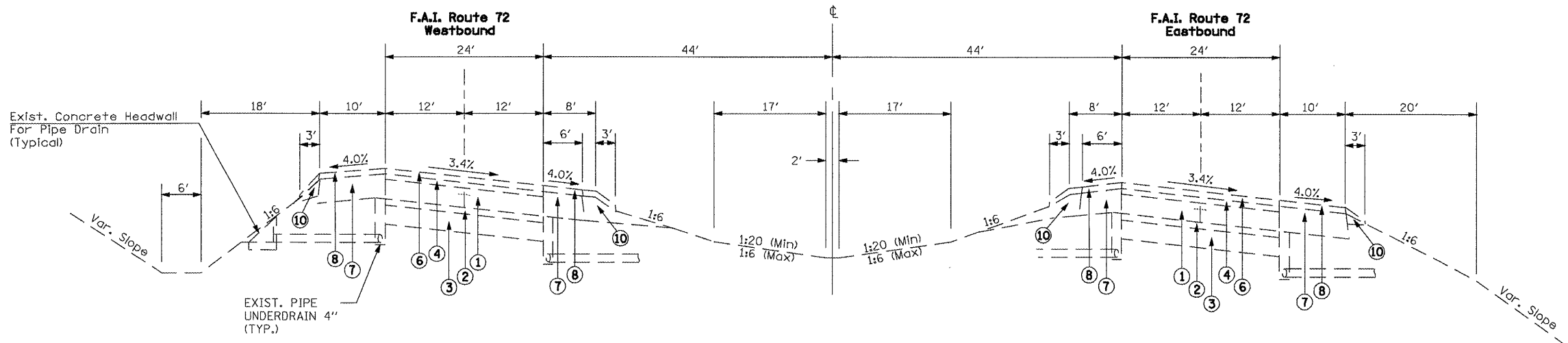


WB Sta. 107+16.06 to Sta. 191+75
 WB Sta. 207+65 to Sta. 217+84
 WB Sta. 233+02 to Sta. 343+79
 WB Sta. 427+15.94 to Sta. 443+19.48
 EQUATION: P.I. Sta. 443+19.48 BK
 P.I. Sta. 10+03.94 AHD.
 WB Sta. 10+03.94 to Sta. 22+74.37

1 TYPICAL TANGENT SECTION
 EXISTING HMA 3 1/4"

EB Sta. 106+86.47 to Sta. 189+84.28
 EB Sta. 233+02 to Sta. 338+77
 EB Sta. 426+87.44 to Sta. 443+19.48
 EQUATION: P.I. Sta. 443+19.48 BK
 P.I. Sta. 10+03.94 AHD.
 EB Sta. 10+03.94 to Sta. 26+47.25

- 1 EXISTING CONTINUOUSLY REINFORCED P.C.C. PAVEMENT 8" (1975)
- 2 EXISTING STABILIZED SUB-BASE ON EARTH BASE 4"
- 3 EXISTING GRANULAR SUB-BASE 8" OR 12" (SPOT LOCATIONS)
- 4 EXISTING HMA CONCRETE 2 1/2" (DATE UNKNOWN)
- 5 EXISTING HMA BINDER COURSE 1 3/4" (1996)
- 6 EXISTING HMA SURFACE COURSE 1 1/2" (1996)
- 7 EXISTING HMA SHOULDER
- 8 EXISTING HMA SHOULDER 1 1/2" (1996)
- 9 EXISTING HMA SHOULDER 3 1/4" (1996)
- 10 EXISTING AGGREGATE SHOULDER, TYPE B



SUPERELEVATION TRANSITION **1-3**
 WB Sta. 191+75 to Sta. 194+15
 (Existing Resurfacing BEGINS WB Sta 192+35)
 WB Sta. 194+15 to Sta. 199+17.81
 OMISSION STA. 199+17.81 TO STA. 201+33.78
 WB Sta. 201+33.78 to Sta. 204+27
 SUPERELEVATION TRANSITION **3-2**
 WB Sta. 204+27 to Sta. 206+67

3 EXISTING SUPERELEVATED SECTION
 EXISTING HMA 4"

SUPERELEVATION TRANSITION **2-3**
 EB Sta. 191+75 to Sta. 194+15
 WB Sta. 194+15 to Sta. 198+64.60
 OMISSION STA. 198+64.60 TO STA. 200+82.53
 WB Sta. 200+82.53 to Sta. 204+27
 SUPERELEVATION TRANSITION **3-2**
 WB Sta. 204+27 to Sta. 206+67

- 20 PROPOSED HMA SURFACE REMOVAL 1 1/2"
- 21 PROPOSED HMA SURFACE REMOVAL 2 1/4"
- 22 PROPOSED HMA SURFACE REMOVAL 3 1/4"
- 23 PROPOSED HMA SURFACE REMOVAL 4"
- 24 PROPOSED BITUMINOUS MATERIALS (PRIMECOAT)
- 25 PROPOSED AGGREGATE (PRIMECOAT)
- 26 PROPOSED HMA BINDER COURSE (2 1/4")
- 27 PROPOSED HMA SURFACE COURSE (1 1/2")
- 28 PROPOSED HMA SHOULDERS (2")
- 29 PROPOSED AGGREGATE SHOULDER, TYPE B

• 86-10RS-3, 69-6RS-2, 69-1RS
 ** SCOTT, MORGAN

FILE NAME =	USER NAME = laughlinc1	DESIGNED -	REVISED -
ca:\pwwork\pwwid\l\LAUGHLIN\l\0196700\0372A16-shit-typtical.dgn		DRAWN -	REVISED -
		CHECKED -	REVISED -
		DATE -	REVISED -

STATE OF ILLINOIS
 DEPARTMENT OF TRANSPORTATION

EXISTING FAI 72 TYPICAL SECTIONS			
SCALE:	SHEET NO.	OF SHEETS	STA. TO STA.

F.A.I. RTE.	SECTION	COUNTY	TOTAL SHEETS	SHEET NO.
72	.	**	48	10
CONTRACT NO. 72A16				
ILLINOIS FED. AID PROJECT				