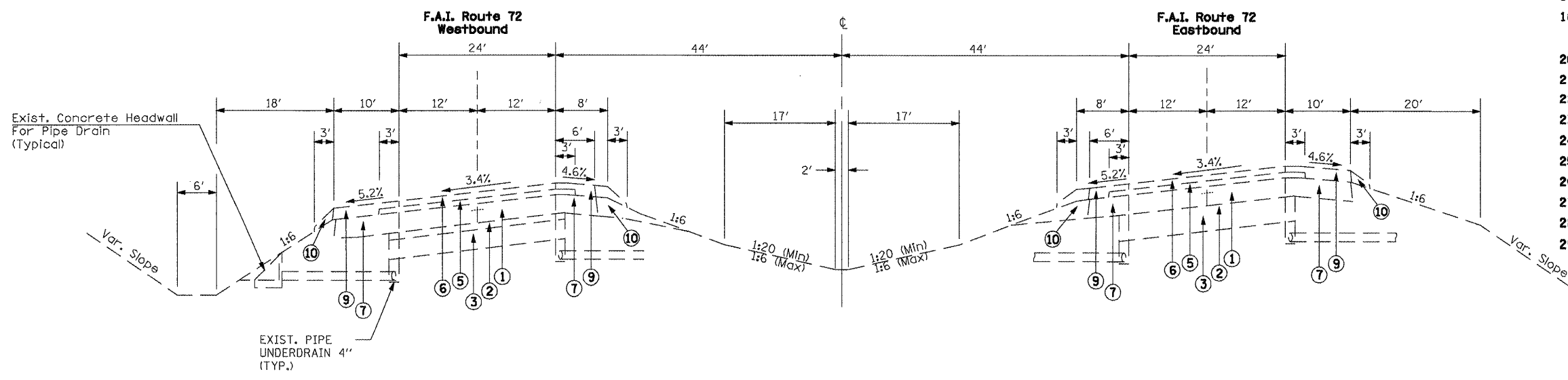


WB Sta. 206+67 to Sta. 207+65  
WB Sta. 343+79 to Sta. 427+15.94

**2** TYPICAL TANGENT SECTION  
EXISTING HMA 4"

EB Sta. 189+84.28 to Sta. 191+75  
EB Sta. 206+67 to Sta. 217+84  
EB Sta. 338+77 to Sta. 426+87.44



SUPERELEVATION TRANSITION **1**-**4**  
WB Sta. 217+84 to Sta. 220+24

**4** EXISTING SUPERELEVATED SECTION  
EXISTING HMA 3 1/4"

WB Sta. 220+24 to Sta. 230+62

SUPERELEVATION TRANSITION **4**-**1**  
WB Sta. 230+62 to Sta. 233+02

SUPERELEVATION TRANSITION **2**-**4**  
EB Sta. 217+84 to Sta. 220+24  
(Existing Resurfacing ENDS EB Sta 219+14.5)

EB Sta. 220+24 to Sta. 230+62

SUPERELEVATION TRANSITION **4**-**1**  
EB Sta. 230+62 to Sta. 233+02

- 1 EXISTING CONTINUOUSLY REINFORCED P. C. C. PAVEMENT 8" (1975)
- 2 EXISTING STABILIZED SUB-BASE ON EARTH BASE 4"
- 3 EXISTING GRANULAR SUB-BASE 8" OR 12" (SPOT LOCATIONS)
- 4 EXISTING HMA CONCRETE 2 1/2" (DATE UNKNOWN)
- 5 EXISTING HMA BINDER COURSE 1 3/4" (1996)
- 6 EXISTING HMA SURFACE COURSE 1 1/2" (1996)
- 7 EXISTING HMA SHOULDER
- 8 EXISTING HMA SHOULDER 1 1/2" (1996)
- 9 EXISTING HMA SHOULDER 3 1/4" (1996)
- 10 EXISTING AGGREGATE SHOULDER, TYPE B
  
- 20 PROPOSED HMA SURFACE REMOVAL 1 1/2"
- 21 PROPOSED HMA SURFACE REMOVAL 2 1/4"
- 22 PROPOSED HMA SURFACE REMOVAL 3 1/4"
- 23 PROPOSED HMA SURFACE REMOVAL 4"
- 24 PROPOSED BITUMINOUS MATERIALS (PRIMECOAT)
- 25 PROPOSED AGGREGATE (PRIMECOAT)
- 26 PROPOSED HMA BINDER COURSE (2 1/4")
- 27 PROPOSED HMA SURFACE COURSE (1 1/2")
- 28 PROPOSED HMA SHOULDERS (2")
- 29 PROPOSED AGGREGATE SHOULDER, TYPE B

• 86-10RS-3, 69-6RS-2, 69-1RS  
•• SCOTT, MORGAN

FILE NAME =	USER NAME = laughlinr1	DESIGNED -	REVISED -	<b>STATE OF ILLINOIS DEPARTMENT OF TRANSPORTATION</b>	<b>EXISTING FAI 72 TYPICAL SECTIONS</b>			F.A.I. RTE.	SECTION	COUNTY	TOTAL SHEETS	SHEET NO.
g:\pwork\p\WID07\LAUGHLINRL\d0196700\072A16-ah-typical.dgn		DRAWN -	REVISED -		72	.	..	48	11			
PLOT SCALE = 20.000' / IN.		CHECKED -	REVISED -		CONTRACT NO. 72A16							
PLOT DATE = Apr-26-2010 10:24:27AM		DATE -	REVISED -		ILLINOIS FED. AID PROJECT							
				SCALE: SHEET NO. OF SHEETS STA. TO STA.								