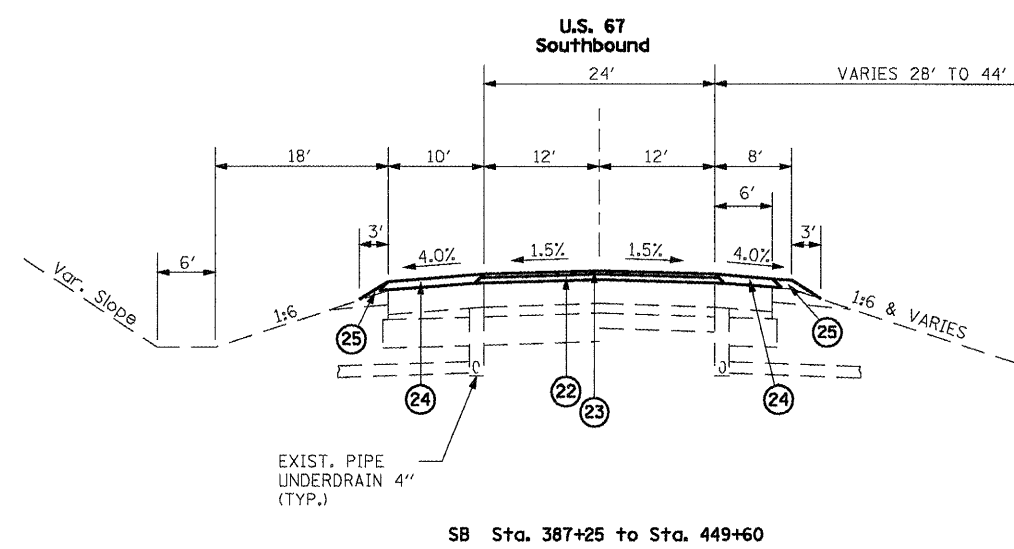
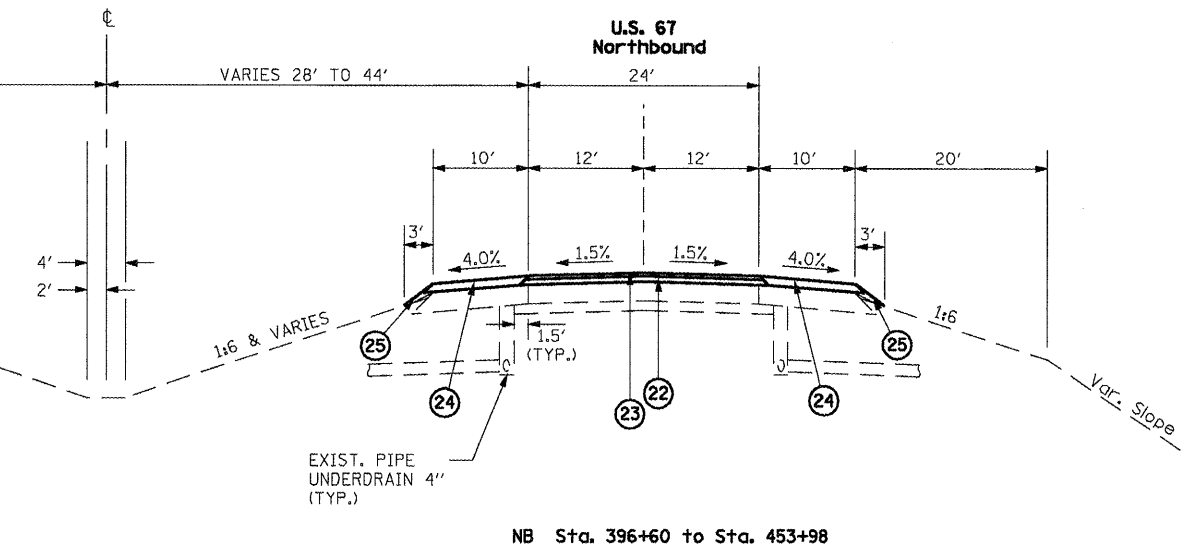


- 1 EXISTING CONTINUOUSLY REINFORCED P.C.C. PAVEMENT 8"
- 2 EXISTING P.C.C. PAVEMENT (JOINTED) 10"
- 3 EXISTING STABILIZED SUB-BASE 4"
- 4 EXISTING LIME MODIFIED SOILS 12"
- 5 EXISTING P.C.C. SHOULDERS 10"
- 6 EXISTING SUBBASE GRANULAR MATERIAL, TYPE C
- 7 EXISTING AGGREGATE SHOULDER, TYPE A 6"
- 8 EXISTING P.C.C. SHOULDERS 8"
- 9 EXISTING HMA RESURFACING (THICKNESS VARIES 1 1/4" TO 3")
- 10 EXISTING HMA SHOULDERS 8"
- 11 EXISTING AGGREGATE SHOULDERS

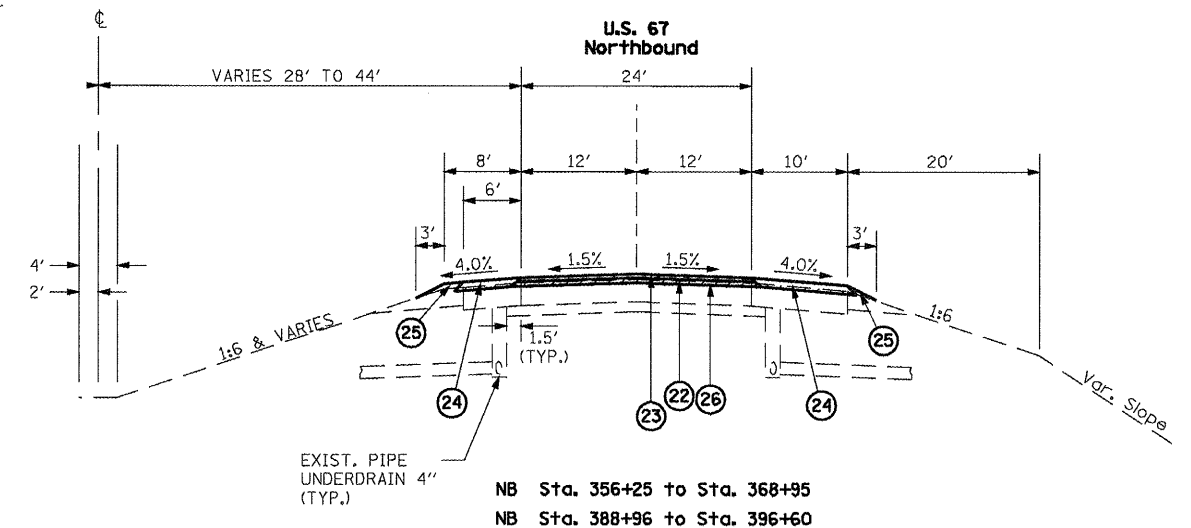
- 20 PROPOSED BITUMINOUS MATERIALS (PRIMECOAT)
- 21 PROPOSED AGGREGATE (PRIMECOAT)
- 22 PROPOSED HMA BINDER COURSE (2 1/4")
- 23 PROPOSED HMA SURFACE COURSE (1 1/2")
- 24 PROPOSED HMA SHOULDERS (3 3/4")
- 25 PROPOSED AGGREGATE SHOULDER, TYPE B
- 26 PROPOSED HMA SURFACE REMOVAL, VARIABLE DEPTH (REMOVE DOWN TO ORIGINAL PCC SURFACE.)



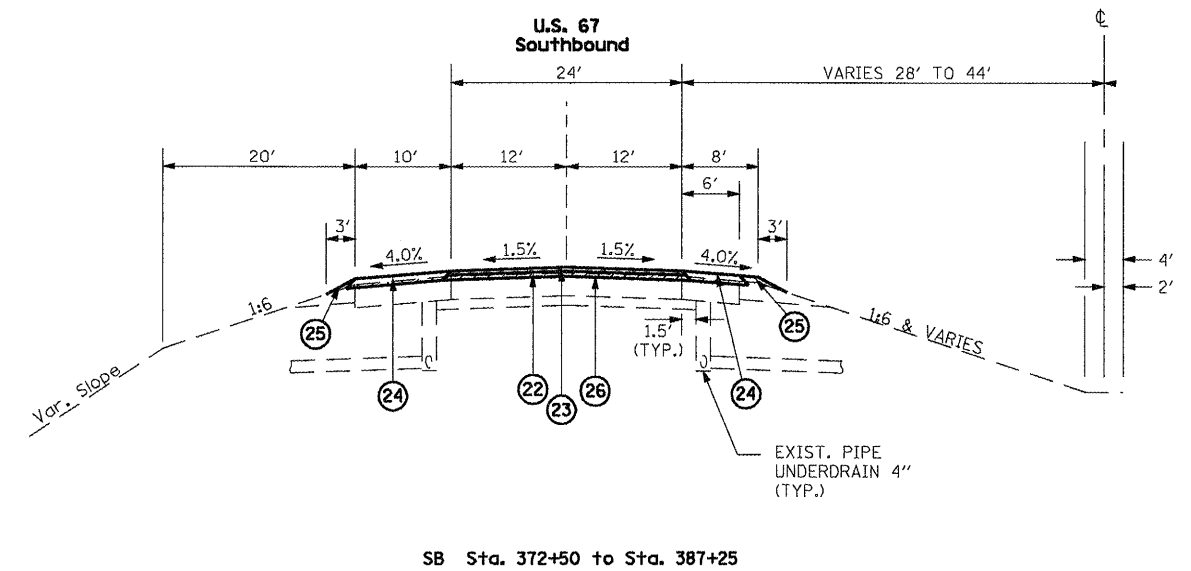
SB Sta. 387+25 to Sta. 449+60



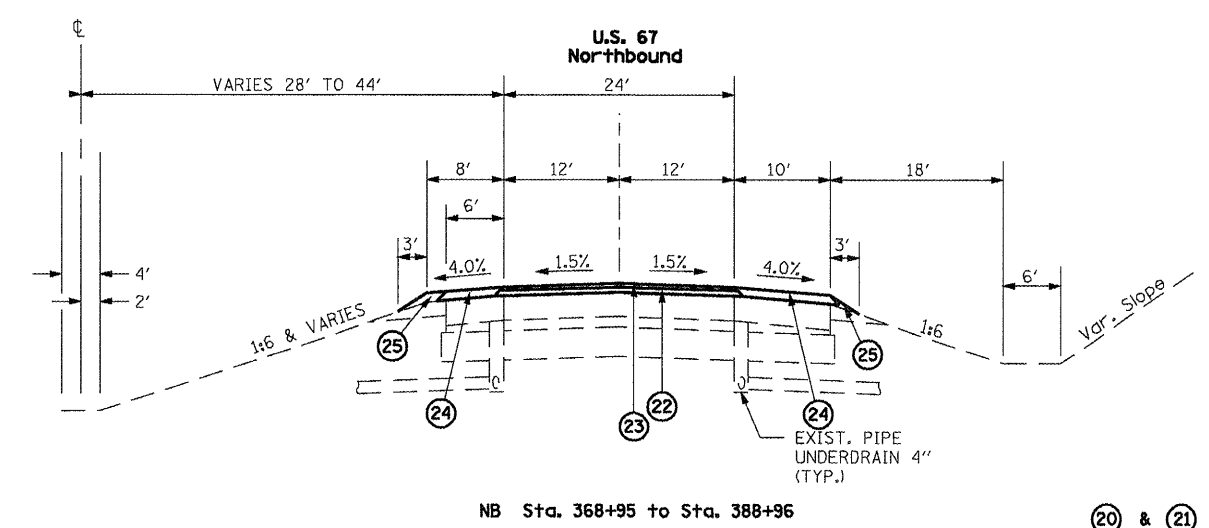
NB Sta. 396+60 to Sta. 453+98



NB Sta. 356+25 to Sta. 368+95
NB Sta. 388+96 to Sta. 396+60



SB Sta. 372+50 to Sta. 387+25



NB Sta. 368+95 to Sta. 388+96

②① & ②② - TO BE APPLIED TO ALL EXISTING HMA SURFACES

• 86-10RS-3, 69-6RS-2, 69-1RS
• SCOTT, MORGAN

FILE NAME =	USER NAME = laughtlrv1	DESIGNED -	REVISED -
ca\pwwork\pwwid\01\LAUGH\LNRL\02196700\672A16-shrt-typcal.dgn		DRAWN -	REVISED -
		CHECKED -	REVISED -
		DATE -	REVISED -

**STATE OF ILLINOIS
DEPARTMENT OF TRANSPORTATION**

PROPOSED US 67 TYPICAL SECTIONS			
SCALE:	SHEET NO.	OF SHEETS	STA. TO STA.

F.A.I. RTE.	SECTION	COUNTY	TOTAL SHEETS	SHEET NO.
72		**	48	15
CONTRACT NO. 72A16				
ILLINOIS FED. AID PROJECT				