

EXISTING STRUCTURE: S.N. 069-0054, originally constructed in 1976 as FA Route 408 Sec. 69-6HB-1 at Station 394+00.00, using 54" welded steel I-girders with 7" concrete deck and 1 1/2" bituminous wearing surface, 2 spans (plus abutment spans), 297'-8" back-back approach bents, 32'-0" out-out width, vaulted abutments on concrete piles, multi-column piers with footings on concrete piles. Wearing surface was replaced with concrete overlay (year unknown).

STATE OF ILLINOIS
DEPARTMENT OF TRANSPORTATION

INDEX OF SHEETS

Sheet No.	Description
1	Gen Plan, Gen Notes, Bill of Mat'l

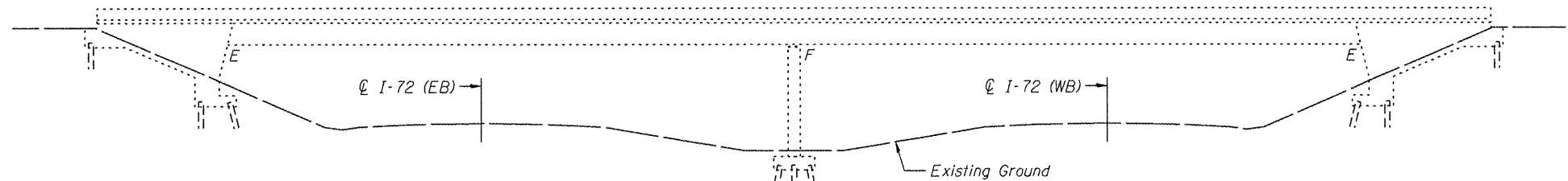
Staged construction shall be used to maintain one lane of traffic.

GENERAL NOTES

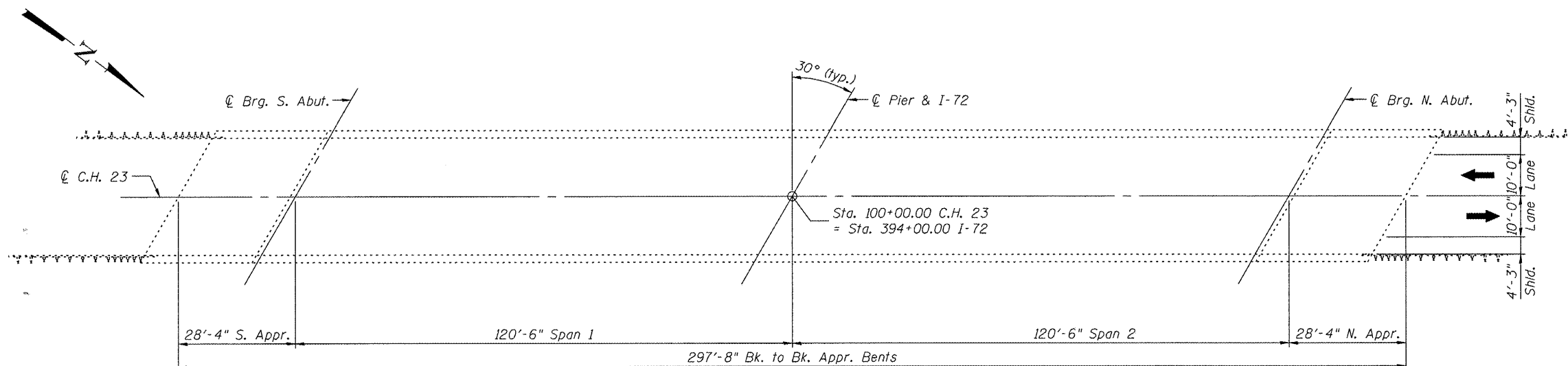
Traffic Control shall be according to Standard 701201.

SCOPE OF WORK:

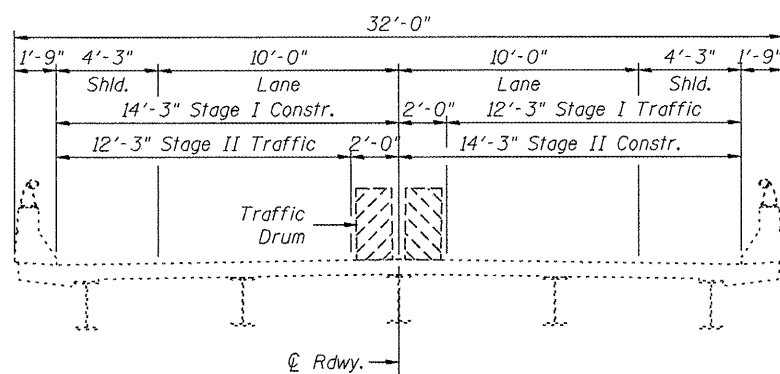
- Remove and replace existing silicone joint sealer at both abutments.



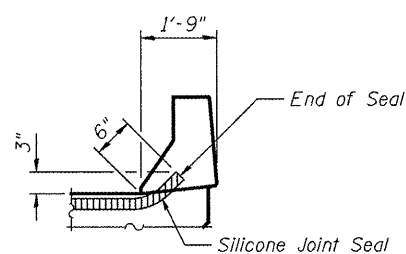
ELEVATION



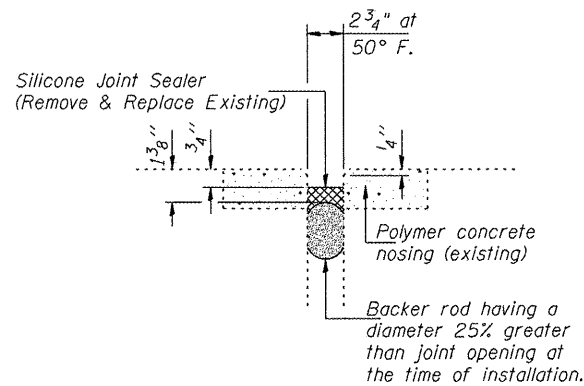
PLAN



CROSS SECTION
(Looking North)



TYPICAL END OF SEAL TREATMENT AT EXPANSION JOINT



SILICONE JOINT SEALER DETAIL
(Typical for both Abutments)

TOTAL BILL OF MATERIAL

ITEM	UNIT	SUPER	SUB	TOTAL
Silicone Joint Sealer, 2 3/4"	Foot	68	--	68



GENERAL PLAN & ELEVATION
C.H. 23 OVER INTERSTATE 72
FAI RTE. 72 SECTION 69-6(RS-2)
MORGAN COUNTY
STATION 394+00.00
STRUCTURE NO. 069-0054

SHEET	F.A.I. RTE.	SECTION	COUNTY	TOTAL SHEETS	SHEET NO.
1	72	69-6(RS-2)	MORGAN	48	42
OF 1		STA. 394+00.00			CONTRACT NO. 72A16
		FED. ROAD DIST. NO.	ILLINOIS FED. AID PROJECT		

JD Johnson, Depp & Quisenberry
CONSULTING ENGINEERS
Springfield, Illinois



Signed: *David Depp*
Date: *3-30-2010*
Lic. Expires: 11-30-2010

DESIGNED: JDO	DRAWN: SJS
CHECKED: DCD	CHECKED: DCD

DATE: 03/30/2010 16:02:40 USER: DCD FILE: J:\JDO\1085 IL\069\069-0054-72A16-001-gplan.dgn