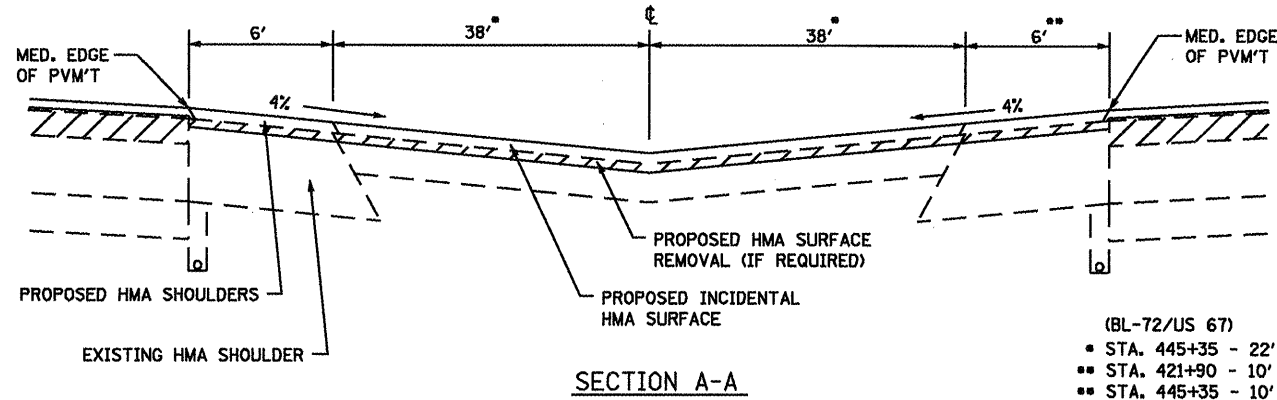
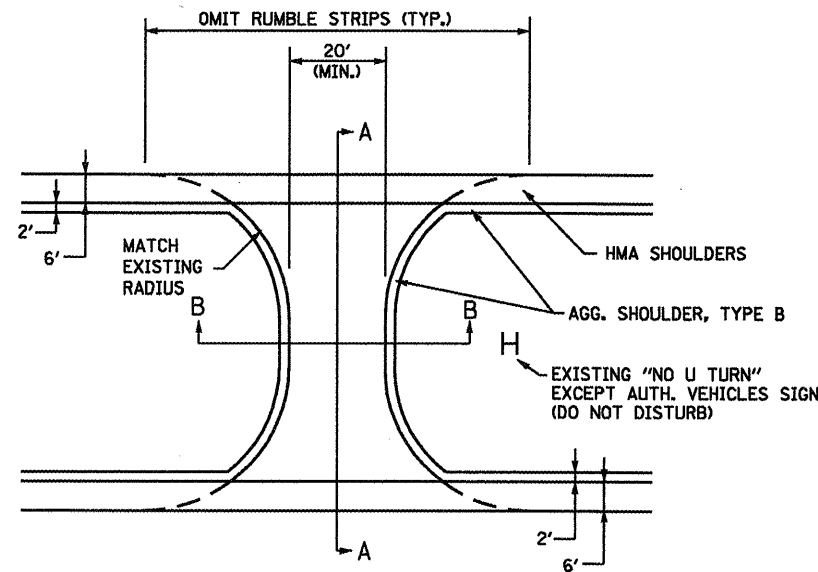
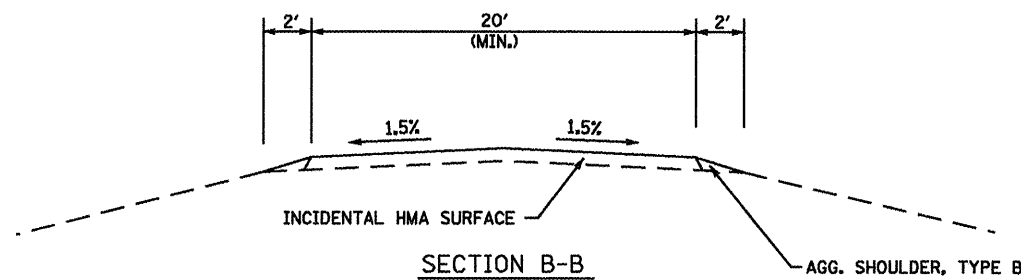


MEDIAN CROSS-OVER DETAIL



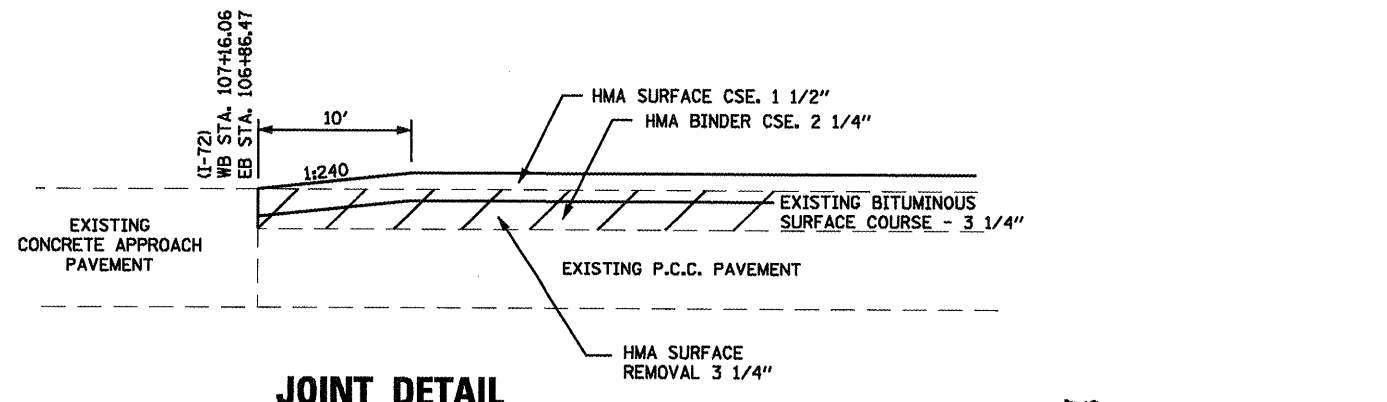
SECTION A-A

(BL-72/US 67)
 • STA. 445+35 - 22'
 •• STA. 421+90 - 10'
 ••• STA. 445+35 - 10'

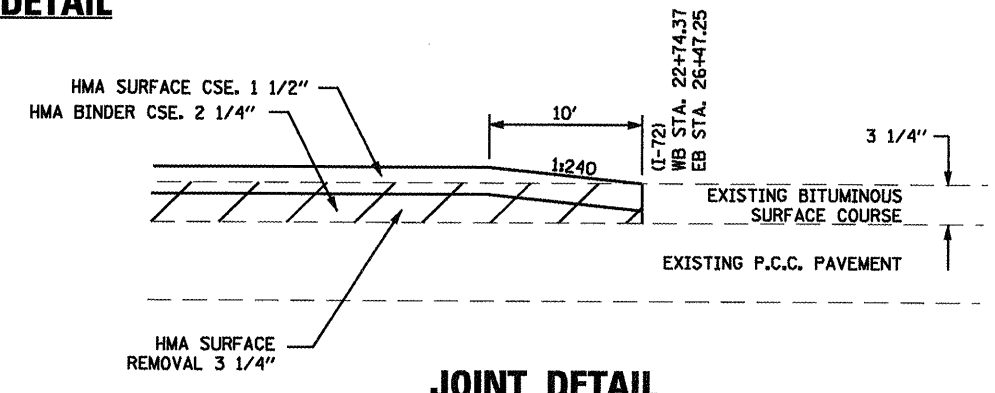


SECTION B-B

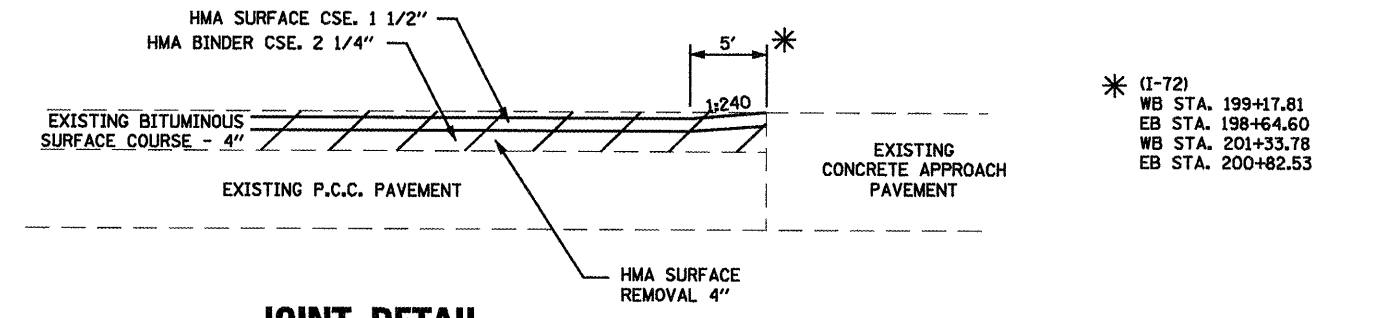
LOCATION	PROP. HMA SURF. REM.	PROP. INCIDENTAL HMA THICKNESS
(I-72)		
STA. 260+77	1 1/2"	2"
STA. 435+00	1 1/2"	2"
(BL-72/US 67)		
STA. 360+41	--	3 3/4"
STA. 384+16	--	3 3/4"
STA. 421+90	--	3 3/4"
STA. 445+35	--	3 3/4"



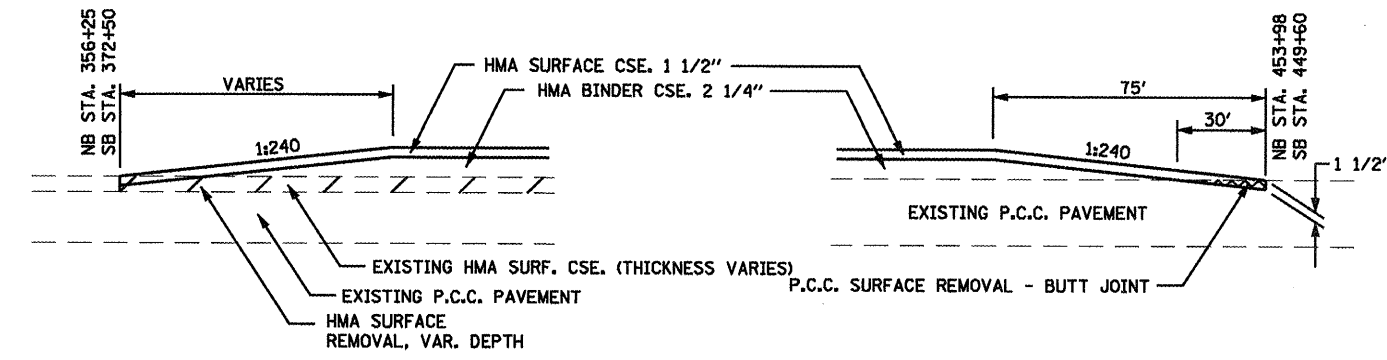
JOINT DETAIL



JOINT DETAIL



JOINT DETAIL



JOINT DETAIL

BUTT JOINT DETAIL - PCC

• 86-10RS-3, 69-6RS-2, 69-1RS
 •• SCOTT, MORGAN

FILE NAME =	USER NAME = joughlinr1	DESIGNED -	REVISED -
ei:\pwwork\pwwid07\LAUGHILINRL\d0196700\072A16-Sht-details.dgn		DRAWN -	REVISED -
		CHECKED -	REVISED -
		DATE -	REVISED -

STATE OF ILLINOIS
 DEPARTMENT OF TRANSPORTATION

MEDIAN CROSSOVER, BUTT JOINT
 & JOINT DETAILS

F.A.I. RTE.	SECTION	COUNTY	TOTAL SHEETS	SHEET NO.
72			48	48
FED. ROAD DIST. NO.			ILLINOIS FED. AID PROJECT	
			CONTRACT NO. 72A16	

SCALE: SHEET NO. OF SHEETS STA. TO STA.