

STA 531+66.60 TO STA 536+85.00  
 STA 539+50.00 TO STA 549+69.08  
 STA 559+35.71 TO STA 583+50.00

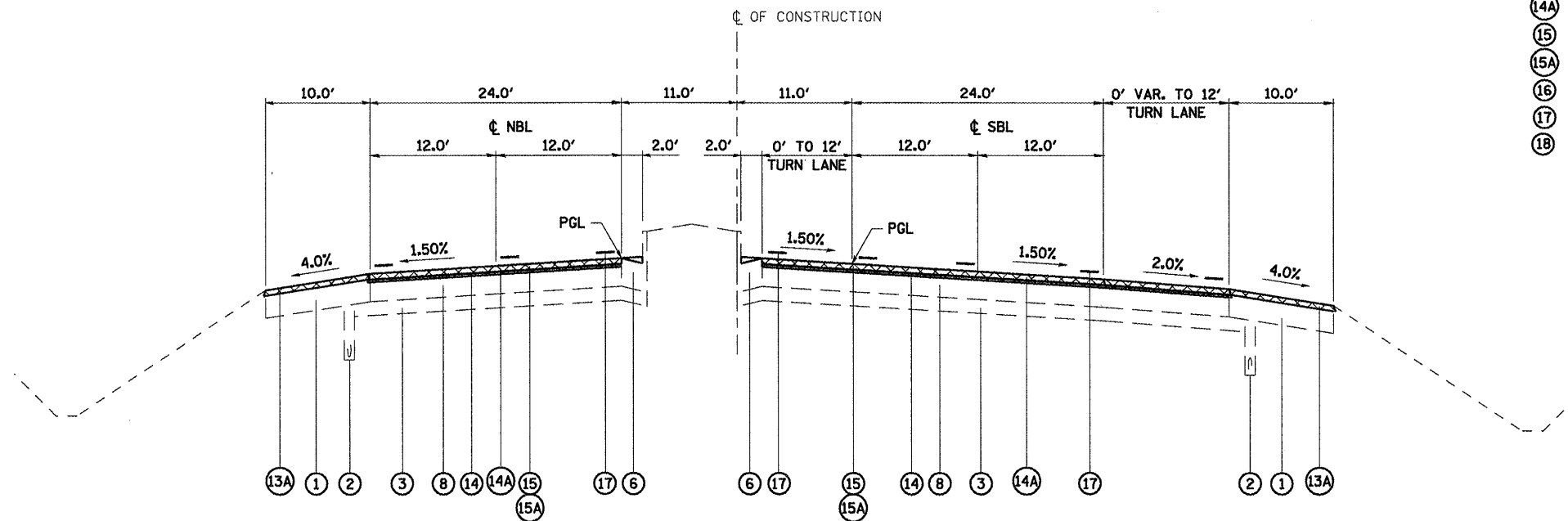
15A USED ONLY FROM STA 559+35.71 TO STA 560+00.00

STATION EQUATION:  
 STA. 535+21.46 (BK) = STA. 535+20.39 (AH)

STRUCTURE NO. 084-0168 OMISSION  
 STA 572+57.50 TO STA 573+62.50  
 STRUCTURE NO. 084-0169 OMISSION  
 STA 579+65.11 TO STA 581+80.60

LEGEND

- 1 EX HOT-MIX ASPHALT SHOULDERS, 10 1/2"
- 2 EX PIPE UNDERDRAIN
- 3 EX STABILIZED SUBBASE 4"
- 4 EX PCC PAVEMENT 9"-6"-9"
- 5 EX HOT-MIX ASPHALT SURFACE, 2 1/2"
- 6 EX CONCRETE CURB & GUTTER B 9.24
- 7 EX CONCRETE CURB & GUTTER B 6.24
- 7A EX CONCRETE CURB & GUTTER M6.06
- 8 EX PCC PAVEMENT 8"
- 9 EX PCC BASE COURSE 9"
- 10 EX COMBINATION CURB & GUTTER TYPE B 6.18
- 11 EX SUBBASE GRANULAR MATERIAL, TYPE B 12" & VAR.
- 12 EX HOT-MIX ASPHALT CONCRETE BASE COURSE 10"
- 13 EX HOT-MIX ASPHALT CONCRETE SURFACE COURSE, MIX E, CLASS 1, TYPE 2
- 13A PR PAVED SHOULDER REMOVAL, 1 1/2"
- 14 PR HOT-MIX ASPHALT SURFACE REMOVAL 2 1/2"
- 14A PR LEVELING BINDER 1"
- 15 PR HOT-MIX ASPHALT SURFACE COURSE, MIX "D", N70 - 1 1/2"
- 15A PR HOT-MIX ASPHALT SURFACE COURSE, POLYMER MIX "D", N70 - 1 1/2"
- 16 PR HOT-MIX ASPHALT SHOULDERS, 8"
- 17 PR PAVEMENT MARKING, LINE 5"
- 18 PCC SIDEWALK



15A USED ONLY FROM STA 549+00.00 TO STA 560+00.00

STA 536+85.00 TO STA 539+50.00  
 STA 549+69.08 TO STA 555+00.00

FILE NAME =	USER NAME = laughlinr1	DESIGNED -	REVISED -	<b>STATE OF ILLINOIS DEPARTMENT OF TRANSPORTATION</b>	<b>TYPICAL SECTIONS - SECTION "A" IL 29 (OLD IL 29 - J. DAVID JONES PKWY/WALNUT ST)</b>	F.A.P. RTE. =	SECTION	COUNTY	TOTAL SHEETS	SHEET NO.
ct:\pvt\work\pwwid\LAUGHLINR1\dms47718\572C35-sh-typical-1129.dgn	DRAWN -	REVISED -	658				SANGAMON	206	39	
PLOT SCALE = 1/8" = 1' IN.	CHECKED -	REVISED -	CONTRACT NO. 72C35							
PLOT DATE = Apr-30-2010 11:14:52AM	DATE -	REVISED -	ILLINOIS FED. AID PROJECT							
					SCALE:	SHEET NO. 1 OF 9 SHEETS		STA.	TO STA.	