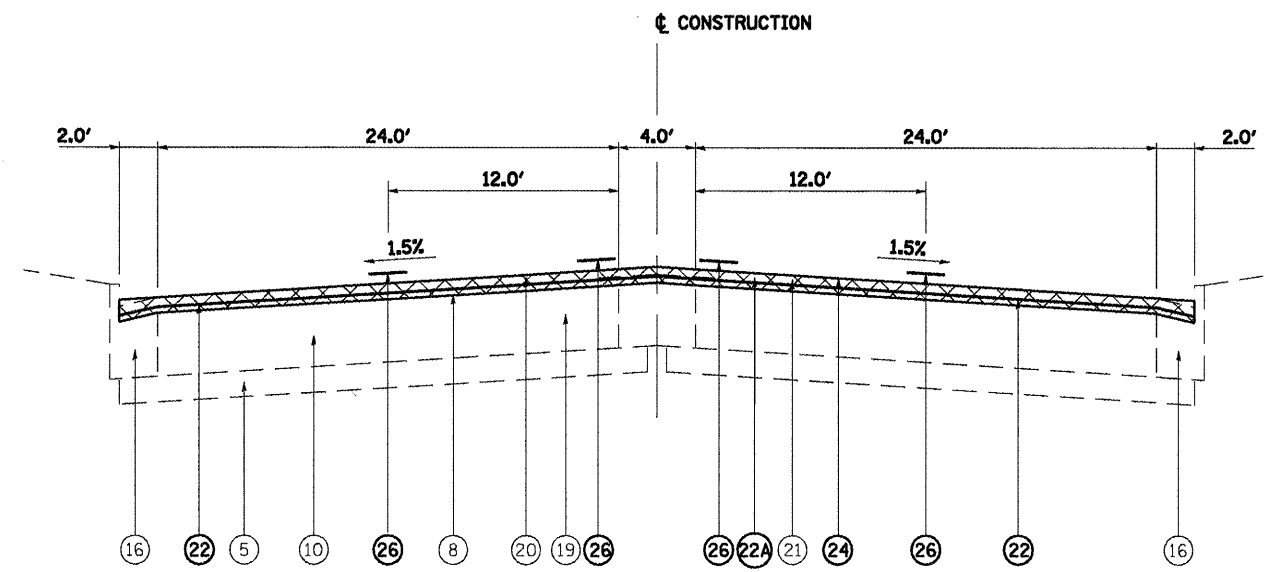
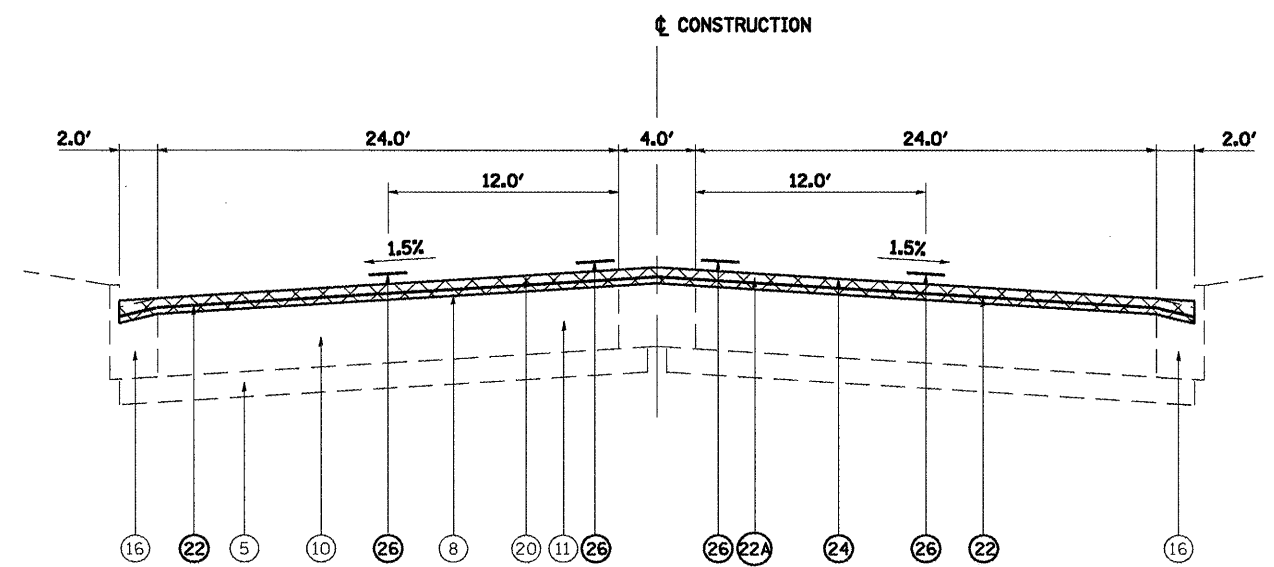


**LEGEND**

- ① EXISTING CONCRETE BASE COURSE FOR BRICK FOUNDATION, DEPTH UNKNOWN
- ② EXISTING PCC BASE COURSE (9")
- ③ EXISTING PCC BASE COURSE (10")
- ④ EXISTING CONCRETE BASE COURSE FOR TROLLEY CAR RAIL BED, DEPTH UNKNON
- ⑤ EXISTING STABILIZED SUB-BASE (4")
- ⑥ EXISTING SUB-BASE GRANULAR MATERIAL (4")
- ⑦ EXISTING SUB-BASE GRANULAR MATERIAL, TY A (12")
- ⑧ EXISTING LEVELING BINDER (MACHINE METHOD), (1")
- ⑨ EXISTING BRICK PAVEMENT
- ⑩ EXISTING PCC PAVEMENT (10")
- ⑪ EXISTING HOT-MIX ASPHALT BASE OR P.C.C. PAVEMENT\*
- ⑫ EXISTING HOT-MIX ASPHALT CONCRETE SURFACE
- ⑬ EXISTING HOT-MIX ASPHALT CONCRETE PAVEMENT (FULL DEPTH). TYPE 1, 13 1/2" (11 1/2" BINDER MIXTURE B, TYPE 1; 2" SURFACE, MIXTURE D, CLASS I, TYPE 1
- ⑭ EXISTING TOP SOIL (4")
- ⑮ EXISTING COMBINATION CONCRETE CURB & GUTTER, TY B-6.24
- ⑯ EXISTING COMBINATION CONCRETE CURB & GUTTER, TY B-15.60
- ⑰ EXISTING CONCRETE MEDIAN, TY C4
- ⑱ EXISTING CONCRETE MEDIAN (4")
- ⑲ EXISTING CORRUGATED CONCRETE MEDIAN
- ⑳ EXISTING HOT-MIX ASPHALT CONCRETE SURFACE COURSE, (1 1/2")
- ㉑ EXISTING AREA REFLECTIVE CRACK CONTROL TREATMENT
- ㉒ **PROPOSED LEVELING BINDER (1")**
- ㉒A **PROPOSED HOT-MIX ASPHALT SURFACE REMOVAL (2 1/2")**
- ㉓ **PROPOSED HOT-MIX ASPHALT SURFACE REMOVAL (2")**
- ㉔ **PROPOSED HOT-MIX ASPHALT SURFACE COURSE, MIX D, N70 (1 1/2")**
- ㉕ **PROPOSED POLYMER HOT-MIX ASPHALT SURFACE COURSE, MIX D, N70 (2")**
- ㉖ **PROPOSED PAVEMENT MARKING, LINE (5")**



STA. 1+56.70 - 11+25.50



STA. 11+25.50 - 14+50.00

FILE NAME =	USER NAME = laughlinr1	DESIGNED -	REVISED -	<b>STATE OF ILLINOIS DEPARTMENT OF TRANSPORTATION</b>	<b>TYPICAL SECTIONS SECTION "C" (I 55 - PEORIA RD)</b>	F.A.P. RTE.	SECTION	COUNTY	TOTAL SHEETS	SHEET NO.
et\pwwork\XPWIDOT\LAUGHLINRL\dms47710\0372C35-shr-typicals-155-PeoriaRd.dgn	DRAWN -	REVISED -	658				SANGAMON	206	60	
PLOT SCALE = 1/8" = 1' / IN.	CHECKED -	REVISED -							CONTRACT NO. 72C35	
PLOT DATE = May-03-2010 11:28:52AM	DATE -	REVISED -							ILLINOIS FED. AID PROJECT	
						SCALE:	SHEET NO. 3 OF 3 SHEETS	STA.	TO STA.	