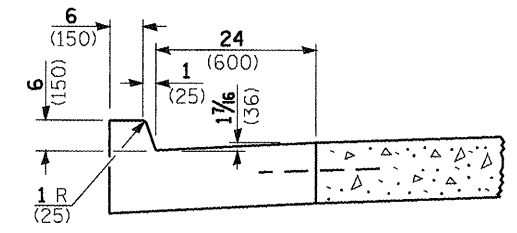
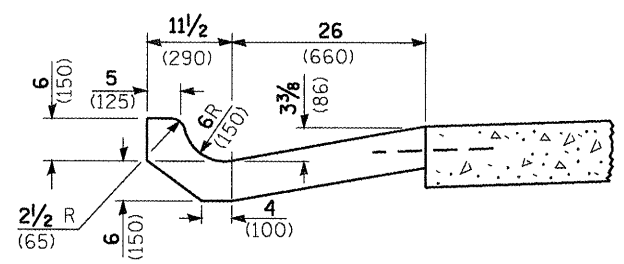


Welded wire fabric weighing not less than 58 lbs./100 sq. ft. (2.83 kg/m<sup>2</sup>) to begin here.

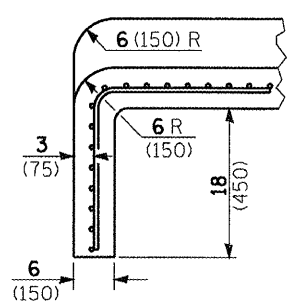
PLAN



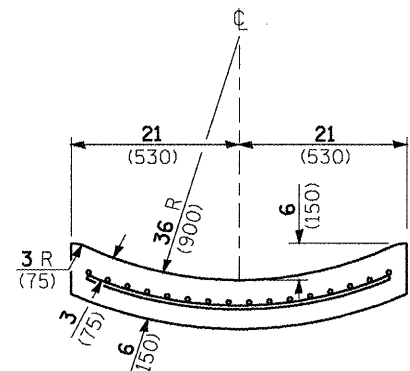
SECTION A-A



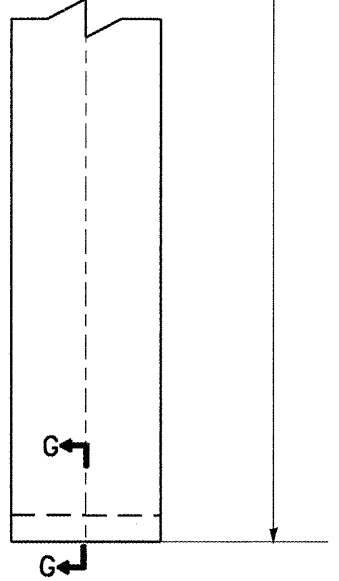
SECTION B-B



SECTION G-G



SECTION F-F



STANDARD OUTLET

GENERAL NOTES

Tie bars shall be No. 6 (No. 19) at 24 (600) centers unless otherwise shown.

Gutter outlet shall be tied to the pavement in accordance with details for longitudinal construction joint shown on Standard 420001.

The Gutter outlet shall follow the existing roadway foreslope. The Earth Excavation shall be included in the cost of the CLASS I CONCRETE (OUTLET).

All dimensions are in Inches (millimeters) unless otherwise shown.

**OUTLETS FOR CONC. CURB AND GUTTER TYPE B-6.24 (B-15.60)**

FILE NAME =	USER NAME = loughlinc1	DESIGNED -	REVISED -	<b>STATE OF ILLINOIS DEPARTMENT OF TRANSPORTATION</b>	<b>CLASS SI CONCRETE OUTLET DETAIL</b>			F.A.P. RTE.	SECTION	COUNTY	TOTAL SHEETS	SHEET NO.
en:\pwork\pwork\WIDOT\LAUGHLIN\l\dm47718\	S72C35-shr-outlet-detail.dgn	DRAWN -	REVISED -		662	.	SANGAMON	206	205			
PLOT SCALE = 40.0000' / IN.		CHECKED -	REVISED -		SCALE: SHEET NO. OF SHEETS STA. TO STA.			CONTRACT NO.				
PLOT DATE = Apr-30-2010 07:06:10AM		DATE -	REVISED -		ILLINOIS FED. AID PROJECT							