

STATION EQUATIONS

- ① STA. 255+48.03 (BK) = STA. 255+42.57 (AH)
IL 4 (VETERANS PARKWAY)
- ② STA. 282+90.26 (BK) = STA. 382+90.26 (AH)
SOUTHBOUND LANES, IL 4 (VETERANS PARKWAY)
- ③ STA. 282+90.27 (BK) = STA. 482+90.26 (AH)
NORTHBOUND LANES, IL 4 (VETERANS PARKWAY)
- ④ STA. 15+17.25 (BK) = STA. 144+00.00 (AH)
BL-55 (PEORIA RD.)
- ⑤ STA. 78+45.12 (BK) = STA. 1+56.70 (AH)
BL-55 (PEORIA RD.)
- ⑥ STA. 644+98.50 (BK) = STA. 6+00.00 (AH)
OLD IL 29 (WALNUT ST./J. DAVID JONES PKWY)
- ⑦ STA. 612+16.70 (BK) = STA. 612+15.95 (AH)
OLD IL 29 (WALNUT ST./J. DAVID JONES PKWY)
- ⑧ STA. 535+21.46 (BK) = STA. 535+20.39 (AH)
IL 29 (WALNUT ST./J. DAVID JONES PKWY)

ADT 10126

FAP 666 (I-55 /PEORIA RD.)

%PV=95.3

%SU=3.4

%MU=1.3

ADT 13982

FAP 662 (IL 4 /VETERANS PKWY)

%PV=94.3

%SU=3.6

%MU=2.1

ADT 18300

FAP 662 (IL 4/IL 29 INTERSECTION)

%PV=94.3

%SU=3.4

%MU=2.3

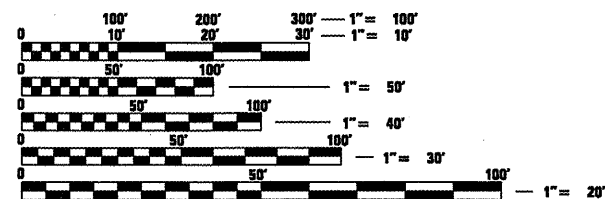
ADT 10256

FAP 658 (OLD IL 29)

%PV=95.3

%SU=2.8

%MU=1.9



FULL SIZE PLANS HAVE BEEN PREPARED USING STANDARD ENGINEERING SCALES. REDUCED SIZED PLANS WILL NOT CONFORM TO STANDARD SCALES. IN MAKING MEASUREMENTS ON REDUCED PLANS, THE ABOVE SCALES MAY BE USED.

J.U.L.I.E.
JOINT UTILITY LOCATION INFORMATION FOR EXCAVATION
1-800-892-0123
OR 811

PROJECT ENGINEER: JOHN NEGANGARD (217) 782-6990

PROJECT MANAGER: JULIET SHOULTZ (217) 785-2739

CONTRACT NO. 72C35

STATE OF ILLINOIS
DEPARTMENT OF TRANSPORTATION
DIVISION OF HIGHWAYS
PROPOSED
HIGHWAY PLANS

FAP ROUTE 658, 662, 666
SECTION 1-1(RS, TS-1); 27RS-6; 102RS-4

RESURFACING & INTERSECTION IMPROVEMENT
SANGAMON COUNTY

FOR INDEX OF SHEETS, SEE SHEET NO. 2

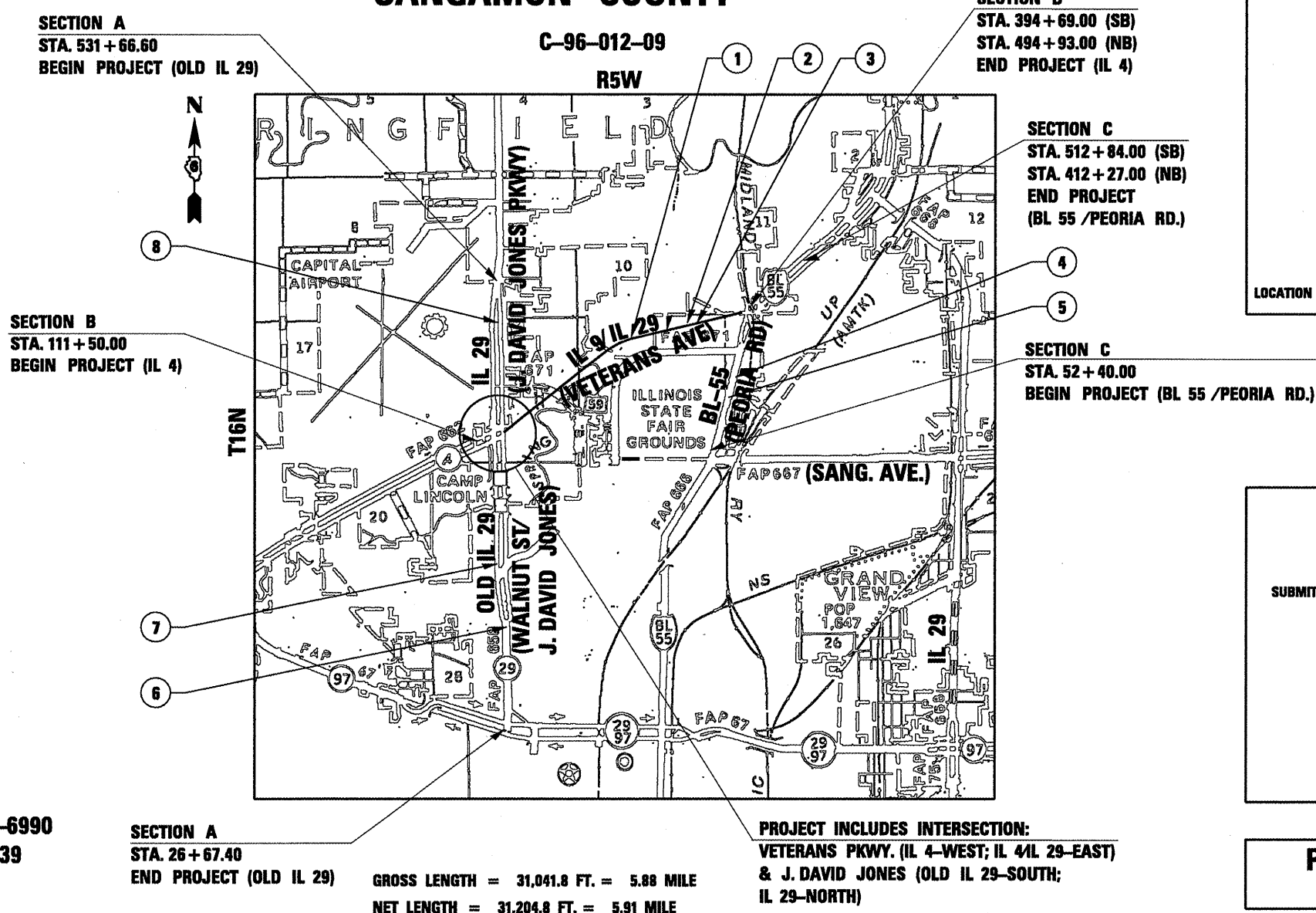
F.A.P. RTE.	SECTION	COUNTY	TOTAL SHEETS	SHEET NO.
658		SANGAMON	206	1
		ILLINOIS	CONTRACT NO. 72C35	

* 1-IRS, TS-1; 27RS-6; 102RS-4
** 206 + 1 = 207

D-96-012-09



LOCATION OF SECTION INDICATED THUS: -



SECTION A
STA. 531+66.60
BEGIN PROJECT (OLD IL 29)

SECTION B
STA. 394+69.00 (SB)
STA. 494+93.00 (NB)
END PROJECT (IL 4)

SECTION C
STA. 512+84.00 (SB)
STA. 412+27.00 (NB)
END PROJECT
(BL 55 /PEORIA RD.)

SECTION C
STA. 52+40.00
BEGIN PROJECT (BL 55 /PEORIA RD.)

SECTION A
STA. 26+67.40
END PROJECT (OLD IL 29)

GROSS LENGTH = 31,041.8 FT. = 5.88 MILE
NET LENGTH = 31,204.8 FT. = 5.91 MILE

PROJECT INCLUDES INTERSECTION:
VETERANS PKWY. (IL 4-WEST; IL 4/IL 29-EAST)
& J. DAVID JONES (OLD IL 29-SOUTH;
IL 29-NORTH)

STATE OF ILLINOIS
DEPARTMENT OF TRANSPORTATION
DIVISION OF HIGHWAYS

SUBMITTED April 29 2010
Eric Z. Smith
DEPUTY DIRECTOR OF HIGHWAYS, REGION ENGINEER

May 7 2010
Scott E. Stitt, P.E.
Acting ENGINEER OF DESIGN AND ENVIRONMENT

May 7 2010
Christine M. Reedler
DIRECTOR OF HIGHWAYS, CHIEF ENGINEER

PRINTED BY THE AUTHORITY
OF THE STATE OF ILLINOIS

INDEX OF SHEETS

- 1 COVER SHEET
- 2-3 INDEX OF SHEETS, GENERAL NOTES & MIX DESIGN TABLES
- 4-9 SUMMARY OF QUANTITIES
- 10-12 PATCHING SCHEDULES
- 13-19 SCHEDULE OF QUANTITIES - INTERSECTION IMPROVEMENT
- 20-26 SCHEDULE OF QUANTITIES - OLD IL 29 / J. DAVID JONES
- 27-33 SCHEDULE OF QUANTITIES - IL 4 / VETERANS PKWY
- 34-38 SCHEDULE OF QUANTITIES - PEORIA RD.
- 39-47 TYPICAL SECTIONS - OLD IL 29 / J. DAVID JONES
- 48-57 TYPICAL SECTIONS - IL 4 / VETERANS PKWY
- 58-60 TYPICAL SECTIONS - PEORIA RD.
- 61-84 PLAN SHEETS - OLD IL 29 / J. DAVID JONES
- 85-104 PLAN SHEETS - IL 4 / VETERANS PKWY
- 105-117 PLAN SHEETS - PEORIA RD.
- 118-121 INTERSECTION REMOVAL
- 122-125 INTERSECTION ROADWAY
- 126-129 INTERSECTION DRAINAGE
- 130-133 INTERSECTION ELEVATION DETAIL
 - 134 INTERSECTION TIES & BENCHMARKS
- 135-162 CROSS SECTIONS
 - 163 DETOUR SHEET
- 164-170 TRAFFIC STAGING PLANS
- 171-203 TRAFFIC SIGNAL DETAILS
 - 204 WIDE FLANGE BEAM DETAIL
 - 205 CLASS SI CONCRETE OUTLET DETAIL
 - 206 ENTRANCE DETAIL

HIGHWAY STANDARDS

000001-05	701426-03
280001-05	701501-05
420701-02	701602-04
442001-04	701701-06
442101-07	701901-01
442201-03	720001-01
602301-02	720006-02
602401-02	720016-02
602601-02	780001-02
602701-02	781001-03
604066-02	814001-02
604101-01	857001-01
606001-04	862001-01
606006-02	873001-02
606301-04	877011-04
642001-01	877012-01
701101-02	878001-08
701106-06	880001-01
701421-02	880006-01
701422-02	

DISTRICT SIX	
EXAMINED <u>April 26</u> 20 <u>10</u> OPERATIONS ENGINEER	
EXAMINED <u>March 31</u> 20 <u>10</u> PROGRAM DEVELOPMENT ENGINEER	
EXAMINED <u>APRIL 2</u> 20 <u>10</u> PROGRAM IMPLEMENTATION ENGINEER	

COMMITMENTS

COMMITMENTS ARE NOT TO BE ALTERED WITHOUT THE WRITTEN APPROVAL OF ALL PARTIES TO WHICH THE COMMITMENT WAS MADE.

- 1) THE RESIDENT ENGINEER SHALL CONTACT STUDIES AND PLANS CONCERNING ANY MAJOR PLAN CHANGE, TO MAKE SURE NO PREVIOUS COMMITMENTS (NOT LISTED) WERE MADE AFFECTING THE DESIGN AND ALLOW AN IMPROVED DESIGN FOR FUTURE PROJECTS.
- 2) LETTER OF UNDERSTANDING WITH THE CITY OF SPRINGFIELD
- 3) THERE WILL BE NO LANE CLOSURES OR OPEN HOLES DURING THE ILLINOIS STATE FAIR
- 4) THERE WILL BE NO LANE CLOSURES OR OPEN HOLES DURING THE SPRINGFIELD MILE MOTORCYCLE RACES

GENERAL NOTES

WHERE SECTION OR SUBSECTION MONUMENTS ARE ENCOUNTERED, THE ENGINEER SHALL BE NOTIFIED BEFORE SUCH MONUMENTS ARE REMOVED. THE CONTRACTOR SHALL PROTECT AND CAREFULLY PRESERVE ALL PROPERTY MARKS, MONUMENTS, AND PERMANENT SURVEY MARKERS UNTIL THE OWNER, AND AUTHORIZED SURVEYOR OR AGENT HAS WITNESSED OR OTHERWISE REFERENCED THEIR LOCATION.

THE NOMINAL THICKNESS FOR BASE AND SURFACE COURSES ARE SHOWN ON THE TYPICAL SECTIONS, STANDARDS, SCHEDULES, OR SPECIAL DETAILS. THE CONSTRUCTED THICKNESS OF THE ABOVE ITEM SHALL NOT BE LESS THAN 90 PERCENT OF THE NOMINAL THICKNESS AT ANY LOCATION.

THE THICKNESS OF HOT-MIX ASPHALT MIXTURE SHOWN ON THE PLANS IS THE NOMINAL THICKNESS. DEVIATIONS FROM THE NOMINAL THICKNESS WILL BE PERMITTED WHEN SUCH DEVIATION OCCUR DUE TO IRREGULARITIES IN THE EXISTING SURFACE OR BASE ON WHICH THE HOT-MIX ASPHALT MIXTURE IS PLACED.

ANY REFERENCE TO A STANDARD IN THE PLANS SHALL BE INTERPRETED TO MEAN THE EDITION, AS INDICATED BY THE SUB-NUMBER LISTED IN THE INDEX OF SHEETS, OR THE COPY OF THE STANDARD INCLUDED IN THE PLANS.

THE LOCATIONS OF EXISTING WATER MAINS, GAS MAINS, SEWERS, ELECTRIC POWER LINES, TELEPHONE LINES AND OTHER UTILITIES AS SHOWN ON THE PLANS ARE BASED ON THE BEST INFORMATION AVAILABLE, BUT THEY ARE NOT GUARANTEED, ALL UTILITY LOCATIONS SHOWN ARE SUPPLIED BY THE UTILITY COMPANIES. IT IS THE CONTRACTOR'S RESPONSIBILITY TO ASCERTAIN THEIR EXACT LOCATION FROM THE UTILITY COMPANIES AND BY FIELD INSPECTION.

ACCESS MUST BE MAINTAINED TO ALL EXISTING PROPERTIES DURING CONSTRUCTION PER ARTICLE 107.09 UNLESS ARRANGEMENTS ARE MADE IN WRITING BY THE CONTRACTOR WITH THE PROPERTY OWNERS WITH A COPY TO THE ENGINEER FOR SHORT-TERM CLOSURES

ALL ELEVATIONS SHOWN ON THE PLANS ARE ESTABLISHED FROM U.S.G.S. MEAN SEAL LEVEL DATUM.

CONTINUOUS PAVING OPERATIONS ON THE MAIN ROADWAY SHALL BE MAINTAINED AT ALL TIMES DURING THE CONSTRUCTION OF THE HOT-MIX ASPHALT SURFACE. NO INTERRUPTIONS FOR SIDE ROADS, ENTRANCE, TURN LANES, ETC. WILL BE ALLOWED.

THE DISTRICT BUREAU OF OPERATIONS SHALL BE NOTIFIED AT LEAST 14 DAYS PRIOR TO PLACEMENT OF FINAL PAVEMENT MARKINGS. PHONE: (217) 782-7314

FILE NAME =	USER NAME = jonesta	DESIGNED -	REVISED -	STATE OF ILLINOIS DEPARTMENT OF TRANSPORTATION	GENERAL NOTES INDEX OF SHEETS & COMMITMENTS	F.A.P. RTE.	SECTION	COUNTY	TOTAL SHEETS	SHEET NO.	
ct:\pwork\pwidat\jonesta\dms47710\0672	35-sh-tr-gennote.dgn	DRAWN -	REVISED -			658	*	SANGAMON	206	2	
	PLOT SCALE = 48,0000' / IN.	CHECKED -	REVISED -			CONTRACT NO. 72C35					
	PLOT DATE = Apr-29-2010 10:51:51AM	DATE -	REVISED -			SCALE:	SHEET NO. 1 OF 2 SHEETS	STA.	TO STA.	ILLINOIS FED. AID PROJECT	

MIXTURE REQUIREMENTS

The following mixture requirements are applicable for this project:

Location(s):	IL 29 & Old IL 29 (exclude IL 4 intersection)
Mixture Use(s):	Surface
PG:	PG 64-22
Design Air Voids:	4.0% @ N70
Mixture Composition:	IL 9.5 or 12.5
Friction Aggregate:	Mix D

Location(s):	IL 29
Mixture Use(s):	Leveling Binder
PG:	PG64-22
Design Air Voids:	4.0% @ N70
Mixture Composition:	IL 9.5
Friction Aggregate:	N/A

Location(s):	IL 29 Sideroads
Mixture Use(s):	Incidental HMA Surface
PG:	PG64-22
Design Air Voids:	4.0% @ N70
Mixture Composition:	IL 9.5 or 12.5
Friction Aggregate:	Mix D

Location(s):	IL 29/ IL 4 intersection
Mixture Use(s):	HMA Base Course 11 1/2"
PG:	PG64-22
Design Air Voids:	4.0% @ N70
Mixture Composition:	IL 19.0
Friction Aggregate:	N/A

Location(s):	IL 29, IL 4, Peoria Rd.
Mixture Use(s):	Patching
PG:	PG64-22
Design Air Voids:	4.0% @ N70
Mixture Composition:	IL 19.0
Friction Aggregate:	N/A

Location(s):	IL 4 (including IL 29 intersection)
Mixture Use(s):	Surface
PG:	SBS PG 70-28
Design Air Voids:	4.0% @ N70
Mixture Composition:	IL 9.5 or 12.5
Friction Aggregate:	Mix D

Location(s):	IL 4
Mixture Use(s):	HMA Shoulders (2" & 2 1/2")
PG:	PG64-22
Design Air Voids:	4.0% @ N50
Mixture Composition:	IL 9.5 or 12.5
Friction Aggregate:	Mix C

Location(s):	IL 4, west of IL 29
Mixture Use(s):	Leveling Binder
PG:	PG64-22
Design Air Voids:	4.0% @ N70
Mixture Composition:	IL 9.5
Friction Aggregate:	N/A

Location(s):	IL 4 Sideroads
Mixture Use(s):	Incidental HMA Surface
PG:	PG64-22
Design Air Voids:	4.0% @ N70
Mixture Composition:	IL 9.5 or 12.5
Friction Aggregate:	Mix D

RATES OF APPLICATION

THE FOLLOWING RATES OF APPLICATION HAVE BEEN ASSUMED IN CALCULATING PLAN QUANTITIES

PRIMECOAT (HMA)	0.00038 TON/SY
PRIMECOAT (AGG)	0.002 TON/SY
HMA SURFACE COURSE	0.056 TON/SY.IN

Location(s):	Peoria Rd North of IL 4
Mixture Use(s):	Surface
PG:	SBS PG 70-28
Design Air Voids:	4.0% @ N70
Mixture Composition:	IL 9.5 or 12.5
Friction Aggregate:	Mix D

Location(s):	Peoria Rd South of IL 4
Mixture Use(s):	Surface
PG:	PG 64-22
Design Air Voids:	4.0% @ N70
Mixture Composition:	IL 9.5 or 12.5
Friction Aggregate:	Mix D

Location(s):	Peoria Rd
Mixture Use(s):	Leveling Binder
PG:	PG64-22
Design Air Voids:	4.0% @ N70
Mixture Composition:	IL 9.5
Friction Aggregate:	N/A

Location(s):	Peoria Rd. Sideroads
Mixture Use(s):	Incidental HMA Surface
PG:	PG64-22
Design Air Voids:	4.0% @ N70
Mixture Composition:	IL 9.5 or 12.5
Friction Aggregate:	Mix D

* 1-1RS,TS-112TRS-6;79Z&102RS-4

CODE NO.	ITEM	UNIT	URBAN	FAP 658	FAP 662	FAP 666
			CONSTRUCTION CODE: 1000			
			FUNDING: 100% STATE			
			TOTAL	SECTION "A" OLD IL 29	SECTION "B" IL 4	SECTION "C" PEORIA RD
20200100	EARTH EXCAVATION	CU YD	996	--	996	--
20201006	GRADING AND SHAPING SHOULDERS	UNIT	363	--	363	--
25000200	SEEDING, CLASS 2	ACRE	0.23	--	0.23	--
25000400	NITROGEN FERTILIZER NUTRIENT	POUND	14.35	--	14.35	--
25000500	PHOSPHORUS FERTILIZER NUTRIENT	POUND	14.35	--	14.35	--
25000600	POTASSIUM FERTILIZER NUTRIENT	POUND	14.35	--	14.35	--
25000700	AGRICULTURAL GROUND LIMESTONE	TON	0.32	--	0.32	--
25100125	MULCH, METHOD 3	ACRE	0.23	--	0.23	--
28000250	TEMPORARY EROSION CONTROL SEEDING	POUND	200	--	200	--
28000500	INLET AND PIPE PROTECTION	EACH	24	--	24	--
28100105	STONE RIPRAP, CLASS A3	SQ YD	61	--	61	--
28200200	FILTER FABRIC	SQ YD	61	--	61	--
31100100	SUB-BASE GRANULAR MATERIAL, TYPE A	TON	1,965	--	1,965	--
31101900	SUB-BASE GRANULAR MATERIAL, TYPE C	TON	882	--	882	--
35501328	HOT-MIX ASPHALT BASE COURSE, 11"	SQ YD	3,636	--	3,636	--
40300700	PREPARATION OF BASE	SQ YD	3,030	1,698	--	1,332
40600200	BITUMINOUS MATERIALS (PRIME COAT)	TON	113	43	49	21
40600300	AGGREGATE (PRIME COAT)	TON	561	218	236	107
40600635	LEVELING BINDER (MACHINE METHOD), N70	TON	7,044	5,073	1,138	1,433
40600895	CONSTRUCTING TEST STRIP	EACH	2	0.67	0.67	0.66
40600982	HOT-MIX ASPHALT SURFACE REMOVAL - BUTT JOINT	SQ YD	4,766	3,155	700	911
40600990	TEMPORARY RAMP	SQ YD	892	518	262	112
40603340	HOT-MIX ASPHALT SURFACE COURSE, MIX "D", N70	TON	9,048	6,824	--	2,224

FILE NAME :	USER NAME :	DESIGNED :	REVISED :
c:\pwwork\pwwork\LAUGHLIN\l\das47718\72C35-shr-500.dgn	laughlin	-	-
PLOT SCALE :	CHECKED :	DATE :	REVISED :
40.0000 / IN.	-	-	-
PLOT DATE :	DATE :	REVISED :	REVISED :
Apr-30-2010 09:12:48AM	-	-	-

**STATE OF ILLINOIS
DEPARTMENT OF TRANSPORTATION**

SUMMARY OF QUANTITIES

SCALE: SHEET NO. 1 OF 6 SHEETS STA. TO STA.

F.A.P. RTE.	SECTION	COUNTY	TOTAL SHEETS	SHEET NO.
658	*	SANGAMON	206	4
CONTRACT NO. 72C35			ILLINOIS FED. AID PROJECT	

Rev.

CODE NO.	ITEM	UNIT	URBAN	FAP658	FAP662	FAP666
			CONSTRUCTION CODE: 1000			
			FUNDING: 100% STATE			
			TOTAL	SECTION "A" OLD IL 29	SECTION "B" IL 4	SECTION "C" PEORIA RD
40603540	POLYMERIZED HOT-MIX ASPHALT SURFACE COURSE, MIX "D", N70	TON	11,715	785	8,543	2,387
40800050	INCIDENTAL HOT-MIX ASPHALT SURFACING	TON	424	238	--	186
44000100	PAVEMENT REMOVAL	SQ YD	2,332	--	2,332	--
44000157	HOT-MIX ASPHALT SURFACE REMOVAL, 2"	SQ YD	123,974	--	102,658	21,316
44000159	HOT-MIX ASPHALT SURFACE REMOVAL, 2 1/2"	SQ YD	121,994	90,986	5,411	25,597
44000500	COMBINATION CURB AND GUTTER REMOVAL	FOOT	2,149	--	2,149	--
44001700	COMBINATION CONCRETE CURB AND GUTTER REMOVAL AND REPLACEMENT	FOOT	300	150	100	50
44002020	CONCRETE MEDIAN SURFACE REMOVAL	SQ FT	7,386	--	7,386	--
44002500	GUTTER OUTLET REMOVAL	EACH	3	--	3	--
44003100	MEDIAN REMOVAL	SQ FT	715	--	715	--
44003900	MEDIAN SURFACE REMOVAL AND REPLACEMENT	SQ FT	5,000	1,500	2,000	1,500
44004250	PAVED SHOULDER REMOVAL	SQ YD	17,441	15,164	2,277	--
44200529	CLASS A PATCHES, TYPE II, 8 INCH	SQ YD	13	--	13	--
44200535	CLASS A PATCHES, TYPE IV, 8 INCH	SQ YD	93	--	93	--
44200565	CLASS A PATCHES, TYPE II, 11 INCH	SQ YD	27	--	27	--
44200569	CLASS A PATCHES, TYPE III, 11 INCH	SQ YD	19	--	19	--
44200571	CLASS A PATCHES, TYPE IV, 11 INCH	SQ YD	29	--	29	--
44200970	CLASS B PATCHES, TYPE II, 10 INCH	SQ YD	256	256	--	--
44200974	CLASS B PATCHES, TYPE III, 10 INCH	SQ YD	391	391	--	--
44200976	CLASS B PATCHES, TYPE IV, 10 INCH	SQ YD	133	133	--	--
44201789	CLASS D PATCHES, TYPE II, 12 INCH	SQ YD	384	131	--	253
44201794	CLASS D PATCHES, TYPE III, 12 INCH	SQ YD	131	62	69	--
44201796	CLASS D PATCHES, TYPE IV, 12 INCH	SQ YD	122	122	--	--
44201815	CLASS D PATCHES, TYPE II, 14 INCH	SQ YD	637	--	637	--
44201819	CLASS D PATCHES, TYPE III, 14 INCH	SQ YD	36	--	36	--

FILE NAME =	USER NAME = laughlinr1	DESIGNED -	REVISED -
c:\pwwork\p1001\LAUGHLINRL\dms47718\	972C35-sh1-500.dgn	DRAWN -	REVISED -
PLOT SCALE = 48.0000 "/ IN.		CHECKED -	REVISED -
PLOT DATE = Apr-30-2018 09:12:56AM		DATE -	REVISED -

**STATE OF ILLINOIS
DEPARTMENT OF TRANSPORTATION**

SUMMARY OF QUANTITIES

SCALE: SHEET NO. 2 OF 6 SHEETS STA. TO STA.

F.A.P. RTE. 658	SECTION	COUNTY	TOTAL SHEETS	SHEET NO.
		SANGAMON	206	5
CONTRACT NO. 72C35			ILLINOIS FED. AID PROJECT	

Rev.

CODE NO.	ITEM	UNIT	CONSTRUCTION CODE: 1000 FUNDING: 100% STATE			
			URBAN	FAP 658	FAP 662	FAP 666
			TOTAL	SECTION "A" OLD IL 29	SECTION "B" IL 4	SECTION "C" PEORIA RD
44213000	PATCHING REINFORCEMENT	SQ YD	181		181	-
44213100	PAVEMENT FABRIC	SQ YD	780	780	-	-
44213200	SAW CUTS	FOOT	3,746	3,150	596	-
48101200	AGGREGATE SHOULDERS, TYPE B	TON	1,180	-	1,180	-
48203029	HOT-MIX ASPHALT SHOULDERS, 8"	SQ YD	866	-	866	-
48203100	HOT-MIX ASPHALT SHOULDERS	TON	6134	1,330	4,338	466
550A0050	STORM SEWERS, CLASS A, TYPE 1 12"	FOOT	546	-	546	-
550A0070	STORM SEWERS, CLASS A, TYPE 1 15"	FOOT	98	-	98	-
550A0090	STORM SEWERS, CLASS A, TYPE 1 18"	FOOT	12	-	12	-
55100500	STORM SEWER REMOVAL 12"	FOOT	191	-	191	-
60219500	MANHOLES, TYPE A, 4'-DIAMETER, TYPE 15 FRAME AND LID	EACH	12	-	12	-
60220005	MANHOLES, TYPE A, 4'-DIAMETER, WITH MEDIAN INLET (604101)	EACH	1	-	1	-
60237010	INLETS, TYPE A, TYPE 15 FRAME AND LID (24" DEPTH)	EACH	9	-	9	-
60255500	MANHOLES TO BE ADJUSTED	EACH	31	30	-	1
60260100	INLETS TO BE ADJUSTED	EACH	5	-	5	-
60265700	VALVE VAULTS TO BE ADJUSTED	EACH	35	35	-	-
60500060	REMOVING INLETS	EACH	11	-	11	-
60600095	CLASS SI CONCRETE (OUTLET)	CU YD	9	-	9	-
60605000	COMBINATION CONCRETE CURB AND GUTTER, TYPE B-6.24	FOOT	224	-	224	-
60608600	COMBINATION CONCRETE CURB AND GUTTER, TYPE M-6.06	FOOT	145	-	145	-
60610400	COMBINATION CONCRETE CURB AND GUTTER, TYPE M-6.24	FOOT	176	-	176	-
60618300	CONCRETE MEDIAN SURFACE, 4 INCH	SQ FT	1,291	-	1,291	-
60622320	CONCRETE MEDIAN, TYPE SM-4.24	SQ FT	108	-	108	-
67000400	ENGINEER'S FIELD OFFICE, TYPE A	CAL MO	12	4	4	4

FILE NAME =	USER NAME = laughlinr1	DESIGNED -	REVISED -	STATE OF ILLINOIS DEPARTMENT OF TRANSPORTATION	SUMMARY OF QUANTITIES			F.A.P. RTE.	SECTION	COUNTY	TOTAL SHEETS	SHEET NO.
et:\pwwork\PIWIDGT\LAUGHLINR1\dms4771010	72C35-sht-500.dgn	DRAWN -	REVISED -					658	*	SANGAMON	206	6
PLOT SCALE = 40.0000' / 1"		CHECKED -	REVISED -		SCALE: SHEET NO. 3 OF 6 SHEETS STA. TO STA.			CONTRACT NO. 72C35				
PLOT DATE = Apr-30-2010 09:13:03AM		DATE -	REVISED -		ILLINOIS FED. AID PROJECT							

Rev.

CODE NO.	ITEM	UNIT	CONSTRUCTION CODE: 1000 FUNDING: 100% STATE			
			URBAN	FAP 658	FAP 662	FAP 666
			TOTAL	SECTION "A" OLD IL 29	SECTION "B" IL 4	SECTION "C" PEORIA RD.
67100100	MOBILIZATION	L SUM	1	0.33	0.34	0.33
70100310	TRAFFIC CONTROL AND PROTECTION, STANDARD 701421	L SUM	1	0.33	0.34	0.33
70100320	TRAFFIC CONTROL AND PROTECTION, STANDARD 701422	L SUM	1	0.33	0.34	0.33
70102620	TRAFFIC CONTROL AND PROTECTION, STANDARD 701501	L SUM	1	0.33	0.34	0.33
70102632	TRAFFIC CONTROL AND PROTECTION, STANDARD 701602	L SUM	1	0.33	0.34	0.33
70102635	TRAFFIC CONTROL AND PROTECTION, STANDARD 701701	L SUM	1	0.33	0.34	0.33
70103815	TRAFFIC CONTROL SURVEILLANCE	CAL DA	20	7	7	6
70106800	CHANGEABLE MESSAGE SIGN	CAL MO	10	4	4	2
70300100	SHORT-TERM PAVEMENT MARKING	FOOT	22,606	10,460	8,573	3,573
70301000	WORK ZONE PAVEMENT MARKING REMOVAL	SQ FT	3,056	1,743	831	482
* 72400710	RELOCATE SIGN PANEL - TYPE 1	SQ FT	36	18	18	--
* 78000300	THERMOPLASTIC PAVEMENT MARKING - LINE 5"	FOOT	27,016	17,310	--	9,706
* 78000500	THERMOPLASTIC PAVEMENT MARKING - LINE 8"	FOOT	6,126	1,516	4,610	--
* 78000600	THERMOPLASTIC PAVEMENT MARKING - LINE 12"	FOOT	2,153	1,088	1,065	--
* 78004200	PREFORMED PLASTIC PAVEMENT MARKING, TYPE B - INLAID - LETTERS AND SYMBOLS	SQ FT	2,581	821	1,250	510
* 78004220	PREFORMED PLASTIC PAVEMENT MARKING, TYPE B INLAID - LINE 5"	FOOT	15,997	7,403	5,378	3,216
* 78004230	PREFORMED PLASTIC PAVEMENT MARKING, TYPE B INLAID - LINE 6"	FOOT	11,434	6,368	4,749	317
* 78003140	PREFORMED PLASTIC PAVEMENT MARKING, TYPE B INLAID - LINE 8"	FOOT	121	121	--	--
* 78004280	PREFORMED PLASTIC PAVEMENT MARKING, TYPE B INLAID - LINE 24"	FOOT	1,841	1,003	614	224
* 78100100	RAISED REFLECTIVE PAVEMENT MARKER	EACH	1,260	454	476	330
78300200	RAISED REFLECTIVE PAVEMENT MARKER REMOVAL	EACH	1,260	454	476	330
* 81012600	CONDUIT IN TRENCH, 2" DIA., PVC	FOOT	86	43	43	--
* 81012700	CONDUIT IN TRENCH, 2 1/2" DIA., PVC	FOOT	17	--	17	--
* 81012800	CONDUIT IN TRENCH, 3" DIA., PVC	FOOT	10	5	5	--
* 81021550	CONDUIT, AUGERED 2" DIA., PVC	FOOT	28	14	14	--
* 81021570	CONDUIT, AUGERED 3" DIA., PVC	FOOT	120	60	60	--

* SPECIALTY ITEM

FILE NAME =	USER NAME = laughlavr1	DESIGNED -	REVISED -	STATE OF ILLINOIS DEPARTMENT OF TRANSPORTATION	SUMMARY OF QUANTITIES				F.A.P. RTE. 658	SECTION •	COUNTY SANGAMON	TOTAL SHEETS 206	SHEET NO. 7
c:\pwwork\VPWIDOT\LAUHL\INRL\dms47710\0572C35-shr-500.dgn		DRAWN -	REVISED -		SCALE:	SHEET NO. 4 OF 6 SHEETS	STA.	TO STA.	ILLINOIS FED. AID PROJECT				
PLOT SCALE = 40.0000' / IN.		CHECKED -	REVISED -										
PLOT DATE = Apr-30-2010 09:13:11AM		DATE -	REVISED -		CONTRACT NO. 72C35								

URBAN FAP 658 FAP 662 FAP 666

CODE NO.	ITEM	UNIT	CONSTRUCTION CODE: 1000			
			FUNDING: 100% STATE			
			TOTAL	SECTION "A" OLD IL 29	SECTION "B" IL 4	SECTION "C" PEORIA RD
81021590	CONDUIT, AUGERED 4" DIA, PVC	FOOT	291	--	291	--
81400100	HANDHOLE	EACH	3	--	3	--
81500120	GULFBOX JUNCTION, COMPOSITE CONCRETE	EACH	1	1	--	--
81500130	GULFBOX JUNCTION REMOVAL	EACH	1	1	--	--
81900200	TRENCH AND BACKFILL FOR ELECTRICAL WORK	FOOT	113	--	113	--
86200200	UNINTERRUPTIBLE POWER SUPPLY, STANDARD	EACH	1	--	1	--
87100110	FIBER OPTIC CABLE IN CONDUIT, NO. 62.5/125, 6F	FOOT	3,598	1,799	1,799	--
87301245	ELECTRIC CABLE IN CONDUIT, SIGNAL NO. 14 5C	FOOT	2,149	50	2,099	--
87301255	ELECTRIC CABLE IN CONDUIT, SIGNAL NO. 14 7C	FOOT	853	--	853	--
87301265	ELECTRIC CABLE IN CONDUIT, SIGNAL NO. 14 9C	FOOT	853	--	853	--
87502700	TRAFFIC SIGNAL POST, ALUMINUM 16 FT.	EACH	2	1	1	--
87702950	STEEL COMBINATION MAST ARM ASSEMBLY AND POLE 44 FT.	EACH	2	1	1	--
87703000	STEEL COMBINATION MAST ARM ASSEMBLY AND POLE 55 FT.	EACH	1	--	1	--
87703040	STEEL COMBINATION MAST ARM ASSEMBLY AND POLE 62 FT.	EACH	1	--	1	--
87800100	CONCRETE FOUNDATION, TYPE A	FOOT	6	3	3	--
87800415	CONCRETE FOUNDATION, TYPE E 36-INCH DIAMETER	FOOT	41	41	--	--
87800420	CONCRETE FOUNDATION, TYPE E 42-INCH DIAMETER	FOOT	21	--	21	--
87900200	DRILL EXISTING HANDHOLE	EACH	3	--	3	--
88040090	SIGNAL HEAD, POLYCARBONATE, LED, 1-FACE, 3-SECTION, MAST ARM MOUNTED	EACH	26	20	6	--
88040150	SIGNAL HEAD, POLYCARBONATE, LED, 1-FACE, 5-SECTION, BRACKET MOUNTED	EACH	1	1	--	--
88040230	SIGNAL HEAD, POLYCARBONATE, LED, 2-FACE, 3-SECTION, BRACKET MOUNTED	EACH	1	1	--	--
88040270	SIGNAL HEAD, POLYCARBONATE, LED, 2-FACE, 1-3 SECTION, 1-5 SECTION, BRACKET MOUNTED (SPECIAL)	EACH	3	3	--	--
88040310	SIGNAL HEAD, POLYCARBONATE, LED, 3-FACE, 1-3 SECTION, 2-5 SECTION, BRACKET MOUNTED	EACH	4	4	--	--
88200100	TRAFFIC SIGNAL BACKPLATE	EACH	94	41	53	--
88600100	DETECTOR LOOP, TYPE I	FOOT	12,625	5,940	6,685	--

* (next to item 87702950)

* SPECIALTY ITEM

FILE NAME =	USER NAME = laughlinr1	DESIGNED -	REVISED -
c:\pwork\PMIDOT\LAUGHLINR1\dms47710\72C35-shs-500.dgn		DRAWN -	REVISED -
PLOT SCALE = 48.0000 "/ IN.		CHECKED -	REVISED -
PLOT DATE = Apr-30-2010 09:13:18AM		DATE -	REVISED -

STATE OF ILLINOIS
DEPARTMENT OF TRANSPORTATION

SUMMARY OF QUANTITIES	
SCALE:	SHEET NO. 5 OF 6 SHEETS STA. TO STA.

F.A.P. RTE.	SECTION	COUNTY	TOTAL SHEETS	SHEET NO.
658	*	SANGAMON	206	8
CONTRACT NO. 72C35			ILLINOIS FED. AID PROJECT	

URBAN FAP 658 FAP 662 FAP 666

CODE NO.	ITEM	UNIT	CONSTRUCTION CODE: 1000 FUNDING: 100% STATE			
			TOTAL	SECTION "A" OLD IL 29	SECTION "B" IL 4	SECTION "C" PEORIA RD
* 89000100	TEMPORARY TRAFFIC SIGNAL INSTALLATION	EACH	1	--	1	--
* 89502210	MODIFY EXISTING CONTROLLER CABINET	EACH	1	--	1	--
* 89502300	REMOVE ELECTRIC CABLE FROM CONDUIT	FOOT	6,113	--	6,113	--
* 89502375	REMOVE EXISTING TRAFFIC SIGNAL EQUIPMENT	EACH	1	--	1	--
* 89502380	REMOVE EXISTING HANDHOLE	EACH	8	4	4	--
* 89502385	REMOVE EXISTING CONCRETE FOUNDATION	EACH	8	4	4	--
X0320157	CLEANING UNDERDRAIN OUTLETS	EACH	88	--	88	--
* X0320872	VIDEO VEHICLE DETECTION SYSTEM	EACH	1	--	1	--
X0320887	POLYMER CONCRETE	CU FT	3.5	--	3.5	--
X0322279	OUTLET MARKER	EACH	88	--	88	--
* X0322374	REMOVE EXISTING TRAFFIC SIGNAL HEAD	EACH	7	7	--	--
X0322729	MATERIAL TRANSFER DEVICE	TON	9,681	--	9,681	--
* X0323153	ELECTRIC CABLE IN CONDUIT, GROUND, NO. 6 1C (GREEN)	FOOT	607	--	607	--
* X0325702	NIGHTTIME WORK ZONE LIGHTING	L SUM	1	0.50	0.50	--
X6063600	COMBINATION CONCRETE CURB AND GUTTER, TYPE M-4.24	FOOT	3,090	--	3,090	--
X7011005	TRAFFIC CONTROL AND PROTECTION FOR TEMPORARY DETOUR	L SUM	1	0.50	0.50	--
* X7800620	URETHANE PAVEMENT MARKING - LINE 5"	FOOT	94,392	33,912	50,809	9,671
* X7800640	URETHANE PAVEMENT MARKING - LINE 8"	FOOT	4,087	--	2,274	1,813
* X7800650	URETHANE PAVEMENT MARKING - LINE 12"	FOOT	2,419	--	1,695	724
* X0326300	ELECTRIC CABLE IN CONDUIT, COMMUNICATION NO. 20 3/C, TWISTED, SHIELDED	FOOT	915	--	915	--
Z0013798	CONSTRUCTION LAYOUT	L SUM	1	0.33	0.34	0.33
Z0017100	DOWEL BARS	EACH	1,100	1,100	--	--
Z0075300	TIE BARS	EACH	96	50	46	--
Z0048665	RAILROAD PROTECTIVE LIABILITY INSURANCE	L SUM	1	--	--	1
60237008	INLETS, TYPE A, TYPE 15 FRAME AND LID (18" DEPTH)	EACH	1	--	1	--

* SPECIALTY ITEM

* 1-ILRS,TS-1127RS-6;79Z&102RS-4

Rev.

SECTION "A" (OLD IL 29 / J. DAVID JONES / WALNUT) PATCHING								
CLASS B - 10" NORTH BOUND								
STATION	LOCATION	LENGTH	WIDTH	SAW CUTS	TY II, 10"	TY III, 10"	DOWEL BARS	PAVEMENT FABRIC
		(FT)	(FT)	(FT)	(SQ YD)	(SQ YD)	(EACH)	(SQ YD)
546+50	DL	6	12	48	8.00		20	8
546+50	PL	6	12	48	8.00		20	8
547+50	DL	12	12	60		16.00	20	16
547+50	PL	12	12	60		16.00	20	16
548+50	DL	6	12	48	8.00		20	8
548+50	PL	6	12	48	8.00		20	8
557+00	DL	15	12	66		20.00	20	20
566+50	PL	10	12	56	13.33		20	13
567+50	PL	6	12	48	8.00		20	8
568+50	PL	6	12	48	8.00		20	8
570+80	DL	6	12	48	8.00		20	8
570+80	PL	6	12	48	8.00		20	8
571+30	DL	15	12	66		20.00	20	20
571+30	PL	15	12	66		20.00	20	20
583+00	PL	6	12	48	8.00		20	8
583+50	PL	6	12	48	8.00		20	8
584+50	DL	6	12	48	8.00		20	8
584+50	PL	6	12	48	8.00		20	8
585+50	PL	6	12	48	8.00		20	8
586+50	DL	6	12	48	8.00		20	8
586+50	PL	6	12	48	8.00		20	8
587+50	DL	6	12	48	8.00		20	8
587+50	PL	6	12	48	8.00		20	8
598+50	DL	6	12	48	8.00		20	8
598+50	PL	6	12	48	8.00		20	8
599+50	DL	6	12	48	8.00		20	8
599+50	PL	6	12	48	8.00		20	8
TOTALS				1382	181	92	540	273

SECTION "A" (OLD IL 29 / J. DAVID JONES / WALNUT) PATCHING										
CLASS B - 10" SOUTH BOUND										
STATION	LOCATION	LENGTH	WIDTH	SAW CUTS	TIE BARS	TY II, 10"	TY III, 10"	TY IV, 10"	Dowel Bars	PAVT FABRIC
		(FT)	(FT)	(FT)	(EACH)	(SQ YD)	(SQ YD)	(SQ YD)	(EACH)	(SQ YD)
534+50	DL	16	12	68				21.33	20	21
534+50	PL	16	12	68				21.33	20	21
535+50	DL	15	12	66				20.00	20	20
535+50	PL	15	12	66				20.00	20	20
539+20	DL	6	12	48		8.00			20	8
539+20	PL	6	12	48		8.00			20	8
541+00	DL	12	12	60				16.00	20	16
541+00	PL	12	12	60				16.00	20	16
542+50	DL	10	12	56		13.33			20	13
542+50	PL	10	12	56		13.33			20	13
543+50	DL	6	12	48		8.00			20	8
544+50	DL	12	12	60				16.00	20	16
544+50	PL	12	12	60				16.00	20	16
545+50	PL	6	12	48		8.00			20	8
546+50	DL	6	12	48		8.00			20	8
546+50	PL	6	12	48		8.00			20	8
549+50	DL	30	12	96	15			40.00	20	40
549+50	PL	30	12	96	15			40.00	20	40
556+50	DL	20	12	76	10			26.67	20	27
556+50	PL	20	12	76	10			26.67	20	27
557+50	DL	14	12	64				18.67	20	19
557+50	PL	14	12	64				18.67	20	19
565+50	DL	12	12	60				16.00	20	16
565+50	PL	12	12	60				16.00	20	16
613+20	DL	17	12	70				22.67	20	23
613+20	PL	17	12	70				22.67	20	23
616+00	DL	14	12	64				18.67	20	19
616+00	PL	14	12	64				18.67	20	19
TOTALS				1768	50	75	299	133	560	507

SECTION "A" (OLD IL 29 / J. DAVID JONES / WALNUT) PATCHING						
CLASS D - 12"						
NORTH BOUND						
STATION	LOCATION	LENGTH (FT)	WIDTH (FT)	TY II, 12" (SQ YD)	TY III, 12" (SQ YD)	TY IV, 12" (SQ YD)
26+00	DL	10	11	12.22		
21+25	DL	6	11	7.33		
21+25	PL	6	11	7.33		
8+75	DL	25	11			30.56
8+75	PL	25	11			30.56
632+60	DL	5	11	6.11		
632+60	Parking Lane	5	9	5.00		
630+00	DL	20	11		24.44	
630+00	Parking Lane	20	9		20.00	
629+50	DL	5	11	6.11		
629+50	Parking Lane	5	9	5.00		
626+90	DL	6	11	7.33		
626+90	Parking Lane	6	9	6.00		
TOTALS				62	44	61
MEDIAN TURN LANE						
STATION	LOCATION	LENGTH (FT)	WIDTH (FT)	TY II, 12" (SQ YD)		
21+25	MTL	6	11	7.33		
11+40	MTL	6	11	7.33		
TOTALS				15		
SOUTH BOUND						
STATION	LOCATION	LENGTH (FT)	WIDTH (FT)	TY II, 12" (SQ YD)	TY III, 12" (SQ YD)	TY IV, 12" (SQ YD)
22+80	DL	15	11		18.33	
21+90	DL	50	11			61.11
21+25	DL	6	11	7.33		
21+25	PL	6	11	7.33		
11+40	DL	6	11	7.33		
11+40	PL	6	11	7.33		
632+60	DL	5	11	6.11		
632+60	Parking Lane	5	9	5.00		
626+90	DL	6	11	7.33		
626+90	Parking Lane	6	9	6.00		
TOTALS				54	18	61

SECTION "B" (IL 4 / VETERANS PKWY) PATCHING									
CLASS A - 8"									
SOUTH BOUND									
STATION	LOCATION	LENGTH (FT)	WIDTH (FT)	PATCH REINF. (SQ YD)	SAW CUTS (FT)	TIE BARS (EACH)	TY II, 8" (SQ YD)	TY IV, 8" (SQ YD)	
109+60	PL	20	12	26.67	76	10		26.67	
110+20	DL	10	12	13.33	56		13.33		
110+20	PL	30	12	40.00	96	15		40.00	
111+25	PL	20	12	26.67	76	10		26.67	
TOTALS				107	304	35	13	93	
STATION	LOCATION	LENGTH (FT)	WIDTH (FT)	PATCH REINF. (SQ YD)	SAW CUTS (FT)	TIE BARS (EACH)	TY II, 11" (SQ YD)	TY III, 11" (SQ YD)	TY IV, 11" (SQ YD)
103+00	NB LTL	8	12	10.67	52		10.67		
103+80	NB LTL	22	12	29.33	80	11			29.33
104+00	NB LTL	14	12	18.67	64			18.67	
104+70	NB DL	6	12	8.00	48		8.00		
106+30	NB PL	6	12	8.00	48		8.00		
TOTALS				74	292	11	27	19	29

FILE NAME =	USER NAME = laughl1nr1	DESIGNED -	REVISED -
es:\pwwork\PWIDOT\LAUGHLINRL\dms47710\72C35-aht-schedule.dgn		DRAWN -	REVISED -
PLOT SCALE = 40.0000' / IN.		CHECKED -	REVISED -
PLOT DATE = Apr-30-2010 09:14:13AM		DATE -	REVISED -

**STATE OF ILLINOIS
DEPARTMENT OF TRANSPORTATION**

PATCHING SCHEDULES			
SCALE:	SHEET NO. 2 OF 3 SHEETS	STA.	TO STA.

F.A.P. RTE.	SECTION	COUNTY	TOTAL SHEETS	SHEET NO.
658		SANGAMON	206	11
CONTRACT NO. 72C35			ILLINOIS FED. AID PROJECT	

SECTION "B" (IL 4 / VETERANS PKWY) PATCHING					
NORTH BOUND			CLASS D		
STATION	LOCATION	LENGTH (FT)	WIDTH (FT)	TY II, 14" (SQ YD)	TY III, 12" (SQ YD)
256+00	DL	6	12	8.00	
256+00	PL	6	12	8.00	
256+80	DL	6	12	8.00	
256+80	PL	6	12	8.00	
257+50	DL	6	12	8.00	
257+50	PL	6	12	8.00	
258+05	DL	6	12	8.00	
258+05	PL	6	12	8.00	
267+00	DL	6	12	8.00	
267+00	PL	6	12	8.00	
270+32	DL	6	12	8.00	
270+32	PL	6	12	8.00	
272+90	DL	10	12	13.33	
272+90	PL	10	12	13.33	
278+50	DL	10	12	13.33	
278+50	PL	10	12	13.33	
280+12	DL	6	12	8.00	
280+12	PL	6	12	8.00	
281+60	DL	10	12	13.33	
281+60	PL	10	12	13.33	
484+20	DL	6	12	8.00	
484+20	PL	6	12	8.00	
486+25	DL	17	12		22.67
486+25	PL	17	12		22.67
487+55	DL	6	12	8.00	
488+05	PL	18	12		24.00
488+35	DL	8	12	10.67	
491+15	DL	6	12	8.00	
491+15	PL	6	12	8.00	
491+90	DL	6	12	8.00	
491+90	PL	6	12	8.00	
496+00	DL	6	12	8.00	
496+00	PL	6	12	8.00	
496+00	LTL	6	12	8.00	
496+20	DL	6	12	8.00	
496+20	PL	6	12	8.00	
496+20	LTL	6	12	8.00	
TOTALS				307	69

SECTION "B" (IL 4 / VETERANS PKWY) PATCHING					
SOUTH BOUND			CLASS D		
STATION	LOCATION	LENGTH (FT)	WIDTH (FT)	TY II, 14" (SQ YD)	TY III, 14" (SQ YD)
256+65	DL	6	12	8.00	
256+65	PL	6	12	8.00	
258+25	DL	6	12	8.00	
258+25	PL	6	12	8.00	
258+60	PL	6	12	8.00	
259+20	DL	6	12	8.00	
259+20	PL	6	12	8.00	
261+50	PL	6	12	8.00	
261+60	DL	6	12	8.00	
266+00	DL	6	12	8.00	
266+00	RTL	6	12	8.00	
270+05	DL	6	12	8.00	
270+80	DL	8	12	10.67	
270+80	PL	8	12	10.67	
271+65	DL	8	12	10.67	
271+65	PL	8	12	10.67	
272+25	DL	6	12	8.00	
278+65	DL	12	12		16.00
278+65	PL	8	12	10.67	
281+70	DL	6	12	8.00	
281+70	PL	6	12	8.00	
282+20	DL	6	12	8.00	
282+20	PL	6	12	8.00	
383+40	DL	6	12	8.00	
383+40	PL	6	12	8.00	
384+15	DL	8	12	10.67	
384+15	PL	8	12	10.67	
385+35	DL	15	12		20.00
385+35	PL	6	12	8.00	
386+90	DL	6	12	8.00	
386+90	PL	6	12	8.00	
391+00	DL	6	12	8.00	
391+00	PL	6	12	8.00	
392+50	DL	6	12	8.00	
393+30	DL	6	12	8.00	
393+70	DL	6	12	8.00	
393+70	PL	6	12	8.00	
394+65	DL	6	12	8.00	
394+65	PL	6	12	8.00	
395+85	DL	6	12	8.00	
395+85	PL	6	12	8.00	
TOTALS				330	36

SECTION "C" (PEORIA RD.) PATCHING				
CLASS D - 12" NORTH BOUND				
STATION	LOCATION	LENGTH (FT)	WIDTH (FT)	TY II, 12" (SQ YD)
6+00	PL	6	12	8.00
2+00	DL	6	12	8.00
2+00	PL	6	12	8.00
75+20	DL	6	12	8.00
75+20	PL	6	12	8.00
74+75	PL	6	12	8.00
71+00	DL	6	12	8.00
71+00	PL	6	12	8.00
70+10	DL	6	12	8.00
70+10	PL	6	12	8.00
66+00	DL	6	12	8.00
66+00	PL	6	12	8.00
64+00	PL	6	12	8.00
55+00	PL	6	12	8.00
52+00	DL	6	12	8.00
52+00	PL	6	12	8.00
51+80	DL	10	12	13.33
51+80	PL	10	12	13.33
TOTALS				155
PATCHING SURVEY - PEORIA RD. CLASS D - 12" SOUTH BOUND				
STATION	LOCATION	LENGTH (FT)	WIDTH (FT)	TY II, 12" (SQ YD)
74+75	DL	6	12	8.00
70+10	DL	6	12	8.00
70+10	PL	6	12	8.00
66+00	DL	6	12	8.00
66+00	PL	6	12	8.00
63+00	DL	6	12	8.00
63+00	PL	6	12	8.00
	DL	6	12	8.00
	PL	6	12	8.00
51+80	DL	10	12	13.33
51+80	PL	10	12	13.33
TOTALS				98

FILE NAME =	USER NAME = laughlinr1	DESIGNED -	REVISED -
er:\pw\work\PWIDOT\LAUGHLINR1\dms47718\0372C35\shc-schedule.dgn		DRAWN -	REVISED -
		CHECKED -	REVISED -
		DATE -	REVISED -

**STATE OF ILLINOIS
DEPARTMENT OF TRANSPORTATION**

PATCHING SCHEDULES			
SCALE:	SHEET NO. 3 OF 3 SHEETS	STA.	TO STA.

F.A.P. RTE.	SECTION	COUNTY	TOTAL SHEETS	SHEET NO.
658	*	SANGAMON	206	12
CONTRACT NO. 72C35				
ILLINOIS FED. AID PROJECT				

SECTION "B" -- IL 4 / IL 29 INTERSECTION IMPROVEMENT EARTHWORK SCHEDULE

DESCRIPTION	STATION TO STATION		EARTH EXCAVATION	EARTH EXCAVATION (WIDENING)	EXCAVATION ADJUSTED FOR SHRINKAGE (25%)	EMBANKMENT	EARTHWORK BALANCE WASTE (+) OR SHORTAGE (-) (-) = FURNISHED EX	SEEDING CLASS 2	MULCH METHOD 3	NITROGEN FERTILIZER NUTRIENT	PHOSPHORUS FERTILIZER NUTRIENT	POTASSIUM FERTILIZER NUTRIENT	AGRICULTURAL GROUND LIMESTONE
			(CU YD)	(CU YD)	(CU YD)	(CU YD)	(ACRE)	(ACRE)	(POUND)	(POUND)	(POUND)	(TON)	
-- IL 4/VET PKY --WEST LEG													
MAIN LINE	100+75	101+00	0.0	0.0	0.0	0.0	0.0	0.00	0.00	0.00	0.00	0.00	0.00
MAIN LINE	101+00	102+00	192.1	0.0	144.1	0.0	144.1	0.00	0.00	0.00	0.00	0.00	0.00
MAIN LINE	102+00	103+00	167.2	0.0	125.4	0.0	125.4	0.00	0.00	0.00	0.00	0.00	0.00
MAIN LINE	103+00	104+00	155.0	0.0	116.2	0.0	116.2	0.00	0.00	0.00	0.00	0.00	0.00
MAIN LINE	104+00	105+00	135.3	0.0	101.5	0.0	101.5	0.00	0.00	0.00	0.00	0.00	0.00
MAIN LINE	105+00	106+00	107.6	0.0	80.7	0.0	80.7	0.00	0.00	0.00	0.00	0.00	0.00
MAIN LINE	106+00	107+00	89.7	0.0	67.3	0.0	67.3	0.00	0.00	0.00	0.00	0.00	0.00
MAIN LINE	107+00	108+00	56.6	0.0	42.4	0.0	42.4	0.00	0.00	0.00	0.00	0.00	0.00
MAIN LINE	108+00	109+00	16.3	0.0	12.2	0.0	12.2	0.00	0.00	0.00	0.00	0.00	0.00
MAIN LINE	109+00	110+00	0.0	3.1	2.3	0.0	2.3	0.00	0.00	0.00	0.00	0.00	0.00
MAIN LINE	110+00	111+00	0.0	7.4	5.6	0.0	5.56	0.00	0.00	0.00	0.00	0.00	0.00
MAIN LINE	111+00	112+00	0.0	6.7	5.0	4.8	0.2	0.00	0.00	0.00	0.00	0.00	0.00
MAIN LINE	112+00	112+50	0.0	0.0	0.0	4.8	-4.8	0.01	0.01	0.90	0.90	0.90	0.02
IL 4 WEST LEG TOTALS			919.9	17.2	702.8	9.6	693.2	0.01	0.01	0.90	0.90	0.90	0.02
-- IL 4/VET PKY --EAST LEG													
MAIN LINE	200+00	201+00	121.8	0.0	91.3	0.0	91.3	0.00	0.00	0.00	0.00	0.00	0.00
MAIN LINE	201+00	202+00	101.7	0.0	76.2	0.0	76.2	0.00	0.00	0.00	0.00	0.00	0.00
MAIN LINE	202+00	203+00	115.0	0.0	86.3	0.0	86.3	0.00	0.00	0.00	0.00	0.00	0.00
MAIN LINE	203+00	204+00	127.5	0.0	95.6	0.8	94.8	0.00	0.00	0.00	0.00	0.00	0.00
MAIN LINE	204+00	205+00	73.8	0.0	55.4	17.4	38.0	0.03	0.03	2.66	2.66	2.66	0.06
MAIN LINE	205+00	206+00	46.7	0.0	35.1	45.5	-10.4	0.05	0.05	4.06	4.06	4.06	0.09
MAIN LINE	206+00	207+00	32.6	0.0	24.5	32.2	-7.7	0.06	0.06	5.26	5.26	5.26	0.12
MAIN LINE	207+00	207+25	0.0	6.1	4.6	9.5	-5.0	0.02	0.02	1.46	1.46	1.46	0.03
IL 4 EAST LEG TOTALS			619.1	6.1	468.9	105.4	363.5	0.15	0.15	13.45	13.45	13.45	0.30
IL 4 / IL 29 QUADRANTS													
SW QUAD			0.0	0.0	0.0	20.1	-20.1	0.04	0.04	3.60	3.60	3.60	0.08
NW QUAD			0.0	0.0	0.0	40.5	-40.5	0.03	0.03	2.70	2.70	2.70	0.06
IL 4/IL 29 QUAD TOTALS			0.0	0.0	0.0	60.7	-60.7	0.07	0.07	6.30	6.30	6.30	0.14
IL 4 WEST LEG TOTALS			919.9	17.2	702.8	9.6	693.2	0.01	0.01	0.90	0.90	0.90	0.02
IL 4 EAST LEG TOTALS			619.1	6.1	468.9	105.4	363.5	0.15	0.15	13.45	13.45	13.45	0.30
IL 4/IL 29 QUAD TOTALS			0.0	0.0	0.0	60.7	-60.7	0.07	0.07	14.35	14.35	14.35	0.32
INTERSECTION IMPROVEMENT TOTALS			1,539.0	23.3	1,171.7	175.7	996	0.23	0.23	14.35	14.35	14.35	0.32

SECTION "B" -- IL 4 / IL 29 INTERSECTION IMPROVEMENT RESURFACING SCHEDULE

DESCRIPTION	STATION TO STATION	LENGTH (FT)	AVG. PAVT. WIDTH (FT)	PAVMENT AREA (SQYD)	EOP HMA SHLDR WIDTH (FT)	MEDIAN HMA SHLDR WIDTH (FT)	HMA SHLDR AREA (SQYD)	BIT MAT PRIMECOAT (TON)	AGG PRIMECOAT (TON)	1" HMA LEVEL BINDER (TON)	1.5" POLY SURFACE HMA (TON)	2" POLY HMA SURFACE (TON)	HMA SURF. REM 2" (SQYD)	HMA SURF. REM 2.5" (SQYD)	2" HMA SHLDR (TON)	2.5" HMA SHLDR (TON)	AGG SHLDR (TON)	GRADE & SHAPE SHLDR (UNIT)	BUTT JOINT (SQYD)	TEMP RAMPS (SQYD)
NORTHBOUND LANES -- IL 4/VETPKY																				
MAIN LINE	112+50 - 111+44	106.00	24	282.67	10		117.78	0.2	0.8	15.8	23.7					16.5	4.0			
MAIN LINE	111+44 - 110+23	121.00	24	322.67	10	8	242.00	0.3	1.1	18.1	27.1					33.9	4.6			
MAIN LINE	110+23 - 110+02	21.00	24	56.00		8	18.67	0.0	0.1	3.1	4.7					2.6				
MAIN LINE	110+02 - 109+28	74.00	24	197.33				0.1	0.4	11.1	16.6									
MAIN LINE	109+28 - 109+00	28.00	24	74.67	10		31.11	0.0	0.2	4.2	6.3					4.4	1.1			
MAIN LINE	109+00 - 107+86	114.00	24	304.00	10	6	202.67	0.2	1.0	17.0	25.5					28.4	4.3			
MAIN LINE	107+86 - 102+76	510.00	24	1,360.00				0.5	2.7	76.2	114.2									
MAIN LINE	102+76 - 101+08	168.00	24	448.00				0.2	0.9	25.1	37.6		448.0							
STATION EQUATION 100+49.35BK = 199+51.54AH																				
MAIN LINE	199+74 - 200+56	82.00	24	218.67				0.2	0.4	12.2	18.4		218.7							
MAIN LINE	200+56 - 203+81	325.00	24	866.67	10		361.11	0.5	2.5	48.5	72.8		1,227.8			50.6	12.3			
MAIN LINE	203+81 - 208+00	419.00	24	1,117.33	10	6	744.89	0.7	3.7	62.6	93.9		1,862.2			104.3	31.8			
IL 4 / 100 W. RD. TURN LANES																				
LEFT TURN	112+50 - 111+87	63.00		168.06		7	49.00	0.1	0.4	9.4	14.1					6.9	2.4			
LEFT TURN	111+87 - 111+45	42.00		127.44				0.1	0.3	7.1	10.7									
LEFT TURN	111+45 - 110+32	113.00	14	175.78				0.1	0.4	9.8	14.8									
IL 4 / IL 29 TURN LANES																				
LEFT TURN	108+14 - 104+25	389.00		595.11				0.5	1.2	33.3	50.0									
LEFT TURN	104+25 - 102+76	149.00	26	430.44				0.3	0.9	24.1	36.2									
LEFT TURN	102+76 - 101+35	141.00	26	407.33				0.3	0.8	22.8	34.2									
LEFT TURN	101+35 - 100+78	57.00		243.44				0.2	0.5	13.6	20.4									
RIGHT TURN	107+86 - 106+00	186.00		63.82	7		144.67	0.1	0.4	3.6	5.4					20.3	7.1			
RIGHT TURN	106+00 - 104+89	111.00		139.22	4		49.33	0.1	0.4	7.8	11.7					6.9	4.2			
RIGHT TURN	104+89 - 102+76	213.00	12	284.00	4		94.67	0.3	0.8	15.9	23.9					13.3	8.1			
RIGHT TURN	102+76 - 102+34	42.00	12	56.00	4		18.67	0.0	0.1	3.1	4.7		74.7			2.6	1.6			
RIGHT TURN	102+34 - 101+14	120.00		418.31				0.3	0.8	23.4	35.1		418.3							
NORTHBOUND TOTALS				8,356.96			2,074.56	5.4	20.9	468.0	702.0	0.0	3,308.7	941.0	0.0	290.4	81.5	0.0	0.0	0.0

SOUTHBOUND LANES -- IL 4/VETPKY																				
MAIN LINE	208+00 - 207+20	80.00	24	213.33	10	6	142.22	0.2	0.7	11.9	17.9		355.6			19.9	6.1			
MAIN LINE	207+20 - 206+63	57.00	24	152.00	10		63.33	0.1	0.4	8.5	12.8		215.3			8.9	2.2			
MAIN LINE	206+63 - 200+11	652.00	24	1,738.67				1.3	3.5	97.4	146.0		1,738.7							
STATION EQUATION 100+49.35BK = 199+51.54AH																				
MAIN LINE	100+71 - 101+30	59.00	24	157.33				0.1	0.3	8.8	13.2		157.3							
MAIN LINE	101+30 - 101+50	20.00	24	53.33		8	17.78	0.0	0.1	3.0	4.5		71.1			2.5				
MAIN LINE	101+50 - 102+91	141.00	24	376.00	10	8	282.00	0.3	1.3	21.1	31.6		658.0			39.5	5.4			
MAIN LINE	102+91 - 104+26	135.00	24	360.00	10	4	210.00	0.2	1.1	20.2	30.2		570.0			29.4	5.1			
MAIN LINE	104+26 - 107+70	344.00	24	917.33	10		382.22	0.5	2.6	51.4	77.1		1,299.6			53.5	13.1			
MAIN LINE	107+70 - 108+79	109.00	24	290.67	10	8	218.00	0.2	1.0	16.3	24.4		508.7			30.5	4.1			
MAIN LINE	108+79 - 109+13	34.00	24	90.67	10	8	68.00	0.1	0.3	5.1	7.6					9.5	1.3			
MAIN LINE	109+13 - 109+44	31.00	24	82.67		8	27.56	0.0	0.2	4.6	6.9					3.9				
MAIN LINE	109+44 - 109+87	43.00	24	114.67	10		47.78	0.1	0.3	6.4	9.6					6.7	1.6			
MAIN LINE	109+87 - 110+62	75.00	24	200.00	10	8	150.00	0.1	0.7	11.2	16.8					21.0	2.8			
MAIN LINE	110+62 - 111+87	125.00	24	333.33	10	8	250.00	0.2	1.2	18.7	28.0					35.0	4.7			
MAIN LINE	111+87 - 112+50	63.00	24	168.00	10	8	126.00	0.1	0.6	9.4	14.1					17.6	4.8			
IL 4 / IL 29 TURN LANES																				
LEFT TURN	207+20 - 203+30	390.00		572.29				0.2	1.1	32.0	48.1						14.8			
LEFT TURN	203+30 - 200+39	291.00	26	840.67				0.3	1.7	47.1	70.6									
LEFT TURN	200+39 - 199+80	59.00		252.28				0.1	0.5	14.1	21.2									
RIGHT TURN	206+63 - 204+10	253.00		186.43	7		196.78	0.1	0.8	10.4	15.7		383.2			27.5	9.6			
RIGHT TURN	204+10 - 201+44	266.00	12	354.67	4		118.22	0.2	0.9	19.9	29.8		472.9			16.6	10.1			
RIGHT TURN	201+44 - 200+17	127.00		444.54				0.2	0.9	24.9	37.3		444.5							
IL 4 / 100 W. RD. TURN LANES																				
LEFT TURN	102+91 - 107+73	482.00		704.27				0.5	1.4	39.4	59.2		704.3							
LEFT TURN	107+73 - 109+13	140.00	14	217.78				0.2	0.4	12.2	18.3									
SOUTHBOUND TOTALS				8,820.91			2,299.89	5.4	22.2	494.0	741.0	0.0	3,610.2	3,968.9	0.0	322.0	85.7	0.0	0.0	0.0

SIDE ROAD - 100 W. ROAD																				
MAIN LINE	9+42 - 9+89	47.00		501.02				0.4	1.0	28.1	42.1		501.0							
SIDE ROAD TOTALS				501.02			0.00	0.4	1.0	28.1	42.1	0.0	0.0	501.0	0.0	0.0	0.0	0.0	0.0	0.0
NORTHBOUND TOTALS				8,356.96			2,074.56	5.4	20.9	468.0	702.0	0.0	3,308.7	941.0	0.0	290.4	81.5	0.0	0.0	0.0
SOUTHBOUND TOTALS				8,820.91			2,299.89	5.4	22.2	494.0	741.0	0.0	3,610.2	3,968.9	0.0	322.0	85.7	0.0	0.0	0.0
INTERSECTION IMPROVEMENT TOTALS		1,968.00		17,678.89			4,374.44	11.2	44.1	990.0	1,485.0	0.0	6,918.9	5,410.9	0.0	612.4	167.2	0.0	0.0	0.0

**STATE OF ILLINOIS
DEPARTMENT OF TRANSPORTATION**

**IL 4 / IL 29 INTERSECTION IMPROVEMENT
SCHEDULE OF QUANTITIES**

FILE NAME = ...
 USER NAME = laughlinn
 DESIGNED -
 DRAWN -
 CHECKED -
 DATE -

F.A.P. RTE. 658
 SECTION
 COUNTY SANGAMON
 TOTAL SHEETS 206
 SHEET NO. 14
 CONTRACT NO. 72C35
 ILLINOIS FED. AID PROJECT

SECTION "B" -- IL 4 / IL 29 INTERSECTION IMPROVEMENT DRAINAGE SCHEDULE								
STR. NO.	STATION	INLET AND PIPE PROTECTION	MH, TY-A 4' DIA, TY 15 FRM AND LID	MH, TY-A 4' DIA, MED INLET (604101)	INLETS TY-A TY 15 F&L (18" DEPTH)	INLETS TY-A TY 15 F&L (24" DEPTH)	INLETS TO BE ADJUSTED	REMOVING INLETS
LOCATION		(EACH)	(EACH)	(EACH)	(EACH)	(EACH)	(EACH)	(EACH)
IL 4								
A	STA 107+00.00	1				1		
B	STA 105+65.00	1	1					
C	STA 105+65.00	1				1		
D	STA 104+50.00	1	1			1		
E	STA 104+50.00	1						
F	STA 103+50.00	1				1		
G	STA 103+50.00	1	1					
H	STA 102+85.00	1	1					
I	STA 102+85.00	1				1		
J	STA 102+20.00	1	1					
K	STA 102+20.00	1	1					
L	STA 102+08.00							
M	STA 101+50.00	1	1					
N	STA 101+50.00	1				1		
O	STA 200+50.00	1			1			
P	STA 200+50.00	1	1					
Q	STA 201+25.00	1				1		
R	STA 201+25.00	1						
S	STA 201+25.00	1	1					
T	STA 202+00.00	1	1					
U	STA 202+00.00	1				1		
V	STA 202+75.00	1	1					
W	STA 202+75.00	1				1		
X	STA 205+55.00	1		1				
Y	STA 110+10.00	1	1					
1	STA 110+61.00						1	
2	STA 110+54.00						1	
3	STA 110+02.00							1
4	STA 108+08.00						1	
5	STA 108+03.00						1	
6	STA 107+76.00						1	
7	STA 105+65.00							1
8	STA 103+10.00							1
9	STA 102+03.00							1
10	STA 102+00.00							1
11	STA 102+00.00							1
12	STA 207+75.00							1
13	STA 207+80.00							1
14	STA 201+00.00							1
15	STA 201+12.00							1
16	STA 205+55.00							1
GRAND TOTALS		24	12	1	1	9	5	11

FILE NAME =	USER NAME = loughlin1	DESIGNED -	REVISED -
es:\pwwork\NPWIDOT\LAUGHLIN\ldms47710\72C35-int\shdtschedule.dgn		DRAWN -	REVISED -
	PLDT SCALE = 48.0000' / IN.	CHECKED -	REVISED -
	PLDT DATE = Apr-30-2018 09:14:55AM	DATE -	REVISED -

**STATE OF ILLINOIS
DEPARTMENT OF TRANSPORTATION**

IL 4 / IL 29 INTERSECTION IMPROVEMENT SCHEDULE OF QUANTITIES	
SCALE:	SHEET NO. 3 OF 7 SHEETS STA. TO STA.

F.A.P. RTE. 658	SECTION	COUNTY	TOTAL SHEETS	SHEET NO.
		SANGAMON	206	15
CONTRACT NO. 72C35			ILLINOIS FED. AID PROJECT	

SECTION "B" -- IL 4 / IL 29 INTERSECTION IMPROVEMENT STORM SEWER

RUN	FROM STRUCTURE	TO STRUCTURE	TRENCH BACKFILL (pay as sub-base mat'l Type A) (CU YD)	STORM SEWERS CL A, TY 1 12" (FOOT)	STORM SEWERS CL A, TY 1 15" (FOOT)	STORM SEWERS CL A, TY 1 18" (FOOT)	STORM SEWER REMOVAL 12"
LOCATION							
IL 4							
100	A	B	23.2	133.6			
101	C	B	0.5	3.0			
102	D	B	27.5	111.4			
103	E	D	0.4	3.0			
104	F	G	0.5	3.5			
105	G	H	13.2	61.2			
106	I	H	0.5	3.5			
107	H	J	17.3		61.2		
108	J	K	1.5			3.5	
109	K	L	3.4			8.0	
110	M	J	17.0	66.2			
111	O	P	0.4	3.9			
112	P	R	15.2	71.0			
113	Q	R	0.6	3.9			
114	T	S	20.3		37.0		
115	U	T	0.6	3.8			
116	W	V	0.6	3.8			
117	V	T	10.8	71.0			
118	N	M	0.9	3.5			
200	3	Y					8.0
201	7	B					7.0
202	8	9					105.0
203	9	10					4.0
204	10	11					21.0
205	12	13					4.0
206	13	14					27.0
207	14	15					10.0
208	16	X					5.0
GRAND TOTALS			154	546	98	12	191

FILE NAME =	USER NAME = laughlin	DESIGNED -	REVISED -
et:\pw-work\PIWIDOT\LAUGHLIN\dlm47710\72C35-int\shd\schedule.dgn		DRAWN -	REVISED -
	PLOT SCALE = 40.0000' / IN.	CHECKED -	REVISED -
	PLOT DATE = Apr-30-2010 09:15:05AM	DATE -	REVISED -

**STATE OF ILLINOIS
DEPARTMENT OF TRANSPORTATION**

IL 4 /IL 29 INTERSECTION IMPROVEMENT SCHEDULE OF QUANTITIES			
SCALE:	SHEET NO. 4 OF 7 SHEETS	STA.	TO STA.

F.A.P. RTE. 658	SECTION •	COUNTY SANGAMON	TOTAL SHEETS 206	SHEET NO. 16
CONTRACT NO. 72C35			ILLINOIS FED. AID PROJECT	

SECTION "B" -- IL 4 / IL 29 INTERSECTION IMPROVEMENT ROADWAY SCHEDULE

DESCRIPTION	STATION TO STATION	LENGTH (FT)	SUB-BASE GRAN MAT'L TYPE A (TON)	SUB-BASE GRAN MAT'L TYPE C (TON)	HOT-MIX ASPHALT BSE CSE, 11" (SQ.YD)	HOT-MIX ASPHALT SHLDRS, 8" (SQ.YD)	CCC&G TYPE B-6.24 (FOOT)	CCC&G TYPE M-6.06 (FOOT)	CCC&G TYPE M-6.24 (FOOT)	CCC&G TYPE M-4.24 (FOOT)	CONC MEDIAN SURF, 4" (SQ.YD)	CONC MEDIAN TY SM-4.24 (SQ.YD)	CLASS SI CONCRETE (OUTLET) (CU YD)	FILTER FABRIC (SQ.YD)	STONE RIPRAP CL#3	
NORTHBOUND LANES -- IL 4/VET PKY																
MAIN LINE	112+50	109+74	276.00	0.0	44.1	23.0	105.9	0.0	0.0	0.0	273.7	64.5	5.4	0.0	0.0	0.0
MAIN LINE	109+74	107+53	221.00	17.5	69.4	40.3	80.5	0.0	0.0	0.0	304.3	101.5	6.2	0.0	0.0	0.0
MAIN LINE	107+53	104+24	329.00	320.8	204.0	596.7	0.0	0.0	0.0	0.0	659.0	298.5	0.0	0.0	0.0	0.0
MAIN LINE	104+24	101+30	294.00	403.4	159.1	837.7	0.0	0.0	0.0	0.0	575.4	232.9	11.0	0.0	0.0	0.0
MAIN LINE	101+30	100+49	81.00	148.2	33.7	117.2	0.0	0.0	0.0	0.0	0.0	49.4	0.0	0.0	0.0	0.0
STATION EQUATION 100+49.35BK = 199+51.54AH																
MAIN LINE	199+51	200+36	85.00	0.0	14.0	132.8	0.0	0.0	0.0	0.0	0.0	20.5	0.0	0.0	0.0	0.0
MAIN LINE	200+36	203+81	345.00	0.0	187.9	0.0	291.4	0.0	0.0	0.0	0.0	275.0	0.0	0.0	0.0	0.0
MAIN LINE	203+81	208+00	419.00	0.0	0.0	0.0	0.0	0.0	0.0	0.0	0.0	0.0	0.0	0.0	0.0	0.0
NORTHBOUND TOTALS			889.9	712.3	1,747.6	477.8	0.0	0.0	0.0	1,812.3	1,042.4	22.6	0.0	0.0	0.0	
SOUTHBOUND LANES -- IL 4/VET PKY																
MAIN LINE	208+00	207+20	80.00	0.0	0.0	0.0	0.0	0.0	0.0	0.0	0.0	0.0	0.0	0.0	0.0	0.0
MAIN LINE	207+20	203+81	339.00	293.9	0.0	585.5	0.0	0.0	0.0	0.0	0.0	0.0	0.0	0.0	0.0	0.0
MAIN LINE	203+81	200+36	345.00	476.3	0.0	979.3	0.0	0.0	0.0	0.0	659.3	0.0	25.0	0.0	0.0	0.0
MAIN LINE	200+36	199+52	84.00	151.1	32.2	119.4	0.0	0.0	0.0	0.0	0.0	47.1	0.0	0.0	0.0	0.0
STATION EQUATION 100+49.35BK = 199+51.54AH																
MAIN LINE	100+49	101+30	81.00	0.0	14.5	125.4	0.0	0.0	0.0	0.0	0.0	21.2	0.0	0.0	0.0	0.0
MAIN LINE	101+30	104+26	296.00	0.0	0.0	0.0	187.9	0.0	0.0	0.0	0.0	0.0	0.0	0.0	0.0	0.0
MAIN LINE	104+26	107+70	344.00	0.0	0.0	0.0	0.0	0.0	0.0	0.0	0.0	0.0	0.0	0.0	0.0	0.0
MAIN LINE	107+70	109+74	204.00	0.0	68.0	10.2	116.3	0.0	0.0	0.0	340.0	99.5	5.4	0.0	0.0	0.0
MAIN LINE	109+74	111+87	213.00	0.0	55.4	21.4	83.6	0.0	0.0	0.0	278.5	81.1	18.9	0.0	0.0	0.0
MAIN LINE	111+87	112+50	63.00	0.0	0.0	0.0	0.0	0.0	0.0	0.0	0.0	0.0	0.0	0.0	0.0	0.0
SOUTHBOUND TOTALS			921.3	170.2	1,841.2	387.8	0.0	0.0	0.0	1,277.8	249.0	49.3	0.0	0.0	0.0	
J DAVID JONES PKWY																
MAIN LINE	549+00	554+50	550.00	0.0	0.0	20.7	0.0	111.4	72.3	86.9	0.0	0.0	16.9	4.5	11.0	11.0
MAIN LINE	554+50	560+00	550.00	0.0	0.0	26.9	0.0	112.7	72.7	89.1	0.0	0.0	19.1	4.5	50.0	50.0
IL 29 TOTALS			0.0	0.0	47.6	0.0	224.0	145.0	176.0	0.0	0.0	36.0	9.0	61.0	61.0	
IL 4 NORTHBOUND TOTALS			889.9	712.3	1,747.6	477.8	0.0	0.0	0.0	1,812.3	1,042.4	22.6	0.0	0.0	0.0	
IL 4 SOUTHBOUND TOTALS			921.3	170.2	1,841.2	387.8	0.0	0.0	0.0	1,277.8	249.0	49.3	0.0	0.0	0.0	
IL 29 TOTALS			0.0	0.0	47.6	0.0	224.0	145.0	176.0	0.0	0.0	36.0	9.0	61.0	61.0	
INTERSECTION IMPROVEMENT TOTALS			1,811	882	3,636	866	224	145	176	3,090	1,291	108	9	61	61	

• I-1(RS,TS-1127RS-6179Z&102RS-4

SECTION "B" -- IL 4 / IL 29 INTERSECTION IMPROVEMENT REMOVAL SCHEDULE

DESCRIPTION	STATION TO STATION		PAVEMENT REMOVAL	CCC&G REMOVAL	MEDIAN REMOVAL	CONC MEDIAN SURFACE REMOVAL	GUTTER OUTLET REMOVAL	PAVED SHOULDER REMOVAL	REMARKS
			(SQ YD)	(FOOT)	(SQ FT)	(SQ FT)	(EACH)	(SQ YD)	
IL 4 / VET PKY									
MAIN LINE	100+82	102+75	350.3	545.0	168.2	1,475.0		311.1	WEST LEG OF IL 4
MAIN LINE	102+75	107+72	525.3				2.0	405.9	WEST LEG OF IL 4
MAIN LINE	107+72	109+50		564.0	134.1	1,430.8		276.1	WEST LEG OF IL 4
MAIN LINE	109+99	112+15	556.0		120.0	1,541.2	1.0	260.0	WEST LEG OF IL 4
STATION EQUATION 100+49.35BK = 199+51.54AH									
MAIN LINE	199+80.	202+00	393.6	551.1	15.5	1,419.8		308.5	EAST LEG OF IL 4
MAIN LINE	202+00	207+20	493.2					490.8	EAST LEG OF IL 4
IL 4 TOTALS			2,318.3	1,660.1	437.8	5,866.8	3.0	2,052.4	
IL 29 / J DAVID JONES PKWY									
MAIN LINE	553+29.	553+74		112.0	80.4	232.2			NORTH LEG OF IL 29
MAIN LINE	555+31	555+76		50.0	197.0	116.3			SOUTH LEG OF IL 29
IL 29 TOTALS			0.0	162.0	277.4	348.5	0.0	0.0	
IL 4 / IL 29 QUADRANTS									
QUADRANT	553+33	553+71	1.8	90.0		404.3			NE QUAD
QUADRANT	554+79	555+14	2.7	73.0		186.6			SE QUAD
QUADRANT	555+37	555+69	3.6	97.0		414.0		68.1	SW QUAD
QUADRANT	553+93	554+19	5.6	67.0		165.9		156.7	NW QUAD
IL 4/IL 29 QUAD TOTALS			13.7	327.0	0.0	1,170.8	0.0	224.8	
INTERSECTION IMPROVEMENT TOTALS			2,332	2,149	715	7,386	3	2,277	

FILE NAME =	USER NAME = laughlan1	DESIGNED -	REVISED -	STATE OF ILLINOIS DEPARTMENT OF TRANSPORTATION	IL 4 / IL 29 INTERSECTION IMPROVEMENT SCHEDULE OF QUANTITIES	F.A.P. RTE.	SECTION	COUNTY	TOTAL SHEETS	SHEET NO.
es:\pwwork\VPWIDOT\LAUGHLIN\ldms47710\72C35-int-aht-schedule.dgn	PLT SCALE = 48.0000' / IN.	DRAWN -	REVISED -			658	•	SANGAMON	206	18
PLT DATE = Apr-30-2018 09:15:21AM	DATE -	CHECKED -	REVISED -			CONTRACT NO. 72C35				
						SCALE:	SHEET NO. 6 OF 7 SHEETS	STA.	TO STA.	ILLINOIS FED. AID PROJECT

TRAFFIC CONTROL SURVEILLANCE	
LOCATION	TOTAL CAL DA
IL 4 / IL 29 INTERSECTION IMPROVEMENT	20

FILE NAME = c:\pw-work\PWIDOT\LAUGHLINRL\dms47710\672C35-int-sht-schedule.dgn	USER NAME = laughlinr1	DESIGNED -	REVISED -	STATE OF ILLINOIS DEPARTMENT OF TRANSPORTATION	IL 4 /IL 29 INTERSECTION IMPROVEMENT SCHEDULE OF QUANTITIES	F.A.P. RTE. 658	SECTION •	COUNTY SANGAMON	TOTAL SHEETS 206	SHEET NO. 19	
PLOT SCALE = 40.0000' / 1" IN.	CHECKED -	REVISED -	SCALE:			SHEET NO. 7 OF 7 SHEETS	STA.	TO STA.	ILLINOIS FED. AID PROJECT CONTRACT NO. 72C35		
PLOT DATE = Apr-30-2010 09:15:26AM	DATE -	REVISED -									
• 1-1(RS,TS-1127RS-6)79Z&102RS-4											

SECTION "A" (OLD IL 29 / J. DAVID JONES / WALNUT) RESURFACING SCHEDULES

NORTHBOUND

DESCRIPTION	STATION TO STATION	LENGTH (FT)	AVG. PVT. WIDTH (FT)	PAVT. AREA (SQ YD)	SHLDR WIDTH (FT)	SHLDR AREA (SQ YD)	BIT MAT PC (TON)	AGG PC (TON)	1.5" HMA SURFACE (TON)	1.5" HMA POLY MIX (TON)	1" LEVEL BINDER (TON)	2.5" HMA SURF. REM (SQYD)	1.5" HMA SHLDR REM (SQYD)	1.5" HMA SHLDR (TON)	BUTT JOINT (SQYD)	TEMP RAMPS (SQYD)	
MAIN LINE	26+67 22+85	382	30	1275	--	--	0.5	2.5	107	--	71	1,275	--	--	100.0	22.2	
MAIN LINE	22+85 21+96	89	30	296	--	--	0.1	0.6	25	--	17	296	--	--	--	--	
MAIN LINE	21+96 21+09	87	30	291	--	--	0.1	0.6	24	--	16	291	--	--	--	--	
MAIN LINE	21+09 15+30	579	30	1930	--	--	0.7	3.9	162	--	108	1,930	--	--	--	--	
MAIN LINE	15+30 13+13	217	28	675	--	--	0.3	1.4	57	--	38	675	--	--	--	--	
MAIN LINE	13+13 13+06	7	28	22	--	--	0.1	0.1	2	--	1	22	--	--	--	--	
MAIN LINE	13+06 11+48	158	30	527	--	--	0.2	1.1	44	--	30	527	--	--	--	--	
MAIN LINE	11+48 9+06	242	30	806	--	--	0.3	1.6	68	--	45	806	--	--	--	--	
MAIN LINE	9+06 7+05	201	28	614	--	--	0.2	1.2	52	--	34	614	--	--	--	--	
MAIN LINE	7+05 6+00	105	12	140	--	--	0.1	0.3	12	--	8	140	--	--	--	--	
STATION EQUATION 644+98.5BK = 6+00AH																	
MAIN LINE	644+99 625+12	1,987	12	2649	--	--	1.0	5.3	222	--	148	2,649	--	--	--	--	
MAIN LINE	625+12 619+03	609	30	2031	--	--	0.8	4.1	171	--	114	2,031	--	--	--	--	
MAIN LINE	619+03 616+00	303	28	942	--	--	0.4	1.9	79	--	53	942	--	--	--	--	
MAIN LINE	616+00 612+17	383	28	1192	--	--	0.5	2.4	100	--	67	1,192	--	--	--	--	
STATION EQUATION 612 +16.70BK = 612+15.95AH																	
MAIN LINE	612+17 605+72	645	28	2006	--	--	0.8	4.0	168	--	112	2,006	--	--	--	--	
MAIN LINE	605+72 600+50	522	26	1508	8	464	0.7	3.9	127	--	84	1,508	464	39	--	--	
MAIN LINE	600+50 583+50	1,700	26	4911	8	1,511	2.4	12.8	413	--	275	4,911	1,511	127	--	--	
MAIN LINE	583+50 581+81	169	26	489	10	188	0.3	1.4	41	--	27	489	188	16	86.7	19.3	
OMISSION: STRUCTURE NO. 084-0168 STA. 579+65.11 TO 581+80.6																	
MAIN LINE	579+65 573+63	603	26	1741	10	670	0.9	4.8	146	--	97	1,741	670	56	86.7	19.3	
OMISSION: STRUCTURE NO. 084-0168 STA. 572+57.5 TO 573+62.5																	
MAIN LINE	572+58 560+00	1,258	26	3633	10	1,397	1.9	10.1	305	--	203	3,633	1,397	117	86.7	19.3	
MAIN LINE	560+00 559+36	64	26	186	10	71	0.1	0.5	--	16	10	186	71	6	28.9	4.8	
MAIN LINE	559+36 554+00	536	26	1548	12	714	0.9	4.5	--	130	87	1,548	714	60	--	--	
MAIN LINE	554+00 549+69	431	26	1245	12	575	0.7	3.6	--	105	70	1,245	575	48	--	--	
MAIN LINE	549+69 549+00	69	26	200	12	92	0.1	0.6	--	17	11	200	92	8	28.9	4.8	
MAIN LINE	549+00 539+50	950	26	2744	12	1,267	1.5	8.0	231	--	154	2,744	1,267	106	--	--	
MAIN LINE	539+50 536+85	265	26	766	12	353	0.4	2.2	64	--	43	766	353	30	--	--	
MAIN LINE	536+85 535+21	164	26	472	12	218	0.3	1.4	40	--	26	472	218	18	--	--	
STATION EQUATION 535+21.46BK = 535+20.39AH																	
MAIN LINE	535+20 531+67	354	26	1022	12	472	0.6	3.0	86	--	57	1,022	472	40	86.7	19.3	
IL 29/ MADISON ST. / MASON ST.																	
RIGHT TURN	22+85 20+47	238	12	317	--	--	0.1	0.6	26.7	--	18	317	--	--	--	--	
LEFT TURN	22+28 20+00	228	12	304	--	--	0.1	0.6	25.5	--	17	304	--	--	--	--	
IL 29/ REYNOLDS ST.																	
LEFT TURN	17+45 15+92	153	12	204	--	--	0.1	0.4	17.1	--	11	204	--	--	--	--	
IL 29/ CARPENTER ST.																	
RIGHT TURN	14+00 11+48	252	12	336	--	--	0.1	0.7	28.2	--	19	336	--	--	--	--	
IL 29/ NORTH GRAND AVE.																	
LEFT TURN	621+55 619+36	219	12	292	--	--	0.1	0.6	24.6	--	16	292	--	--	--	--	
IL 29/ IL 4																	
LEFT TURN	558+70 555+00	370	12	493	--	--	0.2	1.0	--	41	28	493	--	--	--	--	
RIGHT TURN	558+70 554+50	420	14	878	--	--	0.3	1.8	--	74	49	878	--	--	--	--	
NORTHBOUND TOTALS					38,685	140	7,992	18	93	2,867	382	2,166	38,685	7,992	671	504	109

FILE NAME =
c:\pw-work\PIWIDOT\LAUGHLINRL\dms47710\572C35-shr-schedula.dgn

USER NAME = laughlinr1
DESIGNED -
DRAWN -
PLOT SCALE = 48.0000 "/ IN.
PLOT DATE = Apr-30-2010 09:15:30AM

CHECKED -
DATE -

REVISED -
REVISED -
REVISED -
REVISED -

**STATE OF ILLINOIS
DEPARTMENT OF TRANSPORTATION**

**SCHEDULE OF QUANTITIES
SECTION "A" (IL 29)**

SCALE: SHEET NO. 1 OF 7 SHEETS STA. TO STA.

F.A.P.
RTE.
658

SECTION
*

COUNTY
SANGAMON

TOTAL SHEETS
206

SHEET NO.
20

CONTRACT NO. 72C35

ILLINOIS FED. AID PROJECT

SECTION "A" (OLD IL 29 / J. DAVID JONES / WALNUT) RESURFACING SCHEDULES

SOUTHBOUND																	
DESCRIPTION	STATION TO STATION		LENGTH	AVG. PVT. WIDTH	PAVT. AREA	SHLDR WIDTH	SHLDR AREA	BIT MAT PC	AGG PC	1.5" HMA SURFACE	1.5" HMA POLY MIX	1" LEVEL BINDER	2.5" HMA SURF. REM	1.5" HMA SHLDR REM	1.5" HMA SHLDR	BUTT JOINT	TEMP RAMP
			(FT)	(FT)	(SQYD)	(FT)	(SQYD)	(TON)	(TON)	(TON)	(TON)	(TON)	(SQYD)	(SQYD)	(TON)	(SQYD)	(SQYD)
MAIN LINE	531+67	535+21	355	26	1,025	12	473	0.6	3.0	86	--	57	1,025	473	40	86.7	19.3
STATION EQUATION 535+21.46BK = 535+20.39AH																	
MAIN LINE	535+20	536+85	165	26	476	12	219	0.3	1.4	40	--	27	476	219	18	--	--
MAIN LINE	536+85	539+50	265	26	766	12	353	0.4	2.2	64	--	43	766	353	30	--	--
MAIN LINE	539+50	549+00	950	26	2,744	12	1,267	1.5	8.0	231	--	154	2,744	1,267	106	--	--
MAIN LINE	549+00	549+69	69	26	200	12	92	0.1	0.6	--	17	11	200	92	8	28.9	4.8
MAIN LINE	549+69	554+00	431	26	1,245	10	479	0.7	3.4	--	105	70	1,245	479	40	--	--
MAIN LINE	554+00	559+36	536	26	1,548	10	595	0.8	4.3	--	130	87	1,548	595	50	--	--
MAIN LINE	559+36	560+00	64	26	186	12	86	0.1	0.5	--	16	10	186	86	7	28.9	4.8
MAIN LINE	560+00	572+58	1,258	26	3,633	12	1,677	2.0	10.6	305	--	203	3,633	1,677	141	86.7	19.3
OMISSION: STRUCTURE NO. 084-0168 STA. 572+57.5 TO 573+62.5																	
MAIN LINE	573+63	579+65	603	26	1,741	12	803	1.0	5.1	146	--	97	1,741	803	67	86.7	19.3
OMISSION: STRUCTURE NO. 084-0168 STA. 579+65.11 TO 581+80.6																	
MAIN LINE	581+81	583+50	169	26	489	12	226	0.3	1.4	41	--	27	489	226	19	86.7	19.3
MAIN LINE	583+50	600+50	1,700	26	4,911	10	1,889	2.6	13.6	413	--	275	4,911	1,889	159	--	--
MAIN LINE	600+50	605+72	522	26	1,508	--	--	0.6	3.0	127	--	84	1,508	--	--	--	--
MAIN LINE	605+72	612+17	645	28	2,006	--	--	0.8	4.0	168	--	112	2,006	--	--	--	--
STATION EQUATION 612+16.70BK = 612+15.95AH																	
MAIN LINE	612+16	616+00	384	28	1,195	--	--	0.5	2.4	100	--	67	1,195	--	--	--	--
MAIN LINE	616+00	619+03	303	28	942	--	--	0.4	1.9	79	--	53	942	--	--	--	--
MAIN LINE	619+03	625+12	609	30	2,031	--	--	0.8	4.1	171	--	114	2,031	--	--	--	--
MAIN LINE	625+12	644+99	1,987	12	2,649	--	--	1.0	5.3	222	--	148	2,649	--	--	--	--
STATION EQUATION 644+98.5BK = 6+00AH																	
MAIN LINE	6+00	7+05	105	12	140	--	--	0.1	0.3	12	--	8	140	--	--	--	--
MAIN LINE	7+05	9+06	201	28	625	--	--	0.2	1.3	53	--	35	625	--	--	--	--
MAIN LINE	9+06	11+48	242	30	806	--	--	0.3	1.6	68	--	45	806	--	--	--	--
MAIN LINE	11+48	13+06	158	30	527	--	--	0.2	1.1	44	--	30	527	--	--	--	--
MAIN LINE	13+06	13+13	7	28	22	--	--	0.1	0.1	2	--	1	22	--	--	--	--
MAIN LINE	13+13	15+30	217	28	675	--	--	0.3	1.4	57	--	38	675	--	--	--	--
MAIN LINE	15+30	21+09	579	30	1,930	--	--	0.7	3.9	162	--	108	1,930	--	--	--	--
MAIN LINE	21+09	21+96	87	30	291	--	--	0.1	0.6	24	--	16	291	--	--	--	--
MAIN LINE	21+96	22+85	89	30	296	--	--	0.1	0.6	25	--	17	296	--	--	--	--
MAIN LINE	22+85	26+67	382	30	1,275	--	--	0.5	2.5	107	--	71	1,275	--	--	100.0	22.2
IL 29/ BROWNING RD.																	
LEFT TURN	536+00	537+64	164	6	109	--	--	0.1	0.2	9.2	--	6	109	--	--	--	--
LEFT TURN	537+64	540+17	253	12	337	--	--	0.1	0.7	28.3	--	19	337	--	--	--	--
IL 29/ IL 4 TURN LANE																	
LEFT TURN	549+70	554+00	430	12	573	--	--	0.2	1.1	--	48	32	573	--	--	--	--
RIGHT TURN	549+70	554+50	480	15	1,043	--	--	0.4	2.1	--	88	58	1,043	--	--	--	--
IL 29/ NORTH GRAND AVE.																	
LEFT TURN	616+05	619+00	295	12	393	--	--	0.1	0.8	33.0	--	22	393	--	--	--	--
RIGHT TURN	618+00	619+00	100	12	133	--	--	0.1	0.3	11.2	--	7	133	--	--	--	--
IL 29/ CARPENTER ST.																	
LEFT TURN	9+10	11+48	238	12	317	--	--	0.1	0.6	26.6	--	18	317	--	--	--	--
IL 29/ REYNOLDS ST.																	
LEFT TURN	14+62	15+62	100	12	134	--	--	0.1	0.3	11.2	--	7	134	--	--	--	--
IL 29/ MADISON ST. /MASON ST.																	
LEFT TURN	16+66	19+79	313	12	417	--	--	0.2	0.8	35.1	--	23	417	--	--	--	--
IL 29/ JEFFERSON ST.																	
RIGHT TURN	24+82	26+60	178	12	237	--	--	0.1	0.5	19.9	--	13	237	--	--	--	--
SOUTHBOUND TOTALS																	
							8,159	18	96	2,922	403	2,216	39,574	8,159	685	504	109
JOB TOTALS																	
							16,152	36	189	5,789	785	4,383	78,260	16,152	1,357	1,008	218

FILE NAME = c:\pwwork\pwwid01\LAUGHLINRL\dms47710\72C35-shr-schedule.dgn
 USER NAME = laughlinr1
 DESIGNED -
 DRAWN -
 CHECKED -
 DATE = Apr-30-2018 09:18:17AM

REVISED -
 REVISED -
 REVISED -
 REVISED -

**STATE OF ILLINOIS
 DEPARTMENT OF TRANSPORTATION**

**SCHEDULE OF QUANTITIES
 SECTION "A" (IL 29)**

SCALE: SHEET NO. 2 OF 7 SHEETS STA. TO STA.

F.A.P. RTE. 658	SECTION	COUNTY	TOTAL SHEETS	SHEET NO.
		SANGAMON	206	21
CONTRACT NO. 72C35			ILLINOIS FED. AID PROJECT	

PARKING RESURFACING & PAVEMENT MARKING SCHEDULE									
STATION TO STATION	LENGTH	AVG. PVT. WIDTH	PAVT AREA	BIT MAT PC	AGG PC	1.5" HMA SURFACE	1" LEVEL BINDER	2.5" HMA SURF. REM	
	(FT)	(FT)	(SQ YD)	(TON)	(TON)	(TON)	(TON)	(SQ YD)	
NORTHBOUND									
6+55	6+00	55	8	49	0.1	0.1	4	3	49
STATION EQUATION 644+98.5BK = 6+00AH									
644+99	626+30	1869	8	1,661	0.6	3.3	140	93	1,661
SOUTHBOUND									
626+30	644+99	1869	8	1,661	0.6	3.3	140	93	1,660
STATION EQUATION 644+98.5BK = 6+00AH									
6+00	6+55	55	8	49	0.1	0.1	4	3	49
PARKING TOTALS					1.5	7	287	192	3,419

CROSSOVER RESURFACING SCHEDULE									
STATION TO STATION	LENGTH	AVG. PVT. WIDTH	PAVT AREA	BIT MAT PC	AGG PC	1.5" HMA SURFACE	1" LEVEL BINDER	2.5 HMA SURF. REM	
	(FT)	(FT)	(SQ YD)	(TON)	(TON)	(TON)	(TON)	(SQ YD)	
562+13	562+70	57	17	108	0.1	0.2	9	6	108
569+74	570+29	55	17	104	0.1	0.2	9	6	104
576+34	576+92	58	17	110	0.1	0.2	9	6	110
595+70	596+25	55	17	104	0.1	0.2	9	6	104
605+74	606+36	62	17	117	0.1	0.2	10	7	117
612+47	612+92	45	17	85	0.1	0.2	7	5	85
614+65	615+24	59	17	111	0.1	0.2	9	6	111
CROSSOVER TOTALS					0.7	2	62.0	41.4	739

SIDE ROAD RESURFACING SCHEDULE WITH SURFACE MIX															
DESCRIPTION	STATION TO STATION	LENGTH	AVG. PAVT. WIDTH	PAVEMENT AREA	EOP HMA SHLDR WIDTH	HMA SHLDR AREA	BIT MAT PRIMECOAT	AGG PRIMECOAT	1.5" HMA SURFACE	1" LEVELING BINDER	2.5" HMA SURF. REM	1.5" HMA SHLDR	BUTT JOINT	TEMP RAMPS	
		(FT)	(FT)	(SQ YD)	(FT)	(SQ YD)	(TON)	(TON)	(TON)	(TON)	(SQYD)	(TON)	(SQYD)	(SQYD)	
BROWNING RD															
MAIN LINE	29+49	31+30	181	100	2011	10	201	0.8	4.4	169	113	2,212	28	111.1	74.1
TURN LANE	29+49	31+30	181	20	402	10	201	0.2	1.2	34	23	603	28	22.2	14.8
N. GRAND AVE EAST															
MAIN LINE	100+32	101+40	108	70	840	--	--	0.3	1.7	71	47	840	--	77.8	51.9
TURN LANE	100+32	100+80	48	18	96	--	--	0.1	0.2	8	5	96	--	20.0	13.3
TURN LANE	100+32	100+80	48	18	96	--	--	0.1	0.2	8	5	96	--	20.0	13.3
N. GRAND AVE WEST															
MAIN LINE	+30	1+45	115	70	894	--	--	0.3	1.8	75	50	894	--	77.8	51.9
TURN LANE	1+60	15+30	1,370	18	2740	--	--	1.0	5.5	230	153	2,740	--	20.0	13.3
TURN LANE	14+50	15+30	80	18	160	--	--	0.1	0.3	13	9	160	--	20.0	13.3
CARPENTER ST.															
EAST	100+30	101+45	115	73	926	--	--	0.4	1.9	78	52	926	--	80.6	53.7
SIDE ROAD TOTALS								3	17	686	457	8,568	56	449	300

FILE NAME =	USER NAME = laughtinr1	DESIGNED -	REVISED -
et:\pw\work\PWIDOT\LAUGHLINRL\dms47710\672C35-ahtr-schedule.dgn		DRAWN -	REVISED -
		CHECKED -	REVISED -
		DATE -	REVISED -

**STATE OF ILLINOIS
DEPARTMENT OF TRANSPORTATION**

SCHEDULE OF QUANTITIES			
SECTION "A" (IL 29)			
SCALE:	SHEET NO. 3 OF 7 SHEETS	STA.	TO STA.

F.A.P. RTE.	SECTION	COUNTY	TOTAL SHEETS	SHEET NO.
658	*	SANGAMON	206	22
CONTRACT NO. 72C35			ILLINOIS FED. AID PROJECT	

ENTRANCE & SIDE ROAD RESURFACING SCHEDULE WITH INCIDENTAL MIX										
DESCRIPTION	STATION TO STATION		LENGTH	AVG. PAVT. WIDTH	PAVEMENT AREA	PREP. OF BASE	BUTT JOINT	BIT MAT PRIMECOAT	AGG PRIMECOAT	INCIDENTAL BIT. SURF
			(FT)	(FT)	(SQYD)	(SQYD)	(SQYD)	(TON)	(TON)	(TON)
HMA / CE	558+43	558+90	20	39	86	86	86	0.1	0.2	12
HMA / CE	583+00	583+32	20	23	50	50	50	0.1	0.1	7
HMA / CE	595+65	596+30	20	55	121	121	121	0.1	0.2	17
YATES AVE										
EAST	10+33	10+53	20	41	91	91	91	0.1	0.2	13
WEST	9+56	9+66	10	36	40	40	40	0.1	0.1	6
MAPLE AVE										
MAIN LINE	10+34	10+54	20	53	118	118	118	0.1	0.2	16
ELLIOT AVE.										
EAST	10+20	10+40	20	38	84	84	84	0.1	0.2	12
WEST	9+60	9+80	20	38	84	84	84	0.1	0.2	12
CALHOUN ST.										
EAST	100+20	100+40	20	53	117	117	117	0.1	0.2	16
WEST	99+60	99+80	20	40	89	89	89	0.1	0.2	12
HAY ST.										
MAIN LINE	100+20	100+40	20	40	89	89	89	0.1	0.2	12
DORLAN AVE										
MAIN LINE	100+20	100+40	20	42	93	93	93	0.1	0.2	13
HERNDON ST										
MAIN LINE	100+20	100+40	20	31	69	69	69	0.1	0.1	10
MILLER ST.										
EAST	100+20	100+42	56	26	159	159	159	0.1	0.3	22
WEST	100+20	100+46	45	28	138	138	138	0.1	0.3	19
REYNOLDS ST.										
MAIN LINE	100+25	100+55	30	42	140	140	140	0.1	0.3	20
CARPENTER ST.										
WEST	99+46	99+74	28	42	131	131	131	0.1	0.3	18
SIDE ROAD RESURFACING SCHEDULE WITH INCIDENTAL MIX TOTALS						1,698	1,698	2	3	238

FILE NAME =	USER NAME = laughlinr1	DESIGNED -	REVISED -
es\pw-work\PWIDOT\LAUGHLINRL\dms47710\0572C35-shr-schedule.dgn		DRAWN -	REVISED -
PLOT SCALE = 48.0000 / / IN.		CHECKED -	REVISED -
PLOT DATE = Apr-30-2010 09:16:34AM		DATE -	REVISED -

**STATE OF ILLINOIS
DEPARTMENT OF TRANSPORTATION**

**SCHEDULE OF QUANTITIES
SECTION "A" (IL 29)**

SCALE: SHEET NO. 4 OF 7 SHEETS STA. TO STA.

F.A.P. RTE. 658	SECTION •	COUNTY SANGAMON	TOTAL SHEETS 206	SHEET NO. 23
CONTRACT NO. 72C35			ILLINOIS FED. AID PROJECT	

SECTION "A" (OLD IL 29 / J. DAVID JONES / WALNUT) PAVEMENT MARKING

DESCRIPTION	STATION TO STATION		LENGTH (FT)	URETHANE		THERMOPLASTIC					PREFORMED PLASTIC TYPE B - INLAID						SHORT TERM PVT MKG			WRKZNE PVT MKG (SQ FT)			
				5" EDGE LINES (FT)	5" MEDIAN EDGE (FT)	5" EDGE LINES (FT)	5" BIDIR TURN (FT)	5" SKIP IN TURN LN (FT)	12" CHEVRONS (FT)	8" ISLAND (FT)	STOP BARS (FT)	LETTERS & SYM. (SQ FT)	6" CROSS (FT)	6" LANE (FT)	2'x6'x6" SKIP (FT)	5" SKIP DASHE (FT)	8" (FT)	RAISED REFL. PVT MKRS (EACH)	RAISED REFL. PVT MKR REM. (EACH)		EOP (FT)	CENTER LINE (FT)	STOP BAR (FT)
NORTHBOUND LANES																							
MAIN LINE	26+70	25+42	128	--	--	128	188	32	--	--	42	--	60	--	--	32	--	3	3	18	13	252	47
MAIN LINE	25+42	24+28	114	--	--	114	114	29	--	--	--	--	--	--	29	--	3	3	17	11	--	5	
MAIN LINE	24+28	22+85	143	--	--	143	143	36	--	--	--	--	--	--	5	36	--	4	4	19	14	--	6
MAIN LINE	22+85	22+28	57	--	--	57	57	14	--	--	--	--	--	10	14	--	2	2	13	6	--	3	
MAIN LINE	22+28	21+09	119	--	--	119	229	--	--	--	--	--	--	--	30	--	4	4	18	12	--	5	
MAIN LINE	21+09	15+30	579	--	--	579	579	--	--	--	36	--	93	--	--	145	--	14	14	54	58	216	55
MAIN LINE	15+30	14+50	80	--	--	80	100	--	--	--	--	--	--	--	20	--	2	2	14	8	--	4	
MAIN LINE	14+50	13+06	144	--	--	144	288	--	--	--	--	--	--	--	36	--	5	5	20	14	--	6	
MAIN LINE	13+06	11+48	158	--	--	158	216	--	--	--	36	--	133	--	--	40	--	6	6	21	16	216	42
MAIN LINE	11+48	10+00	148	--	--	148	108	--	--	--	--	--	--	--	37	--	4	4	20	15	--	6	
MAIN LINE	10+00	7+05	295	--	--	295	590	--	--	--	--	--	--	--	46	--	7	7	32	30	--	10	
MAIN LINE	7+05	6+00	105	--	--	105	--	--	--	--	--	--	--	--	47	--	4	4	16	11	--	4	
STATION EQUATION 644+98.5BK = 6+00AH																							
MAIN LINE	644+99	625+12	1,987	--	--	1,987	--	--	--	--	--	--	162	--	--	497	--	25	25	167	199	--	61
MAIN LINE	625+12	623+84	128	--	--	128	256	--	--	54	--	--	--	--	32	--	3	3	18	13	--	5	
MAIN LINE	623+84	621+55	229	--	--	229	249	--	--	21	--	--	--	--	57	--	6	6	26	23	--	8	
MAIN LINE	621+55	619+03	252	--	--	619+03	177	--	--	28	--	--	--	--	63	--	6	6	28	25	216	45	
MAIN LINE	619+03	612+16	687	687	607	--	--	--	--	--	--	--	66	--	--	172	--	9	9	63	69	--	22
STATION EQUATION 612 +16.70BK = 612+15.95AH																							
MAIN LINE	612+17	605+72	645	645	565	--	--	--	--	--	--	--	--	--	161	--	8	8	60	64	--	21	
MAIN LINE	605+72	600+50	522	522	437	--	--	--	--	--	--	--	--	--	131	--	7	7	50	52	--	17	
MAIN LINE	600+50	583+50	1,700	1700	1615	--	--	--	--	--	--	--	--	--	425	--	21	21	144	170	--	52	
MAIN LINE	583+50	581+85	165	165	80	--	--	--	--	--	--	--	--	--	41	--	2	2	21	17	--	6	
BRIDGE	581+85	579+70	215	269	130	--	--	--	--	--	--	--	--	--	--	--	--	--	--	--	--	--	
MAIN LINE	579+70	573+63	608	608	523	--	--	--	--	--	--	--	--	--	152	--	8	8	57	61	--	20	
BRIDGE	573+63	572+58	105	131	20	--	--	--	--	--	--	--	--	--	--	--	--	--	--	--	--	--	
MAIN LINE	572+58	560+00	1,258	1258	1178	--	--	--	--	--	--	--	--	--	314	--	16	16	109	126	--	39	
MAIN LINE	560+00	559+36	64	64	64	--	--	--	--	--	--	116.6	--	--	16	--	2	2	13	6	--	3	
MAIN LINE	559+36	555+00	436	436	406	--	--	--	--	135	230	26	--	--	109	--	5	5	43	44	156	40	
MAIN LINE	555+00	549+00	600	600	480	--	--	--	--	--	--	--	--	--	150	--	8	8	56	60	--	19	
MAIN LINE	549+00	534+37	1,463	1463	1401	--	--	--	--	--	--	--	--	--	366	--	18	18	125	146	--	45	
STATION EQUATION 535+21.46BK = 535+20.39AH																							
MAIN LINE	535+21	531+67	355	355	355	--	--	--	--	--	--	--	--	--	89	--	4	4	36	35	--	12	
IL 29/ MADISON ST.																							
RIGHT TURN	22+85	20+47	238	--	--	--	--	--	--	--	--	31.2	58	--	--	--	--	--	--	--	--	--	
LEFT TURN	22+28	20+00	228	--	--	--	--	--	--	--	12	31.2	--	--	--	--	--	--	--	--	--	--	
REYNOLDS ST.																							
LEFT TURN	16+65	15+95	70	--	--	--	--	--	--	--	--	15.6	--	--	--	--	--	--	--	--	--	--	
IL 29/ CARPENTER ST.																							
RIGHT TURN	13+18	11+48	170	--	--	--	--	--	--	--	12	15.6	--	--	--	--	--	--	--	--	--	--	
IL 29/ N. GRAND AVE.																							
LEFT TURN	621+55	619+85	170	--	--	--	--	--	--	--	12	31.2	--	218	--	--	--	--	--	--	--	--	
RIGHT TURN	620+10	619+70	40	--	--	--	--	--	--	--	12	31.2	36	--	--	--	--	--	--	--	--	--	
IL 29/ IL 4																							
LEFT TURN	557+64	555+00	264	--	--	--	--	--	--	--	12	47	--	363	--	--	--	--	--	--	72	12	
RIGHT TURN	559+36	557+64	172	--	--	--	--	--	--	--	--	--	--	172	--	--	--	--	--	--	--	--	
RIGHT TURN	557+64	554+90	274	--	--	--	--	--	--	--	18	47	--	209	--	--	--	--	--	--	108	18	
NORTHBOUND TOTALS				8901	7861	4666	3294	111	238	230	254	367	765	962	15	3292	121	204	204	1277	1317	1236	638

FILE NAME =	USER NAME = laughlin1	DESIGNED -	REVISED -
es:\pw\work\PW\TODT\LAUGH\INRL\dms47710\72C35-ah-t-schedule.dgn		DRAWN -	REVISED -
PLOT SCALE = 48.0000 ' / IN.		CHECKED -	REVISED -
PLOT DATE = Apr-30-2010 8:16:40AM		DATE -	REVISED -

**STATE OF ILLINOIS
DEPARTMENT OF TRANSPORTATION**

SCHEDULE OF QUANTITIES			
SECTION "A" (IL 29)			
SCALE:	SHEET NO. 5 OF 7 SHEETS	STA.	TO STA.

F.A.P. RTE. 658	SECTION	COUNTY	TOTAL SHEETS	SHEET NO.
		SANGAMON	206	24
CONTRACT NO. 72C35			ILLINOIS FED. AID PROJECT	

SECTION "A" (OLD IL 29 / J. DAVID JONES / WALNUT) PAVEMENT MARKING

DESCRIPTION	STATION TO STATION	LENGTH (FT)	URETHANE	URETHANE	THERMOPLASTIC					PREFORMED PLASTIC TYPE B - INLAID								SHORT TERM PVT MKG			WRKZNE PVT MKG (SQ FT)		
			5" EDGE LINES (FT)	5" MEDIAN EDGE (FT)	5" EDGE LINES (FT)	5" BIDIR TURN (FT)	5" SKIP IN TURN LN (FT)	12" CHEVRONS (FT)	8" ISLAND (FT)	STOP BARS (FT)	LETTERS & SYM. (SQ FT)	6" CROSS (FT)	6" LANE (FT)	2"x 6"x 6" SKIP (FT)	5" SKIP DASHE (FT)	8" (FT)	RAISED REFL. PAVT MKRS (EACH)	RAISED REFL. PAVT MKR REM. (EACH)	EOP (FT)	CENTER LINE (FT)		STOP BAR (FT)	
SOUTHBOUND LANES																							
MAIN LINE	531+67	535+21	355	355	355	--	--	--	--	--	--	--	--	--	89		4	4	36	35	--	12	
STATION EQUATION 535+21.46BK = 535+20.39AH																							
MAIN LINE	535+20	548+00	1280	1280	1220	--	--	--	--	--	24	31.2	--	182	30	320	16	16	110	128	144	64	
MAIN LINE	548+00	549+00	100	100	100	--	--	--	--	--	--	--	--	530	48	25	2	2	16	10	--	4	
MAIN LINE	549+00	555+00	600	600	500	--	--	--	135	230	24	23	--	530	48	150	8	8	56	60	144	43	
MAIN LINE	555+00	560+00	500	500	475	--	--	--	135	230	--	--	--	--	125	--	6	6	48	50	--	16	
MAIN LINE	560+00	572+58	1258	1258	1198	--	--	--	--	--	--	--	--	--	314		16	16	109	126	--	39	
BRIDGE	572+58	573+63	105	131	105	--	--	--	--	--	--	--	--	--	--								
MAIN LINE	573+63	579+65	603	603	571	--	--	--	--	--	--	--	--	--	151		8	8	56	60	--	19	
BRIDGE	579+70	581+85	215	269	215	--	--	--	--	--	--	--	--	--	--								
MAIN LINE	581+81	583+50	169	169	169	--	--	--	--	--	--	--	--	--	42		2	2	22	17	--	6	
MAIN LINE	583+50	600+50	1700	1700	1690	--	--	--	--	--	--	--	--	--	425		21	21	144	170	--	52	
MAIN LINE	600+50	605+72	522	522	522	--	--	--	--	--	--	--	--	--	131		7	7	50	52	--	17	
MAIN LINE	605+72	612+17	645	645	595	--	--	--	--	--	--	--	--	--	161		8	8	60	64	--	21	
STATION EQUATION 612+16.70BK = 612+15.95AH																							
MAIN LINE	612+16	617+00	484	484	414	--	--	--	--	--	--	--	--	17	121		6	6	47	48	--	16	
MAIN LINE	617+00	619+03	203	203	203	--	--	--	--	--	26	--	80	328	3	51	5	5	24	20	156	33	
MAIN LINE	619+03	623+20	417	--	--	417	387	--	54	--	--	--	80	--	--	104	10	10	41	42	--	14	
MAIN LINE	623+20	625+12	192	--	--	192	322	--	21	--	--	--	--	--	28	48	5	5	23	19	--	7	
MAIN LINE	625+12	644+99	1987	--	--	1,987	68	--	119	--	--	--	162	--	497		30	30	167	199	--	61	
STATION EQUATION 644+98.5BK = 6+00AH																							
MAIN LINE	6+00	7+05	105	--	--	105	--	--	--	--	--	42	--	--	26		4	4	16	11	--	4	
MAIN LINE	7+05	10+00	295	--	--	295	590	--	81	--	--	46	--	38	74		7	7	32	30	--	10	
MAIN LINE	10+00	11+48	148	--	--	148	110	--	--	--	22	--	--	95	--	37	4	4	20	15	132	28	
MAIN LINE	11+48	13+06	158	--	--	158	212	--	27	--	--	133	--	--	40		6	6	21	16	--	6	
MAIN LINE	13+06	14+50	144	--	--	144	316	--	27	--	--	--	--	8	36		5	5	20	14	--	6	
MAIN LINE	14+50	15+30	80	--	--	80	80	--	27	--	--	--	--	56	5	20	4	4	14	8	--	4	
MAIN LINE	15+30	21+09	579	--	--	579	489	--	--	--	24	--	93	184	13	145	22	22	54	58	144	43	
MAIN LINE	21+09	22+28	119	--	--	119	154	--	--	--	--	--	--	--	30		4	4	18	12	--	5	
MAIN LINE	22+28	22+85	57	--	--	57	87	14	--	--	--	--	--	--	14		2	2	13	6	--	3	
MAIN LINE	22+85	24+28	143	--	--	143	143	36	--	--	--	--	--	--	36		5	5	19	14	--	6	
MAIN LINE	24+28	25+42	114	--	--	114	114	29	--	--	--	--	--	--	17	29	4	4	17	11	--	5	
MAIN LINE	25+42	26+70	128	--	--	128	184	32	--	--	40	--	60	--	4	32	3	3	18	13	240	45	
IL 29/ BROWNING RD.																							
LEFT TURN	537+64	540+17	253	--	--	--	--	--	--	--	12	31.2	--	--	--	--	--	--	--	--	--	--	
IL 29/ IL 4 TURN LANE																							
LEFT TURN	549+70	551+00	130	--	--	--	--	--	--	--	--	--	--	--	--	--	--	--	--	--	--	--	
LEFT TURN	551+00	555+00	400	--	--	--	--	--	--	--	12	46.8	--	--	--	--	--	--	--	--	72	12	
RIGHT TURN	549+70	551+00	130	--	--	--	--	--	--	--	--	--	--	--	--	--	--	--	--	--	--	--	
RIGHT TURN	551+00	555+00	400	--	--	--	--	--	--	--	18	46.8	--	--	--	--	--	--	--	--	108	18	
IL 29/ NORTH GRAND AVE.																							
RIGHT TURN	616+05	617+00	95	--	--	--	--	--	--	--	12	--	--	--	--	--	--	--	--	--	--	--	
LEFT TURN	617+00	618+20	120	--	--	--	--	--	--	--	12	31.2	--	--	--	--	--	--	--	--	--	--	
IL 29/ CARPENTER ST.																							
LEFT TURN	10+00	11+48	148	--	--	--	--	--	--	--	12	15.6	--	--	--	--	--	--	--	--	--	--	
IL 29/ REYNOLDS ST.																							
LEFT TURN	14+62	15+62	100	--	--	--	--	--	--	--	--	15.6	--	--	--	--	--	--	--	--	--	--	
IL 29/ MADISON ST.																							
LEFT TURN	16+66	17+58	92	--	--	--	--	--	--	--	--	--	--	--	--	--	--	--	--	--	--	--	
LEFT TURN	17+58	19+79	221	--	--	--	--	--	--	--	12	31.2	--	--	--	--	--	--	--	--	--	--	
IL 29/ JEFFERSON ST.																							
RIGHT TURN	25+42	26+70	128	--	--	--	--	--	--	--	18	15.6	52	--	--	--	--	--	--	--	--	--	
SOUTHBOUND TOTALS				8,817	8,332	4,666	3,256	111	626	460	268	288	748	1,905	260	3,271	0	222	222	1,271	1,308	1,140	620
MAINLINE TOTALS				17,719	16,193	9,332	6,550	221	864	690	522	655	1,513	2,867	274	6,563	121	426	426	2,548	2,625	2,376	1,258

FILE NAME =	USER NAME = laughlennr1	DESIGNED -	REVISED -
cd:\pw_work\PWIDOT\LAUGHLINR1\dms47710\372C35-ahtr-achdule.dgn		DRAWN -	REVISED -
PLOT SCALE = 40.0000 ' / IN.		CHECKED -	REVISED -
PLOT DATE = Apr-30-2010 09:16:47AM		DATE -	REVISED -

STATE OF ILLINOIS
DEPARTMENT OF TRANSPORTATION

SCHEDULE OF QUANTITIES
SECTION "A" (IL 29)

F.A.P. RTE. 658	SECTION *	COUNTY SANGAMON	TOTAL SHEETS 206	SHEET NO. 25
SCALE: SHEET NO. 6 OF 7 SHEETS		STA. TO STA.		CONTRACT NO. 72C35

SIDE ROAD PAVEMENT MARKING																
DESCRIPTION	STATION TO STATION	REFL. PVT MKRS (EACH)	REFL. PVT MKRS (EACH)	THERMOPLASTIC				PERFORMED PLASTIC TYPE B - INLAID				SHORT TERM PAVEMENT MARKING			WRKZNE PVT MKG REM. (SQ FT)	
				5" EOP (FT)	5" SKIP DASH (FT)	8" (FT)	12" (FT)	24" STOP BARS (FT)	LETTERS & SYM. (SQ FT)	5" (FT)	6" (FT)	EDGE OF PAVEMENT (FT)	CENTER LINE (FT)	STOP BAR (FT)		
BROWNING RD																
MAIN LINE	29+49	31+30	2	2	362	--	190	80	12	31.2		242	7	9	72	15
TURN LANE	29+49	31+30	2	2	--			--	18	31.2		--	--	--	108	18
YATES AVE																
EAST	10+33	10+53	--	--	--			--	12	--		--	--	--	72	12
WEST	9+56	9+66	--	--	--			--	12	--		--	--	--	72	12
MAPLE AVE																
MAIN LINE	10+34	10+54	--	--	--			--	20	--		--	--	--	120	20
N. GRAND AVE. EAST																
MAIN LINE	100+32	101+40	1	1	216	54	212	48	42	--	420	128	4	--	252	43
TURN LANE	100+32	100+80	1	1	--			--	18	--		72	--	--	108	18
TURN LANE	100+32	100+80	1	1	--			--	18	31.2		--	--	--	108	18
N. GRAND AVE. WEST																
MAIN LINE	+30	1+45	1	1	230	57.5	212	48	42		420	132	5	--	252	43
TURN LANE	1+60	15+30	17	17	--			--	18			72	--	--	108	18
TURN LANE	14+50	15+30	1	1	--			--	18	31.2		--	--	--	108	18
ELLIOT AVE.																
EAST	10+20	10+40	--	--	--			--	15	--		60	--	--	90	15
WEST	9+60	9+80	--	--	--			--	15	--		60	--	--	90	15
CALHOUN ST.																
EAST	100+20	100+40	--	--	--			--	20	--		80	--	--	120	20
WEST	99+60	99+80	--	--	--			--	20	--		58	--	--	120	20
HAY ST.																
MAIN LINE	100+20	100+40	--	--	--			--	12	--		60	--	--	72	12
DORLAN AVE																
MAIN LINE	100+20	100+40	--	--	--			--	12	--		60	--	--	72	12
HERNDON ST																
MAIN LINE	100+20	100+40	--	--	--			--	12	--		48	--	--	72	12
MILLER ST.																
EAST	100+20	100+42	--	--	--			--	21	--		106	--	--	126	21
WEST	100+20	100+46	--	--	--			--	16	--		64	--	--	96	16
CARPENTER ST.																
EAST	100+30	101+45	1	1	230	57.5	212	48	24	41.6		112			144	24
CARPENTER ST.																
WEST	100+28	100+56	--	--	--			--	16	--		78	--	--	96	16
REYNOLDS ST.																
MAIN LINE	100+25	100+55	--	--	--			--	16	--		74	--	--	96	16
MADISON ST. / MASON ST.																
MAIN LINE	100+25	100+55	--	--	--			--	52	--		208	--	--	312	52
TOTAL																
			28	28	1038	169	826	224	481	166	840	1714	16	9	2886	485

FILE NAME =	USER NAME = laughlinr1	DESIGNED -	REVISED -
or\pw_work\PWIDOT\LAUGHLINR1\dms47710\72C35-sht-schedule.dgn		DRAWN -	REVISED -
PLOT SCALE = 48.0000' / IN.		CHECKED -	REVISED -
PLOT DATE = Apr-30-2010 09:16:55AM		DATE -	REVISED -

**STATE OF ILLINOIS
DEPARTMENT OF TRANSPORTATION**

SCHEDULE OF QUANTITIES			
SECTION "A" (IL 29)			
SCALE:	SHEET NO. 7 OF 7 SHEETS	STA.	TO STA.

F.A.P. RTE. 658	SECTION	COUNTY	TOTAL SHEETS	SHEET NO.
		SANGAMON	206	26
CONTRACT NO. 72C35			ILLINOIS FED. AID PROJECT	

SECTION "B" - IL 4/VETERANS PKWY RESURFACING SCHEDULE																		
DESCRIPTION	STATION TO STATION		LENGTH	AVG. PAVT. WIDTH	PAVMENT AREA	EOP HMA SHLDR WIDTH	MEDIAN HMA SHLDR WIDTH	HMA SHLDR AREA	BIT MAT PRIMECOAT	AGG PRIMECOAT	LEVEL BINDER	2" POLY HMA SURFACE	HMA SURF. REM 2"	2" HMA SHLDR	AGG SHLDR	GRADE & SHAPE SHLDR	BUTT JOINT	TEMP RAMPS
			(FT)	(FT)	(SQYD)	(FT)	(FT)	(SQYD)	(TON)	(TON)	(TON)	(TON)	(SQYD)	(TON)	(TON)	(UNIT)	(SQYD)	(SQYD)
NORTHBOUND LANES - IL 4/VET PKY																		
MAIN LINE	117+50	112+50	500	24	1,333	10	6	889	0.8	4.4	75	149	2,222	100	28	10	80.0	22.2
SEE INTERSECTION IMPROVEMENT SCHEDULE FOR STA. 112+50 TO 208+00 QUANTITIES																		
MAIN LINE	208+00	215+35	735	24	1,960	10	6	1,307	1.2	6.5	--	220	3,267	146	42	15	--	--
MAIN LINE	215+35	217+10	175	24	467	10	6	311	0.3	1.6	--	52	778	35	10	4	--	--
MAIN LINE	217+10	219+70	260	24	693	10	6	462	0.4	2.3	--	78	1,156	52	15	5	--	--
MAIN LINE	219+70	221+80	210	24	560	10	7	397	0.4	1.9	--	63	957	44	6	4	--	--
MAIN LINE	221+80	222+75	95	58	612	--	--	--	0.2	1.2	--	69	612	--	--	--	--	--
MAIN LINE	222+75	223+35	60	41	273	4	--	27	0.1	0.6	--	31	300	3	2	1	--	--
MAIN LINE	223+35	223+60	25	29	79	4	7	31	0.1	0.2	--	9	110	3	1	1	--	--
MAIN LINE	223+60	224+13	53	24	141	4	7	65	0.1	0.4	--	16	206	7	2	1	--	--
MAIN LINE	224+13	238+19	1406	24	3,748	10	6	2,499	2.4	12.5	--	420	6,167	280	80	28	80.0	17.8
BRIDGE/PAVING OMISSION STATION 238+18.67 TO 243+54																		
MAIN LINE	243+54	255+48.03	1194	24	3,184	10	6	2,123	2.0	10.6	--	357	5,227	238	68	24	80.0	17.8
STATION EQUATION 255+48.03BK = 255+42.57AH																		
MAIN LINE	255+42.57	257+30	187	24	500	10	6	333	0.3	1.7	--	56	833	37	11	4	--	--
MAIN LINE	257+30	261+56	426	24	1,136	10	6	757	0.7	3.8	--	127	1,893	85	1	1	--	--
MAIN LINE	261+56	263+27	171	24	456	7	7	266	0.3	1.4	--	51	722	30	--	--	--	--
MAIN LINE	263+27	263+91	64	56	398	7	8	107	0.2	1.0	--	45	505	12	--	--	--	--
MAIN LINE	263+91	264+55	64	41	292	7	9	114	0.2	0.8	--	33	405	13	--	--	--	--
MAIN LINE	264+55	264+77	22	29	70	7	7	34	0.1	0.2	--	8	104	4	--	--	--	--
MAIN LINE	264+77	265+71	94	24	251	10	7	178	0.2	0.9	--	28	428	20	3	1	--	--
MAIN LINE	265+71	282+90.27	1719	24	4,585	10	6	3,056	2.9	15.3	--	513	7,641	342	98	34	--	--
STATION EQUATION 282+90.27BK = 482+90.26AH -NORTHBOUND																		
MAIN LINE	482+90.26	492+00	910	24	2,426	10	6	1,617	1.5	8.1	--	272	4,043	181	52	18	--	--
MAIN LINE	492+00	492+70	70	24	187	10	6	124	0.1	0.6	--	21	311	14	4	1	--	--
MAIN LINE	492+70	494+93	223	24	595	10	6	396	0.4	2.0	--	67	991	44	13	4	--	--
MAIN LINE	494+93	498+05	312	24	832	4	--	139	0.4	1.9	--	93	971	16	--	--	--	--
MAIN LINE	498+05	498+40	35	72	280	4	--	16	0.1	0.6	--	31	296	2	--	--	--	--
IL 4 / BROWNING RD. TURN LANES																		
LEFT TURN	213+35	219+70	635	13	882	--	4	282	0.4	2.3	--	99	1,164	32	--	--	--	--
LEFT TURN	219+70	221+65	195	14	303	--	--	--	0.1	0.6	--	34	303	--	--	--	--	--
RIGHT TURN	217+10	219+00	190	5	106	7	--	148	0.0	0.2	--	12	253	17	--	--	--	--
RIGHT TURN	219+00	220+80	180	12	240	4	--	80	0.1	0.5	--	27	320	9	3	1	--	--
RIGHT TURN	220+80	221+85	105	12	140	--	--	--	0.1	0.3	--	16	140	--	--	--	--	--
IL 4 / 8TH ST. TURN LANES																		
LEFT TURN	257+30	261+56	426	12	544	--	4	189	0.3	1.5	--	61	734	21	12	4	--	--
LEFT TURN	261+56	261+85	29	14	45	--	4	13	0.1	0.1	--	5	58	1	1	1	--	--
LEFT TURN	261+85	263+43	158	14	246	--	--	--	0.1	0.5	--	28	246	--	1	1	--	--
RIGHT TURN	257+56	260+00	244	6	163	7	--	190	0.1	0.7	--	18	352	21	7	2	--	--
RIGHT TURN	260+00	262+17	217	12	289	4	--	96	0.1	0.8	--	32	386	11	6	2	--	--
RIGHT TURN	262+17	263+20	103	12	137	--	--	--	0.1	0.3	--	15	137	--	--	--	--	--
IL 4 / PEORIA RD. TURN LANES																		
LEFT TURN	492+00	494+90	290	15	467	--	4	129	0.2	1.2	--	52	596	14	8	3	--	--
LEFT TURN	494+90	497+15	225	14	350	--	4	100	0.2	0.9	--	39	450	11	6	2	--	--
LEFT TURN	497+15	498+52	137	14	213	--	--	--	0.1	0.4	--	24	213	--	--	--	--	--
RIGHT TURN	492+70	494+93	223	6	149	7	--	174	0.1	0.6	--	17	323	19	6	2	--	--
RIGHT TURN	492+70	497+15	445	12	593	4	--	198	0.3	1.6	--	66	791	22	13	4	--	--
RIGHT TURN	497+15	498+38	123	18	246	--	--	--	0.1	0.5	--	28	246	--	--	--	--	--
NORTHBOUND TOTALS					30,172			16,846	18	94	75	3,379	46,858	1,887	498	180	240	58

SECTION "B" -- IL 4/VETERANS PKWY RESURFACING SCHEDULE																		
DESCRIPTION	STATION TO STATION	LENGTH	AVG. PAVT. WIDTH	PAYMENT AREA	EOP HMA SHLDR WIDTH	MEDIAN HMA SHLDR WIDTH	HMA SHLDR AREA	BIT MAT PRIMECOAT	AGG PRIMECOAT	LEVEL BINDER	2" POLY HMA SURFACE	HMA SURF. REM 2"	2" HMA SHLDR	AGG SHLDR	GRADE & SHAPE SHLDR	BUTT JOINT	TEMP RAMP	
		(FT)	(FT)	(SQYD)	(FT)	(FT)	(SQYD)	(TON)	(TON)	(TON)	(TON)	(SQYD)	(TON)	(TON)	(UNIT)	(SQYD)	(SQYD)	
SOUTHBOUND LANES -- IL 4/VET PKY																		
MAIN LINE	398+20	397+33	87	40	387	10	8	174	0.2	1.1	--	43	561	19	--	--	--	
MAIN LINE	397+33	397+00	33	29	105	10	6	59	0.1	0.3	--	12	163	7	--	--	--	
MAIN LINE	397+00	382+90.26	1410	24	3,759	10	6	2,506	2.4	12.5	--	421	6,266	281	80	28	--	
STATION EQUATION 282+90.26BK = 382+90.26AH -SOUTHBOUND																		
MAIN LINE	282+90.27	270+26	1264	24	3,371	10	6	2,248	2.1	11.2	--	378	5,619	252	72	25	--	
MAIN LINE	270+26	269+63	63	24	168	10	6	112	0.1	0.6	--	19	280	13	4	1	--	
MAIN LINE	269+63	266+00	363	24	968	10	4	565	0.6	3.1	--	108	1,533	63	21	7	--	
MAIN LINE	266+00	264+23	177	31	610	10	6	315	0.4	1.8	--	68	924	35	--	--	--	
MAIN LINE	264+23	263+59	64	56	398	--	--	--	0.2	0.8	--	45	398	--	--	--	--	
MAIN LINE	263+59	262+97	62	41	282	--	--	--	0.1	0.6	--	32	282	--	--	--	--	
MAIN LINE	262+97	262+80	17	29	54	10	6	30	0.1	0.2	--	6	84	3	1	1	--	
MAIN LINE	262+80	261+85	95	24	253	10	7	179	0.2	0.9	--	28	433	20	3	1	--	
MAIN LINE	261+85	255+42.57	642	24	1,713	10	6	1,142	1.1	5.7	--	192	2,855	128	37	13	--	
STATION EQUATION 255+48.03BK = 255+42.57AH																		
MAIN LINE	255+48.03	242+78	1270	24	3,387	10	6	2,258	2.1	11.3	--	379	5,565	253	72	25	80.0	
BRIDGE/PAVING OMISSION STATION 242+78 TO 238+30																		
MAIN LINE	238+30	228+70	960	24	2,560	10	6	1,707	1.6	8.5	--	287	4,187	191	55	19	80.0	
MAIN LINE	228+70	227+27	143	24	381	10	6	254	0.2	1.3	--	43	636	28	4	1	--	
MAIN LINE	227+27	224+57	270	24	720	10	7	510	0.5	2.5	--	81	1,230	57	8	3	--	
MAIN LINE	224+57	222+47	210	24	560	4	7	257	0.3	1.6	--	63	817	29	6	2	--	
MAIN LINE	222+47	221+52	95	56	591	--	7	74	0.3	1.3	--	66	665	8	3	1	--	
MAIN LINE	221+52	220+92	60	41	273	4	7	73	0.1	0.7	--	31	347	8	2	1	--	
MAIN LINE	220+92	220+60	32	29	101	--	7	25	0.1	0.3	--	11	126	3	1	1	--	
MAIN LINE	220+60	219+42	118	24	315	10	7	223	0.2	1.1	--	35	538	25	3	1	--	
MAIN LINE	219+42	208+00	1142	24	3,045	10	6	2,030	1.9	10.2	--	341	5,076	227	65	23	--	
SEE INTERSECTION IMPROVEMENT SCHEDULE FOR STA. 208+00 TO 112+50 QUANTITIES																		
MAIN LINE	112+50	117+50	500	24	1,333	10	6	889	1.4	4.4	75	149	2,222	100	28	10	80.0	
IL 4 / 8TH ST. TURN LANES																		
LEFT TURN	270+26	266+00	426	13	592	--	4	189	0.3	1.6	--	66	781	21	12	4	--	
LEFT TURN	266+00	265+70	30	14	47	--	4	13	0.1	0.1	--	5	60	1	1	1	--	
LEFT TURN	265+70	264+05	165	14	257	--	--	--	0.1	0.5	--	29	257	--	--	--	--	
RIGHT TURN	269+63	267+12	251	6	167	4	--	112	0.1	0.6	--	19	279	12	7	3	--	
RIGHT TURN	267+12	265+10	202	12	269	4	--	90	0.1	0.7	--	30	359	10	6	2	--	
RIGHT TURN	265+10	264+30	80	12	102	--	--	--	0.1	0.2	--	11	102	--	--	--	--	
IL 4 / BROWNING RD. TURN LANES																		
LEFT TURN	228+70	224+57	413	13	574	--	4	184	0.3	1.5	--	64	757	21	12	4	--	
LEFT TURN	224+57	224+11	46	14	72	--	4	20	0.1	0.2	--	8	92	2	1	1	--	
LEFT TURN	224+11	222+64	147	14	229	--	--	--	0.1	0.5	--	26	229	--	--	--	--	
RIGHT TURN	227+27	225+15	212	6	141	4	--	94	0.1	0.5	--	16	236	11	6	2	--	
RIGHT TURN	225+15	223+20	195	12	260	4	--	87	0.1	0.7	--	29	347	10	6	2	--	
RIGHT TURN	223+20	222+40	80	13	111	--	--	--	0.0	0.2	--	12	111	--	--	--	--	
SOUTHBOUND TOTALS					28,156			16,418	17.8	89.1	75	3,153	44,414	1,839	514	183	240	58

SECTION "B" - IL 4/VETERANS PKWY RESURFACING SCHEDULE																			
DESCRIPTION	STATION TO STATION		LENGTH	AVG. PAVT. WIDTH	PAVMENT AREA	EOP HMA SHLDR WIDTH	MEDIAN HMA SHLDR WIDTH	HMA SHLDR AREA	BIT MAT PRIMECOAT	AGG PRIMECOAT	LEVEL BINDER	2" POLY HMA SURFACE	HMA SURF. REM 2"	2" HMA SHLDR	AGG SHLDR	GRADE & SHAPE SHLDR	BUTT JOINT	TEMP RAMPS	
			(FT)	(FT)	(SQYD)	(FT)	(FT)	(SQYD)	(TON)	(TON)	(TON)	(TON)	(SQYD)	(TON)	(TON)	(UNIT)	(SQYD)	(SQYD)	
SIDE ROAD -- 100 W. ROAD																			
MAIN LINE	+20	+88	68	45	340	--	--	--	0.3	0.7	--	38	318	--	--	--	22.2	14.8	
MAIN LINE	8+75	9+17	42	45	210	--	--	--	0.2	0.4	--	24	188	--	--	--	22.2	14.8	
SIDE ROAD -- BROWNING ROAD																			
MAIN LINE	16+85	17+89	104	43	491	--	--	--	0.2	1.0	--	55	447	--	--	--	44.4	29.6	
SB RT TURN	16+85	17+67	82	26	231	--	--	--	0.1	0.5	--	26	231	--	--	--			
WB RT TURN	16+85	17+92	107	18	210	--	--	--	0.1	0.4	--	24	210	--	--	--			
MAIN LINE	19+10	20+27	117	43	553	--	--	--	0.2	1.1	--	62	508	--	--	--	44.4	29.6	
EB RT TURN	19+12	20+27	115	25	319	--	--	--	0.1	0.6	--	36	319	--	--	--			
NB RT TURN	19+40	20+05	65	24	173	--	--	--	0.1	0.3	--	19	173	--	--	--			
SIDE ROAD -- 8TH STREET																			
MAIN LINE	47+65	48+97	132	24	352	--	--	--	0.1	0.7	--	39	293	--	--	--	58.9	39.3	
SB RT TURN	47+65	48+97	132	26	379	--	--	--	0.1	0.8	--	42	379	--	--	--			
EB RT TURN	47+65	49+15	150	18	407	--	--	--	0.2	0.8	--	46	407	--	--	--			
MAIN LINE	50+20	51+65	145	32	508	--	--	--	0.2	1.0	--	57	480	--	--	--	27.8	18.5	
NB RT TURN	50+30	51+10	80	32	276	--	--	--	0.1	0.6	--	31	276	--	--	--	--	--	
WB RT TURN	50+17	51+25	108	20	239	--	--	--	0.1	0.5	--	27	239	--	--	--	--	--	
SIDE ROAD TOTALS					4,687				2.0	9.4	--	525	4,467	--	--	--	220	147	
NORTHBOUND TOTALS					30,172				16,846	18.0	93.6	75	3,379	46,858	1,887	498	180	240	58
SOUTHBOUND TOTALS					28,156				16,418	17.8	89.1	75	3,153	44,414	1,839	514	183	240	58
JOB TOTALS			9077		63,015				38	192	149	7,058	95,739	3,726	1,012	363	700	262	

FILE NAME =	USER NAME = laughlinr1	DESIGNED -	REVISED -	STATE OF ILLINOIS DEPARTMENT OF TRANSPORTATION	SCHEDULE OF QUANTITIES SECTION "B" IL 4	F.A.P. RTE.	SECTION	COUNTY	TOTAL SHEETS	SHEET NO.
et\pw\work\PWIDOT\LAUGHLINR1\dms47710\072035-ahtr-schedule.dgn	DRAWN -	REVISED -	658				SANGAMON	206	28A	
PLOT SCALE = 40.0000 ' / IN.	CHECKED -	REVISED -	CONTRACT NO. 72C35							
PLOT DATE = Apr-30-2010 09:17:18AM	DATE -	REVISED -	SCALE:			SHEET NO. 2A OF 7 SHEETS	STA. TO STA.	ILLINOIS FED. AID PROJECT		

SECTION "B" -- IL 4/VETERANS PKWY PAVEMENT MARKING SCHEDULE																			
DESCRIPTION	STATION TO STATION	LENGTH	SHORT-TERM			WORKZONE PAVT MKG REMOVAL	RAISED REFL PVT MKR	RAISED REFL. PAVT. MKR REM.	URETHANE PAVT MKG					PREFORMED PLASTIC PAVT MKG			THERMOPLASTIC		
			CENTERLINE PVT MKG	EDGE LN PVT MKG	24" STOP BAR (4"x6ea)				5" LINE YELLOW EOP	5" LINE WHITE EOP	8" WHITE MEDIAN	12" YELLOW CHEVRONS	12" WHITE CHEVRONS	5" SKIP DASH	6" LANE & SKIP LINES	24" STOP BARS	LTRS & SYMBOLS	8" LINE ISLANDS	12" LINE CHEVRONS
		(FT)	(FT)	(FT)	(FT)	(SQFT)	(EACH)	(EACH)	(FT)	(FT)	(FT)	(FT)	(FT)	(FT)	(FT)	(FT)	(SQFT)	(FT)	(FT)
NORTHBOUND LANES -- IL 4/VET PKY																			
MAIN LINE	117+50	110+00	750	75	68	--	23.8	9	9	750	750	--	50	--	188	--	--	--	--
MAIN LINE	110+00	109+50	50	--	--	--	--	1	1	--	--	--	--	--	13	--	--	--	--
MAIN LINE	109+50	108+15	135	--	19	--	3.1	2	2	135	135	--	40	--	34	--	--	--	--
MAIN LINE	108+15	107+75	40	--	11	--	1.9	1	1	--	40	--	--	--	10	--	--	--	--
MAIN LINE	107+75	102+75	500	--	--	--	--	6	6	--	--	--	--	--	125	--	--	23.0	--
MAIN LINE	102+75	101+15	160	--	21	144	3.5	2	2	--	--	--	--	--	40	--	24	23.0	--
MAIN LINE	101+15	100+49.35	66	--	--	--	--	--	--	--	--	--	--	--	--	24	--	--	--
STATION EQUATION 100+49.35BK = 199+51.54AH																			
MAIN LINE	199+51.54	200+15	63	--	--	--	--	--	--	--	--	--	--	--	10	24	--	--	--
MAIN LINE	200+15	203+82	367	37	37	--	12.3	5	5	367	367	90	130	--	92	--	--	--	--
MAIN LINE	203+82	215+35	1153	115	100	--	35.9	14	14	1153	1153	--	--	--	288	--	--	--	--
MAIN LINE	215+35	217+10	175	18	22	--	6.6	2	2	--	175	--	--	--	44	--	--	--	--
MAIN LINE	217+10	219+70	260	26	52	--	13.0	3	3	--	--	--	--	--	65	--	--	--	--
MAIN LINE	219+70	221+70	200	20	40	144	10.0	3	3	200	--	--	70	--	50	--	24	--	--
MAIN LINE	222+85	223+60	75	8	14	--	3.6	1	1	75	--	--	30	--	19	--	--	--	--
MAIN LINE	223+60	238+02	1442	144	123	--	44.6	18	18	1442	1442	--	--	--	361	--	--	--	--
BRIDGE	238+02	242+47	445	--	--	--	--	--	--	445	556	--	--	--	--	--	--	--	--
MAIN LINE	242+47	255+48.03	1301	130	112	--	40.4	16	16	1301	1301	--	--	--	325	--	--	--	--
STATION EQUATION 255+48.03BK = 255+42.57AH																			
MAIN LINE	255+42.57	257+30	187	19	23	--	7.0	2	2	187	187	--	--	--	47	--	--	--	--
MAIN LINE	257+30	258+15	85	9	15	--	3.9	1	1	--	85	--	--	--	21	--	--	--	--
MAIN LINE	258+15	261+56	341	34	35	--	11.6	4	4	--	--	--	--	--	85	--	--	--	--
MAIN LINE	261+56	263+35	179	18	22	144	6.7	2	2	179	--	--	65	--	45	--	24	--	--
MAIN LINE	264+25	264+65	40	4	11	--	2.5	1	1	40	--	--	40	--	10	--	--	--	--
MAIN LINE	264+65	282+90.27	1825	183	154	--	56.1	23	23	1825	1825	--	--	--	456	--	--	--	--
STATION EQUATION 282+90.27BK = 482+90.26AH -NORTHBOUND																			
MAIN LINE	482+90.26	492+00	910	91	81	--	28.6	11	11	910	910	--	--	--	227	--	--	--	--
MAIN LINE	492+00	492+70	70	7	14	--	3.4	1	1	--	70	--	--	--	18	--	--	--	--
MAIN LINE	492+70	494+93	223	22	26	--	8.0	3	3	--	--	--	--	--	56	--	--	--	--
MAIN LINE	494+93	498+05	312	31	33	144	10.7	4	4	312	--	--	100	--	78	--	24	--	--

FILE NAME =	USER NAME = laughlrr1	DESIGNED -	REVISED -	STATE OF ILLINOIS DEPARTMENT OF TRANSPORTATION	SCHEDULE OF QUANTITIES SECTION "B" IL 4	F.A.P. RTE. 658	SECTION *	COUNTY SANGAMON	TOTAL SHEETS 206	SHEET NO. 29			
et\pwwork\PWIDOT\LAUGHLINRL\dms47710\072C35-ght-schedule.dgn	DRAWN -	REVISED -	SCALE:								SHEET NO. 3 OF 7 SHEETS	STA. TO STA.	ILLINOIS FED. AID PROJECT
PLOT SCALE = 48.0000' / IN.	CHECKED -	REVISED -											
PLOT DATE = Apr-30-2010 09:17:23AM	DATE -	REVISED -											

SECTION "B" - IL 4/VETERANS PKWY PAVEMENT MARKING SCHEDULE																			
DESCRIPTION	STATION TO STATION	LENGTH	SHORT-TERM			WORKZONE PAVT MKG REMOVAL	RAISED REFL PVT MKR	RAISED REFL. PAVT. MKR REM.	URETHANE PAVT MKG					PREFORMED PLASTIC PAVT MKG				THERMOPLASTIC	
			CENTERLINE PVT MKG	EDGE LN PVT MKG	24" STOP BAR (4"x6ea)				5" LINE YELLOW EOP	5" LINE WHITE EOP	8" WHITE MEDIAN	12" YELLOW CHEVRONS	12" WHITE CHEVRONS	5" SKIP DASH	6" LANE & SKIP LINES	24" STOP BARS	LTRS & SYMBOLS	8" LINE ISLANDS	12" LINE CHEVRONS
		(FT)	(FT)	(FT)	(FT)	(SQFT)	(EACH)	(EACH)	(FT)	(FT)	(FT)	(FT)	(FT)	(FT)	(FT)	(FT)	(SQFT)	(FT)	(FT)
IL 4 / IRWIN ST. TURN LANES																			
LEFT TURN	111+50	110+00	150	--	--	--	--	--	150.00	150	--	--	--	--	--	14	15.6	--	--
IL 4 / IL 29 TURN LANES																			
LEFT TURN	108+15	105+23	292	--	--	--	--	--	292.00	--	--	20	--	--	73	--	--	--	--
LEFT TURN	105+23	104+24	99	--	--	--	8	8	99.00	198	--	--	--	--	--	--	15.6	--	--
LEFT TURN	104+24	101+35	289	29	58	144	14.5	21	289.00	578	--	--	--	--	289	24	124.8	--	--
RIGHT TURN	107+75	104+90	285	--	31	--	5.1	--	--	285	--	--	--	--	71	--	--	--	--
RIGHT TURN	104+90	102+00	290	--	31	108	5.2	8	290	290	--	--	--	--	290	--	62.4	--	--
RIGHT TURN	102+00	556+00	90	--	15	--	2.5	--	--	90	--	--	--	--	--	18	--	240	150
IL 4 / BROWNING RD. TURN LANES																			
LEFT TURN	215+35	219+70	435	--	43	--	7.1	--	435	--	--	--	--	--	66	--	--	--	--
LEFT TURN	218+00	219+70	170	--	--	--	--	12	12	--	--	340	--	150	--	--	31.2	--	--
LEFT TURN	219+70	221+65	195	--	24	84	3.9	--	195	195	--	--	--	--	14	31.2	--	--	--
RIGHT TURN	217+10	219+00	190	--	23	--	3.9	--	190	190	--	--	--	--	48	--	--	--	--
RIGHT TURN	219+00	221+20	220	--	26	--	4.3	7	220	220	--	--	--	--	220	--	46.8	--	--
IL 4 / 8TH ST. TURN LANES																			
LEFT TURN	257+30	261+56	426	--	42	--	7.0	--	426	--	--	--	--	--	68	--	--	--	--
LEFT TURN	260+00	261+56	156	--	--	--	--	10	10	--	--	312	--	120	--	--	31.2	--	--
LEFT TURN	261+85	263+43	158	--	21	84	3.4	--	158	158	--	--	--	--	14	31.2	--	--	--
RIGHT TURN	257+56	260+25	269	--	30	--	4.9	--	269	269	--	--	--	--	68	--	--	--	--
RIGHT TURN	260+25	262+35	210	--	25	--	4.1	7	210	210	--	--	--	--	210	--	46.8	--	--
IL 4 / PEORIA RD. TURN LANES																			
LEFT TURN	492+00	494+93	293	--	31	--	5.2	--	293	--	--	--	--	--	38	--	--	--	--
LEFT TURN	493+50	494+93	143	--	--	--	--	10	10	--	--	286	--	110	--	--	31.2	--	--
LEFT TURN	494+93	498+00	307	--	33	84	5.4	--	307	307	--	--	--	--	14	46.8	--	--	--
RIGHT TURN	492+70	494+93	223	--	26	--	4.3	--	223	223	--	--	--	--	56	--	--	--	--
RIGHT TURN	494+93	497+37	244	--	28	--	4.6	7	244	244	--	--	--	--	244	--	46.8	--	--
RIGHT TURN	497+37	498+00	123	--	--	108	--	--	123	123	--	--	--	--	--	18	--	--	--
NORTHBOUND TOTALS			1018	1518	1188	422.8	225	225	11965	12727	1028	545	380	2705	1787	212	607.6	240.0	150.0

FILE NAME =	USER NAME = laughlrr1	DESIGNED -	REVISED -	STATE OF ILLINOIS DEPARTMENT OF TRANSPORTATION	SCHEDULE OF QUANTITIES SECTION "B" IL 4				F.A.P. RTE. 658	SECTION •	COUNTY SANGAMON	TOTAL SHEETS 206	SHEET NO. 30
et:\pwwork\pwwid\LAUGHLIN\l\dm47710\672C35-eh-t-schedule.dgn		DRAWN -	REVISED -		SCALE:	SHEET NO. 4 OF 7 SHEETS	STA.	TO STA.	ILLINOIS FED. AID PROJECT				
PLOT SCALE = 40.0000' / IN.		CHECKED -	REVISED -										
PLOT DATE = Apr-30-2010 09:17:28AM		DATE -	REVISED -										

SECTION "B" -- IL 4/VETERANS PKWY PAVEMENT MARKING SCHEDULE																			
DESCRIPTION	STATION TO STATION	LENGTH	SHORT-TERM			WORKZONE PAVT MKG REMOVAL	RAISED REFL PVT MKR	RAISED REFL. PAVT. MKR REM.	URETHANE PAVT MKG					PREFORMED PLASTIC PAVT MKG				THERMOPLASTIC	
			CENTERLINE PVT MKG	EDGE LN PVT MKG	24" STOP BAR (4"x6ea)				5" LINE YELLOW EOP	5" LINE WHITE EOP	8" WHITE MEDIAN	12" YELLOW CHEVRONS	12" WHITE CHEVRONS	5" SKIP DASH	6" LANE & SKIP LINES	24" STOP BARS	LTRS & SYMBOLS	8" LINE ISLANDS	12" LINE CHEVRONS
		(FT)	(FT)	(FT)	(FT)	(SQFT)	(EACH)	(EACH)	(FT)	(FT)	(FT)	(FT)	(FT)	(FT)	(FT)	(FT)	(SQFT)	(FT)	(FT)
SOUTHBOUND LANES -- IL 4/VET PKY																			
MAIN LINE	397+67	397+00	67	7	13	108	3.3	1	1	67	80	--	30	--	17	--	18	--	--
MAIN LINE	397+00	382+90.26	1410	141	121	--	43.6	18	18	1410	1410	--	--	--	352	--	--	--	--
STATION EQUATION 282+90.26BK = 382+90.26AH -SOUTHBOUND																			
MAIN LINE	282+90.27	270+26	1264	126	109	--	39.3	16	16	1264	1264	--	--	--	316	--	--	--	--
MAIN LINE	270+26	269+50	76	8	14	--	3.6	1	1	--	76	--	--	--	19	--	--	--	--
MAIN LINE	269+50	266+00	350	35	36	--	11.8	4	4	--	--	--	--	--	88	--	--	--	--
MAIN LINE	266+00	264+23	177	18	22	144	6.6	2	2	177	--	--	60	--	44	--	24	--	--
MAIN LINE	263+25	262+85	40	4	11	--	2.5	1	1	40	--	--	50	--	10	--	--	--	--
MAIN LINE	262+85	261+85	100	10	16	--	4.3	1	1	100	100	--	--	--	25	--	--	--	--
MAIN LINE	261+85	255+42.57	642	64	59	--	20.6	8	8	642	642	--	--	--	161	--	--	--	--
STATION EQUATION 255+48.03BK = 255+42.57AH																			
MAIN LINE	255+48.03	242+78	1270	127	110	--	39.4	16	16	1270	1270	--	--	--	318	--	--	--	--
BRIDGE	242+78	238+30	448	--	--	--	--	--	--	448	560	--	--	--	--	--	--	--	--
MAIN LINE	238+30	228+85	945	95	84	--	29.7	12	12	945	945	--	--	--	236	--	--	--	--
MAIN LINE	228+85	227+27	158	16	21	--	6.1	2	2	--	158	--	--	--	40	--	--	--	--
MAIN LINE	227+27	224+57	270	27	30	--	9.4	3	3	--	--	--	--	--	68	--	--	--	--
MAIN LINE	224+57	222+55	202	20	24	144	7.4	3	3	202	--	--	70	--	51	--	24	--	--
MAIN LINE	221+40	220+70	70	7	14	--	3.4	1	1	70	--	--	40	--	18	--	--	--	--
MAIN LINE	220+70	207+20	1350	135	116	--	41.8	17	17	1350	1350	--	--	--	338	--	--	--	--
MAIN LINE	207+20	206+60	60	6	13	--	3.1	1	1	--	60	--	--	--	15	--	--	--	--
MAIN LINE	206+26	200+20	606	61	--	144	10.1	8	8	--	606	90	130	--	151	1140	24	46.0	--
MAIN LINE	200+20	199+51.54	68	--	--	--	--	--	--	--	--	--	--	--	24	--	--	--	--
STATION EQUATION 100+49.35BK = 199+51.54AH																			
MAIN LINE	100+49.35	101+15	66	--	--	--	--	--	--	--	--	--	--	--	24	--	--	--	--
MAIN LINE	101+15	103+00	185	19	23	--	6.9	2	2	185	185	--	90	--	46	--	--	--	--
MAIN LINE	103+00	107+35	435	44	21	--	10.8	5	5	--	435	--	--	--	109	--	--	--	--
MAIN LINE	107+35	108+80	145	15	20	--	5.7	2	2	145	145	--	40	--	36	--	--	--	--
MAIN LINE	108+80	109+50	70	--	14	--	2.3	1	1	70	70	--	30	--	18	--	--	--	--
MAIN LINE	109+50	110+20	70	--	--	--	--	1	1	--	--	--	--	--	18	--	--	--	--
MAIN LINE	110+20	117+50	730	--	66	--	11.1	9	9	730	730	--	40	--	183	--	--	--	--

FILE NAME =	USER NAME = laughlinr1	DESIGNED -	REVISED -	STATE OF ILLINOIS DEPARTMENT OF TRANSPORTATION	SCHEDULE OF QUANTITIES SECTION "B" IL 4			F.A.P. RTE. 658	SECTION •	COUNTY SANGAMON	TOTAL SHEETS 206	SHEET NO. 31
et:\pwwork\pwwid\LAUGHLINR1\dms47710\	72C35-shr-schedule.dgn	DRAWN -	REVISED -		SCALE:	SHEET NO. 5 OF 7 SHEETS	STA.	TO STA.	CONTRACT NO. 72C35			
	PLOT SCALE = 40.0000 / / IN.	CHECKED -	REVISED -		ILLINOIS FED. AID PROJECT							
	PLOT DATE = Apr-30-2010 09:26:47AM	DATE -	REVISED -									

SECTION "B" -- IL 4/VETERANS PKWY PAVEMENT MARKING SCHEDULE

DESCRIPTION	STATION TO STATION	LENGTH (FT)	SHORT-TERM			WORKZONE PAVT MKG REMOVAL (SQFT)	RAISED REFL PVT MKR (EACH)	RAISED REFL. PAVT. MKR REM. (EACH)	URETHANE PAVT MKG					PREFORMED PLASTIC PAVT MKG			THERMOPLASTIC				
			CENTERLINE PVT MKG (FT)	EDGE LN PVT MKG (FT)	24" STOP BAR (4"x6ea) (FT)				5" LINE YELLOW EOP (FT)	5" LINE WHITE EOP (FT)	8" WHITE MEDIAN (FT)	12" YELLOW CHEVRONS (FT)	12" WHITE CHEVRONS (FT)	5" SKIP DASH (FT)	6" LANE & SKIP LINES (FT)	24" STOP BARS (FT)	LTRS & SYMBOLS (SQFT)	8" LINE ISLANDS (FT)	12" LINE CHEVRONS (FT)		
IL 4 / 8TH ST. TURN LANES																					
LEFT TURN	270+26	266+00	426	--	42	--	7.0	--	--	426.00	--	--	--	--	--	58	--	--	--		
LEFT TURN	268+00	266+00	200	--	--	--	--	12	12	--	--	400	--	80	--	--	--	31.2	--		
LEFT TURN	266+00	264+25	175	--	22	84	3.7	--	--	175.00	175	--	--	--	--	14	14	31.2	--		
RIGHT TURN	269+63	267+12	251	--	28	--	--	--	--	--	251	--	--	--	--	64	--	--	--		
RIGHT TURN	267+12	264+90	222	--	26	--	--	7	7	--	222	--	--	--	--	222	--	46.8	--		
IL 4 / BROWNING RD. TURN LANES																					
LEFT TURN	228+85	224+57	428	--	42	--	7.0	--	--	428.00	--	--	--	--	--	60	--	--	--		
LEFT TURN	226+50	224+57	193	--	--	--	--	12	12	--	--	386	--	80	--	--	--	31.2	--		
LEFT TURN	224+57	222+90	167	--	21	84	3.6	--	--	167.00	167	--	--	--	--	14	14	31.2	--		
RIGHT TURN	227+27	225+50	177	--	22	--	--	--	--	--	177	--	--	--	--	44	--	--	--		
RIGHT TURN	225+50	223+00	250	--	28	--	--	8	8	--	250	--	--	--	--	250	--	46.8	--		
IL 4 / IL 29 TURN LANES																					
LEFT TURN	207+20	204+16	304	--	61	--	10.1	--	--	304.00	--	--	--	--	--	76	--	--	--		
LEFT TURN	204+16	203+30	86	--	17	--	2.9	8	8	86.00	172	--	--	--	--	--	--	15.6	--		
LEFT TURN	203+30	200+20	310	31	62	144	15.5	21	21	310.00	620	--	--	--	--	310	24	124.8	--		
RIGHT TURN	206+60	204+16	244	--	49	--	8.1	--	--	--	244	--	--	--	--	61	--	--	--		
RIGHT TURN	204+16	201+20	296	--	59	--	9.9	8	8	--	296	--	--	--	--	296	--	46.8	--		
RIGHT TURN	201+20	552+85	90	--	--	108	--	--	--	--	90	--	--	--	--	--	18	15.6	240		
IL 4 / IRWIN ST. TURN LANES																					
LEFT TURN	103+00	105+50	250	--	--	--	--	--	--	250.00	--	--	--	--	--	63	--	--	--		
LEFT TURN	105+50	107+35	185	--	--	--	--	12	12	185.00	185	370	--	30	--	--	--	30.0	--		
LEFT TURN	107+35	109+50	215	--	--	84	--	--	--	215.00	215	--	--	--	--	14	14	15.6	--		
SOUTHBOUND TOTALS					1013	1436	1044	390.8	222	222	11661	13150	1246	580	190	2673	2690	174	512.8	240.0	150.0

SIDE ROAD -- IRWIN STREET																					
MAIN LINE	8+75	9+17	42	--	--	--	--	--	--	--	84	--	--	--	--	--	20	--	--		
SIDE ROAD -- BROWNING ROAD																					
MAIN LINE	16+85	17+80	95	19	--	144	3.2	8	8	190	--	--	--	--	--	95	24	31.2	--		
SB RT TURN	220+70	16+85	110	--	--	108	--	--	--	--	110	--	--	--	--	--	18	--	410		
WB RT TURN	16+85	223+00	165	--	--	96	--	--	--	--	165	--	--	--	--	--	16	--	510		
MAIN LINE	19+20	20+27	107	21	--	144	3.6	10	10	214	--	--	--	--	--	107	24	31.2	--		
EB RT TURN	221+20	20+27	180	--	--	96	--	--	--	--	180	--	--	--	--	--	16	--	630		
NB RT TURN	20+27	223+60	145	--	--	108	--	--	--	--	145	--	--	--	--	--	18	--	360		
SIDE ROAD -- 8TH STREET																					
MAIN LINE	47+65	48+90	125	25	--	72	4.2	4	4	250	--	--	--	--	--	--	12	26.0	--		
MAIN LINE	47+65	48+35	70	14	--	--	2.3	3	3	--	--	--	--	--	--	70	--	15.6	--		
SB RT TURN	262+35	47+65	120	--	--	108	--	--	--	--	120	--	--	--	--	--	18	--	720		
EB RT TURN	47+65	264+65	200	--	--	96	--	--	--	--	200	--	--	--	--	--	16	--	510		
MAIN LINE	50+25	51+65	140	28	--	72	4.7	5	5	280	--	--	--	--	--	--	12	26.0	--		
NB RT TURN	264+90	51+65	140	--	--	108	--	--	--	--	140	--	--	--	--	--	18	--	500		
WB RT TURN	51+65	262+85	235	--	--	96	--	--	--	--	235	--	--	--	--	--	16	--	490		
SIDE ROAD TOTALS					107	--	1,248	17.9	30	30	934	1379	--	--	--	272	228	130.0	4130.0	765.0	
NORTHBOUND TOTALS					1,018	1,518	1,188	422.8	225	225	11,965	12727	1028	545	380	2705	1787	212	607.6	240.0	150.0
SOUTHBOUND TOTALS					1,013	1,436	1,044	390.8	222	222	11,661	13150	1246	580	190	2673	2690	174	512.8	240.0	150.0
JOB TOTALS					2,139	2,954	3,480	831	476	476	24,113	26696	2274	1125	570	5378	4749	614	1250	4610	1065

FILE NAME =
 USER NAME = laughlirl
 DRAWN -
 CHECKED -
 DATE -
 PLOT SCALE = 48.0000' / IN.
 PLOT DATE = Apr-30-2010 09:26:53AM

DESIGNED -
 DRAWN -
 CHECKED -
 DATE -

REVISED -
 REVISED -
 REVISED -
 REVISED -

**STATE OF ILLINOIS
 DEPARTMENT OF TRANSPORTATION**

**SCHEDULE OF QUANTITIES
 SECTION "B" IL 4**

SCALE: SHEET NO. 6 OF 7 SHEETS STA. TO STA.

F.A.P. RTE. 658	SECTION	COUNTY	TOTAL SHEETS	SHEET NO.
		SANGAMON	206	32
			CONTRACT NO. 72C35	

ILLINOIS FED. AID PROJECT

SECTION "B" -- IL 4/VET. PKWY UNDERDRAIN CLEANING AND MARKERS SCHEDULE				
NORTHBOUND		LENGTH	CLEANING	MARKERS
STATION	STATION	(FT)	(EACH)	(EACH)
111+50	100+49.35	1100.65	4	4
STATION EQUATION 100+49.35BK = 199+51.54AH				
199+52	238+02.	3850.46	16	16
BRIDGE/PAVING OMISSION STATION 238+02 TO 242+47				
242+47	255+48.03	1301.03	6	6
STATION EQUATION 255+48.03BK = 255+42.57AH				
255+43	282+90.27	2747.7	12	12
STATION EQUATION 282+90.27BK = 482+90.26AH -NORTHBOUND				
482+90	498+05.	1514.74	6	6
NB TOTALS			44	44
SOUTHBOUND		LENGTH	CLEANING	MARKERS
STATION	STATION	(FT)	(EACH)	(EACH)
397+67	382+90.26	1476.74	6	6
STATION EQUATION 282+90.26BK = 382+90.26AH -SOUTHBOUND				
282+90.27	255+43	2747.7	12	12
STATION EQUATION 255+48.03BK = 255+42.57AH				
255+48.03	242+78	1270.03	6	6
BRIDGE/PAVING OMISSION STATION 242+78 TO 238+30				
238+30.	199+52	3878.46	16	16
STATION EQUATION 100+49.35BK = 199+51.54AH				
100+49.35	111+50	1100.65	4	4
SB TOTALS			44	44
TOTALS			88	88

FILE NAME =	USER NAME = laughlinr1	DESIGNED -	REVISED -
es:\pw_work\PWIDOT\LAUGHLINR1\dms47718\0672C35-sht-schedule.dgn		DRAWN -	REVISED -
		CHECKED -	REVISED -
		DATE -	REVISED -

**STATE OF ILLINOIS
DEPARTMENT OF TRANSPORTATION**

SCHEDULE OF QUANTITIES SECTION "B" IL 4			
SCALE:	SHEET NO. 7 OF 7 SHEETS	STA.	TO STA.

F.A.P. RTE.	SECTION	COUNTY	TOTAL SHEETS	SHEET NO.
658	•	SANGAMON	206	33
ILLINOIS FED. AID PROJECT			CONTRACT NO. 72C35	

SECTION "C" PEORIA RD. RESURFACING SCHEDULE																		
DESCRIPTION	STATION TO STATION	LENGTH (FT)	AVG. PAVT WIDTH (FT)	PAVEMENT AREA (SQ YD)	EOP SHLDR WIDTH (FT)	MED SHLDR WIDTH (FT)	SHLDR AREA (SQ YD)	BIT MAT PRIMECOAT (TON)	AGG PRIMECOAT (TON)	1.5" HMA SURFACE (TON)	2.0" POLYMER HMA SURFACE (TON)	2.5" HMA SURF. REM (SQ YD)	2" HMA SURF. REM (SQ YD)	1" LEVELING BINDER (TON)	HMA SHLDR (TON)	Butt Joint (SQYD)	Temp Ramps (SQYD)	
NORTHBOUND LANES																		
MAIN LINE	52+40	52+50	10.00	30	33	--	--	0.1	0.1	3	--	33	--	2	--	100	22	
MAIN LINE	52+50	52+55	5.00	30	17	--	--	0.1	0.1	1	--	17	--	1	--	--	--	
MAIN LINE	52+55	78+45	2,590.12	32	9,209	--	--	3.5	18.4	774	--	9,209	--	516	--	--	--	
STA. EQN 78+45.12(BK) = 1+56.70(AH)																		
MAIN LINE	1+57	14+50	1,293.30	32	4,598	--	--	1.7	9.2	386	--	4,598	4,598	258	--	--	--	
MAIN LINE	14+50	15+17	67.25	29.5	220	--	--	0.1	0.4	--	25	--	220	--	--	--	--	
STA. EQN 15+17.25(BK) = 144+00.00(AH)																		
MAIN LINE	144+00	151+34	734.00	28	2,284	--	--	0.9	4.6	--	256	--	2,284	--	--	--	--	
MAIN LINE	498+40	499+12	72.00	39	312	10	7	136	0.1	0.6	--	35	--	312	--	--	--	
MAIN LINE	499+12	500+86	174.41	28	543	10	7	329	0.2	1.1	--	61	--	543	37	--	--	
MAIN LINE	500+86	504+67	380.59	27.5	1,163	10	8	761	0.4	2.3	--	130	--	1,163	85	--	--	
MAIN LINE	504+67	505+84	117.00	28	364	10	--	130	0.1	0.7	--	41	--	364	15	--	--	
MAIN LINE	505+84	508+44	260.00	28	809	10	--	289	0.3	1.6	--	91	--	809	32	--	--	
MAIN LINE	508+44	512+74	430.00	28	1,338	10	2	573	0.5	2.7	--	150	--	1,338	64	--	--	
MAIN LINE	512+74	512+84	10.00	28.5	32	--	1	1	0.1	0.1	--	4	--	32	0.1	95	21	
PEORIA RD. / IL 4/VETERANS AVE. TURN LANES																		
LEFT TURN	151+34	152+72	138	10	153	--	--	0.1	0.3	--	17	--	153	--	--	--	--	
LEFT TURN	152+72	156+06	334	16	594	--	--	0.2	1.2	--	67	--	594	--	--	--	--	
RIGHT TURN	151+34	156+06	472	16	839	--	--	0.3	1.7	--	94	--	839	--	--	--	--	
RIGHT TURN	151+34	156+06	472	16	839	--	--	0.3	1.7	--	94	--	839	--	--	--	--	
PEORIA RD. / WATERWORKS RD. TURN LANES																		
LEFT TURN	504+10	505+84	174	11	213	2	0	39	0.1	0.1	--	24	--	213	4	--	--	
LEFT TURN	505+84	507+93	209	18	418	2	3.8	135	0.2	0.1	--	47	--	418	15	--	--	
NORTHBOUND TOTALS																		
					23,978	64	29	2,393	9	47	1,164	1,133	13,858	14,719	776	253	195	43

FILE NAME =	USER NAME = laughl1nrl	DESIGNED -	REVISED -	STATE OF ILLINOIS DEPARTMENT OF TRANSPORTATION	SCHEDULE OF QUANTITIES SECTION "C" (PEORIA RD.)	F.A.P. RTE. 658	SECTION *	COUNTY SANGAMON	TOTAL SHEETS 206	SHEET NO. 34		
et\pwwork\pwwdot\LAUGHLINRL\dms47710\0572035-shr-sched.le.dgn	PLOT SCALE = 48.0000' / 1" IN.	DRAWN -	REVISED -			SCALE:	SHEET NO. 1 OF 3 SHEETS	STA.	TO STA.	ILLINOIS FED. AID PROJECT		
	PLOT DATE = Apr-30-2010 11:14:23AM	CHECKED -	REVISED -			CONTRACT NO. 72C35						
		DATE -	REVISED -									

SECTION "C" PEORIA RD. RESURFACING SCHEDULE																		
DESCRIPTION	STATION TO STATION		LENGTH	AVG. PAVT WIDTH	PAVEMENT AREA	EOP SHLDR WIDTH	MED SHLDR WIDTH	SHLDR AREA	BIT MAT PRIMECOAT	AGG PRIMECOAT	1.5" HMA SURFACE	2.0" POLYMER HMA SURFACE	2.5" HMA SURF. REM	2" HMA SURF. REM	1" LEVELING BINDER	HMA SHLDR	Butt Joint	Temp Ramps
			(FT)	(FT)	(SQ YD)	(FT)	(FT)	(SQ YD)	(TON)	(TON)	(TON)	(TON)	(SQ YD)	(SQ YD)	(TON)	(TON)	(SQYD)	(SQYD)
SOUTHBOUND LANES																		
MAIN LINE	412+27	412+17	10	29	32	10	--	12	0.1	0.1	--	4	--	32	--	1	97	21
MAIN LINE	412+17	406+90	527	27	1581	10	--	644	0.6	3.2	--	177	--	1,581	--	72	--	--
MAIN LINE	406+90	404+19	271	28	843	10	4	422	0.3	1.7	--	94	--	843	--	47	--	--
MAIN LINE	404+19	400+40	379	29	1221	10	--	463	0.5	2.4	--	137	--	1,221	--	52	--	--
MAIN LINE	400+40	398+95	145	29.5	475	--	14.5	7.2	0.2	1.0	--	53	--	475	--	13	--	--
MAIN LINE	398+95	398+20	75	37	308	--	7	58	0.1	0.6	--	35	--	308	--	7	--	--
MAIN LINE	156+06	154+90	116	33	426	--	--	--	0.2	0.9	--	48	--	426	--	--	--	--
MAIN LINE	154+90	151+34	356	28	1108	--	--	--	0.4	2.2	--	124	--	1,108	--	--	--	--
MAIN LINE	151+34	144+00	734	28	2284	--	--	--	0.9	4.6	--	256	--	2,284	--	--	--	--
STA. EQN 15+17.25(BK) = 144+00.00(AH)																		
MAIN LINE	15+17	14+50	67	29.5	220	--	--	--	0.1	0.4	--	25	--	220	--	--	--	--
MAIN LINE	14+50	1+57	1293	31.5	4527	--	--	--	1.7	9.1	380	--	32	4,527	253	--	--	--
STA EQN 78+45.12(BK) = 1+56.70(AH)																		
MAIN LINE	78+45	52+55	2590	32	9209	--	--	--	3.5	18.4	774	--	32	9,209	516	--	--	--
MAIN LINE	52+55	52+50	5	28.5	16	--	--	--	0.1	0.1	1	--	29	16	1	--	--	--
MAIN LINE	52+50	52+40	10	29	32	--	--	--	0.1	0.1	3	--	29	32	2	--	97	21
PEORIA RD. / WATERWORKS RD. TURN LANES																		
LEFT TURN	407+86	407+34	52	23	133	--	--	--	0.1	0.3	--	15	--	133	--	--	--	--
LEFT TURN	409+45	407+86	159	20.5	362	--	2	35	0.1	1.4	--	41	--	362	--	4	--	--
LEFT TURN	411+70	409+45	225	11	275	--	2	50	0.1	1.1	--	31	--	275	--	6	--	--
PEORIA RD. / IL 4/VETERANS AVE. TURN LANES																		
RIGHT TURN	498+07	497+76	52	22.2	128	--	--	--	0.1	0.3	--	14	--	128	--	--	--	--
LEFT TURN	401+19	398+38	281	17	531	--	--	--	0.2	1.1	--	59	--	531	--	--	--	--
LEFT TURN	401+19	398+38	281	19	593	--	--	--	0.2	1.2	--	66	--	593	--	--	--	--
LEFT TURN	404+15	401+19	296	10	329	--	--	--	0.1	0.7	--	37	--	329	--	--	--	--
LEFT TURN	404+15	401+19	296	10	329	--	--	--	0.1	0.7	--	37	--	329	--	--	--	--
RIGHT TURN	399+87	398+37	182	19.2	388	4	--	81	0.1	0.8	--	43	--	388	--	7	--	--
RIGHT TURN	401+25	399+87	138	10.2	156	4	--	61	0.1	0.3	--	18	--	156	--	5	--	--
SOUTHBOUND TOTALS					25,507	48	22	1,943	10	52	1,158	1,313	121	25,507	772	214	193	43

FILE NAME =	USER NAME = laughlinr1	DESIGNED -	REVISED -	STATE OF ILLINOIS DEPARTMENT OF TRANSPORTATION	SCHEDULE OF QUANTITIES SECTION "C" (PEORIA RD.)			F.A.P. RTE. =	SECTION	COUNTY	TOTAL SHEETS	SHEET NO.
et:\pw_work\VPWIDOT\LAUGHLINRL\dms47710\	72C35-shr-schedule.dgn	DRAWN -	REVISED -		658	*	SANGAMON	206	35			
PLOT SCALE = 40.0000' / IN.	CHECKED -	REVISED -	SCALE:		SHEET NO. 2 OF 3 SHEETS	STA.	TO STA.	CONTRACT NO. T2C35				
PLOT DATE = Apr-30-2010 11:14:28AM	DATE -	REVISED -						ILLINOIS FED. AID PROJECT				

SECTION "C" PEORIA RD. RESURFACING SCHEDULE																			
DESCRIPTION	STATION TO STATION	LENGTH	AVG. PAVT WIDTH	PAVEMENT AREA	EOP SHLDR WIDTH	MED SHLDR WIDTH	SHLDR AREA	BIT MAT PRIMECOAT	AGG PRIMECOAT	1.5" HMA SURFACE	2.0" POLYMER HMA SURFACE	2.5" HMA SURF. REM	2.0" HMA SURF. REM	LEVELING BINDER	HMA SHLDR	Butt Joint	Temp Ramps		
		(FT)	(FT)	(SQYD)	(FT)	(FT)	(SQYD)	(TON)	(TON)	(TON)	(TON)	(SQ YD)	(SQ YD)	(TON)	(TON)	(SQYD)	(SQYD)		
COLORPLANT RD RESURFACING																			
SOUTHBOUND LANES																			
MAIN LINE	310+12	311+34	122	16	217	--	--	0.1	0.4	--	24	--	217	--	--	53	13		
NORTHBOUND LANES																			
MAIN LINE	310+12	311+44	132	18	264	--	--	0.1	0.5	--	30	--	264	--	--	60	13		
PEORIA RD. / COLORPLANT RD TURN LANES																			
RIGHT TURN	310+12	311+44	158	20	351	--	--	0.1	0.7	--	39	--	351	--	--	--	--		
MAINLINE TOTALS					50,317		112	51	4,336	20	101	2,322	2,540	13,978	41,057	1,548	466	502	112

SIDEROAD & ENTRANCE IMPROVEMENT													
DESCRIPTION	STATION	EOP WIDTH	ENTRANCE WIDTH	LENGTH EOP TO LIMITS	PAVEMENT AREA	PREP OF BASE	HMA REM. BUTT JOINT	BIT MATLS PRIMECOAT	AGG PRIMECOAT	INCIDENTAL BIT SURF	2.5" HMA SURF. REM	LEVELING BINDER	1.5" HMA SURFACE
		(FT)	(FT)	(FT)	(SQ YD)	(SQ YD)	(SQ YD)	(TON)	(TON)	(TON)	(TON)	(TON)	(TON)
TAFT ST.	54+53	60	26	35	167.2	167	57.8	0.1	0.3	23	--	--	--
SAUNDERS ST.	62+40	62	25	40	193	193	55.6	0.1	0.4	27	--	--	--
WARREN ST.	67+00	65	30	40	211	211	66.7	0.1	0.4	30	--	--	--
TAINTOR RD. (WEST)	14+13	160	29	125	1,313	--	64.4	0.5	3.3	--	1,312	74	184
TAINTOR RD. (EAST)	14+13	80	26	60	353	353	57.8	0.1	0.7	49	--	--	--
EVERGREEN PARK	407+40	70	20	40	200	200	44.4	0.1	0.4	28	--	--	--
WATERWORKS RD.	407+40	65	28	40	207	207	62.2	0.1	0.4	29	--	--	--
SIDEROAD TOTALS					2644	1332	409	1	6	186	1312	73	184

FILE NAME =	USER NAME = laughlinr1	DESIGNED -	REVISED -	STATE OF ILLINOIS DEPARTMENT OF TRANSPORTATION	SCHEDULE OF QUANTITIES SECTION "C" (PEORIA RD.)	F.A.P. RTE.	SECTION	COUNTY	TOTAL SHEETS	SHEET NO.
et:\pw\work\PIWDOT\LAUGHLINR1\dms47710\	572C35-shr-schedule.dgn	DRAWN -	REVISED -			658	*	SANGAMON	206	36
	PLOT SCALE = 48.0000' / IN.	CHECKED -	REVISED -			CONTRACT NO. 72C35				
	PLOT DATE = Apr-30-2010 11:14:32AM	DATE -	REVISED -			SCALE:	SHEET NO. 3 OF 3 SHEETS	STA.	TO STA.	ILLINOIS FED. AID PROJECT

SECTION "C" PEORIA RD. PAVEMENT MARKING SCHEDULE																	
DESCRIPTION	STATION TO STATION	LENGTH (FT)	URETHANE		THERMOPLASTIC		PREFORMED PLASTIC TYPE B - INLAID				SHORT TERM PAVEMENT MARKING				WORK ZONE PVT MKG REMOVAL		
			5" WHITE EDGE LINE FT	5" YELLOW EDGE LINE FT	5" YELLOW EDGE LINE FT	5" YELLOW SKIP DASH FT	24" WHITE STOP BARS FT	LETTERS & SYMBOLS SQ. FT.	2'x6'x6" SKIP DASH FT	5" WHITE SKIP DASH FT	RAISED REFL. PAVT MARKERS EA.	RAISED REFL. PAVT MARKER EA.	CENTERLINE FT	EDGE OF PAVEMENT FT	24" STOP BAR FT	EDGE OF PAVEMENT SQ. FT.	
NORTHBOUND LANES																	
MAIN LINE	52+40	52+50	10.00	--	--	10.00	--	--	--	--	3	4	4	1	9	--	2
MAIN LINE	52+50	52+55	5.00	--	--	5.00	--	--	--	--	1	4	4	1	8	--	1
MAIN LINE	52+55	78+45	2,590.12	--	--	2,590	--	--	--	--	648	65	65	259	215	--	79
STA. EQN 78+45.12BK = 1+56.70AH																	
MAIN LINE	1+57	14+50	1,293.30	--	--	1,293	--	--	--	--	323	32	32	129	111	--	40
MAIN LINE	14+50	15+17	67.25	--	--	67.25	--	--	--	--	17	2	2	7	13	--	3
STA EQN 15+17.25BK = 144+00.00AH																	
MAIN LINE	144+00	151+34	734.00	--	--	744	144	--	62.4	--	184	18	18	73	68	--	23
MAIN LINE	498+40	499+12	72.00	72	--	--	--	--	--	--	18	1	1	7	14	--	3
MAIN LINE	499+12	500+86	174.41	174	--	--	--	--	--	--	44	2	2	17	22	--	7
MAIN LINE	500+86	504+67	380.59	381	381	--	--	--	--	--	95	5	5	38	38	--	13
MAIN LINE	504+67	505+84	117.00	117	--	--	--	--	--	--	29	1	1	12	17	--	5
MAIN LINE	505+84	508+44	260.00	260	--	--	--	--	--	--	65	3	3	26	29	--	9
MAIN LINE	508+44	512+74	430.00	430	430	--	--	--	--	--	108	5	5	43	42	--	14
MAIN LINE	512+74	512+84	10.00	10	10	--	--	--	--	--	3	2	2	1	9	--	2
PEORIA RD. / IL 4/VETERANS AVE. TURN LANES																	
LEFT/THROUGH TURN	151+34	152+72	138	138	138	--	--	--	--	35	--	2	2	--	19	--	3
LEFT/THROUGH TURN	152+72	156+03	331	331	341	--	--	12	78	--	--	4	4	--	34	72	18
RIGHT TURN	151+34	156+06	472	472	--	--	--	12	47	--	36	6	6	47	46	72	20
RIGHT TURN	151+34	156+06	472	532	--	--	--	12	47	20	--	6	6	47	51	72	20
PEORIA RD. / WATERWORKS RD. TURN LANES																	
LEFT TURN	504+10	505+84	174	--	174	--	--	--	--	44	--	--	--	--	--	--	--
LEFT TURN	505+84	507+93	209	--	209	--	--	--	47	--	--	--	--	--	--	--	--
NORTHBOUND TOTALS			2,917	1,683	4,710	144	36	281	99	1,572	162	162	709	746	216	262	

FILE NAME =	USER NAME = laughlrr1	DESIGNED -	REVISED -	STATE OF ILLINOIS DEPARTMENT OF TRANSPORTATION	SCHEDULE OF QUANTITIES PAVEMENT MARKING - SECTION "C" (PEORIA RD.)				F.A.P. RTE.	SECTION	COUNTY	TOTAL SHEETS	SHEET NO.
es:\pwwork\VPWIDOT\LAUGHLIN\ldms47710\	72C35-sht-schedule.dgn	DRAWN -	REVISED -		SCALE:	SHEET NO. 1 OF 2 SHEETS	STA.	TO STA.	658	*	SANGAMON	206	37
	PLOT SCALE = 40,0000' / IN.	CHECKED -	REVISED -						CONTRACT NO. 72C35				
	PLOT DATE = Apr-30-2010 11:14:38AM	DATE -	REVISED -						ILLINOIS FED. AID PROJECT				

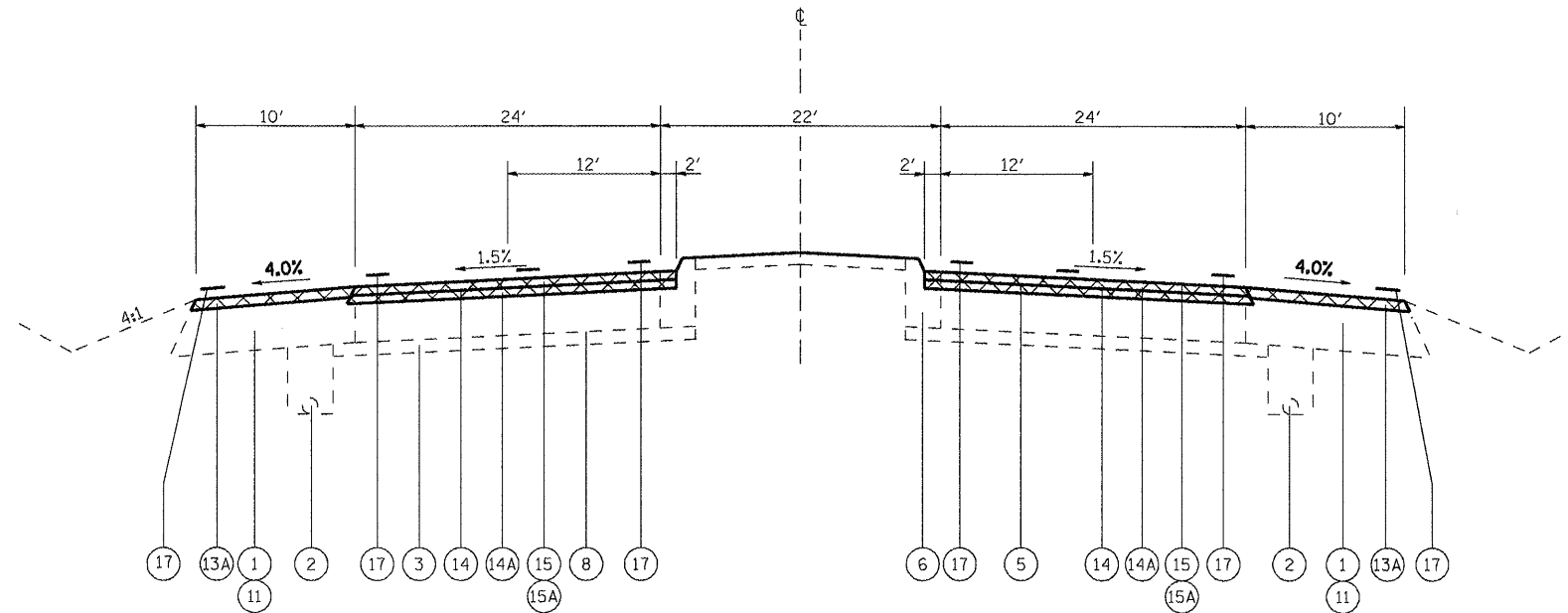
SECTION "C" PEORIA RD. PAVEMENT MARKING SCHEDULE

DESCRIPTION	STATION TO STATION	LENGTH (FT)	5" WHITE EDGE LINE	5" YELLOW EDGE LINE	5" YELLOW EDGE LINE	5" YELLOW SKIP DASH	24" WHITE STOP BARS	LETTERS & SYMBOLS	2'x6'x6" SKIP DASH	5" WHITE SKIP DASH	RAISED REFL PAVT MARKERS	RAISED REFL PAVT MARKER	CENTERLINE	EDGE OF PAVEMENT	24" STOP BAR	EDGE OF PAVEMENT	
SOUTHBOUND LANES																	
MAIN LINE	412+17	412+27	10	10	--	--	--	--	--	3	1	1	1	9	--	2	
MAIN LINE	406+90	412+17	527	527	--	--	--	--	--	132	7	7	53	50	--	17	
MAIN LINE	404+19	406+90	271	271	271	--	--	--	--	68	3	3	27	30	--	9	
MAIN LINE	400+40	404+19	379	249	--	--	--	--	--	95	5	5	38	28	--	11	
MAIN LINE	398+95	400+40	145	89	--	--	--	--	--	36	2	2	15	--	--	2	
MAIN LINE	398+20	398+95	75	--	--	--	--	24	--	19	1	1	8	--	144	25	
MAIN LINE	154+90	156+03	113	113	88	--	--	--	--	28	1	1	11	--	--	2	
MAIN LINE	151+34	154+90	356	356	366	--	--	--	--	89	4	4	36	--	--	6	
MAIN LINE	144+00	151+34	734	--	--	744	144	--	--	184	18	18	73	--	--	12	
STA. EQN 15+17.25BK = 144+00.00AH																	
MAIN LINE	14+50	15+17	67	--	--	67	--	--	--	17	2	2	7	--	--	1	
MAIN LINE	1+57	14+50	1293	--	--	1293	--	--	--	323	32	32	129	--	--	22	
STA. EQN 78+45.12BK = 1+56.70AH																	
MAIN LINE	52+55	78+45	2590	--	--	2590	--	--	--	648	65	65	259	--	--	43	
MAIN LINE	52+50	52+55	5	--	--	5	--	--	--	1	4	4	1	--	--	1	
MAIN LINE	52+40	52+50	10	--	--	10	--	--	--	3	4	4	1	--	--	1	
PEORIA RD. / WATERWORKS RD. TURN LANES																	
LEFT TURN	409+45	411+70	225	--	300	--	--	--	68	--	--	--	--	--	--	--	
LEFT TURN	407+86	409+45	159	--	159	--	--	31	--	--	--	--	--	--	--	--	
LEFT TURN	407+34	407+86	52	--	--	--	--	--	--	--	--	--	--	--	--	--	
PEORIA RD. / IL 4/VETERANS AVE. TURN LANES																	
RIGHT TURN	497+76	498+07	52	82	--	--	--	18	16	--	1	1	--	--	108	18	
RIGHT TURN	399+87	401+75	185	185	--	--	--	--	46	--	2	2	--	--	--	--	
RIGHT TURN	398+37	399+87	150	166	--	--	--	20	31	--	--	--	--	--	120	20	
LEFT TURN	401+19	404+15	296	--	--	--	--	--	78	--	4	4	--	--	--	--	
LEFT TURN	401+19	404+15	296	--	296	--	--	--	--	--	4	4	--	--	--	--	
LEFT TURN	398+38	401+19	281	281	--	--	--	16.3	62	--	4	4	--	--	98	16	
LEFT TURN	398+38	401+19	281	281	281	--	--	12	62	27	4	4	--	--	72	12	
SOUTHBOUND TOTALS				2610	1761	4710	144	90	203	219	1644	168	168	658	117	542	220
SIDEROADS																	
TAINTOR RD. (WEST)	13+10	14+79	20	--	--	--	--	31	--	--	--	--	--	--	185	--	
WATERWORKS RD.	407+00	407+90	16	--	--	--	--	37	--	--	--	--	--	--	222	--	
COLORPLANT RD.																	
SOUTHBOUND LANES																	
MAIN LINE	310+12	311+44	132	--	92	--	--	12	26	--	--	--	--	--	72	--	
NORTHBOUND LANES																	
MAIN LINE	310+12	311+44	132	--	92	--	--	--	--	--	--	--	--	--	--	--	
PEORIA RD. / COLORPLANT RD TURN LANES																	
RIGHT TURN	310+12	311+44	132	51	--	--	--	18	--	--	--	--	--	--	108	--	
TOTALS				5578	3628	9419	287	224	510	317	3216	330	330	1366	862	1345	482

ISLAND PAVEMENT MARKINGS	URETHANE			
	STATION TO STATION		8" WHITE	12" WHITE
PEORIA RD/TAINTOR RD (w)	9+25	9+85	130	29
PEORIA RD/VETERANS VETERANS AVE. (sw)	155+30	155+96	225	162
PEORIA RD/VETERANS VETERANS AVE. (se)	155+51	156+17	165	52
PEORIA RD/VETERANS COLORPLANT RD (nw)	310+08	310+64	187	86
PEORIA RD/VETERANS COLORPLANT RD (ne)	310+14	310+85	224	152
TOTALS			931	480

MEDIAN/GORE AREA PVT MKG	URETHANE					
	STATION TO STATION		5" YELLOW	8" WHITE	12" WHITE	12" YELLOW
PEORIA RD	155+70	155+85	41	--	--	14
PEORIA RD	498+40	500+86	214	--	--	67
PEORIA RD	398+36	400+41	210	--	--	74
PEORIA RD	400+41	401+15	--	154	17	--
PEORIA RD	505+84	507+80	--	395	45	--
PEORIA RD	407+57	409+19	--	333	27	--
TOTALS			465	882	89	155

FILE NAME =	USER NAME = laughlinr1	DESIGNED -	REVISED -	STATE OF ILLINOIS DEPARTMENT OF TRANSPORTATION	SCHEDULE OF QUANTITIES PAVEMENT MARKING - SECTION "C" (PEORIA RD.)				F.A.P. RTE. 658	SECTION •	COUNTY SANGAMON	TOTAL SHEETS 206	SHEET NO. 38
or:\pwork\PWIDDOT\LAUGHLINR1\dms47718\	72C35-aht-schedule.dgn	DRAWN -	REVISED -		SCALE:	SHEET NO. 2 OF 2	SHEETS	STA.	TO STA.	ILLINOIS FED. AID PROJECT CONTRACT NO. 72C35			
	PLOT SCALE = 48.0000' / IN.	CHECKED -	REVISED -										
	PLOT DATE = Apr-30-2010 11:14:43AM	DATE -	REVISED -										



STA 531+66.60 TO STA 536+85.00
 STA 539+50.00 TO STA 549+69.08
 STA 559+35.71 TO STA 583+50.00

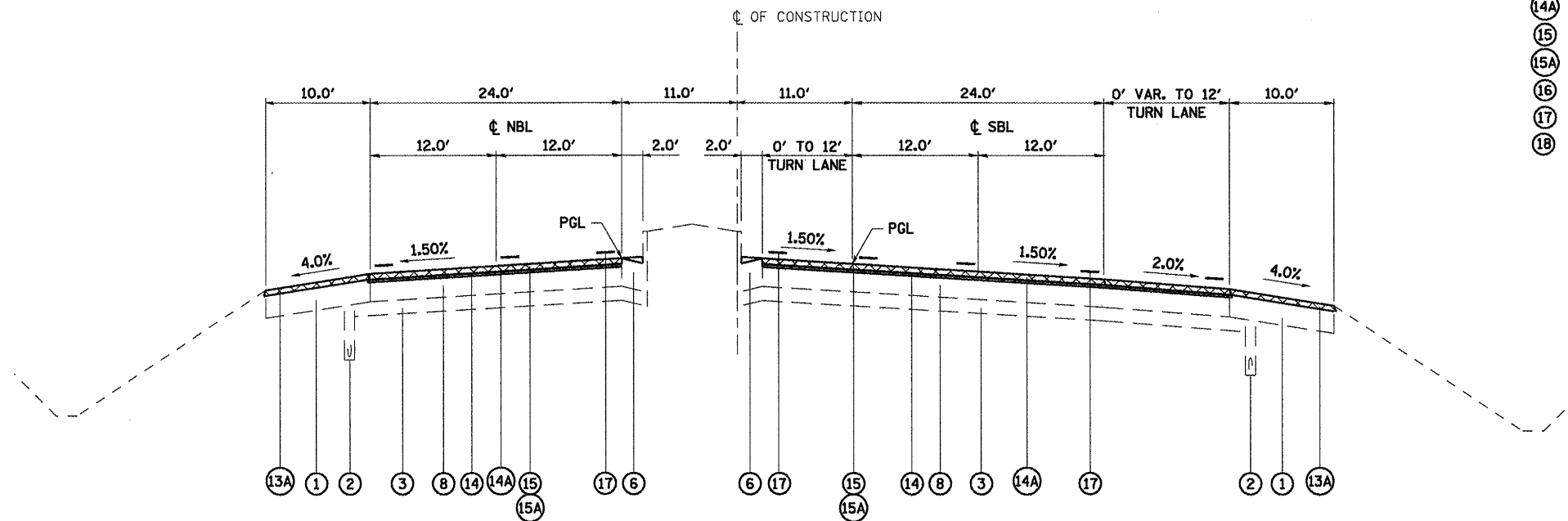
15A USED ONLY FROM STA 559+35.71 TO STA 560+00.00

STATION EQUATION:
 STA. 535+21.46 (BK) = STA. 535+20.39 (AH)

STRUCTURE NO. 084-0168 OMISSION
 STA 572+57.50 TO STA 573+62.50
 STRUCTURE NO. 084-0169 OMISSION
 STA 579+65.11 TO STA 581+80.60

LEGEND

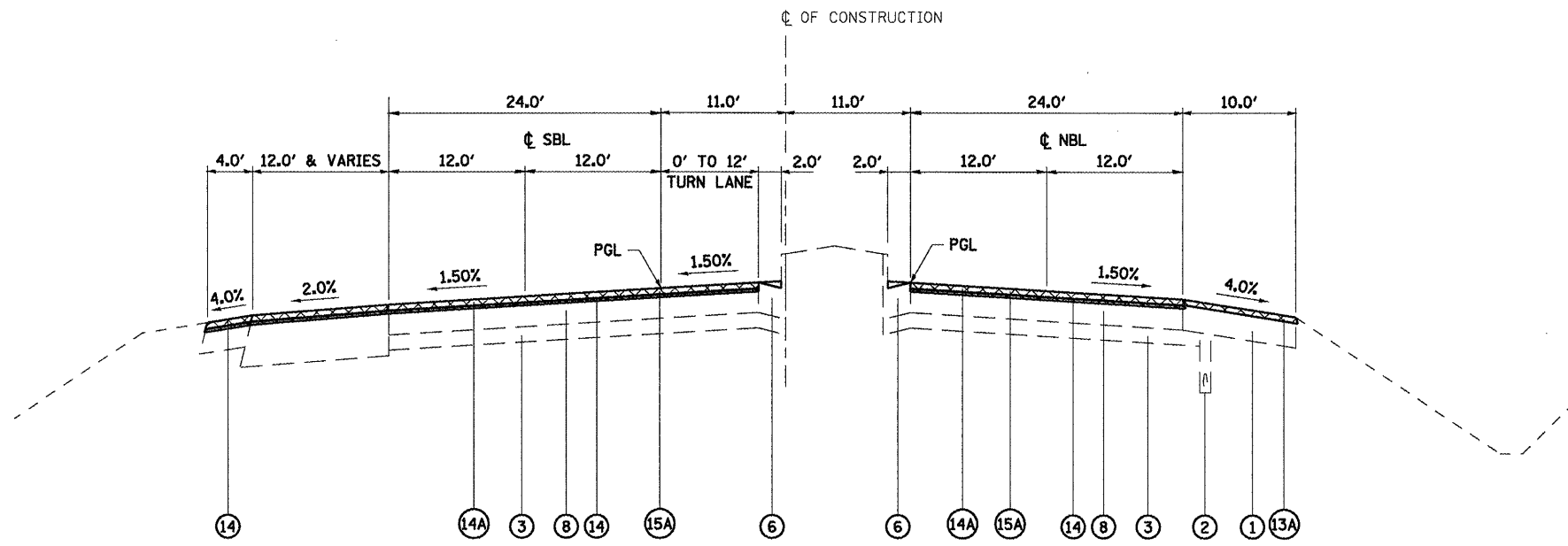
- 1 EX HOT-MIX ASPHALT SHOULDERS, 10 1/2"
- 2 EX PIPE UNDERDRAIN
- 3 EX STABILIZED SUBBASE 4"
- 4 EX PCC PAVEMENT 9"-6"-9"
- 5 EX HOT-MIX ASPHALT SURFACE, 2 1/2"
- 6 EX CONCRETE CURB & GUTTER B 9.24
- 7 EX CONCRETE CURB & GUTTER B 6.24
- 7A EX CONCRETE CURB & GUTTER M6.06
- 8 EX PCC PAVEMENT 8"
- 9 EX PCC BASE COURSE 9"
- 10 EX COMBINATION CURB & GUTTER TYPE B 6.18
- 11 EX SUBBASE GRANULAR MATERIAL, TYPE B 12" & VAR.
- 12 EX HOT-MIX ASPHALT CONCRETE BASE COURSE 10"
- 13 EX HOT-MIX ASPHALT CONCRETE SURFACE COURSE, MIX E, CLASS 1, TYPE 2
- 13A PR PAVED SHOULDER REMOVAL, 1 1/2"
- 14 PR HOT-MIX ASPHALT SURFACE REMOVAL 2 1/2"
- 14A PR LEVELING BINDER 1"
- 15 PR HOT-MIX ASPHALT SURFACE COURSE, MIX "D", N70 - 1 1/2"
- 15A PR HOT-MIX ASPHALT SURFACE COURSE, POLYMER MIX "D", N70 - 1 1/2"
- 16 PR HOT-MIX ASPHALT SHOULDERS, 8"
- 17 PR PAVEMENT MARKING, LINE 5"
- 18 PCC SIDEWALK



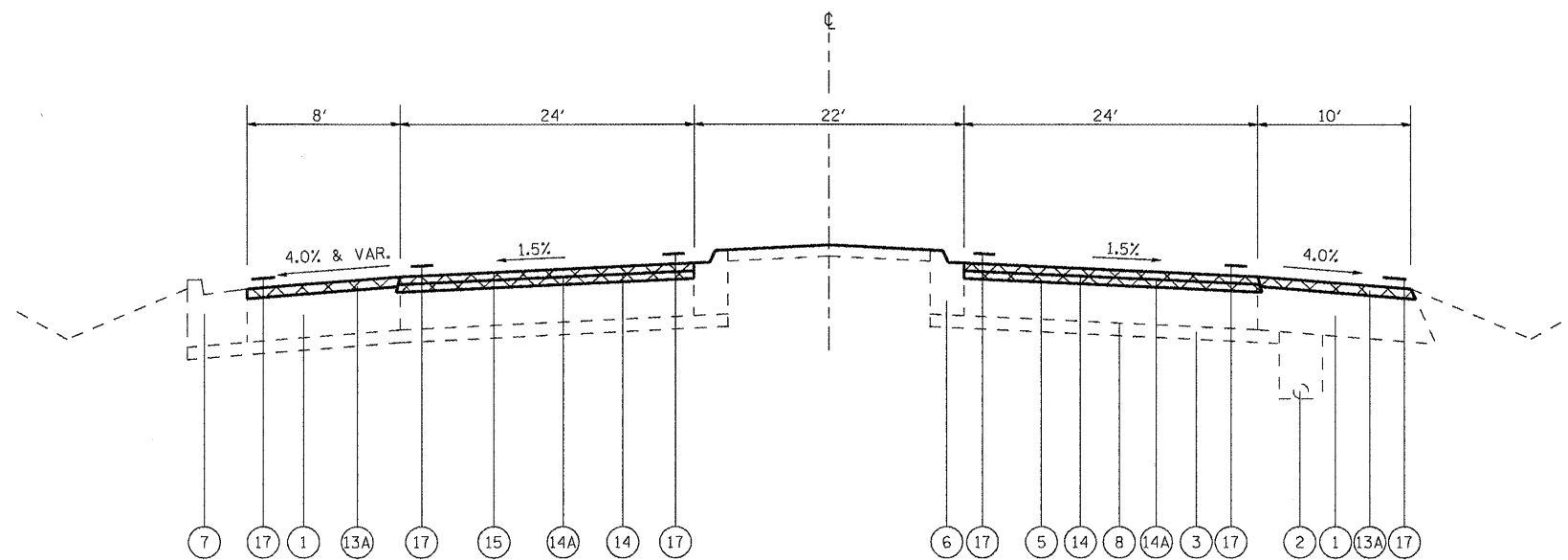
15A USED ONLY FROM STA 549+00.00 TO STA 560+00.00

STA 536+85.00 TO STA 539+50.00
 STA 549+69.08 TO STA 555+00.00

FILE NAME =	USER NAME = laughlinr1	DESIGNED -	REVISED -	STATE OF ILLINOIS DEPARTMENT OF TRANSPORTATION	TYPICAL SECTIONS - SECTION "A" IL 29 (OLD IL 29 - J. DAVID JONES PKWY/WALNUT ST)	F.A.P. RTE. 658	SECTION	COUNTY SANGAMON	TOTAL SHEETS 206	SHEET NO. 39
ct:\pvc\work\pwwid\LAUGHLINRL\dms47718\572C35-shr-typical-1129.dgn	DRAWN -	REVISED -	ILLINOIS FED. AID PROJECT			CONTRACT NO. 72C35				
PLOT SCALE = 1/8" = 1' IN.	CHECKED -	REVISED -	SCALE:			SHEET NO. 1 OF 9 SHEETS	STA. TO STA.			
PLOT DATE = Apr-30-2010 11:14:52AM	DATE -	REVISED -								



STA 555+00.00 TO STA 559+35.71



STA 583+50.00 TO STA 600+50.00

LEGEND

- ① EX HOT-MIX ASPHALT SHOULDERS, 10 1/2"
- ② EX PIPE UNDERDRAIN
- ③ EX STABILIZED SUBBASE 4"
- ④ EX PCC PAVEMENT 9"-6"-9"
- ⑤ EX HOT-MIX ASPHALT SURFACE, 2 1/2"
- ⑥ EX CONCRETE CURB & GUTTER B 9.24
- ⑦ EX CONCRETE CURB & GUTTER B 6.24
- ⑦A EX CONCRETE CURB & GUTTER M6.06
- ⑧ EX PCC PAVEMENT 8"
- ⑨ EX PCC BASE COURSE 9"
- ⑩ EX COMBINATION CURB & GUTTER TYPE B 6.18
- ⑪ EX SUBBASE GRANULAR MATERIAL, TYPE B 12" & VAR.
- ⑫ EX HOT-MIX ASPHALT CONCRETE BASE COURSE 10"
- ⑬ EX HOT-MIX ASPHALT CONCRETE SURFACE COURSE, MIX E, CLASS 1, TYPE 2
- ⑬A PR PAVED SHOULDER REMOVAL, 1 1/2"
- ⑭ PR HOT-MIX ASPHALT SURFACE REMOVAL 2 1/2"
- ⑭A PR LEVELING BINDER 1"
- ⑮ PR HOT-MIX ASPHALT SURFACE COURSE, MIX "D", N70 - 1 1/2"
- ⑮A PR HOT-MIX ASPHALT SURFACE COURSE, POLYMER MIX "D", N70 - 1 1/2"
- ⑯ PR HOT-MIX ASPHALT SHOULDERS, 8"
- ⑰ PR PAVEMENT MARKING, LINE 5"
- ⑱ PCC SIDEWALK

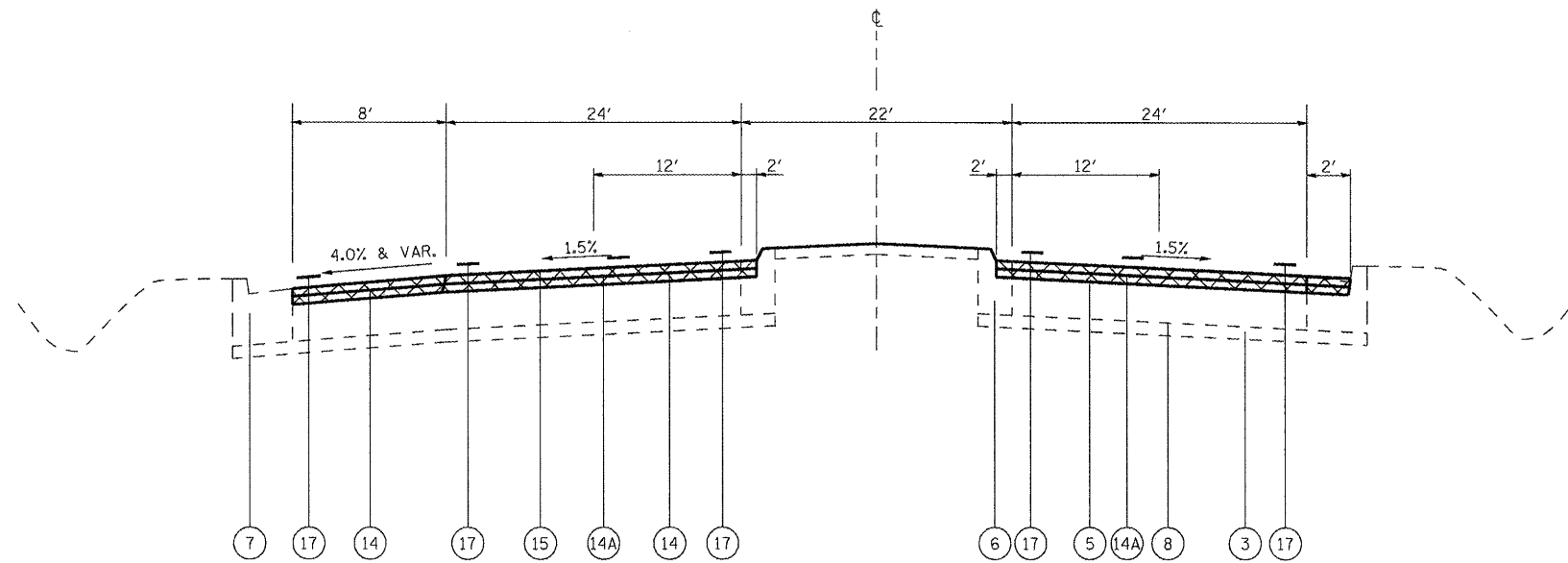
FILE NAME =	USER NAME = laughlinr1	DESIGNED -	REVISED -
er\pwork\PIWIDOT\LAUGHLINRL\dms47710\672C35-sh-typical-129.dgn		DRAWN -	REVISED -
PLOT SCALE = 15.8000' / IN.		CHECKED -	REVISED -
PLOT DATE = Apr-30-2010 11:14:54AM		DATE -	REVISED -

STATE OF ILLINOIS
DEPARTMENT OF TRANSPORTATION

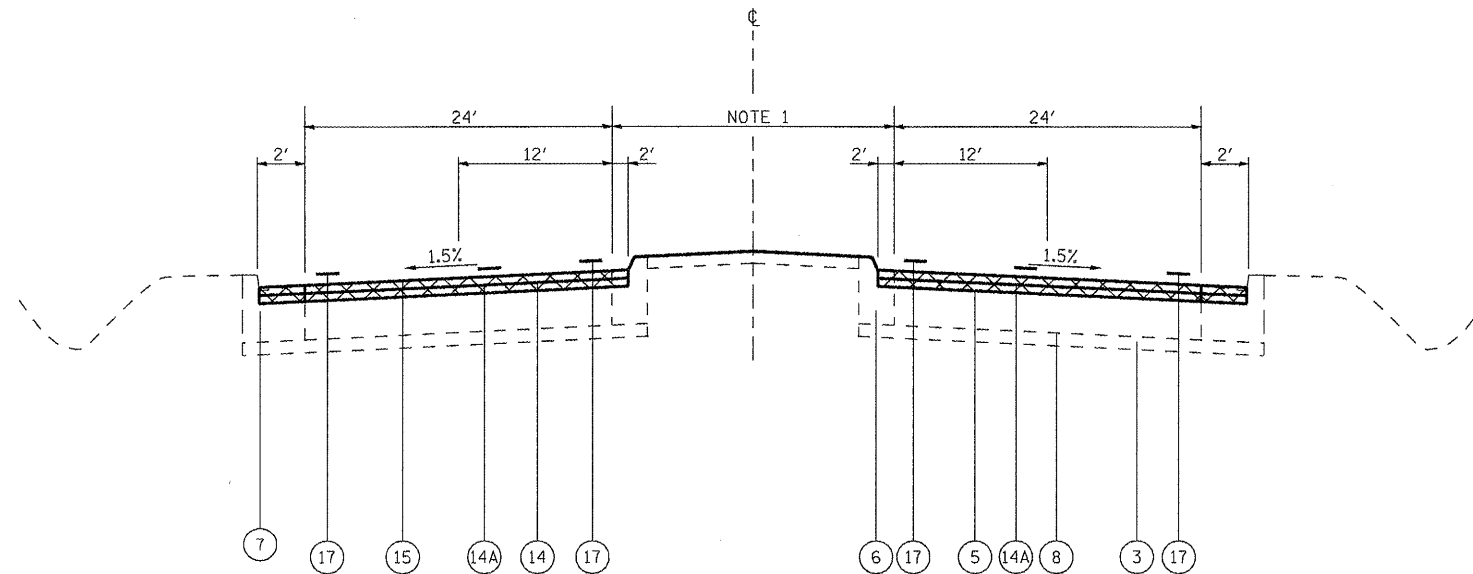
TYPICAL SECTIONS - SECTION "A" IL 29
(OLD IL 29 - J. DAVID JONES PKWY/WALNUT ST)

SCALE: SHEET NO. 2 OF 9 SHEETS STA. TO STA.

F.A.P. RTE.	SECTION	COUNTY	TOTAL SHEETS	SHEET NO.
658	*	SANGAMON	206	40
CONTRACT NO. 72C35			ILLINOIS FED. AID PROJECT	



STA 600+50.00 TO STA 605+72.00



STA 605+72.00 TO STA 616+00.00
 STA 616+00.00 TO STA 619+02.70 - SB, LT TURN LANE

STATION EQUATION
 STA 612+16.70 BK = STA 612+15.95 AH

NOTE 1:
 STA 605+72 TO STA 606+00 - VAR. 22' - 18'
 STA 606+00 TO STA 612+16.7 - VAR. 22' - 18'
 STA 612+15.95 TO STA 619+02.70 - VAR. 2' - 18'

LEGEND

- ① EX HOT-MIX ASPHALT SHOULDERS, 10 1/2"
- ② EX PIPE UNDERDRAIN
- ③ EX STABILIZED SUBBASE 4"
- ④ EX PCC PAVEMENT 9"-6"-9"
- ⑤ EX HOT-MIX ASPHALT SURFACE, 2 1/2"
- ⑥ EX CONCRETE CURB & GUTTER B 9.24
- ⑦ EX CONCRETE CURB & GUTTER B 6.24
- ⑦A EX CONCRETE CURB & GUTTER M6.06
- ⑧ EX PCC PAVEMENT 8"
- ⑨ EX PCC BASE COURSE 9"
- ⑩ EX COMBINATION CURB & GUTTER TYPE B 6.18
- ⑪ EX SUBBASE GRANULAR MATERIAL, TYPE B 12" & VAR.
- ⑫ EX HOT-MIX ASPHALT CONCRETE BASE COURSE 10"
- ⑬ EX HOT-MIX ASPHALT CONCRETE SURFACE COURSE, MIX E, CLASS 1, TYPE 2
- ⑬A PR PAVED SHOULDER REMOVAL, 1 1/2"
- ⑭ PR HOT-MIX ASPHALT SURFACE REMOVAL 2 1/2"
- ⑭A PR LEVELING BINDER 1"
- ⑮ PR HOT-MIX ASPHALT SURFACE COURSE, MIX "D", N70 - 1 1/2"
- ⑮A PR HOT-MIX ASPHALT SURFACE COURSE, POLYMER MIX "D", N70 - 1 1/2"
- ⑯ PR HOT-MIX ASPHALT SHOULDERS, 8"
- ⑰ PR PAVEMENT MARKING, LINE 5"
- ⑱ PCC SIDEWALK

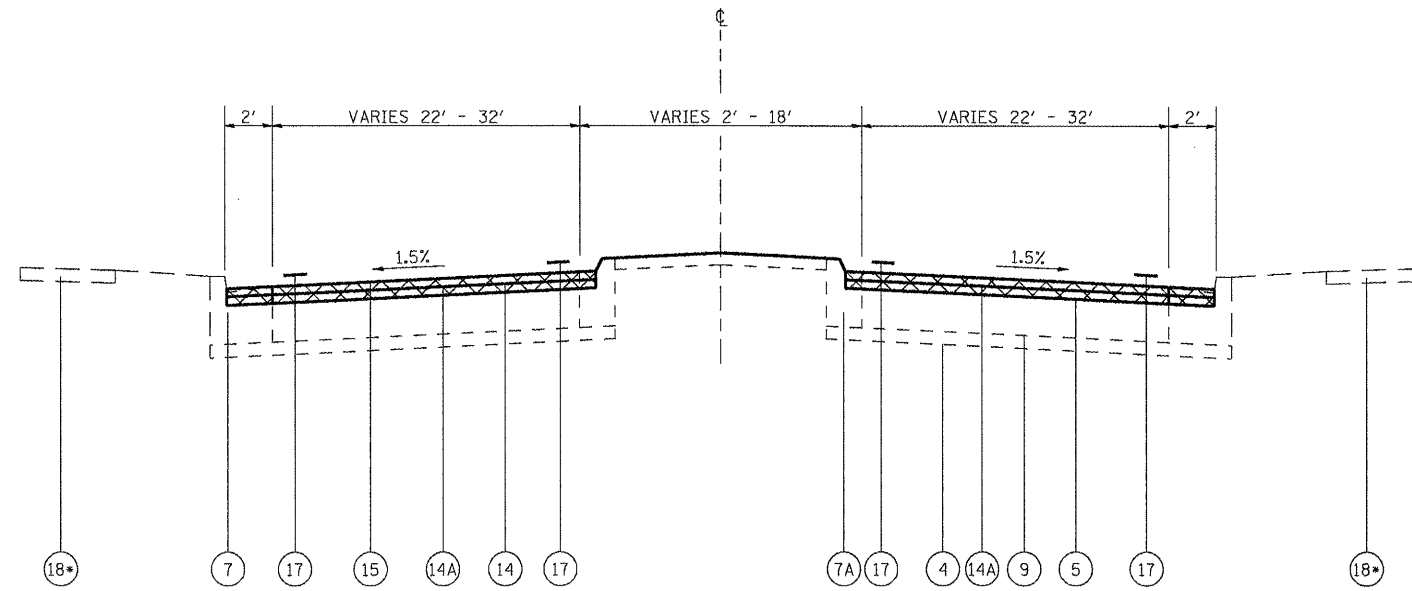
FILE NAME =	USER NAME = laughlirr1	DESIGNED -	REVISED -
er\pw\work\VP\WIDOT\LAUGHL\INRL\dms47710\	572C35-shr-t-j-pical-129.dgn	DRAWN -	REVISED -
	PLLOT SCALE = 15.80000 ' / IN.	CHECKED -	REVISED -
	PLLOT DATE = Apr-30-2010 11:14:57AM	DATE -	REVISED -

STATE OF ILLINOIS
 DEPARTMENT OF TRANSPORTATION

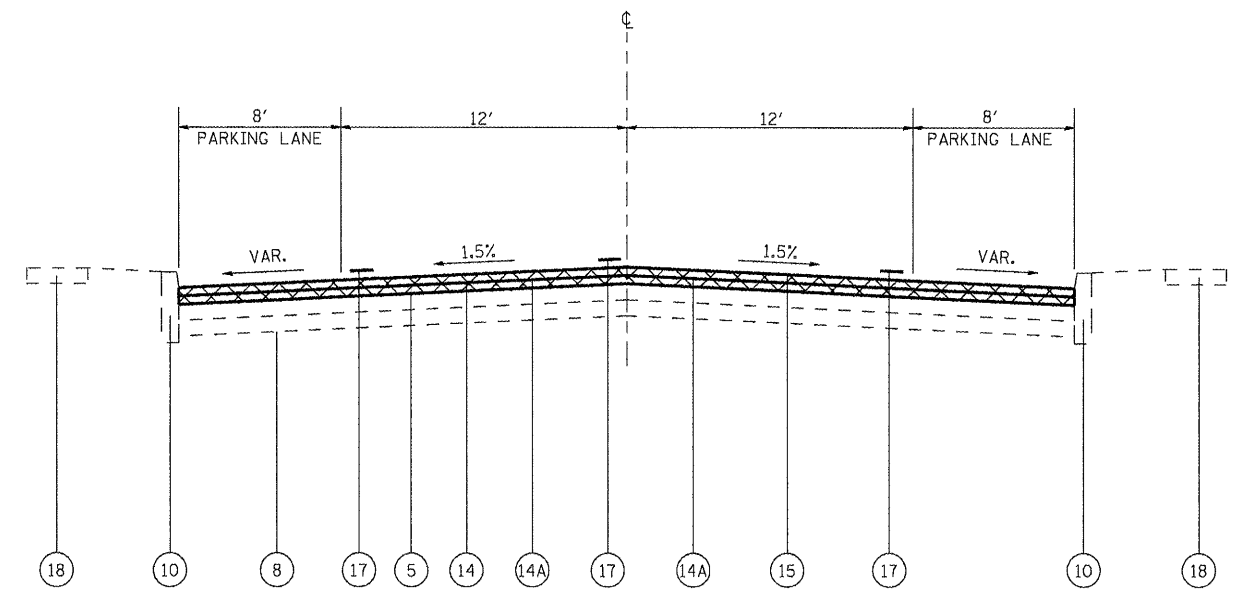
TYPICAL SECTIONS - SECTION "A" IL 29
 (OLD IL 29 - J. DAVID JONES PKWY/WALNUT ST)

SCALE: SHEET NO. 3 OF 9 SHEETS STA. TO STA.

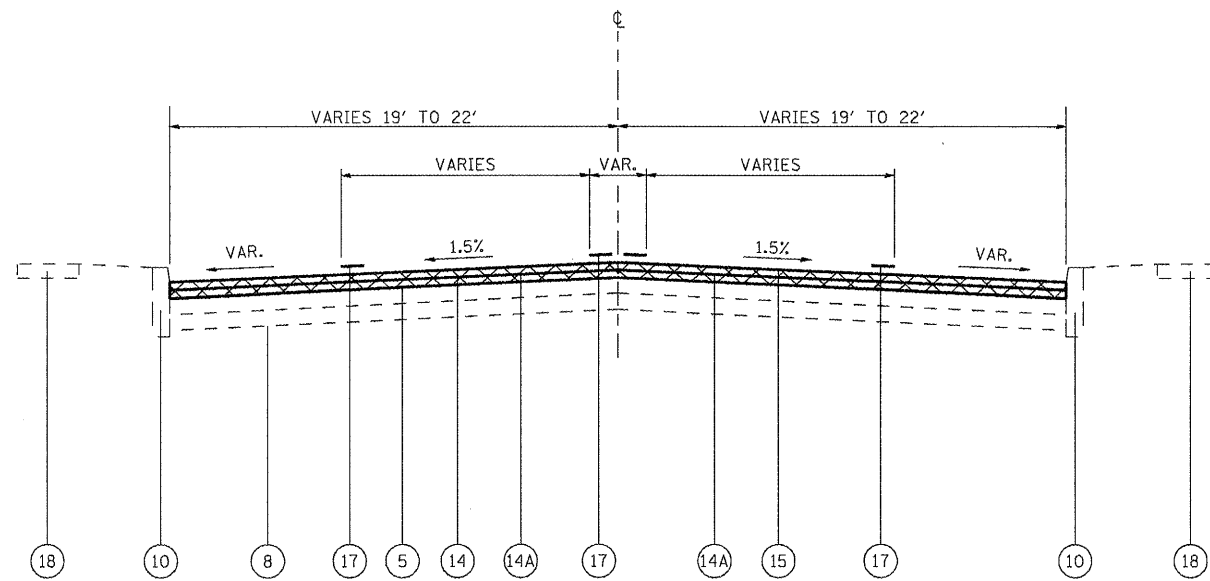
F.A.P. RTE.	SECTION	COUNTY	TOTAL SHEETS	SHEET NO.
658	*	SANGAMON	206	41
CONTRACT NO. 72C35			ILLINOIS FED. AID PROJECT	



STA 619+02.70 TO STA 625+12.00
 STA 619+98.32 TO STA 621+15.00 - NORTHBOUND LEFT TURN LANE
 * STA 619+98.32 TO STA 625+12.00



STA 625+12.00 TO STA 644+98.59
 STATION EQUATION:
 STA. 644+98.59 (BK) = STA. 6+00.00 (AH)
 STA 6+00.00 TO STA 7+05.00



STA 623+84.20 TO 625+12.00

LEGEND

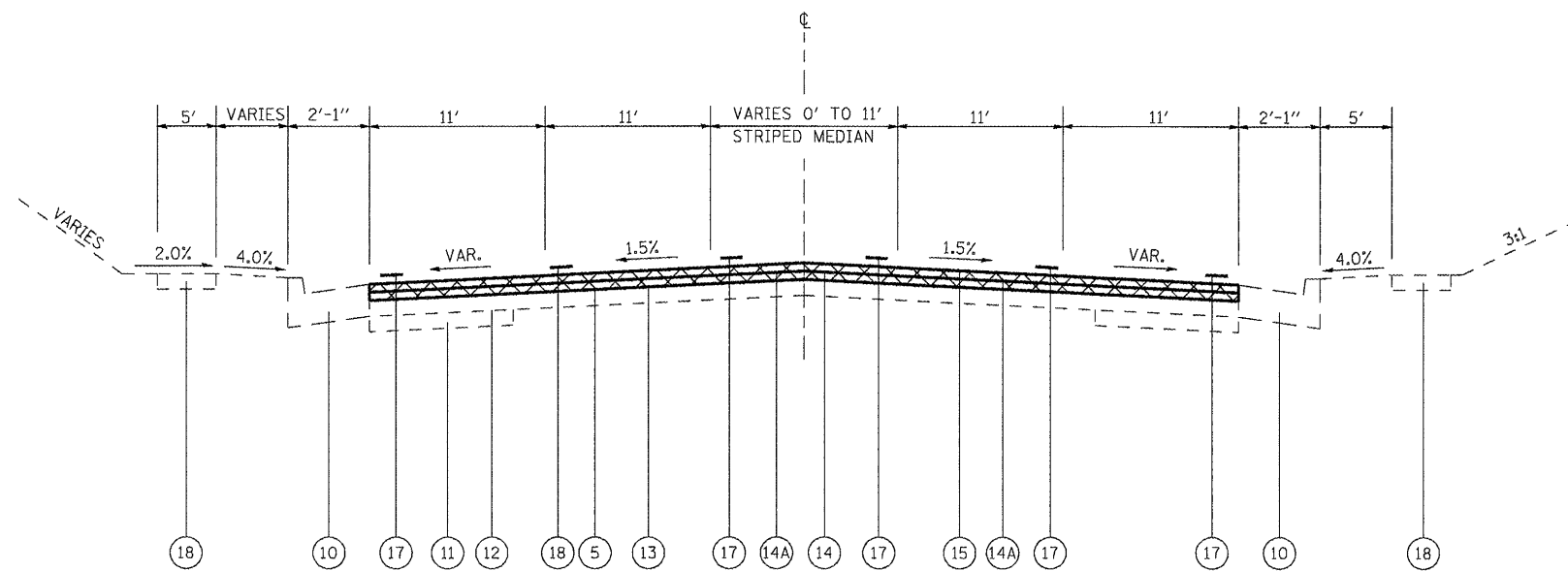
- ① EX HOT-MIX ASPHALT SHOULDERS, 10 1/2"
- ② EX PIPE UNDERDRAIN
- ③ EX STABILIZED SUBBASE 4"
- ④ EX PCC PAVEMENT 9"-6"-9"
- ⑤ EX HOT-MIX ASPHALT SURFACE, 2 1/2"
- ⑥ EX CONCRETE CURB & GUTTER B 9.24
- ⑦ EX CONCRETE CURB & GUTTER B 6.24
- ⑦A EX CONCRETE CURB & GUTTER M6.06
- ⑧ EX PCC PAVEMENT 8"
- ⑨ EX PCC BASE COURSE 9"
- ⑩ EX COMBINATION CURB & GUTTER TYPE B 6.18
- ⑪ EX SUBBASE GRANULAR MATERIAL, TYPE B 12" & VAR.
- ⑫ EX HOT-MIX ASPHALT CONCRETE BASE COURSE 10"
- ⑬ EX HOT-MIX ASPHALT CONCRETE SURFACE COURSE, MIX E, CLASS 1, TYPE 2
- ⑬A PR PAVED SHOULDER REMOVAL, 1 1/2"
- ⑭ PR HOT-MIX ASPHALT SURFACE REMOVAL 2 1/2"
- ⑭A PR LEVELING BINDER 1"
- ⑮ PR HOT-MIX ASPHALT SURFACE COURSE, MIX "D", N70 - 1 1/2"
- ⑮A PR HOT-MIX ASPHALT SURFACE COURSE, POLYMER MIX "D", N70 - 1 1/2"
- ⑯ PR HOT-MIX ASPHALT SHOULDERS, 8"
- ⑰ PR PAVEMENT MARKING, LINE 5"
- ⑱ PCC SIDEWALK

FILE NAME =	USER NAME = laughl1nr1	DESIGNED -	REVISED -
c:\pwwork\pwidot\LAUGHLINRL\dms47710\672c35-sh-typical-129.dgn		DRAWN -	REVISED -
PLOT SCALE = 15.0000' / IN.		CHECKED -	REVISED -
PLOT DATE = Apr-30-2010 11:14:59AM		DATE -	REVISED -

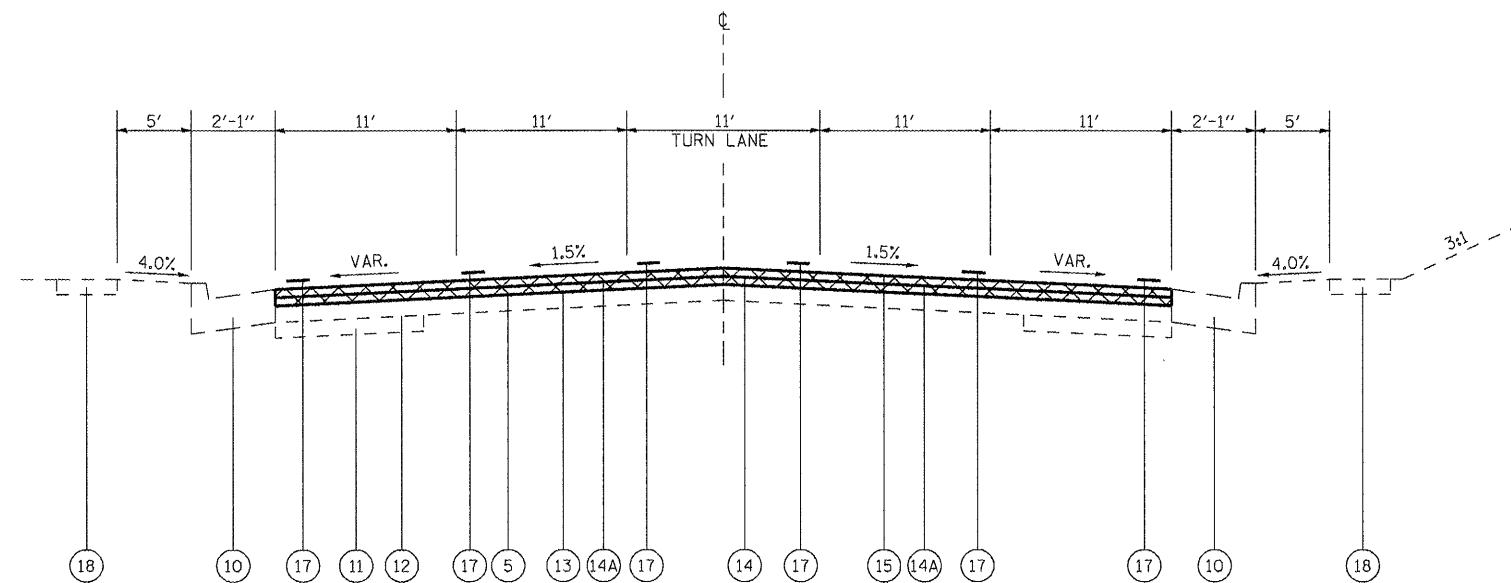
STATE OF ILLINOIS
 DEPARTMENT OF TRANSPORTATION

TYPICAL SECTIONS - SECTION "A" IL 29
 (OLD IL 29 - J. DAVID JONES PKWY/WALNUT ST)

F.A.P. RTE.	SECTION	COUNTY	TOTAL SHEETS	SHEET NO.
658	*	SANGAMON	206	42
CONTRACT NO. T2C35			ILLINOIS FED. AID PROJECT	
SCALE:	SHEET NO. 4 OF 9 SHEETS	STA.	TO STA.	



STA 7+05.00 TO STA 9+06.00

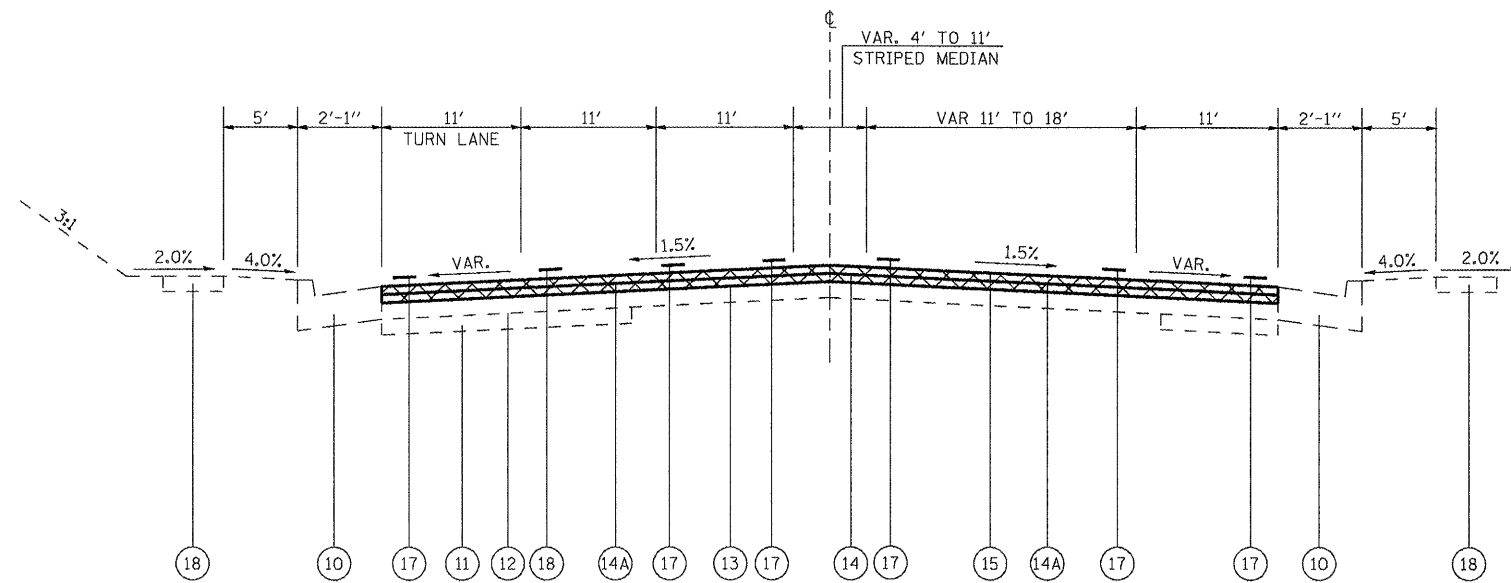


STA 9+06.00 TO STA 11+47.82

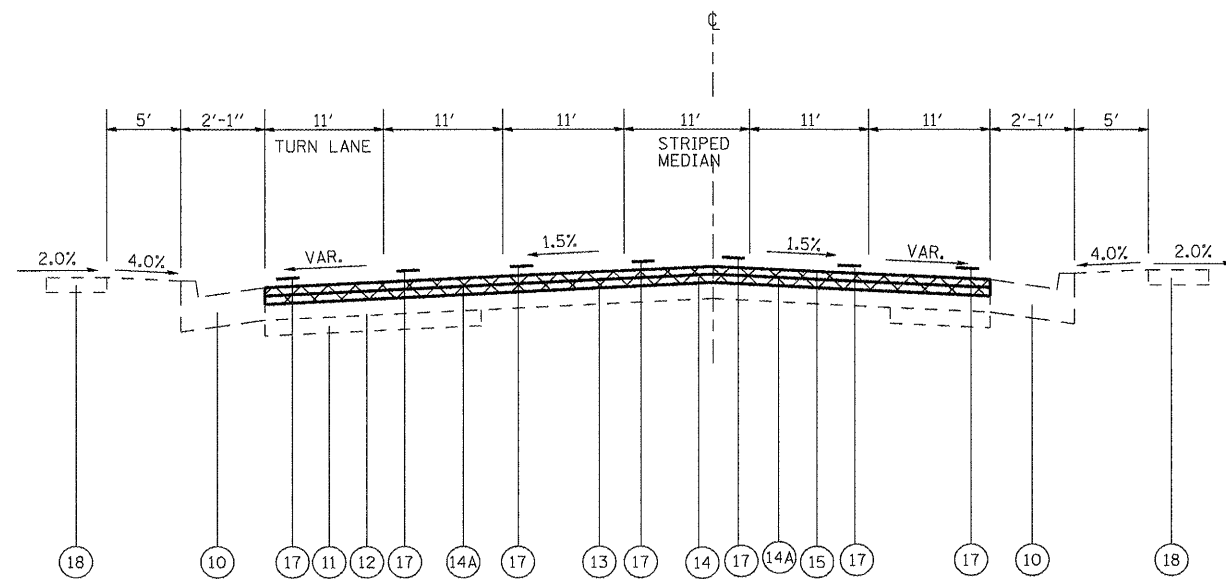
LEGEND

- ① EX HOT-MIX ASPHALT SHOULDERS, 10 1/2"
- ② EX PIPE UNDERDRAIN
- ③ EX STABILIZED SUBBASE 4"
- ④ EX PCC PAVEMENT 9"-6"-9"
- ⑤ EX HOT-MIX ASPHALT SURFACE, 2 1/2"
- ⑥ EX CONCRETE CURB & GUTTER B 9.24
- ⑦ EX CONCRETE CURB & GUTTER B 6.24
- ⑦A EX CONCRETE CURB & GUTTER M6.06
- ⑧ EX PCC PAVEMENT 8"
- ⑨ EX PCC BASE COURSE 9"
- ⑩ EX COMBINATION CURB & GUTTER TYPE B 6.18
- ⑪ EX SUBBASE GRANULAR MATERIAL, TYPE B 12" & VAR.
- ⑫ EX HOT-MIX ASPHALT CONCRETE BASE COURSE 10"
- ⑬ EX HOT-MIX ASPHALT CONCRETE SURFACE COURSE, MIX E, CLASS 1, TYPE 2
- ⑬A PR PAVED SHOULDER REMOVAL, 1 1/2"
- ⑭ PR HOT-MIX ASPHALT SURFACE REMOVAL 2 1/2"
- ⑭A PR LEVELING BINDER 1"
- ⑮ PR HOT-MIX ASPHALT SURFACE COURSE, MIX "D", N70 - 1 1/2"
- ⑮A PR HOT-MIX ASPHALT SURFACE COURSE, POLYMER MIX "D", N70 - 1 1/2"
- ⑯ PR HOT-MIX ASPHALT SHOULDERS, 8"
- ⑰ PR PAVEMENT MARKING, LINE 5"
- ⑱ PCC SIDEWALK

FILE NAME =	USER NAME = laughlinc1	DESIGNED -	REVISED -	STATE OF ILLINOIS DEPARTMENT OF TRANSPORTATION	TYPICAL SECTIONS - SECTION "A" IL 29 (OLD IL 29 - J. DAVID JONES PKWY/WALNUT ST)	F.A.P. RTE. =	SECTION	COUNTY	TOTAL SHEETS	SHEET NO.
ei\pw_work\NPWIDOT\LAUGHLINRL\dms47710\072035-shr-typical-129.dgn	PLOT SCALE = 15.0000' / IN.	DRAWN -	REVISED -			658	*	SANGAMON	206	43
PLOT DATE = Apr-30-2018 11:15:01AM	DATE -	CHECKED -	REVISED -			SCALE: SHEET NO. 5 OF 9 SHEETS STA. TO STA.		CONTRACT NO. T2C35		
		DATE -	REVISED -			ILLINOIS FED. AID PROJECT				



STA 11+47.82 TO STA 13+06.00



STA 13+06.00 TO STA 13+13.00

LEGEND

- ① EX HOT-MIX ASPHALT SHOULDERS, 10 1/2"
- ② EX PIPE UNDERDRAIN
- ③ EX STABILIZED SUBBASE 4"
- ④ EX PCC PAVEMENT 9"-6"-9"
- ⑤ EX HOT-MIX ASPHALT SURFACE, 2 1/2"
- ⑥ EX CONCRETE CURB & GUTTER B 9.24
- ⑦ EX CONCRETE CURB & GUTTER B 6.24
- ⑦A EX CONCRETE CURB & GUTTER M6.06
- ⑧ EX PCC PAVEMENT 8"
- ⑨ EX PCC BASE COURSE 9"
- ⑩ EX COMBINATION CURB & GUTTER TYPE B 6.18
- ⑪ EX SUBBASE GRANULAR MATERIAL, TYPE B 12" & VAR.
- ⑫ EX HOT-MIX ASPHALT CONCRETE BASE COURSE 10"
- ⑬ EX HOT-MIX ASPHALT CONCRETE SURFACE COURSE, MIX E, CLASS 1, TYPE 2
- ⑬A PR PAVED SHOULDER REMOVAL, 1 1/2"
- ⑭ PR HOT-MIX ASPHALT SURFACE REMOVAL 2 1/2"
- ⑭A PR LEVELING BINDER 1"
- ⑮ PR HOT-MIX ASPHALT SURFACE COURSE, MIX "D", N70 - 1 1/2"
- ⑮A PR HOT-MIX ASPHALT SURFACE COURSE, POLYMER MIX "D", N70 - 1 1/2"
- ⑯ PR HOT-MIX ASPHALT SHOULDERS, 8"
- ⑰ PR PAVEMENT MARKING, LINE 5"
- ⑱ PCC SIDEWALK

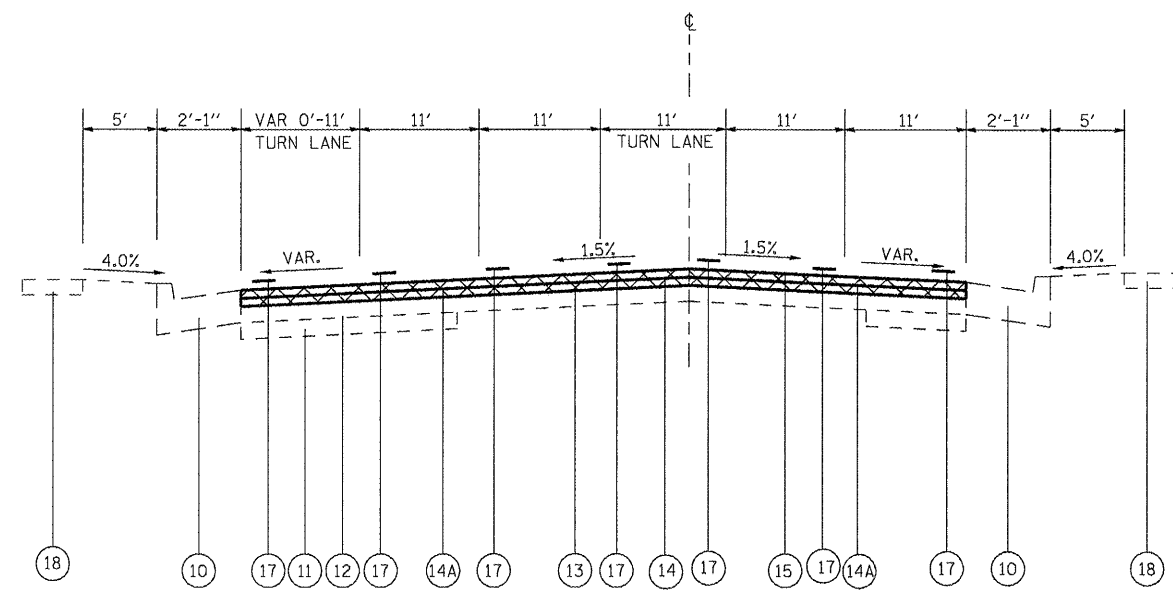
FILE NAME =	USER NAME = laughlirr1	DESIGNED -	REVISED -
et\pwwork\pwwid001\LAUGHLINRL\dms47710\672C35-shr-typic01-129.dgn		DRAWN -	REVISED -
	PLOT SCALE = 15.8200' / IN.	CHECKED -	REVISED -
	PLOT DATE = Apr-30-2018 11:15:03AM	DATE -	REVISED -

**STATE OF ILLINOIS
DEPARTMENT OF TRANSPORTATION**

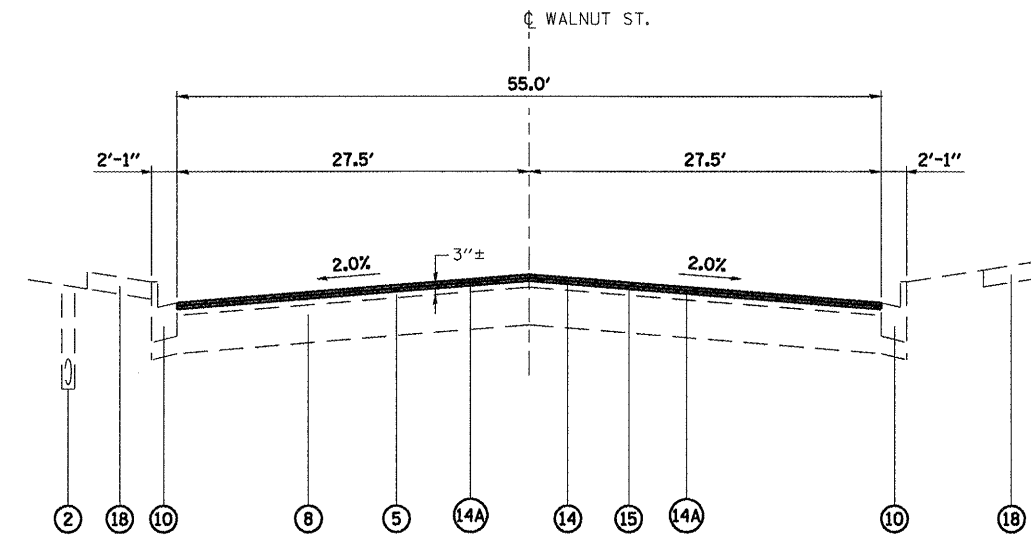
**TYPICAL SECTIONS - SECTION "A" IL 29
(OLD IL 29 - J. DAVID JONES PKWY/WALNUT ST)**

SCALE: SHEET NO. 6 OF 9 SHEETS STA. TO STA.

F.A.P. RTE.	SECTION	COUNTY	TOTAL SHEETS	SHEET NO.
658	*	SANGAMON	206	44
CONTRACT NO. 72C35			ILLINOIS FED. AID PROJECT	



STA 13+13.00 TO STA 15+30.00



STA 15+30.00 TO 21+09.00

LEGEND

- ① EX HOT-MIX ASPHALT SHOULDERS, 10 1/2"
- ② EX PIPE UNDERDRAIN
- ③ EX STABILIZED SUBBASE 4"
- ④ EX PCC PAVEMENT 9"-6"-9"
- ⑤ EX HOT-MIX ASPHALT SURFACE, 2 1/2"
- ⑥ EX CONCRETE CURB & GUTTER B 9.24
- ⑦ EX CONCRETE CURB & GUTTER B 6.24
- ⑦A EX CONCRETE CURB & GUTTER M6.06
- ⑧ EX PCC PAVEMENT 8"
- ⑨ EX PCC BASE COURSE 9"
- ⑩ EX COMBINATION CURB & GUTTER TYPE B 6.18
- ⑪ EX SUBBASE GRANULAR MATERIAL, TYPE B 12" & VAR.
- ⑫ EX HOT-MIX ASPHALT CONCRETE BASE COURSE 10"
- ⑬ EX HOT-MIX ASPHALT CONCRETE SURFACE COURSE, MIX E, CLASS 1, TYPE 2
- ⑬A PR PAVED SHOULDER REMOVAL, 1 1/2"
- ⑭ PR HOT-MIX ASPHALT SURFACE REMOVAL 2 1/2"
- ⑭A PR LEVELING BINDER 1"
- ⑮ PR HOT-MIX ASPHALT SURFACE COURSE, MIX "D", N70 - 1 1/2"
- ⑮A PR HOT-MIX ASPHALT SURFACE COURSE, POLYMER MIX "D", N70 - 1 1/2"
- ⑯ PR HOT-MIX ASPHALT SHOULDERS, 8"
- ⑰ PR PAVEMENT MARKING, LINE 5"
- ⑱ PCC SIDEWALK

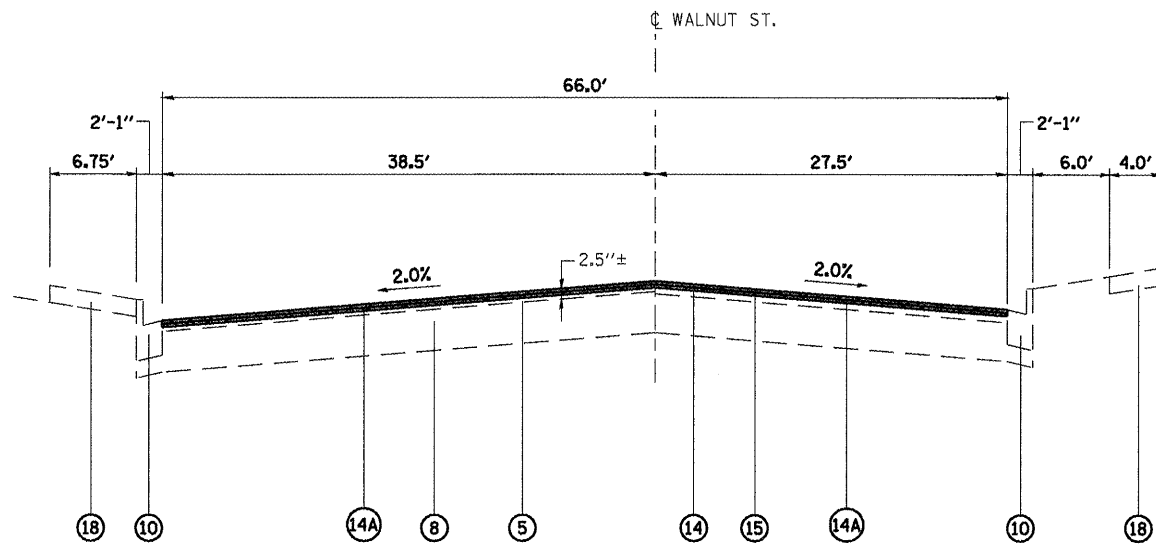
FILE NAME =	USER NAME = laughlinr1	DESIGNED -	REVISED -
ca\pwwork\VPWIDOT\LAUGHLINRL\dms47718\0672C35-eh-typical-1129.dgn		DRAWN -	REVISED -
PLOT SCALE = 15.0000' / IN.		CHECKED -	REVISED -
PLOT DATE = Apr-30-2010 11:15:06AM		DATE -	REVISED -

**STATE OF ILLINOIS
DEPARTMENT OF TRANSPORTATION**

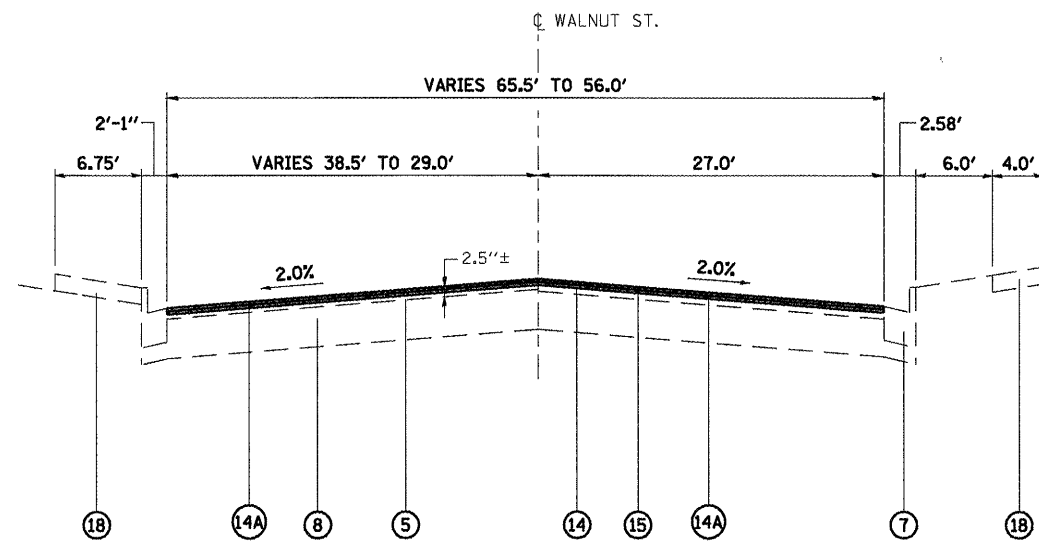
**TYPICAL SECTIONS - SECTION "A" IL 29
(OLD IL 29 - J. DAVID JONES PKWY/WALNUT ST)**

SCALE: SHEET NO. 7 OF 9 SHEETS STA. TO STA.

F.A.P. RTE. 658	SECTION *	COUNTY SANGAMON	TOTAL SHEETS 206	SHEET NO. 45
CONTRACT NO. 72C35			ILLINOIS FED. AID PROJECT	



STA 21+09.00 TO 21+96.30.00



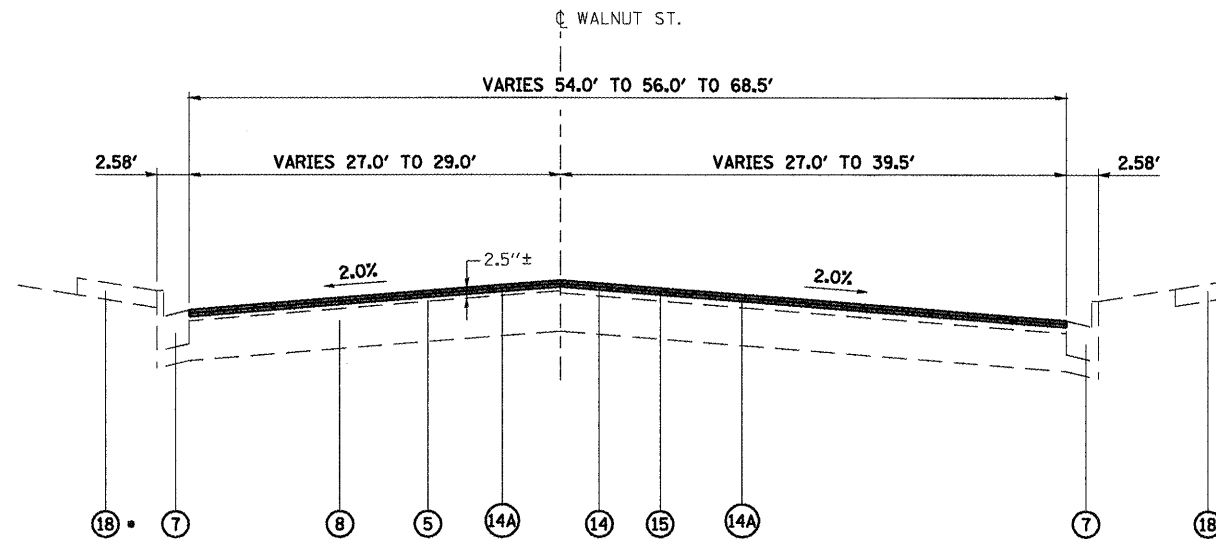
STA 21+96.30 TO 22+85.00

(LT) PAVEMENT WIDTH 38.5' FROM STA 21+96.30 TO STA 22+28
 (LT) PAVEMENT WIDTH TAPER 38.5' TO 29.0' FROM STA 22+28 TO STA 22+85

LEGEND

- ① EX HOT-MIX ASPHALT SHOULDERS, 10 1/2"
- ② EX PIPE UNDERDRAIN
- ③ EX STABILIZED SUBBASE 4"
- ④ EX PCC PAVEMENT 9"-6"-9"
- ⑤ EX HOT-MIX ASPHALT SURFACE, 2 1/2"
- ⑥ EX CONCRETE CURB & GUTTER B 9.24
- ⑦ EX CONCRETE CURB & GUTTER B 6.24
- ⑦A EX CONCRETE CURB & GUTTER M6.06
- ⑧ EX PCC PAVEMENT 8"
- ⑨ EX PCC BASE COURSE 9"
- ⑩ EX COMBINATION CURB & GUTTER TYPE B 6.18
- ⑪ EX SUBBASE GRANULAR MATERIAL, TYPE B 12" & VAR.
- ⑫ EX HOT-MIX ASPHALT CONCRETE BASE COURSE 10"
- ⑬ EX HOT-MIX ASPHALT CONCRETE SURFACE COURSE, MIX E, CLASS 1, TYPE 2
- ⑬A PR PAVED SHOULDER REMOVAL, 1 1/2"
- ⑭ PR HOT-MIX ASPHALT SURFACE REMOVAL 2 1/2"
- ⑭A PR LEVELING BINDER 1"
- ⑮ PR HOT-MIX ASPHALT SURFACE COURSE, MIX "D", N70 - 1 1/2"
- ⑮A PR HOT-MIX ASPHALT SURFACE COURSE, POLYMER MIX "D", N70 - 1 1/2"
- ⑯ PR HOT-MIX ASPHALT SHOULDERS, 8"
- ⑰ PR PAVEMENT MARKING, LINE 5"
- ⑱ PCC SIDEWALK

FILE NAME =	USER NAME = laughlinr1	DESIGNED -	REVISED -	STATE OF ILLINOIS DEPARTMENT OF TRANSPORTATION	TYPICAL SECTIONS - SECTION "A" IL 29 (OLD IL 29 - J. DAVID JONES PKWY/WALNUT ST)	F.A.P. RTE.	SECTION	COUNTY	TOTAL SHEETS	SHEET NO.
ce:\pwwork\PMIDOT\LAUGHLINRL\dms47710\6272035-shr-typical-1129.dgn	PLOT SCALE = 15.0000' / IN.	DRAWN -	REVISED -			658		SANGAMON	206	46
PLOT DATE = Apr-30-2010 11:05:08AM	DATE -	CHECKED -	REVISED -			CONTRACT NO. 72C35				
						ILLINOIS FED. AID PROJECT				



* EX. SDWLK ADJACENT TO BACK OF CURB
 STA. 22+85.00 - 23+51.82, LT.
 * EX. FACE OF SDWLK 2.0'
 FROM BACK OF CURB STA 22+85.00 TO 26+67.40
 STA. 23+51.82 - 26+67.40, LT.

(LT) PAVEMENT WIDTH 29.0' FROM STA 24+62 TO STA 25+75
 (LT) C & G 6.24 FROM STA 22+85 TO STA 24+62
 (LT) CURB ONLY FROM STA 24+62 TO 25+75

(RT) PAVEMENT WIDTH 27.0' FROM STA 23+16.50 TO STA 24+28
 (RT) PAVEMENT WIDTH TAPER 27.0' TO 39.5' FROM STA 24+28 TO STA 25+42
 (RT) C & G B-6.24 FROM STA 22+85 TO STA 24+82
 (RT) C & G B-6.18 FROM STA 24+82 TO STA 25+75

LEGEND

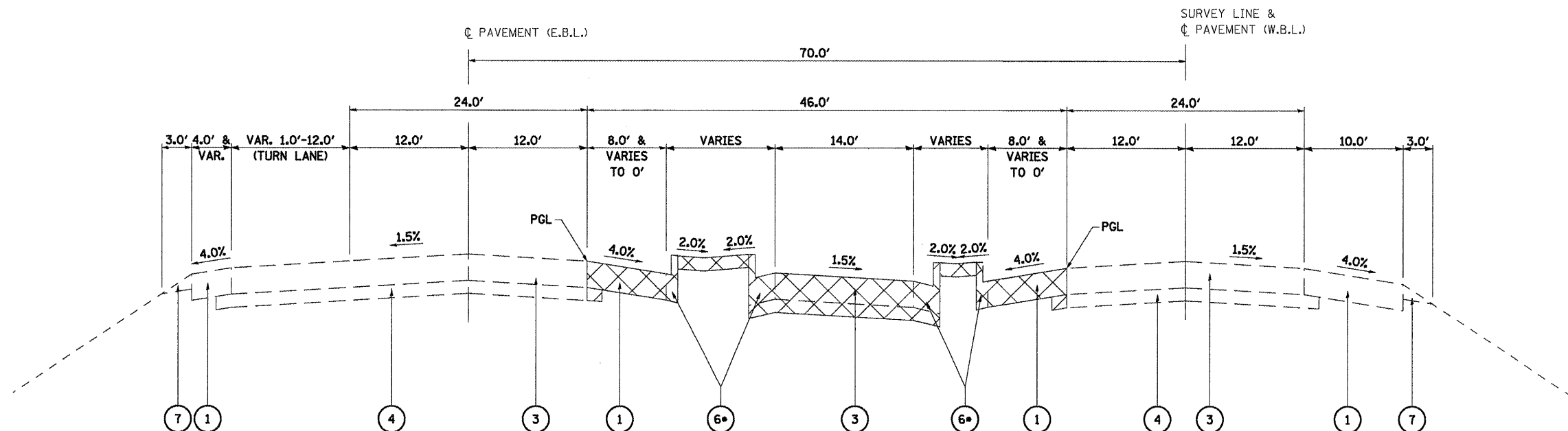
- ① EX HOT-MIX ASPHALT SHOULDERS, 10 1/2"
- ② EX PIPE UNDERDRAIN
- ③ EX STABILIZED SUBBASE 4"
- ④ EX PCC PAVEMENT 9"-6"-9"
- ⑤ EX HOT-MIX ASPHALT SURFACE, 2 1/2"
- ⑥ EX CONCRETE CURB & GUTTER B 9.24
- ⑦ EX CONCRETE CURB & GUTTER B 6.24
- ⑦A EX CONCRETE CURB & GUTTER M6.06
- ⑧ EX PCC PAVEMENT 8"
- ⑨ EX PCC BASE COURSE 9"
- ⑩ EX COMBINATION CURB & GUTTER TYPE B 6.18
- ⑪ EX SUBBASE GRANULAR MATERIAL, TYPE B 12" & VAR.
- ⑫ EX HOT-MIX ASPHALT CONCRETE BASE COURSE 10"
- ⑬ EX HOT-MIX ASPHALT CONCRETE SURFACE COURSE, MIX E, CLASS 1, TYPE 2
- ⑬A PR PAVED SHOULDER REMOVAL, 1 1/2"
- ⑭ PR HOT-MIX ASPHALT SURFACE REMOVAL 2 1/2"
- ⑭A PR LEVELING BINDER 1"
- ⑮ PR HOT-MIX ASPHALT SURFACE COURSE, MIX "D", N70 - 1 1/2"
- ⑮A PR HOT-MIX ASPHALT SURFACE COURSE, POLYMER MIX "D", N70 - 1 1/2"
- ⑯ PR HOT-MIX ASPHALT SHOULDERS, 8"
- ⑰ PR PAVEMENT MARKING, LINE 5"
- ⑱ PCC SIDEWALK

FILE NAME =	USER NAME = laughlinr1	DESIGNED -	REVISED -
ci:\pwwork\pwidot\LAUGHLINRL\dms47710\0572035-sh-t-typico1-129.dgn		DRAWN -	REVISED -
	PLOT SCALE = 15.0000' / IN.	CHECKED -	REVISED -
	PLOT DATE = Apr-30-2010 11:51:06AM	DATE -	REVISED -

STATE OF ILLINOIS
 DEPARTMENT OF TRANSPORTATION

TYPICAL SECTIONS - SECTION "A" IL 29
 (OLD IL 29 - J. DAVID JONES PKWY/WALNUT ST)

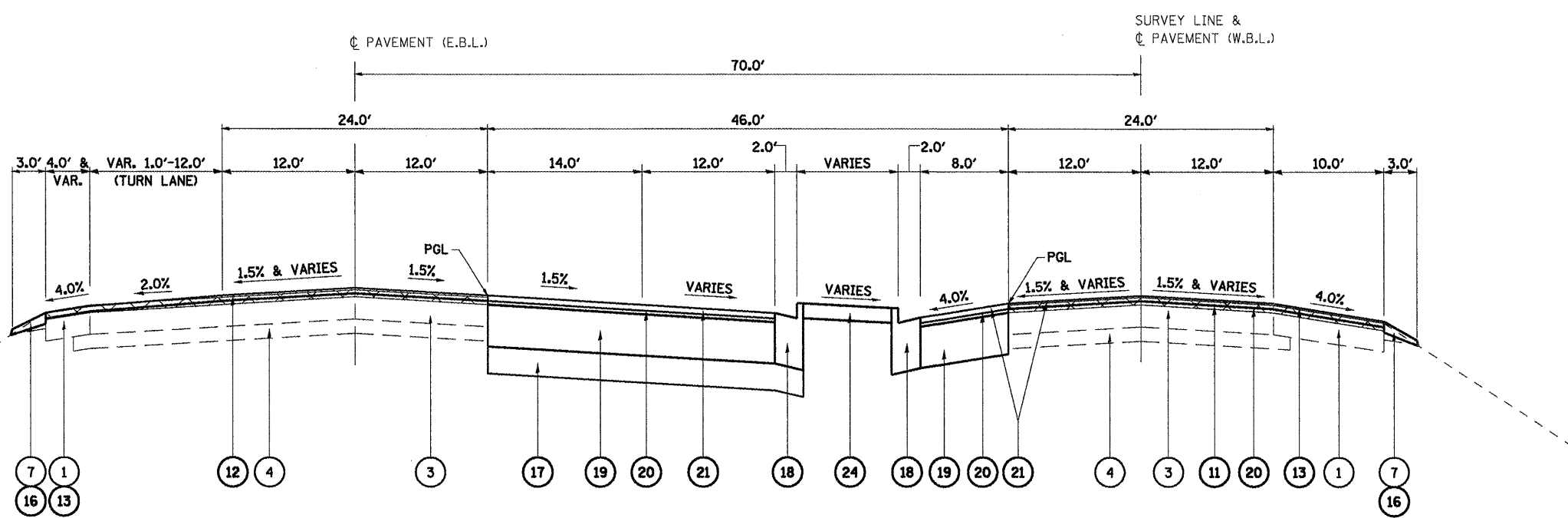
SCALE:	SHEET NO. 9 OF 9 SHEETS	STA.	TO STA.	F.A.P. RTE.	SECTION	COUNTY	TOTAL SHEETS	SHEET NO.
				658	*	SANGAMON	206	47
				CONTRACT NO. T2C35				
				ILLINOIS FED. AID PROJECT				



EXISTING TYPICAL SECTION WITH REMOVAL
 STA. 100+49.35 - 101+30.00 - INTERSECTION
 STA. 101+30.00 - 102+90.00

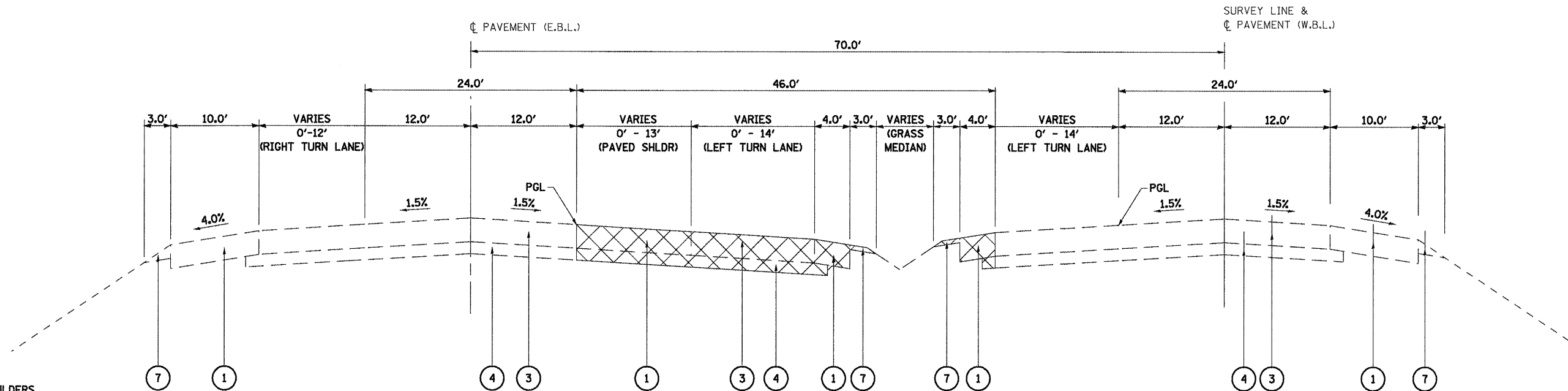
• M-6.24 ADJACENT TO BURIED LT TURN LANE &
 M-6.06 ADJACENT TO HOT-MIX ASPHALT SHOULDER

- ① EXISTING HOT-MIX ASPHALT SHOULDERS
- ② EXISTING HOT-MIX ASPHALT SHOULDERS WITH STD. 2438 RUMBLE STRIPS, CONTINUOUS
- ③ EXISTING PCC PAVEMENT (8")
- ④ EXISTING STABILIZED SUB-BASE (4")
- ⑤ EXISTING SUB-BASE GRANULAR MATERIAL, TY C
- ⑥ EXISTING CONCRETE CURB & GUTTER
- ⑥A EXISTING CONCRETE CURB & GUTTER M-2.12 OR M-4.12
- ⑥B EXISTING CONCRETE CURB & GUTTER M-2.24 OR M-4.24
- ⑦ EXISTING AGGREGATE SHOULDERS, TY B
- ⑧ EXISTING CONCRETE MEDIAN (4" OR 6")
- ⑨ EXISTING SOLID MEDIAN, STD. 2122
- ⑩ EXISTING BITUMINOUS CONCRETE PAVEMENT (FULL DEPTH), 13.5"
- ⑪ PROPOSED HOT-MIX ASPHALT SURFACE REMOVAL (2")
- ⑫ PROPOSED HOT-MIX ASPHALT SURFACE COURSE, POLYMER MIX "D", N70-2"
- ⑬ PROPOSED HOT-MIX ASPHALT SHOULDERS (2")
- ⑭ PROPOSED HOT-MIX ASPHALT SHOULDERS WITH STD. 2438 RUMBLE STRIPS, CONTINUOUS
- ⑮ PROPOSED PAVEMENT MARKING, LINE (5")
- ⑯ PROPOSED AGGREGATE SHOULDERS, TYPE B
- ⑰ PROPOSED SUB-BASE GRANULAR MATERIAL, TYPE A, 8"
- ⑱ PROPOSED COMBINED CONCRET E CURB & GUTTER, TYPE M 4.24
- ⑲ PROPOSED HOT-MIX ASPHALT BASE COURSE, 11"
- ⑳ PROPOSED LEVELING BINDER (MACHINE METHOD), 1" & VAR. DEPTH
- ㉑ PROPOSED HOT-MIX ASPHALT SURFACE COURSE, 1.5"
- ㉒ PROPOSED HOT-MIX ASPHALT SHOULDERS, 8"
- ㉓ PROPOSED SUB-BASE GRANULAR MATERIAL, TYPE B, VAR. DEPTH
- ㉔ PROPOSED CONCRETE MEDIAN SURFACE, 4"



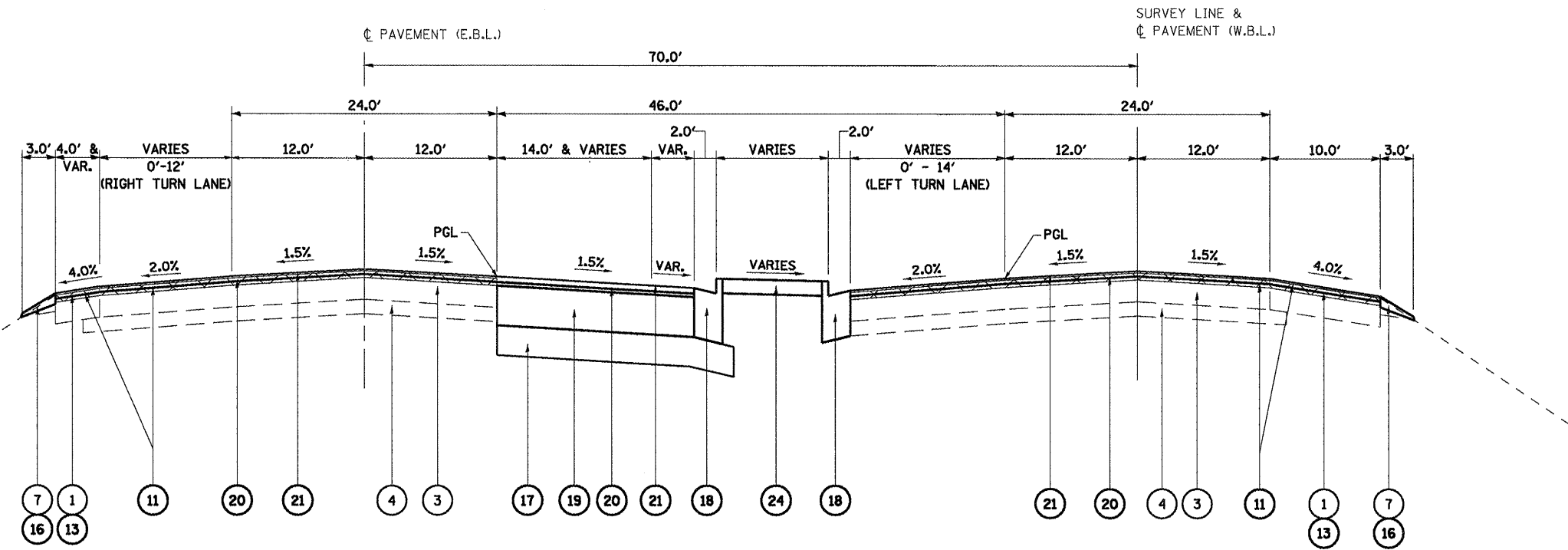
PROPOSED TYPICAL SECTION
 STA. 100+49.35 - 101+30.00 - INTERSECTION
 STA. 101+30.00 - 102+90.00

FILE NAME =	USER NAME = laughlinc1	DESIGNED -	REVISED -	STATE OF ILLINOIS DEPARTMENT OF TRANSPORTATION	TYPICAL SECTIONS, SECTION "B" (IL 4), VETERANS PKWY	F.A.P. RTE. 658	SECTION *	COUNTY SANGAMON	TOTAL SHEETS 206	SHEET NO. 48	
ce:\pwwork\pwwid07\LAUGHLINRL\dms47710\c\72c35-4\tr\typical-b-veterans.dgn	DRAWN -	REVISED -	REVISED -			SCALE:	SHEET NO. 1 OF 10 SHEETS	STA.	TO STA.	ILLINOIS FED. AID PROJECT	
	CHECKED -	REVISED -	REVISED -								
	DATE -	REVISED -	REVISED -								



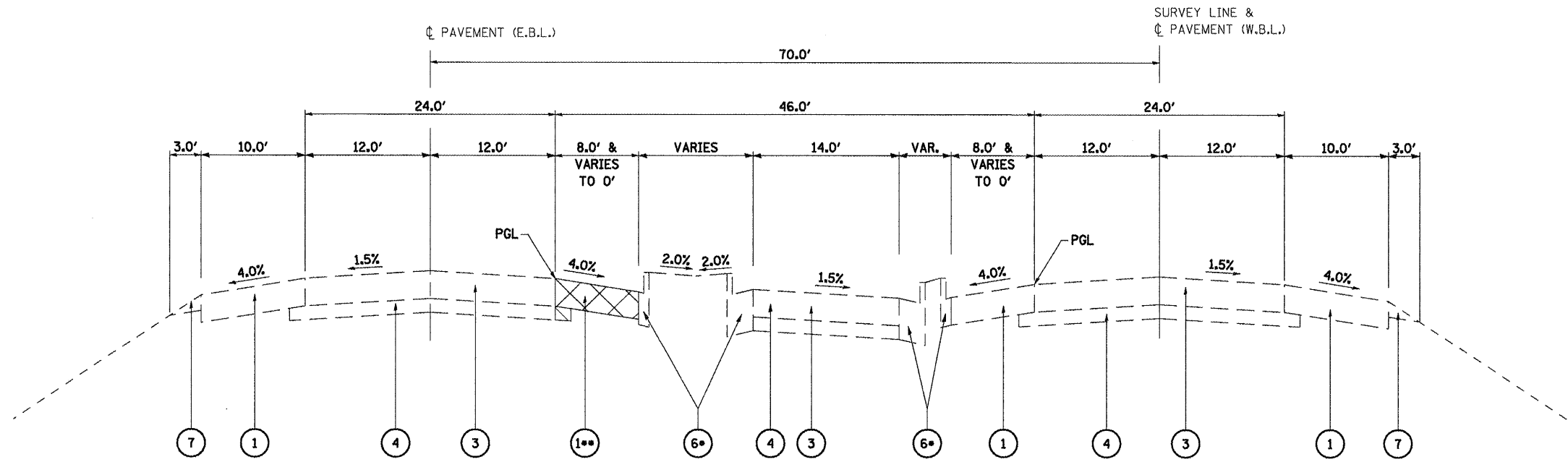
EXISTING TYPICAL SECTION WITH REMOVAL
STA. 102+90.00 - 107+74.00

- 1 EXISTING HOT-MIX ASPHALT SHOULDERS
- 2 EXISTING HOT-MIX ASPHALT SHOULDERS WITH STD. 2438 RUMBLE STRIPS, CONTINUOUS
- 3 EXISTING PCC PAVEMENT (8")
- 4 EXISTING STABILIZED SUB-BASE (4")
- 5 EXISTING SUB-BASE GRANULAR MATERIAL, TY C
- 6 EXISTING CONCRETE CURB & GUTTER
- 6A EXISTING CONCRETE CURB & GUTTER M-2.12 OR M-4.12
- 6B EXISTING CONCRETE CURB & GUTTER M-2.24 OR M-4.24
- 7 EXISTING AGGREGATE SHOULDERS, TY B
- 8 EXISTING CONCRETE MEDIAN (4" OR 6")
- 9 EXISTING SOLID MEDIAN, STD. 2122
- 10 EXISTING BITUMINOUS CONCRETE PAVEMENT (FULL DEPTH), 13.5"
- 11 PROPOSED HOT-MIX ASPHALT SURFACE REMOVAL (2")
- 12 PROPOSED HOT-MIX ASPHALT SURFACE COURSE, POLYMER MIX "D", N70-2"
- 13 PROPOSED HOT-MIX ASPHALT SHOULDERS (2")
- 14 PROPOSED HOT-MIX ASPHALT SHOULDERS WITH STD. 2438 RUMBLE STRIPS, CONTINUOUS
- 15 PROPOSED PAVEMENT MARKING, LINE (5")
- 16 PROPOSED AGGREGATE SHOULDERS, TYPE B
- 17 PROPOSED SUB-BASE GRANULAR MATERIAL, TYPE A, 8"
- 18 PROPOSED COMBINED CONCRET E CURB & GUTTER, TYPE M 4.24
- 19 PROPOSED HOT-MIX ASPHALT BASE COURSE, 11"
- 20 PROPOSED LEVELING BINDER (MACHINE METHOD), 1" & VAR. DEPTH
- 21 PROPOSED HOT-MIX ASPHALT SURFACE COURSE, 1.5"
- 22 PROPOSED HOT-MIX ASPHALT SHOULDERS, 8"
- 23 PROPOSED SUB-BASE GRANULAR MATERIAL, TYPE B, VAR. DEPTH
- 24 PROPOSED CONCRETE MEDIAN SURFACE, 4"



PROPOSED TYPICAL SECTION
STA. 102+90.00 - 107+74.00

FILE NAME =	USER NAME = laughlinr1	DESIGNED -	REVISED -	STATE OF ILLINOIS DEPARTMENT OF TRANSPORTATION	TYPICAL SECTIONS, SECTION "B" (IL 4), VETERANS PKWY	F.A.P. RTE. 658	SECTION •	COUNTY SANGAMON	TOTAL SHEETS 206	SHEET NO. 49	
ca:\pwork\VPWIDOT\LAUGHLINRL\dms47710\572c35-sh-typical-section-veterans.dgn	PLT SCALE = 28.0000' / IN.	DRAWN -	REVISED -		SCALE:	SHEET NO. 2 OF 10 SHEETS	STA.	TO STA.	ILLINOIS FED. AID PROJECT CONTRACT NO. 72C35		
PLT DATE = Apr-30-2010 11:15:16AM	DATE -	CHECKED -	REVISED -								



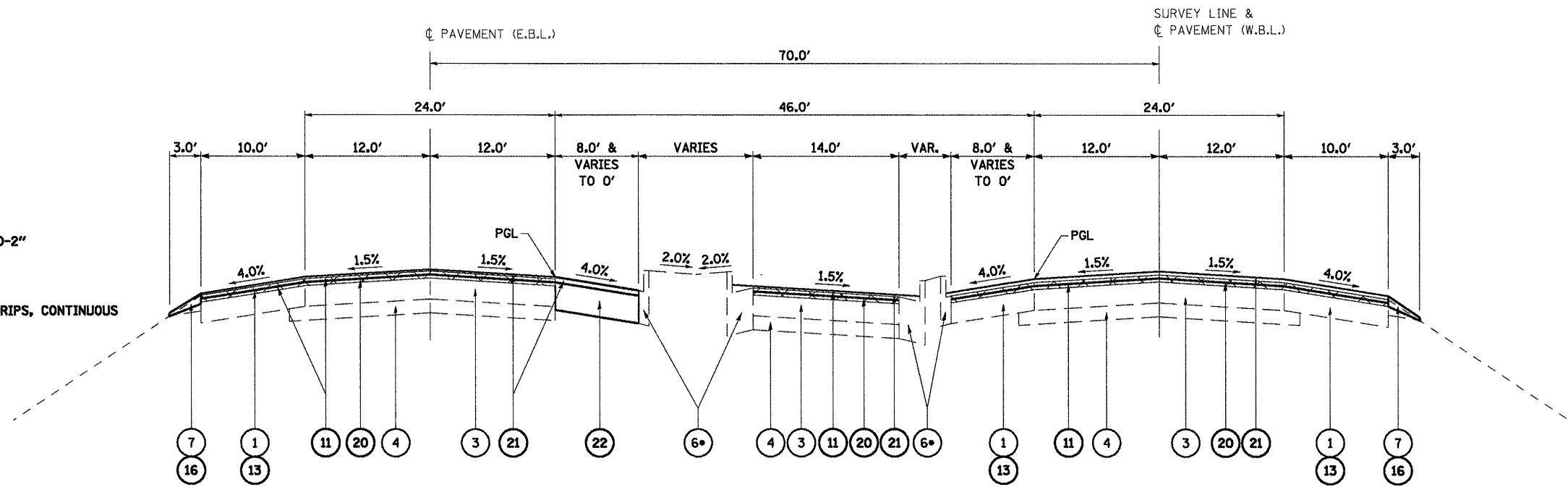
** HMA SHLDR REMOVAL
ENDS STA. 108+14

EXISTING TYPICAL SECTION WITH REMOVAL

STA. 107+74.00 - 109+50.00
 STA. 109+50.00 - 109+98.00 - INTERSECTION, NO RAISED MEDIAN
 STA. 109+98.00 - 112+50.00

EXIST. M-6.24 ADJACENT TO BURIED LT TURN LANE &
 EXIST. M-6.06 ADJACENT TO HOT-MIX ASPHALT SHOULDER

- 1 EXISTING HOT-MIX ASPHALT SHOULDERS
- 2 EXISTING HOT-MIX ASPHALT SHOULDERS WITH STD. 2438 RUMBLE STRIPS, CONTINUOUS
- 3 EXISTING PCC PAVEMENT (8")
- 4 EXISTING STABILIZED SUB-BASE (4")
- 5 EXISTING SUB-BASE GRANULAR MATERIAL, TY C
- 6 EXISTING CONCRETE CURB & GUTTER
- 6A EXISTING CONCRETE CURB & GUTTER M-2.12 OR M-4.12
- 6B EXISTING CONCRETE CURB & GUTTER M-2.24 OR M-4.24
- 7 EXISTING AGGREGATE SHOULDERS, TY B
- 8 EXISTING CONCRETE MEDIAN (4" OR 6")
- 9 EXISTING SOLID MEDIAN, STD. 2122
- 10 EXISTING BITUMINOUS CONCRETE PAVEMENT (FULL DEPTH), 13.5"
- 11 PROPOSED HOT-MIX ASPHALT SURFACE REMOVAL (2")
- 12 PROPOSED HOT-MIX ASPHALT SURFACE COURSE, POLYMER MIX "D", N70-2"
- 13 PROPOSED HOT-MIX ASPHALT SHOULDERS (2")
- 14 PROPOSED HOT-MIX ASPHALT SHOULDERS WITH STD. 2438 RUMBLE STRIPS, CONTINUOUS
- 15 PROPOSED PAVEMENT MARKING, LINE (5")
- 16 PROPOSED AGGREGATE SHOULDERS, TYPE B
- 17 PROPOSED SUB-BASE GRANULAR MATERIAL, TYPE A, 8"
- 18 PROPOSED COMBINED CONCRET E CURB & GUTTER, TYPE M 4.24
- 19 PROPOSED HOT-MIX ASPHALT BASE COURSE, 11"
- 20 PROPOSED LEVELING BINDER (MACHINE METHOD), 1" & VAR. DEPTH
- 21 PROPOSED HOT-MIX ASPHALT SURFACE COURSE, 1.5"
- 22 PROPOSED HOT-MIX ASPHALT SHOULDERS, 8"
- 23 PROPOSED SUB-BASE GRANULAR MATERIAL, TYPE B, VAR. DEPTH
- 24 PROPOSED CONCRETE MEDIAN SURFACE, 4"



PROPOSED TYPICAL SECTION

STA. 107+74.00 - 109+50.00
 STA. 109+50.00 - 109+98.00 - INTERSECTION, NO RAISED MEDIAN
 STA. 109+98.00 - 112+50.00

EXIST. M-6.24 ADJACENT TO BURIED LT TURN LANE &
 EXIST. M-6.06 ADJACENT TO HOT-MIX ASPHALT SHOULDER

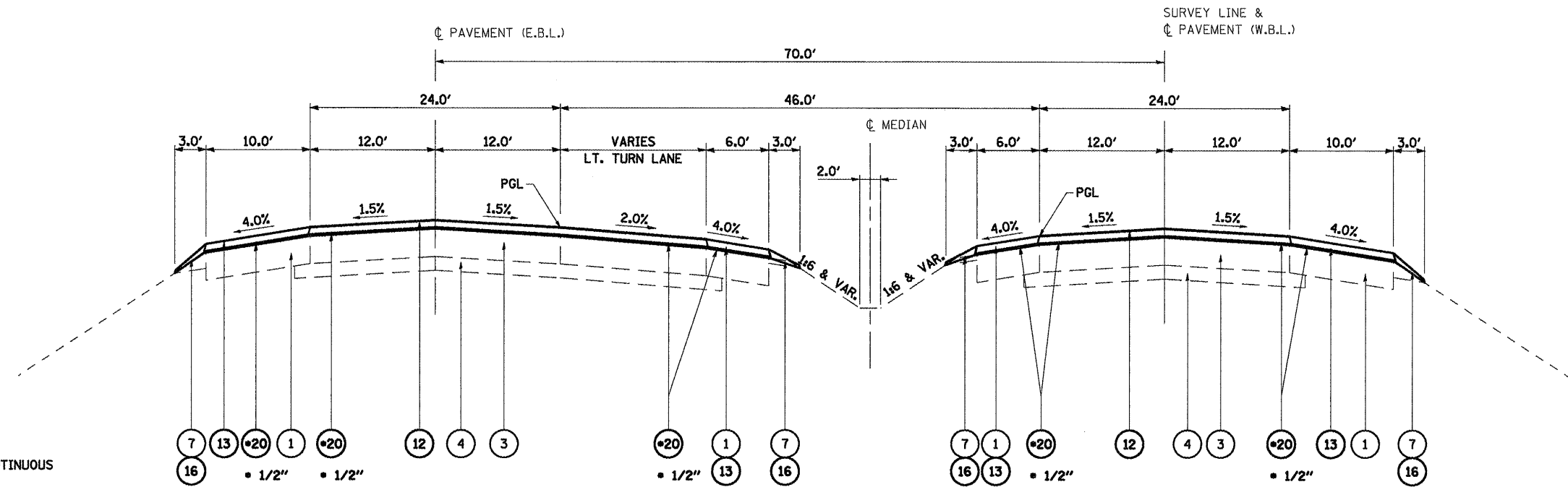
FILE NAME =	USER NAME = leughlirr1	DESIGNED -	REVISED -
en\pwwork\KRWIDOT\LAUGHLINRL\dms47710\672e35-shr-typical-veterans.dgn		DRAWN -	REVISED -
PLOT SCALE = 28.0000' / IN.		CHECKED -	REVISED -
PLOT DATE = Apr-30-2018 11:15:19AM		DATE -	REVISED -

**STATE OF ILLINOIS
DEPARTMENT OF TRANSPORTATION**

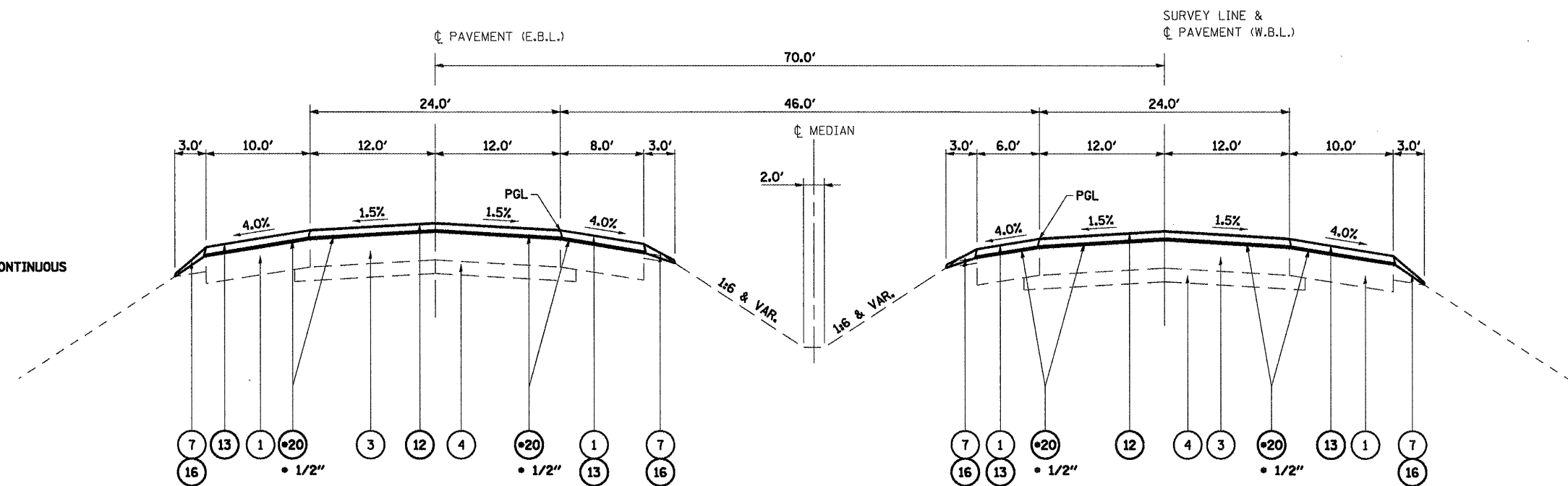
**TYPICAL SECTIONS, SECTION "B"
(IL 4), VETERANS PKWY**

SCALE: SHEET NO. 3 OF 10 SHEETS STA. TO STA.

F.A.P. RTE.	SECTION	COUNTY	TOTAL SHEETS	SHEET NO.
658	*	SANGAMON	206	50
CONTRACT NO. 72C35			ILLINOIS FED. AID PROJECT	



STA. 112+50.00 - 116+ 58.26, NO LEFT TURN LANE



STA. 116+58.26 - 117+50.00

- 1 EXISTING HOT-MIX ASPHALT SHOULDERS
- 2 EXISTING HOT-MIX ASPHALT SHOULDERS WITH STD. 2438 RUMBLE STRIPS, CONTINUOUS
- 3 EXISTING PCC PAVEMENT (8")
- 4 EXISTING STABILIZED SUB-BASE (4")
- 5 EXISTING SUB-BASE GRANULAR MATERIAL, TY C
- 6 EXISTING CONCRETE CURB & GUTTER
- 6A EXISTING CONCRETE CURB & GUTTER M-2.12 OR M-4.12
- 6B EXISTING CONCRETE CURB & GUTTER M-2.24 OR M-4.24
- 7 EXISTING AGGREGATE SHOULDERS, TY B
- 8 EXISTING CONCRETE MEDIAN (4" OR 6")
- 9 EXISTING SOLID MEDIAN, STD. 2122
- 10 EXISTING BITUMINOUS CONCRETE PAVEMENT (FULL DEPTH), 13.5"
- 11 PROPOSED HOT-MIX ASPHALT SURFACE REMOVAL (2")
- 12 PROPOSED HOT-MIX ASPHALT SURFACE COURSE, POLYMER MIX "D", N70-2"
- 13 PROPOSED HOT-MIX ASPHALT SHOULDERS (2")
- 14 PROPOSED HOT-MIX ASPHALT SHOULDERS WITH STD. 2438 RUMBLE STRIPS, CONTINUOUS
- 15 PROPOSED PAVEMENT MARKING, LINE (5")
- 16 PROPOSED AGGREGATE SHOULDERS, TYPE B
- 17 PROPOSED SUB-BASE GRANULAR MATERIAL, TYPE A, 8"
- 18 PROPOSED COMBINED CONCRET E CURB & GUTTER, TYPE M 4.24
- 19 PROPOSED HOT-MIX ASPHALT BASE COURSE, 11"
- 20 PROPOSED LEVELING BINDER (MACHINE METHOD), 1" & VAR. DEPTH
- 21 PROPOSED HOT-MIX ASPHALT SURFACE COURSE, 1.5"
- 22 PROPOSED HOT-MIX ASPHALT SHOULDERS, 8"
- 23 PROPOSED SUB-BASE GRANULAR MATERIAL, TYPE B, VAR. DEPTH
- 24 PROPOSED CONCRETE MEDIAN SURFACE, 4"

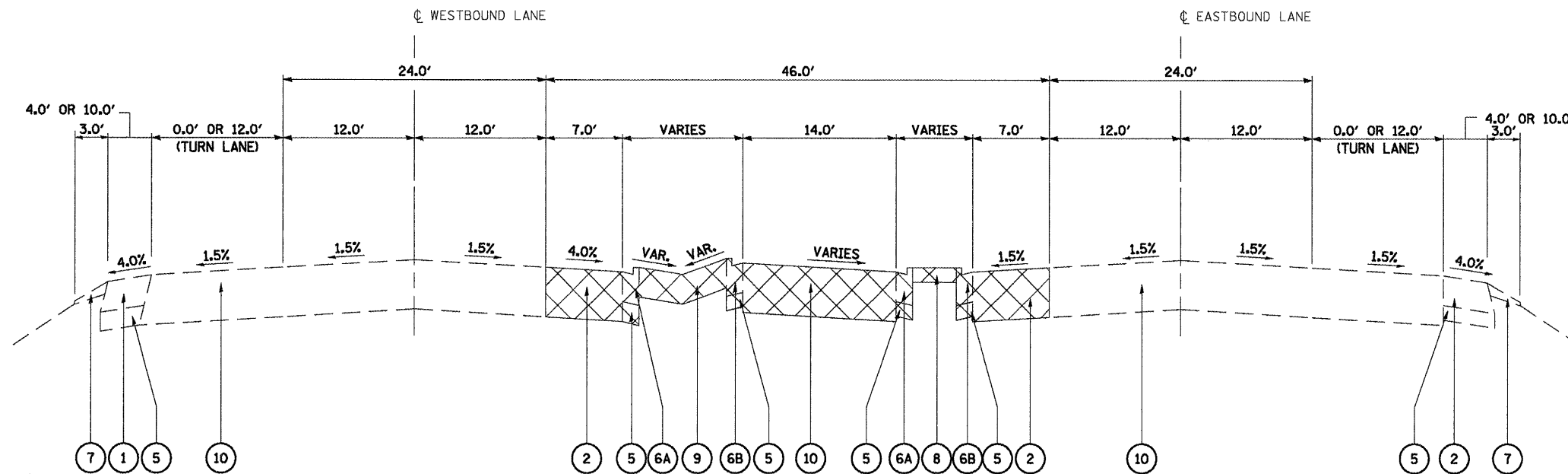
FILE NAME =	USER NAME = leughlirr1	DESIGNED -	REVISED -
es:\pwwork\pwwid\T\LAUGHLINRL\dms47710\672c35-shr-typical-veterans.dgn		DRAWN -	REVISED -
	PLOT SCALE = 20.0000' / IN.	CHECKED -	REVISED -
	PLOT DATE = Apr-30-2010 11:15:21AM	DATE -	REVISED -

**STATE OF ILLINOIS
DEPARTMENT OF TRANSPORTATION**

**TYPICAL SECTIONS, SECTION "B"
(IL 4), VETERANS PKWY**

SCALE: SHEET NO. 4 OF 10 SHEETS STA. TO STA.

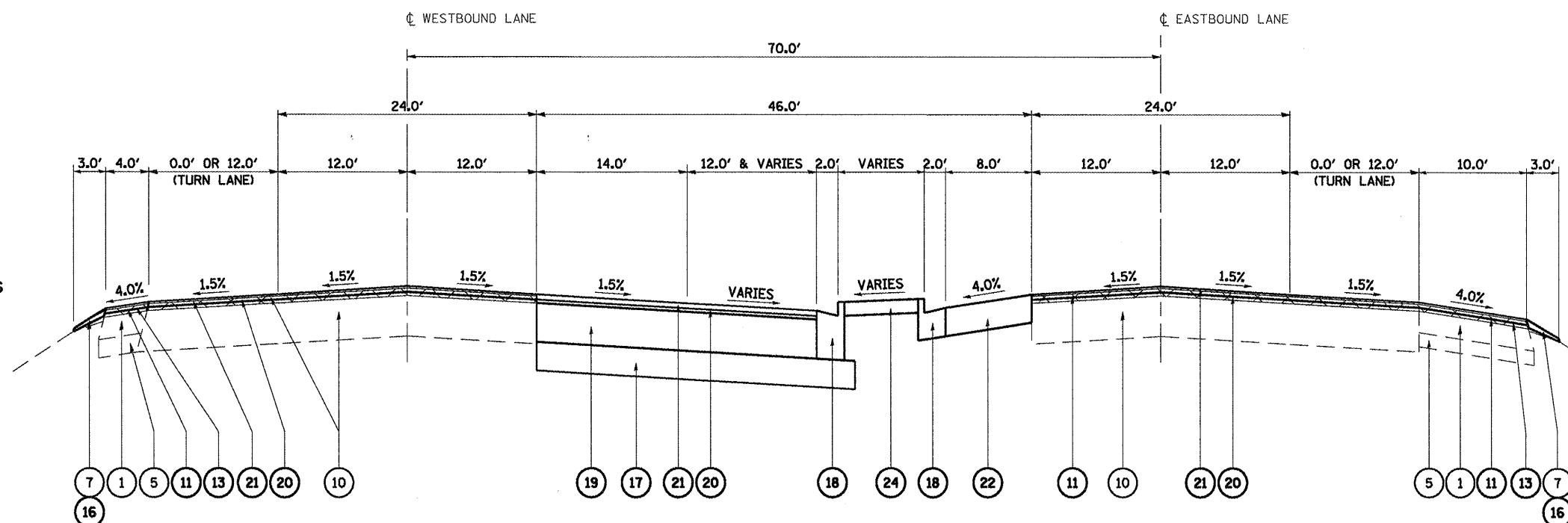
F.A.P. RTE. 658	SECTION *	COUNTY SANGAMON	TOTAL SHEETS 206	SHEET NO. 51
			CONTRACT NO. 72C35	
ILLINOIS FED. AID PROJECT				



EXISTING TYPICAL SECTION WITH REMOVAL

STA. 199+51.54 - 200+35.72 - INTERSECTION
 STA. 200+35.72 - 203+81.32

- 1 EXISTING HOT-MIX ASPHALT SHOULDERS
- 2 EXISTING HOT-MIX ASPHALT SHOULDERS WITH STD. 2438 RUMBLE STRIPS, CONTINUOUS
- 3 EXISTING PCC PAVEMENT (8")
- 4 EXISTING STABILIZED SUB-BASE (4")
- 5 EXISTING SUB-BASE GRANULAR MATERIAL, TY C
- 6 EXISTING CONCRETE CURB & GUTTER
- 6A EXISTING CONCRETE CURB & GUTTER M-2.12 OR M-4.12
- 6B EXISTING CONCRETE CURB & GUTTER M-2.24 OR M-4.24
- 7 EXISTING AGGREGATE SHOULDERS, TY B
- 8 EXISTING CONCRETE MEDIAN (4" OR 6")
- 9 EXISTING SOLID MEDIAN, STD. 2122
- 10 EXISTING BITUMINOUS CONCRETE PAVEMENT (FULL DEPTH), 13.5"
- 11 PROPOSED HOT-MIX ASPHALT SURFACE REMOVAL (2")
- 12 PROPOSED HOT-MIX ASPHALT SURFACE COURSE, POLYMER MIX "D", N70-2"
- 13 PROPOSED HOT-MIX ASPHALT SHOULDERS (2")
- 14 PROPOSED HOT-MIX ASPHALT SHOULDERS WITH STD. 2438 RUMBLE STRIPS, CONTINUOUS
- 15 PROPOSED PAVEMENT MARKING, LINE (5")
- 16 PROPOSED AGGREGATE SHOULDERS, TYPE B
- 17 PROPOSED SUB-BASE GRANULAR MATERIAL, TYPE A, 8"
- 18 PROPOSED COMBINED CONCRETE CURB & GUTTER, TYPE M 4.24
- 19 PROPOSED HOT-MIX ASPHALT BASE COURSE, 11"
- 20 PROPOSED LEVELING BINDER (MACHINE METHOD), 1" & VAR. DEPTH
- 21 PROPOSED HOT-MIX ASPHALT SURFACE COURSE, 1.5"
- 22 PROPOSED HOT-MIX ASPHALT SHOULDERS, 8"
- 23 PROPOSED SUB-BASE GRANULAR MATERIAL, TYPE B, VAR. DEPTH
- 24 PROPOSED CONCRETE MEDIAN SURFACE, 4"



PROPOSED TYPICAL SECTION

STA. 199+51.54 - 200+35.72 - INTERSECTION
 STA. 200+35.72 - 203+81.32

FILE NAME =	USER NAME = laughl1nrl	DESIGNED -	REVISED -
ca:\pwwork\pwwid\LAUGHLINRL\dms47710\572c35-shr-typical-section-veterans.dgn		DRAWN -	REVISED -
		CHECKED -	REVISED -
		DATE -	REVISED -

**STATE OF ILLINOIS
 DEPARTMENT OF TRANSPORTATION**

TYPICAL SECTIONS, SECTION "B"	
(IL 4), VETERANS PKWY	
SCALE:	SHEET NO. 5 OF 10 SHEETS STA. TO STA.

F.A.P. RTE.	SECTION	COUNTY	TOTAL SHEETS	SHEET NO.
658	*	SANGAMON	206	52
CONTRACT NO. 72C35				

NOTES:

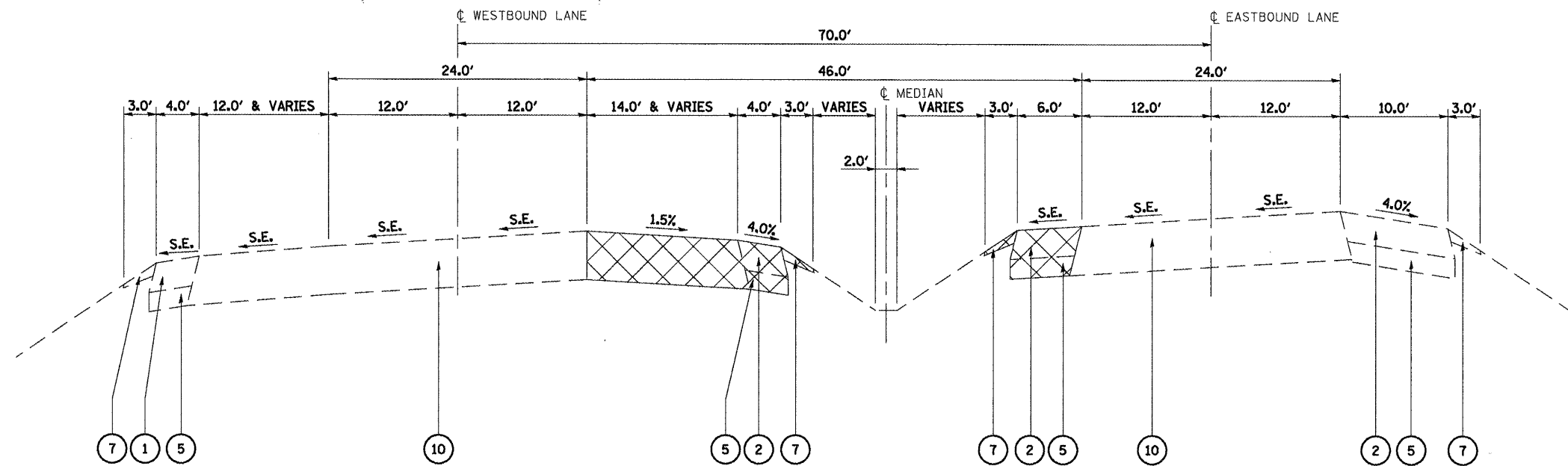
SHOULDER SLOPE FOR SUPERELEVATION

- (A) LOW SIDE: SLOPE SHALL BE SAME AS SUPERELEVATION, BUT NOT LESS THAN 4.0%.
- (B) HIGH SIDE: WHEN SUPERELEVATION IS BETWEEN 0% AND 4%, SLOPE SHOULDER @ 4.0%. WHEN SUPERELEVATION EXCEEDS 4.0%, THE SHOULDER SHALL BE SLOPED SO THAT THE ALGEBRAIC DIFFERENCE BETWEEN PAVEMENT AND SHOULDER WILL NOT BE GREATER THAN 8.0%.

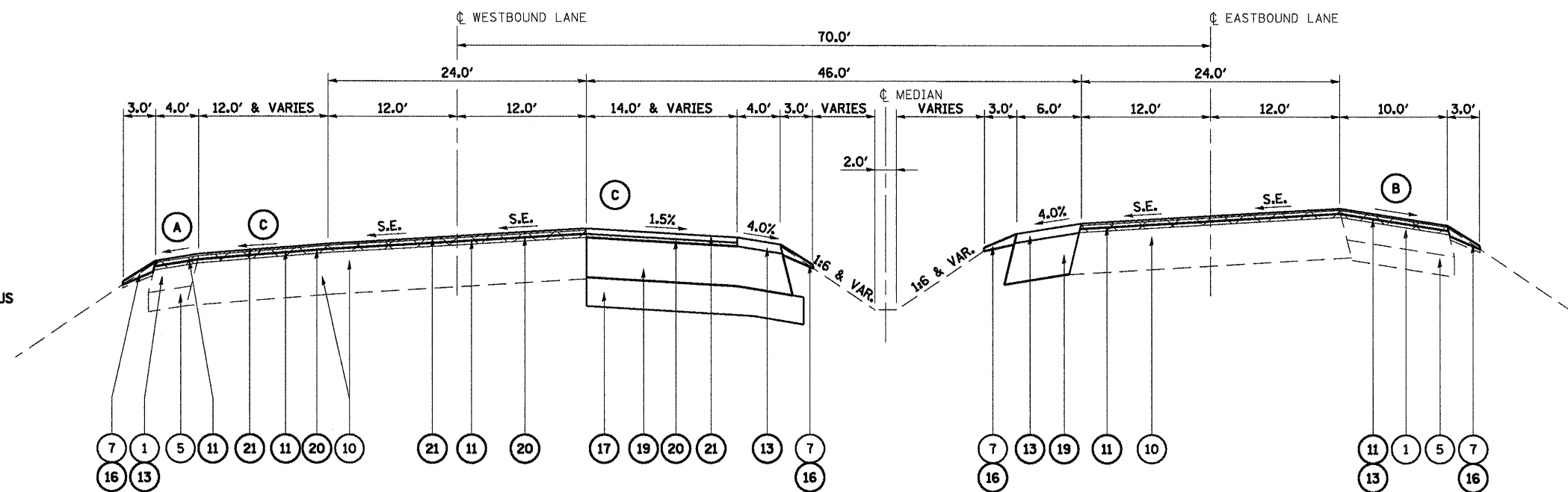
TURN LANE SLOPE FOR SUPERELEVATION

- (C) LOW SIDE: SLOPE SHALL BE SAME AS SUPERELEVATION.
- HIGH SIDE: SLOPE SO THAT THE ALGEBRAIC DIFFERENCE BETWEEN MAINLINE AND TURN LANE WILL NOT BE GREATER THAN 4.0%.

- (1) EXISTING HOT-MIX ASPHALT SHOULDERS
- (2) EXISTING HOT-MIX ASPHALT SHOULDERS WITH STD. 2438 RUMBLE STRIPS, CONTINUOUS
- (3) EXISTING PCC PAVEMENT (8")
- (4) EXISTING STABILIZED SUB-BASE (4")
- (5) EXISTING SUB-BASE GRANULAR MATERIAL, TY C
- (6) EXISTING CONCRETE CURB & GUTTER
- (6A) EXISTING CONCRETE CURB & GUTTER M-2.12 OR M-4.12
- (6B) EXISTING CONCRETE CURB & GUTTER M-2.24 OR M-4.24
- (7) EXISTING AGGREGATE SHOULDERS, TY B
- (8) EXISTING CONCRETE MEDIAN (4" OR 6")
- (9) EXISTING SOLID MEDIAN, STD. 2122
- (10) EXISTING BITUMINOUS CONCRETE PAVEMENT (FULL DEPTH), 13.5"
- (11) PROPOSED HOT-MIX ASPHALT SURFACE REMOVAL (2")
- (12) PROPOSED HOT-MIX ASPHALT SURFACE COURSE, POLYMER MIX "D", N70-2"
- (13) PROPOSED HOT-MIX ASPHALT SHOULDERS (2")
- (14) PROPOSED HOT-MIX ASPHALT SHOULDERS WITH STD. 2438 RUMBLE STRIPS, CONTINUOUS
- (15) PROPOSED PAVEMENT MARKING, LINE (5")
- (16) PROPOSED AGGREGATE SHOULDERS, TYPE B
- (17) PROPOSED SUB-BASE GRANULAR MATERIAL, TYPE A, 8"
- (18) PROPOSED COMBINED CONCRET E CURB & GUTTER, TYPE M 4.24
- (19) PROPOSED HOT-MIX ASPHALT BASE COURSE, 11"
- (20) PROPOSED LEVELING BINDER (MACHINE METHOD), 1" & VAR. DEPTH
- (21) PROPOSED HOT-MIX ASPHALT SURFACE COURSE, 1.5"
- (22) PROPOSED HOT-MIX ASPHALT SHOULDERS, 8"
- (23) PROPOSED SUB-BASE GRANULAR MATERIAL, TYPE B, VAR. DEPTH
- (24) PROPOSED CONCRETE MEDIAN SURFACE, 4"

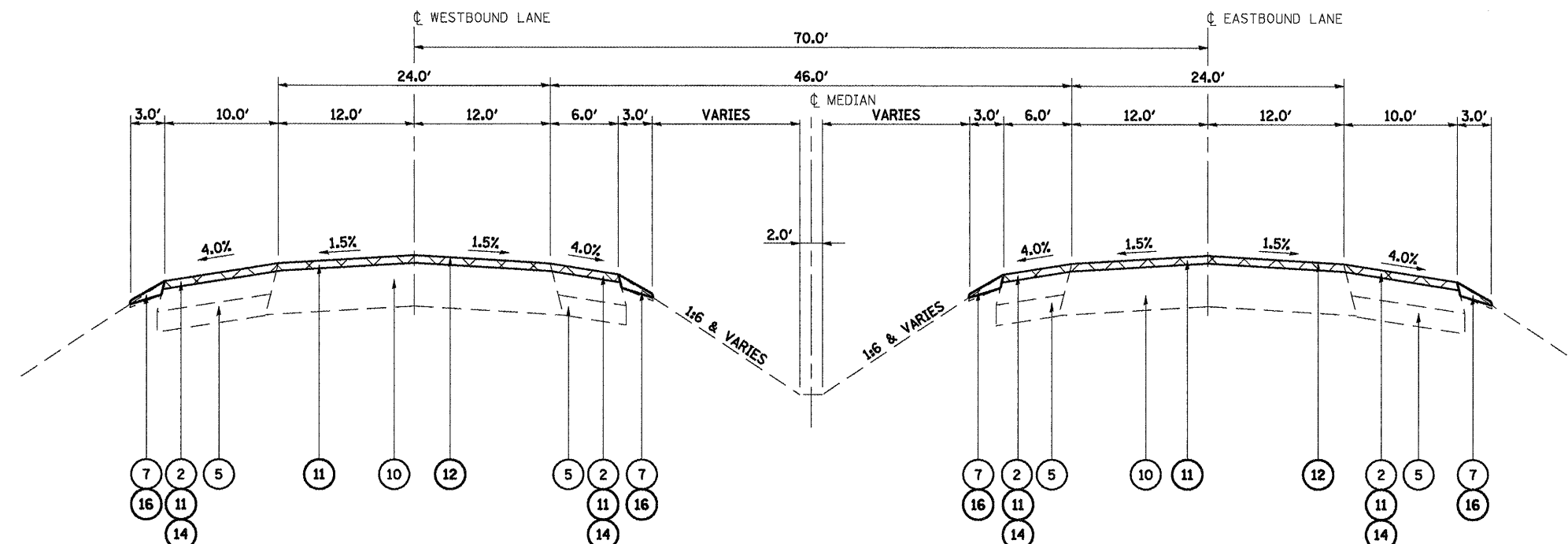


EXISTING TYPICAL SECTION WITH REMOVAL
SUPERELEVATION
STA. 203+81.32 - 207+20.02



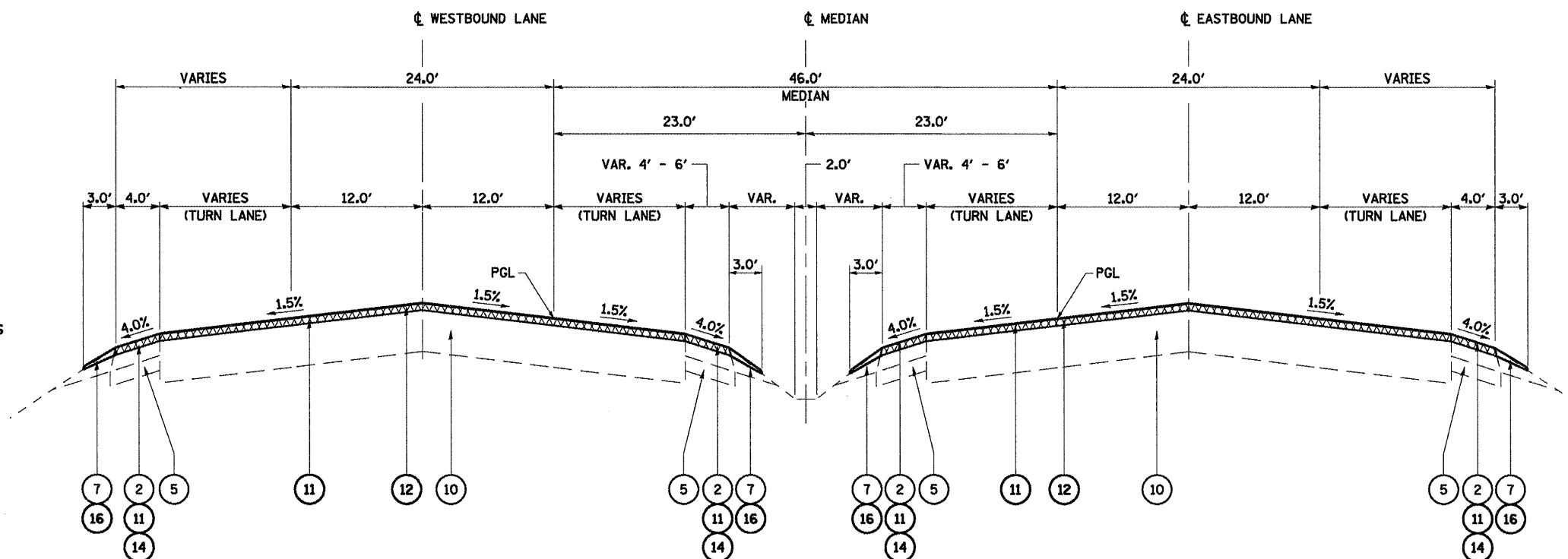
PROPOSED TYPICAL SECTION
SUPERELEVATION
STA. 203+81.32 - 207+20.02

FILE NAME =	USER NAME = laughl1nr1	DESIGNED -	REVISED -	STATE OF ILLINOIS DEPARTMENT OF TRANSPORTATION	TYPICAL SECTIONS, SECTION "B"			F.A.P. RTE.	SECTION	COUNTY	TOTAL SHEETS	SHEET NO.
at:\pwwork\PIWIDOT\LAUGHLINRL\dms47710\	572c35-ah-tr-typicals-veterans.dgn	DRAWN -	REVISED -		(IL 4), VETERANS PKWY			658		SANGAMON	206	53
	PLOT SCALE = 20.0000' / 1"	CHECKED -	REVISED -		SCALE:	SHEET NO. 6 OF 10 SHEETS	STA.	TO STA.	CONTRACT NO. 72C35			
	PLOT DATE = Apr-30-2010 11:15:27AM	DATE -	REVISED -		ILLINOIS FED. AID PROJECT							



STA. 207+20.02 - 215+40.00
 STA. 228+86.00 - 238+18.67

- 1 EXISTING HOT-MIX ASPHALT SHOULDERS
- 2 EXISTING HOT-MIX ASPHALT SHOULDERS WITH STD. 2438 RUMBLE STRIPS, CONTINUOUS
- 3 EXISTING PCC PAVEMENT (8")
- 4 EXISTING STABILIZED SUB-BASE (4")
- 5 EXISTING SUB-BASE GRANULAR MATERIAL, TY C
- 6 EXISTING CONCRETE CURB & GUTTER
- 6A EXISTING CONCRETE CURB & GUTTER M-2.12 OR M-4.12
- 6B EXISTING CONCRETE CURB & GUTTER M-2.24 OR M-4.24
- 7 EXISTING AGGREGATE SHOULDERS, TY B
- 8 EXISTING CONCRETE MEDIAN (4" OR 6")
- 9 EXISTING SOLID MEDIAN, STD. 2122
- 10 EXISTING BITUMINOUS CONCRETE PAVEMENT (FULL DEPTH), 13.5"
- 11 PROPOSED HOT-MIX ASPHALT SURFACE REMOVAL (2")
- 12 PROPOSED HOT-MIX ASPHALT SURFACE COURSE, POLYMER MIX "D", N70-2"
- 13 PROPOSED HOT-MIX ASPHALT SHOULDERS (2")
- 14 PROPOSED HOT-MIX ASPHALT SHOULDERS WITH STD. 2438 RUMBLE STRIPS, CONTINUOUS
- 15 PROPOSED PAVEMENT MARKING, LINE (5")
- 16 PROPOSED AGGREGATE SHOULDERS, TYPE B
- 17 PROPOSED SUB-BASE GRANULAR MATERIAL, TYPE A, 8"
- 18 PROPOSED COMBINED CONCRET E CURB & GUTTER, TYPE M 4.24
- 19 PROPOSED HOT-MIX ASPHALT BASE COURSE, 11"
- 20 PROPOSED LEVELING BINDER (MACHINE METHOD), 1" & VAR. DEPTH
- 21 PROPOSED HOT-MIX ASPHALT SURFACE COURSE, 1.5"
- 22 PROPOSED HOT-MIX ASPHALT SHOULDERS, 8"
- 23 PROPOSED SUB-BASE GRANULAR MATERIAL, TYPE B, VAR. DEPTH
- 24 PROPOSED CONCRETE MEDIAN SURFACE, 4"



TURN LANES
 STA. 215+40.00 - 219+66.09
 STA. 224+56.49 - 228+89.45

FILE NAME =	USER NAME = laughlinr1	DESIGNED -	REVISED -
ei:\paw\work\PMWIDOT\LAUGHLINR1\dms47710\672e35-ab\typicals-veterans.dgn		DRAWN -	REVISED -
		CHECKED -	REVISED -
		DATE -	REVISED -

**STATE OF ILLINOIS
 DEPARTMENT OF TRANSPORTATION**

**TYPICAL SECTIONS, SECTION "B"
 (IL 4), VETERANS PKWY**

SCALE: SHEET NO. 7 OF 10 SHEETS STA. TO STA.

F.A.P. RTE. 658	SECTION *	COUNTY SANGAMON	TOTAL SHEETS 206	SHEET NO. 54
ILLINOIS FED. AID PROJECT			CONTRACT NO. 72C35	

NOTES:

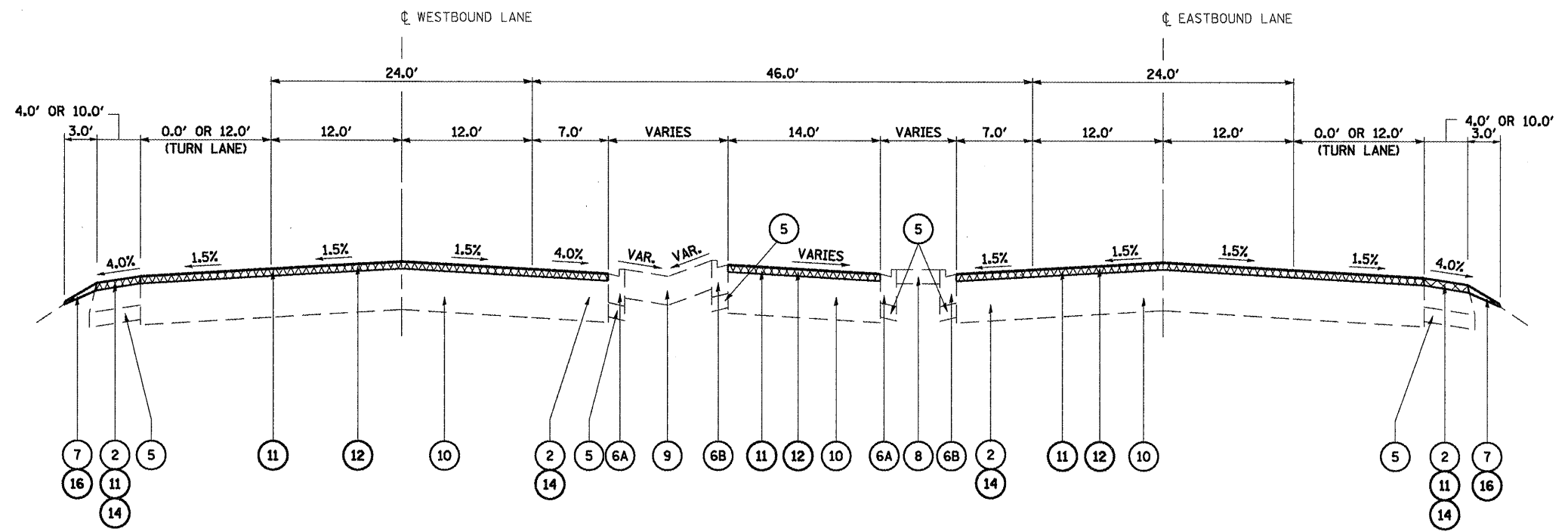
SHOULDER SLOPE FOR SUPERELEVATION

- (A) LOW SIDE: SLOPE SHALL BE SAME AS SUPERELEVATION, BUT NOT LESS THAN 4.0%.
- (B) HIGH SIDE: WHEN SUPERELEVATION IS BETWEEN 0% AND 4%, SLOPE SHOULDER @ 4.0%. WHEN SUPERELEVATION EXCEEDS 4.0%, THE SHOULDER SHALL BE SLOPED SO THAT THE ALGEBRAIC DIFFERENCE BETWEEN PAVEMENT AND SHOULDER WILL NOT BE GREATER THAN 8.0%.

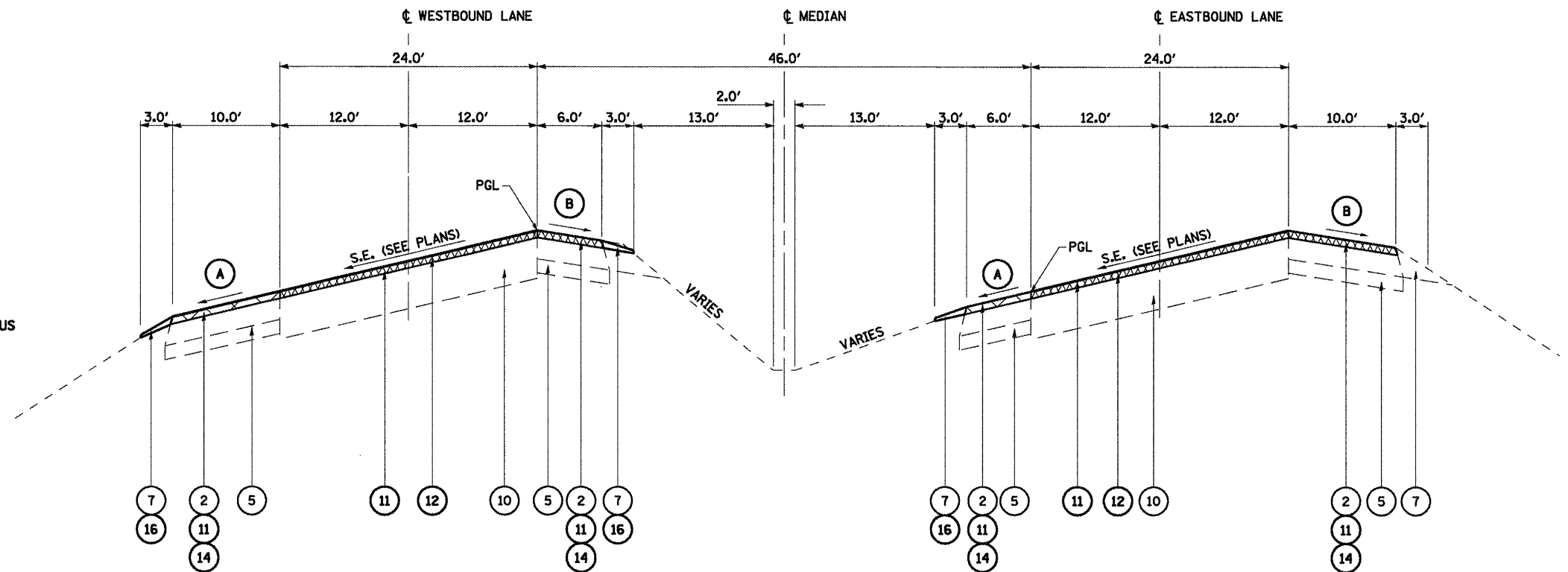
TURN LANE SLOPE FOR SUPERELEVATION

- (C) LOW SIDE: SLOPE SHALL BE SAME AS SUPERELEVATION.
- HIGH SIDE: SLOPE SO THAT THE ALGEBRAIC DIFFERENCE BETWEEN MAINLINE AND TURN LANE WILL NOT BE GREATER THAN 4.0%.

- (1) EXISTING HOT-MIX ASPHALT SHOULDERS
- (2) EXISTING HOT-MIX ASPHALT SHOULDERS WITH STD. 2438 RUMBLE STRIPS, CONTINUOUS
- (3) EXISTING PCC PAVEMENT (8")
- (4) EXISTING STABILIZED SUB-BASE (4")
- (5) EXISTING SUB-BASE GRANULAR MATERIAL, TY C
- (6) EXISTING CONCRETE CURB & GUTTER
- (6A) EXISTING CONCRETE CURB & GUTTER M-2.12 OR M-4.12
- (6B) EXISTING CONCRETE CURB & GUTTER M-2.24 OR M-4.24
- (7) EXISTING AGGREGATE SHOULDERS, TY B
- (8) EXISTING CONCRETE MEDIAN (4" OR 6")
- (9) EXISTING SOLID MEDIAN, STD. 2122
- (10) EXISTING BITUMINOUS CONCRETE PAVEMENT (FULL DEPTH), 13.5"
- (11) PROPOSED HOT-MIX ASPHALT SURFACE REMOVAL (2")
- (12) PROPOSED HOT-MIX ASPHALT SURFACE COURSE, POLYMER MIX "D", N70-2"
- (13) PROPOSED HOT-MIX ASPHALT SHOULDERS (2")
- (14) PROPOSED HOT-MIX ASPHALT SHOULDERS WITH STD. 2438 RUMBLE STRIPS, CONTINUOUS
- (15) PROPOSED PAVEMENT MARKING, LINE (5")
- (16) PROPOSED AGGREGATE SHOULDERS, TYPE B
- (17) PROPOSED SUB-BASE GRANULAR MATERIAL, TYPE A, 8"
- (18) PROPOSED COMBINED CONCRET E CURB & GUTTER, TYPE M 4.24
- (19) PROPOSED HOT-MIX ASPHALT BASE COURSE, 11"
- (20) PROPOSED LEVELING BINDER (MACHINE METHOD), 1" & VAR. DEPTH
- (21) PROPOSED HOT-MIX ASPHALT SURFACE COURSE, 1.5"
- (22) PROPOSED HOT-MIX ASPHALT SHOULDERS, 8"
- (23) PROPOSED SUB-BASE GRANULAR MATERIAL, TYPE B, VAR. DEPTH
- (24) PROPOSED CONCRETE MEDIAN SURFACE, 4"



STA. 219+66.09 - 224+56.49



SUPERELEVATION
 STA. 202+77.90 - 215+54.36
 STA. 217+81.84 - 231+21.84
 STA. 243+54.00 - 251+75.00

FILE NAME =	USER NAME = laughlinr1	DESIGNED -	REVISED -	STATE OF ILLINOIS DEPARTMENT OF TRANSPORTATION	TYPICAL SECTIONS, SECTION "B"		F.A.P. RTE.	SECTION	COUNTY	TOTAL SHEETS	SHEET NO.
61\pwwork\pwwdot\LAUGHLINR1\dms47710\dms4771035-shr-typical-sections-veterans.dgn		DRAWN -	REVISED -		(IL 4), VETERANS PKWY		658		SANGAMON	206	55
		CHECKED -	REVISED -		SCALE:	SHEET NO. 8 OF 10 SHEETS	STA.	TO STA.	CONTRACT NO. 72C35		
		DATE -	REVISED -		ILLINOIS FED. AID PROJECT						

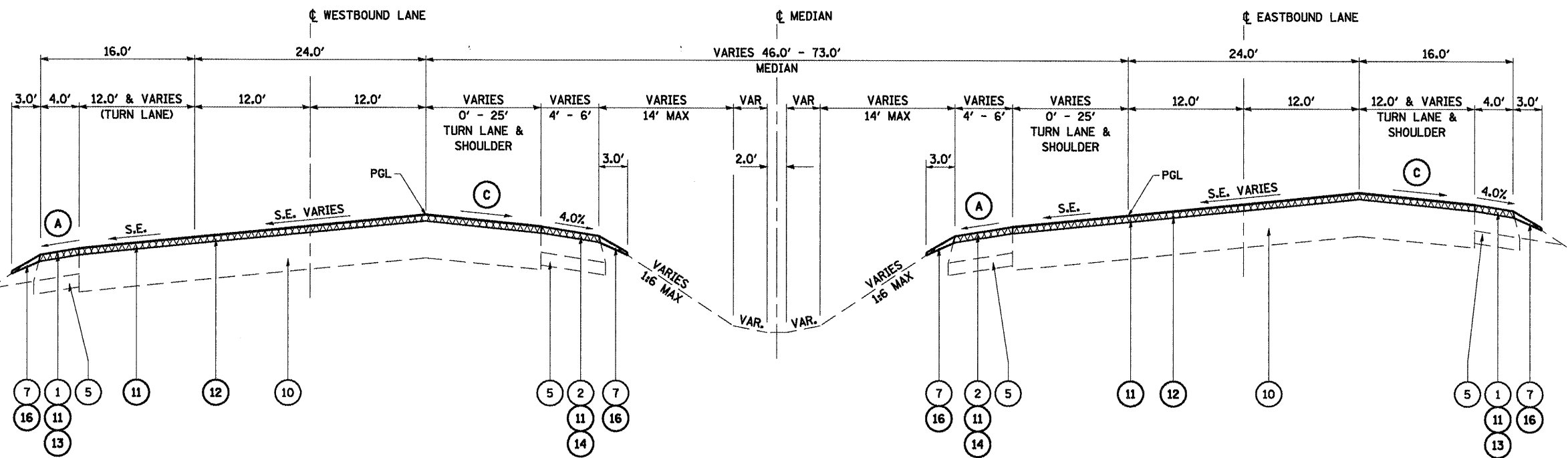
NOTES:

SHOULDER SLOPE FOR SUPERELEVATION

- (A) LOW SIDE: SLOPE SHALL BE SAME AS SUPERELEVATION, BUT NOT LESS THAN 4.0%.
- (B) HIGH SIDE: WHEN SUPERELEVATION IS BETWEEN 0% AND 4%, SLOPE SHOULDER @ 4.0%. WHEN SUPERELEVATION EXCEEDS 4.0%, THE SHOULDER SHALL BE SLOPED SO THAT THE ALGEBRAIC DIFFERENCE BETWEEN PAVEMENT AND SHOULDER WILL NOT BE GREATER THAN 8.0%.

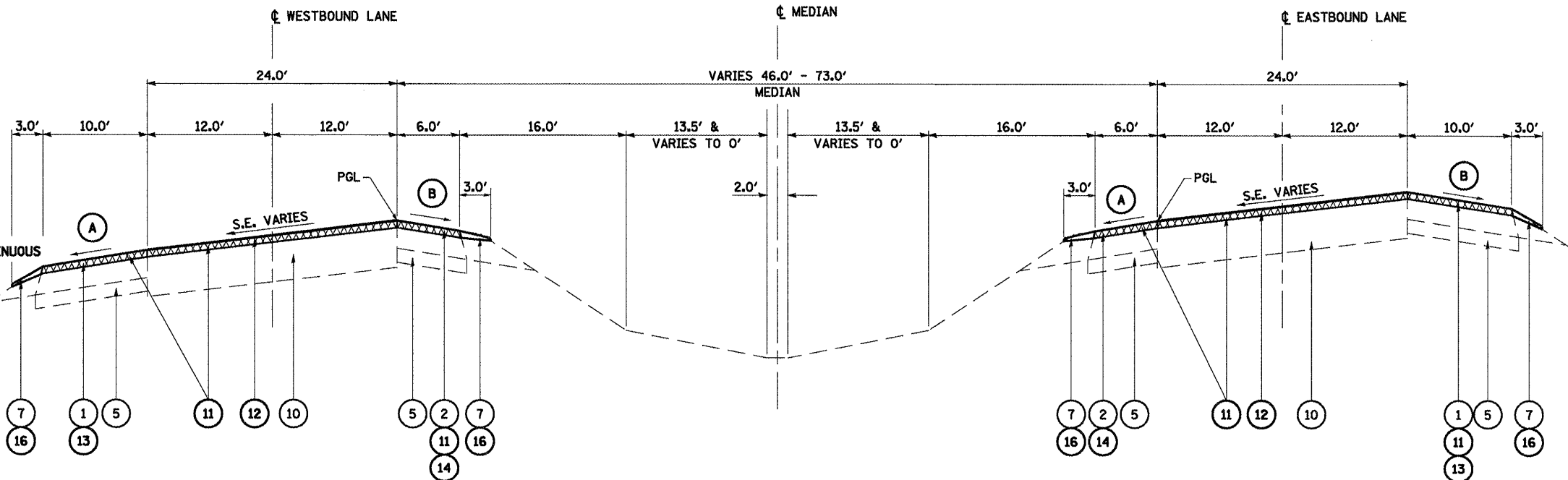
TURN LANE SLOPE FOR SUPERELEVATION

- (C) LOW SIDE: SLOPE SHALL BE SAME AS SUPERELEVATION.



RIGHT & LEFT LANES
 STA. 257+22.60 - 261+55.48
 STA. 265+98.64 - 270+27.21
 STA. 491+98.51 - 494+93.49 (NBL)
 STA. 391+83.78 - 394+68.75 (SBL)

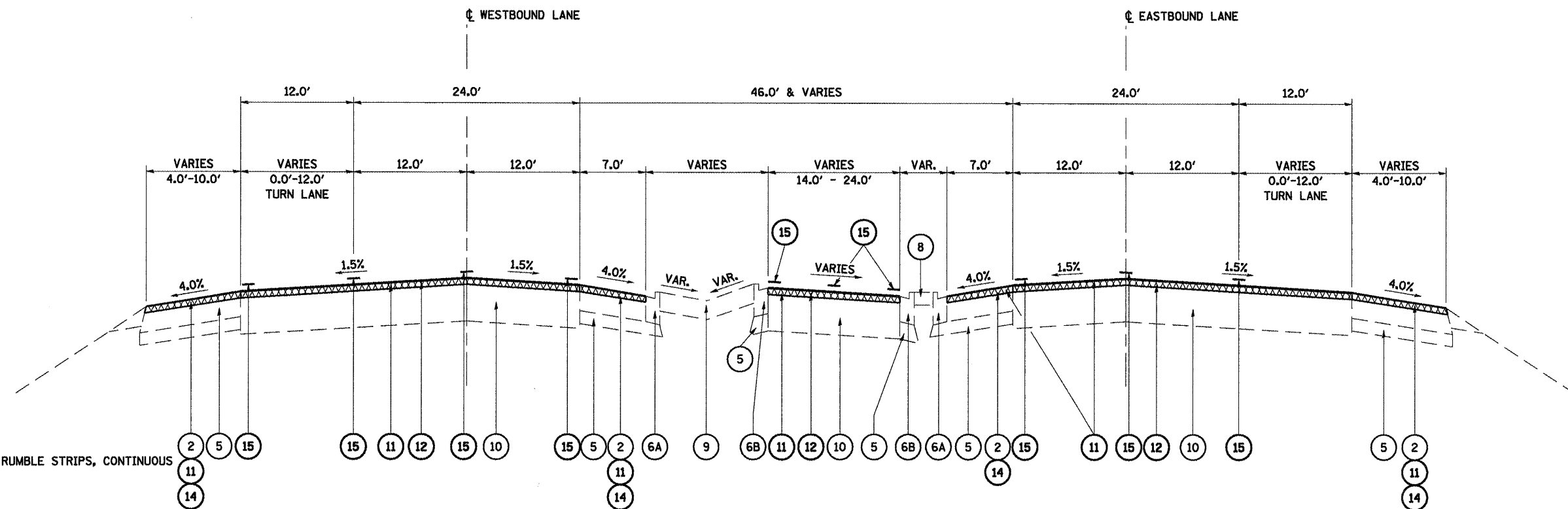
- (1) EXISTING HOT-MIX ASPHALT SHOULDERS
- (2) EXISTING HOT-MIX ASPHALT SHOULDERS WITH STD. 2438 RUMBLE STRIPS, CONTINUOUS
- (3) EXISTING PCC PAVEMENT (8")
- (4) EXISTING STABILIZED SUB-BASE (4")
- (5) EXISTING SUB-BASE GRANULAR MATERIAL, TY C
- (6) EXISTING CONCRETE CURB & GUTTER
- (6A) EXISTING CONCRETE CURB & GUTTER M-2.12 OR M-4.12
- (6B) EXISTING CONCRETE CURB & GUTTER M-2.24 OR M-4.24
- (7) EXISTING AGGREGATE SHOULDERS, TY B
- (8) EXISTING CONCRETE MEDIAN (4" OR 6")
- (9) EXISTING SOLID MEDIAN, STD. 2122
- (10) EXISTING BITUMINOUS CONCRETE PAVEMENT (FULL DEPTH), 13.5"
- (11) PROPOSED HOT-MIX ASPHALT SURFACE REMOVAL (2")
- (12) PROPOSED HOT-MIX ASPHALT SURFACE COURSE, POLYMER MIX "D", N70-2"
- (13) PROPOSED HOT-MIX ASPHALT SHOULDERS (2")
- (14) PROPOSED HOT-MIX ASPHALT SHOULDERS WITH STD. 2438 RUMBLE STRIPS, CONTINUOUS
- (15) PROPOSED PAVEMENT MARKING, LINE (5")
- (16) PROPOSED AGGREGATE SHOULDERS, TYPE B
- (17) PROPOSED SUB-BASE GRANULAR MATERIAL, TYPE A, 8"
- (18) PROPOSED COMBINED CONCRET E CURB & GUTTER, TYPE M 4.24
- (19) PROPOSED HOT-MIX ASPHALT BASE COURSE, 11"
- (20) PROPOSED LEVELING BINDER (MACHINE METHOD), 1" & VAR. DEPTH
- (21) PROPOSED HOT-MIX ASPHALT SURFACE COURSE, 1.5"
- (22) PROPOSED HOT-MIX ASPHALT SHOULDERS, 8"
- (23) PROPOSED SUB-BASE GRANULAR MATERIAL, TYPE B, VAR. DEPTH
- (24) PROPOSED CONCRETE MEDIAN SURFACE, 4"



SUPERELEVATION & SUPERELEVATION TRANSITION
 STA. 253+50.00 - 257+22.60
 STA. 270+27.21 - 280+20.75
 STA. 384+81.97 - 391+83.78 (SBL)
 STA. 486+41.00 - 491+98.51 (NBL)

STATION EQUATION:
 STA. 255+48.03 (BK) = STA. 255+42.57 (AH)

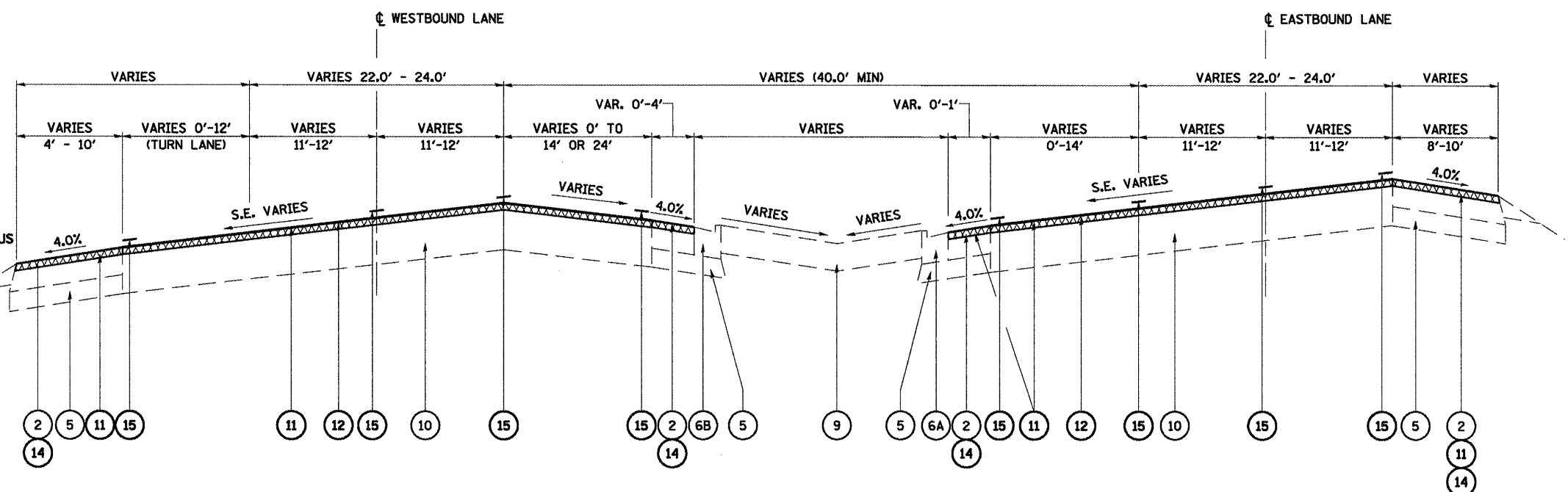
FILE NAME =	USER NAME = laughlinr1	DESIGNED -	REVISED -	STATE OF ILLINOIS DEPARTMENT OF TRANSPORTATION	TYPICAL SECTIONS, SECTION "B" (IL 4), VETERANS PKWY		F.A.P. RTE. =	SECTION	COUNTY	TOTAL SHEETS	SHEET NO.
er:\pw\work\VPWIDOT\LAUGHLINR1\dms4710\c	572e35-sh-t-typicals-veterans.dgn	DRAWN -	REVISED -		658	.	SANGAMON	206	56		
PLOT SCALE = 20.0000 ' / IN.		CHECKED -	REVISED -		SCALE: SHEET NO. 9 OF 10 SHEETS STA. TO STA.		CONTRACT NO. 72C35		ILLINOIS FED. AID PROJECT		
PLOT DATE = Apr-30-2010 11:23:26AM		DATE -	REVISED -								



BURIED LEFT TURN LANE
 STA. 261+55.48 - 265+98.64
 STA. 494+93.49 - 500+86.41 (EBL) - IL 4/BL-55
 STA. 394+68.75 - 400+39.41 (WBL) - IL 4/BL-55

- 1 EXISTING HOT-MIX ASPHALT SHOULDERS
- 2 EXISTING HOT-MIX ASPHALT SHOULDERS WITH STD. 2438 RUMBLE STRIPS, CONTINUOUS
- 3 EXISTING PCC PAVEMENT (8")
- 4 EXISTING STABILIZED SUB-BASE (4")
- 5 EXISTING SUB-BASE GRANULAR MATERIAL, TY C
- 6 EXISTING CONCRETE CURB & GUTTER
- 6A EXISTING CONCRETE CURB & GUTTER M-2.12 OR M-4.12
- 6B EXISTING CONCRETE CURB & GUTTER M-2.24 OR M-4.24
- 7 EXISTING AGGREGATE SHOULDERS, TY B
- 8 EXISTING CONCRETE MEDIAN (4" OR 6")
- 9 EXISTING SOLID MEDIAN, STD. 2122

- 10 EXISTING BITUMINOUS CONCRETE PAVEMENT (FULL DEPTH), 13.5"
- 11 PROPOSED HOT-MIX ASPHALT SURFACE REMOVAL (2")
- 12 PROPOSED HOT-MIX ASPHALT SURFACE COURSE, POLYMER MIX "D", N70-2"
- 13 PROPOSED HOT-MIX ASPHALT SHOULDERS (2")
- 14 PROPOSED HOT-MIX ASPHALT SHOULDERS WITH STD. 2438 RUMBLE STRIPS, CONTINUOUS
- 15 PROPOSED PAVEMENT MARKING, LINE (5")
- 16 PROPOSED AGGREGATE SHOULDERS, TYPE B
- 17 PROPOSED SUB-BASE GRANULAR MATERIAL, TYPE A, 8"
- 18 PROPOSED COMBINED CONCRET E CURB & GUTTER, TYPE M 4.24
- 19 PROPOSED HOT-MIX ASPHALT BASE COURSE, 11"
- 20 PROPOSED LEVELING BINDER (MACHINE METHOD), 1" & VAR. DEPTH
- 21 PROPOSED HOT-MIX ASPHALT SURFACE COURSE, 1.5"
- 22 PROPOSED HOT-MIX ASPHALT SHOULDERS, 8"
- 23 PROPOSED SUB-BASE GRANULAR MATERIAL, TYPE B, VAR. DEPTH
- 24 PROPOSED CONCRETE MEDIAN SURFACE, 4"



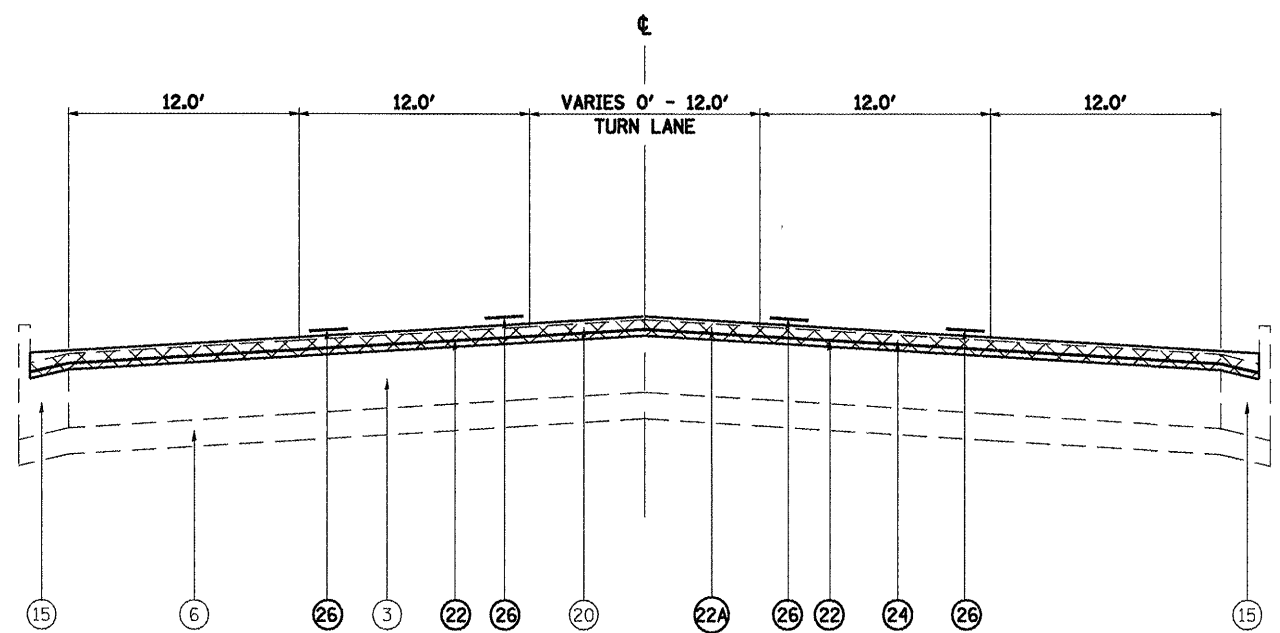
BL-55 (PEORIA RD.)
 SOLID MEDIAN
 STA. 400+39.41 - 412+27.26 (WBL)
 STA. 500+86.41 - 512+84.00 (EBL)

FILE NAME =	USER NAME = laughlinr1	DESIGNED -	REVISED -
ce:\pwwork\KIPWIDOT\LAUGHLINRL\dms47718\672c35-shtr-typicals-veterans.dgn		DRAWN -	REVISED -
PLOT SCALE = 20.0000' / IN.		CHECKED -	REVISED -
PLOT DATE = Apr-30-2010 11:23:29AM		DATE -	REVISED -

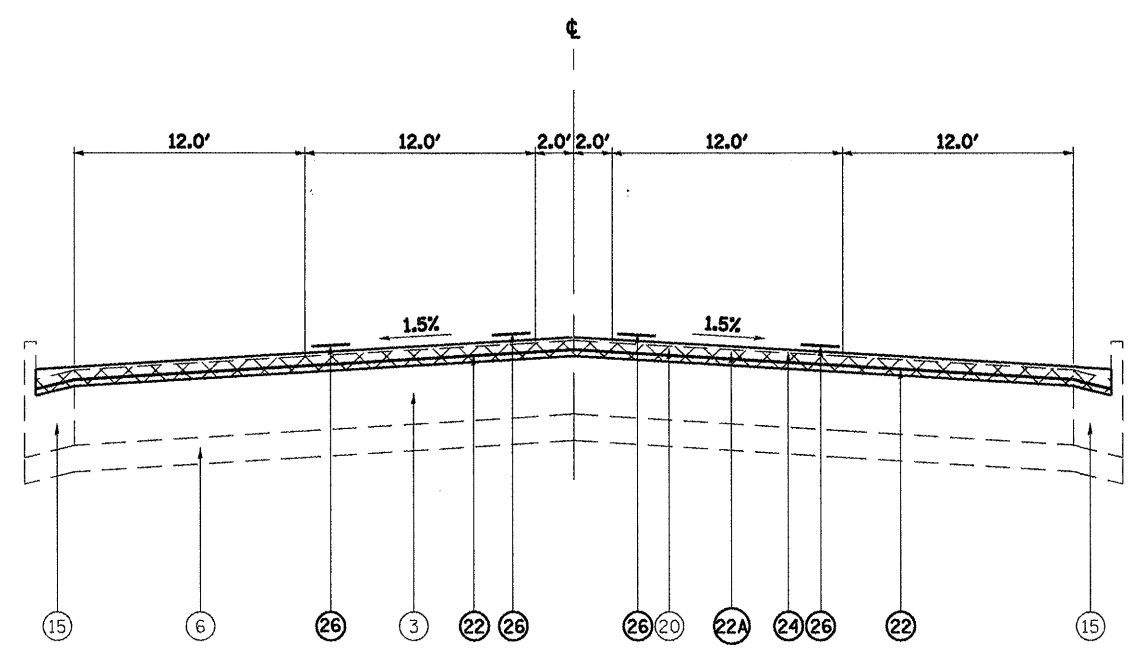
STATE OF ILLINOIS
 DEPARTMENT OF TRANSPORTATION

TYPICAL SECTIONS	
SECTION "B" & SECTION "C"	
SCALE:	SHEET NO. 10 OF 10 SHEETS
STA.	TO STA.

F.A.P. RTE. 658	SECTION	COUNTY SANGAMON	TOTAL SHEETS 206	SHEET NO. 57
CONTRACT NO. 72C35			ILLINOIS FED. AID PROJECT	



STA. 52+40.00 - 52+55.00



STA. 52+55.00 - 78+45.12

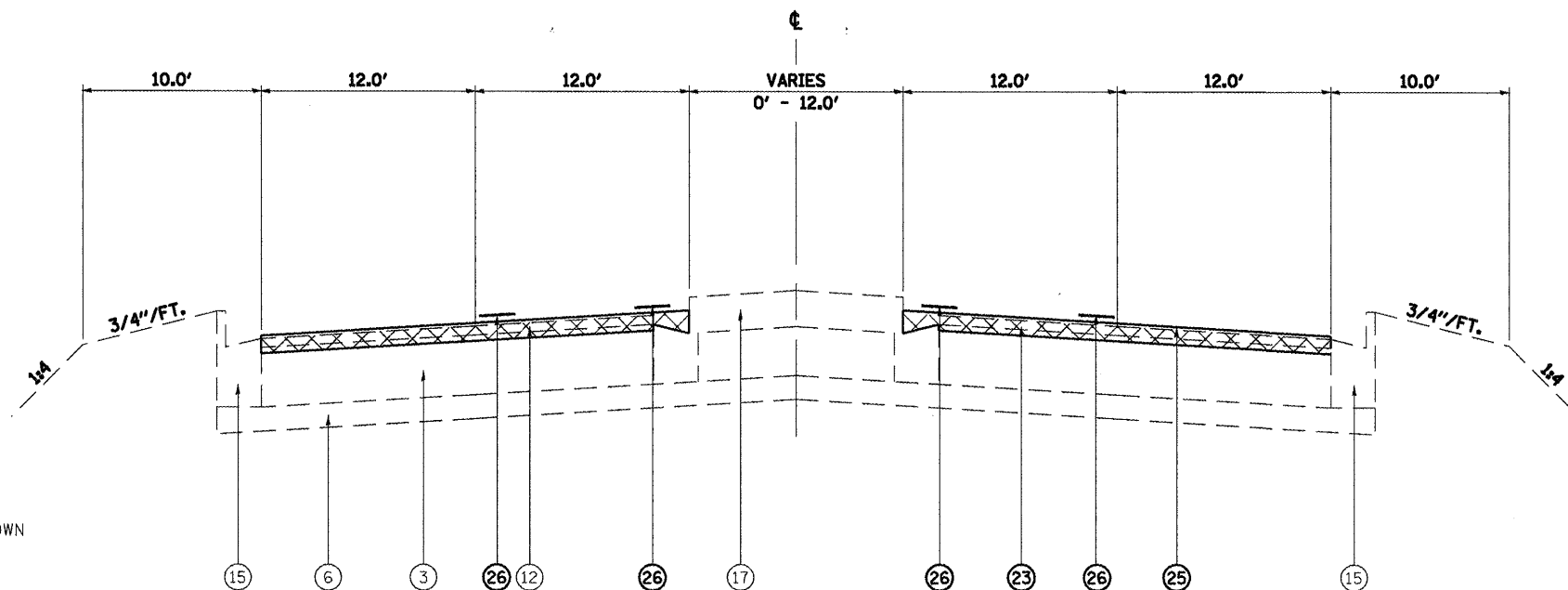
LEGEND

- ① EXISTING CONCRETE BASE COURSE FOR BRICK FOUNDATION, DEPTH UNKNOWN
- ② EXISTING PCC BASE COURSE (9")
- ③ EXISTING PCC BASE COURSE (10")
- ④ EXISTING CONCRETE BASE COURSE FOR TROLLEY CAR RAIL BED, DEPTH UNKNON
- ⑤ EXISTING STABILIZED SUB-BASE (4")
- ⑥ EXISTING SUB-BASE GRANULAR MATERIAL (4")
- ⑦ EXISTING SUB-BASE GRANULAR MATERIAL, TY A (12")
- ⑧ EXISTING LEVELING BINDER (MACHINE METHOD), (1")
- ⑨ EXISTING BRICK PAVEMENT
- ⑩ EXISTING PCC PAVEMENT (10")
- ⑪ EXISTING HOT-MIX ASPHALT BASE OR P.C.C. PAVEMENT*
- ⑫ EXISTING HOT-MIX ASPHALT CONCRETE SURFACE
- ⑬ EXISTING HOT-MIX ASPHALT CONCRETE PAVEMENT (FULL DEPTH). TYPE 1, 13 1/2" (11 1/2" BINDER MIXTURE B, TYPE 1; 2" SURFACE, MIXTURE D, CLASS 1, TYPE 1
- ⑭ EXISTING TOP SOIL (4")
- ⑮ EXISTING COMBINATION CONCRETE CURB & GUTTER, TY B-6.24
- ⑯ EXISTING COMBINATION CONCRETE CURB & GUTTER, TY B-15.60
- ⑰ EXISTING CONCRETE MEDIAN, TY C4
- ⑱ EXISTING CONCRETE MEDIAN (4")
- ⑲ EXISTING CORRUGATED CONCRETE MEDIAN
- ⑳ EXISTING HOT-MIX ASPHALT CONCRETE SURFACE COURSE, (1 1/2")
- ㉑ EXISTING AREA REFLECTIVE CRACK CONTROL TREATMENT
- ㉒ PROPOSED LEVELING BINDER (1")
- ㉒A PROPOSED HOT-MIX ASPHALT SURFACE REMOVAL (2 1/2")
- ㉓ PROPOSED HOT-MIX ASPHALT SURFACE REMOVAL (2")
- ㉔ PROPOSED HOT-MIX ASPHALT SURFACE COURSE, MIX D, N70 (1 1/2")
- ㉕ PROPOSED POLYMER HOT-MIX ASPHALT SURFACE COURSE, MIX D, N70 (2")
- ㉖ PROPOSED PAVEMENT MARKING, LINE (5")

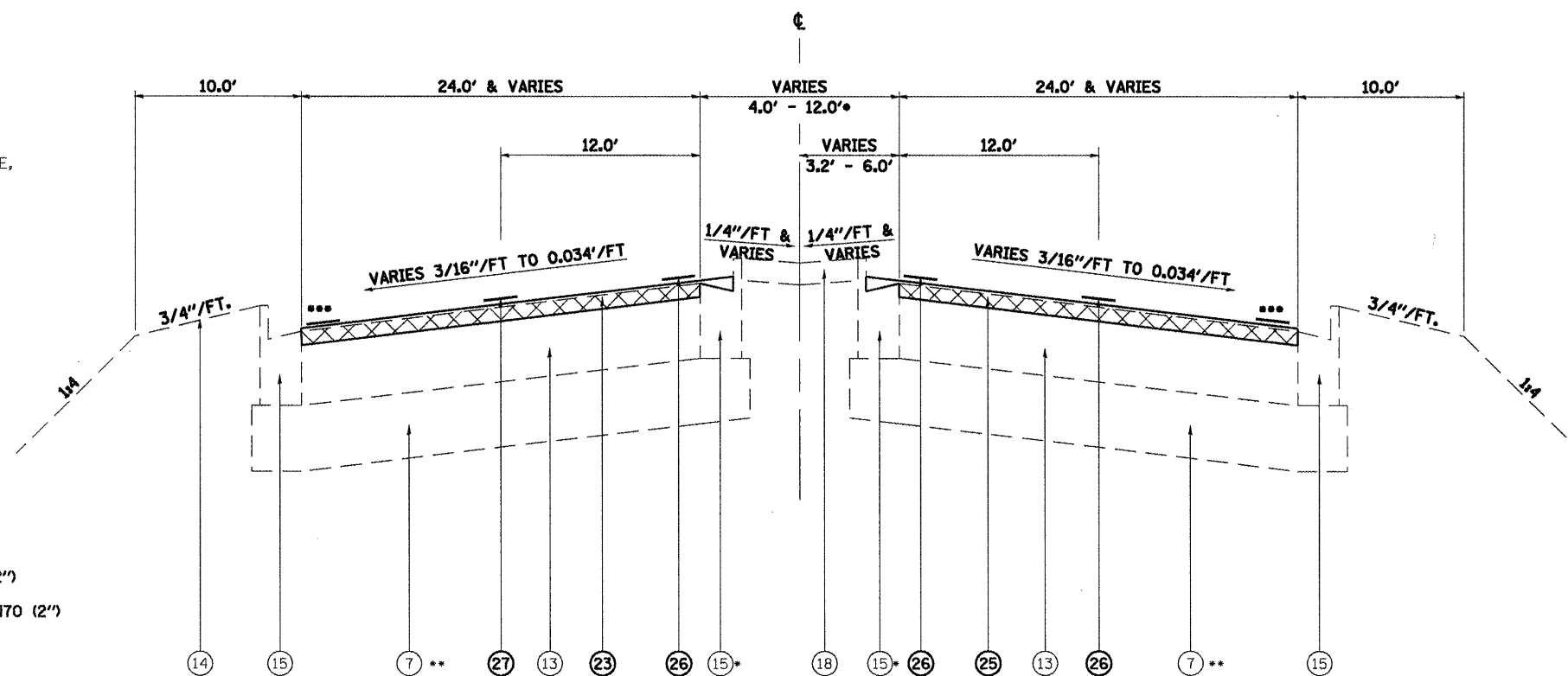
STATION EQUATION:
STA. 78+45.12 (BK) = 1+56.70 (AH)

FILE NAME =	USER NAME = loughlinc1	DESIGNED -	REVISED -	STATE OF ILLINOIS DEPARTMENT OF TRANSPORTATION	TYPICAL SECTIONS SECTION "C" (I 55 - PEORIA RD)	F.A.P. RTE. =	SECTION =	COUNTY =	TOTAL SHEETS =	SHEET NO. =	
es:\pwwork\pwwid\LAUGHLIN\RL\dms47710\72C35-ahs-typicals-I55-PeoriaRd.dgn	PLOT SCALE = 10.0000' / IN.	DRAWN -	REVISED -			658	*	SANGAMON	206	58	
		CHECKED -	REVISED -			SCALE:		SHEET NO. 1 OF 3 SHEETS		STA. TO STA.	ILLINOIS FED. AID PROJECT
	PLOT DATE = Apr-30-2010 11:23:34AM	DATE -	REVISED -								

* 1-1(RS,TS-1)27RS-6;79Z&102RS-4

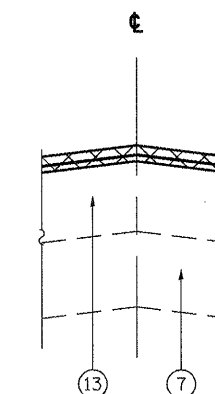


STA. 14+50.00 - 15+17.25



STA. 144+00.00 - 156+02.51

STATION EQUATION:
STA. 15+17.25 (BK) = 144+00.00 (AH)



• STA. 145+60 - 151+29.00
PAVEMENT REPLACES
CURB & GUTTER

LEGEND

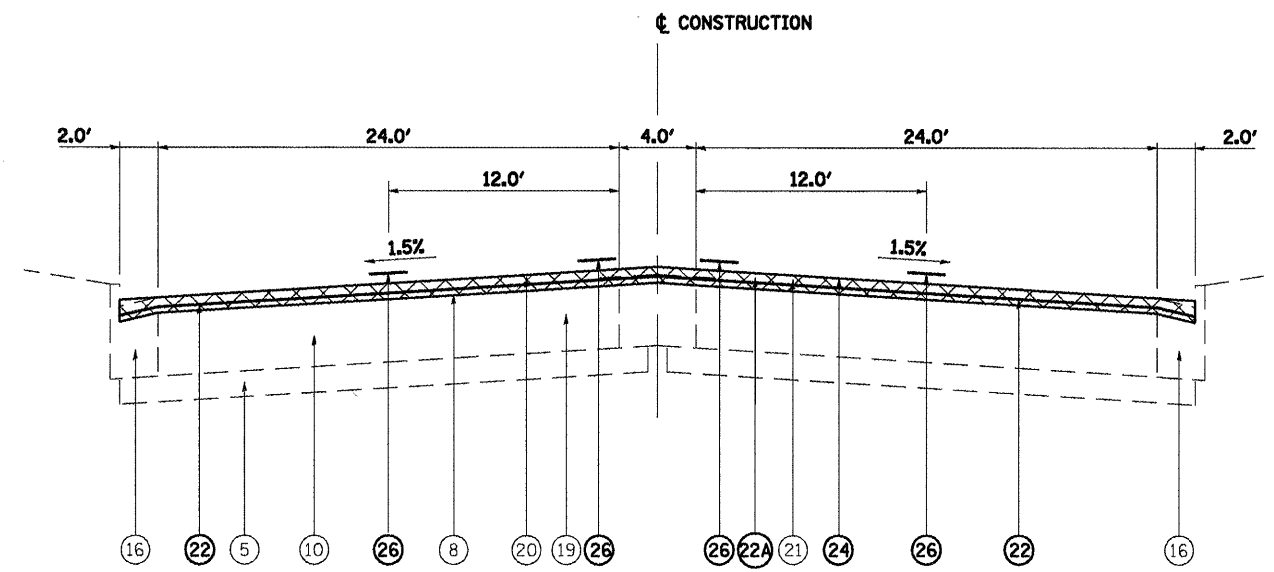
- ① EXISTING CONCRETE BASE COURSE FOR BRICK FOUNDATION, DEPTH UNKNOWN
- ② EXISTING PCC BASE COURSE (9")
- ③ EXISTING PCC BASE COURSE (10")
- ④ EXISTING CONCRETE BASE COURSE FOR TROLLEY CAR RAIL BED, DEPTH UNKNON
- ⑤ EXISTING STABILIZED SUB-BASE (4")
- ⑥ EXISTING SUB-BASE GRANULAR MATERIAL (4")
- ⑦ EXISTING SUB-BASE GRANULAR MATERIAL, TY A (12")
- ⑧ EXISTING LEVELING BINDER (MACHINE METHOD), (1")
- ⑨ EXISTING BRICK PAVEMENT
- ⑩ EXISTING PCC PAVEMENT (10")
- ⑪ EXISTING HOT-MIX ASPHALT BASE OR P.C.C. PAVEMENT*
- ⑫ EXISTING HOT-MIX ASPHALT CONCRETE SURFACE
- ⑬ EXISTING HOT-MIX ASPHALT CONCRETE PAVEMENT (FULL DEPTH). TYPE 1, 13 1/2" (11 1/2" BINDER MIXTURE B, TYPE 1; 2" SURFACE, MIXTURE D, CLASS I, TYPE 1
- ⑭ EXISTING TOP SOIL (4")
- ⑮ EXISTING COMBINATION CONCRETE CURB & GUTTER, TY B-6.24
- ⑯ EXISTING COMBINATION CONCRETE CURB & GUTTER, TY B-15.60
- ⑰ EXISTING CONCRETE MEDIAN, TY C4
- ⑱ EXISTING CONCRETE MEDIAN (4")
- ⑲ EXISTING CORRUGATED CONCRETE MEDIAN
- ⑳ EXISTING HOT-MIX ASPHALT CONCRETE SURFACE COURSE, (1 1/2")
- ㉑ EXISTING AREA REFLECTIVE CRACK CONTROL TREATMENT
- ㉒ PROPOSED LEVELING BINDER (1")
- ㉒A PROPOSED HOT-MIX ASPHALT SURFACE REMOVAL (2 1/2")
- ㉓ PROPOSED HOT-MIX ASPHALT SURFACE REMOVAL (2")
- ㉔ PROPOSED HOT-MIX ASPHALT SURFACE COURSE, MIX D, N70 (1 1/2")
- ㉕ PROPOSED POLYMER HOT-MIX ASPHALT SURFACE COURSE, MIX D, N70 (2")
- ㉖ PROPOSED PAVEMENT MARKING, LINE (5")

*** EDGELINE STRIPING BEGINS STA. 151+00.00

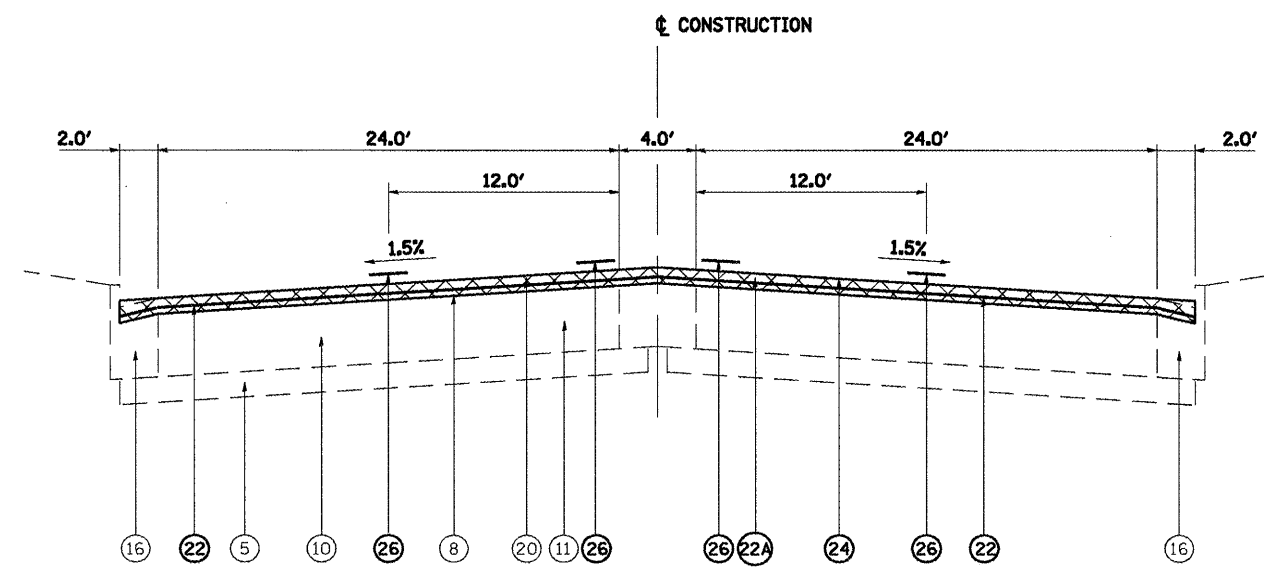
FILE NAME =	USER NAME = laughlinr1	DESIGNED -	REVISED -	STATE OF ILLINOIS DEPARTMENT OF TRANSPORTATION	TYPICAL SECTIONS SECTION "C" (I 55 - PEORIA RD)		F.A.P. RTE. =	SECTION =	COUNTY =	TOTAL SHEETS =	SHEET NO. =	
en:\pwwork\pwwid\DOT\LAUGHLIN\RL\dms47710\272C35-shr\typical-155_PeoriaRd.dgn		DRAWN -	REVISED -		SCALE:	SHEET NO. 2 OF 3 SHEETS	STA. TO STA.	658	*	SANGAMON	206	59
		PLOT SCALE = 1/8"=1'-0"	REVISED -									
		PLOT DATE = May-03-2018 11:28:48AM	REVISED -									

LEGEND

- ① EXISTING CONCRETE BASE COURSE FOR BRICK FOUNDATION, DEPTH UNKNOWN
- ② EXISTING PCC BASE COURSE (9")
- ③ EXISTING PCC BASE COURSE (10")
- ④ EXISTING CONCRETE BASE COURSE FOR TROLLEY CAR RAIL BED, DEPTH UNKNON
- ⑤ EXISTING STABILIZED SUB-BASE (4")
- ⑥ EXISTING SUB-BASE GRANULAR MATERIAL (4")
- ⑦ EXISTING SUB-BASE GRANULAR MATERIAL, TY A (12")
- ⑧ EXISTING LEVELING BINDER (MACHINE METHOD), (1")
- ⑨ EXISTING BRICK PAVEMENT
- ⑩ EXISTING PCC PAVEMENT (10")
- ⑪ EXISTING HOT-MIX ASPHALT BASE OR P.C.C. PAVEMENT*
- ⑫ EXISTING HOT-MIX ASPHALT CONCRETE SURFACE
- ⑬ EXISTING HOT-MIX ASPHALT CONCRETE PAVEMENT (FULL DEPTH). TYPE 1, 13 1/2" (11 1/2" BINDER MIXTURE B, TYPE 1; 2" SURFACE, MIXTURE D, CLASS I, TYPE 1
- ⑭ EXISTING TOP SOIL (4")
- ⑮ EXISTING COMBINATION CONCRETE CURB & GUTTER, TY B-6.24
- ⑯ EXISTING COMBINATION CONCRETE CURB & GUTTER, TY B-15.60
- ⑰ EXISTING CONCRETE MEDIAN, TY C4
- ⑱ EXISTING CONCRETE MEDIAN (4")
- ⑲ EXISTING CORRUGATED CONCRETE MEDIAN
- ⑳ EXISTING HOT-MIX ASPHALT CONCRETE SURFACE COURSE, (1 1/2")
- ㉑ EXISTING AREA REFLECTIVE CRACK CONTROL TREATMENT
- ㉒ PROPOSED LEVELING BINDER (1")
- ㉒A PROPOSED HOT-MIX ASPHALT SURFACE REMOVAL (2 1/2")
- ㉓ PROPOSED HOT-MIX ASPHALT SURFACE REMOVAL (2")
- ㉔ PROPOSED HOT-MIX ASPHALT SURFACE COURSE, MIX D, N70 (1 1/2")
- ㉕ PROPOSED POLYMER HOT-MIX ASPHALT SURFACE COURSE, MIX D, N70 (2")
- ㉖ PROPOSED PAVEMENT MARKING, LINE (5")



STA. 1+56.70 - 11+25.50

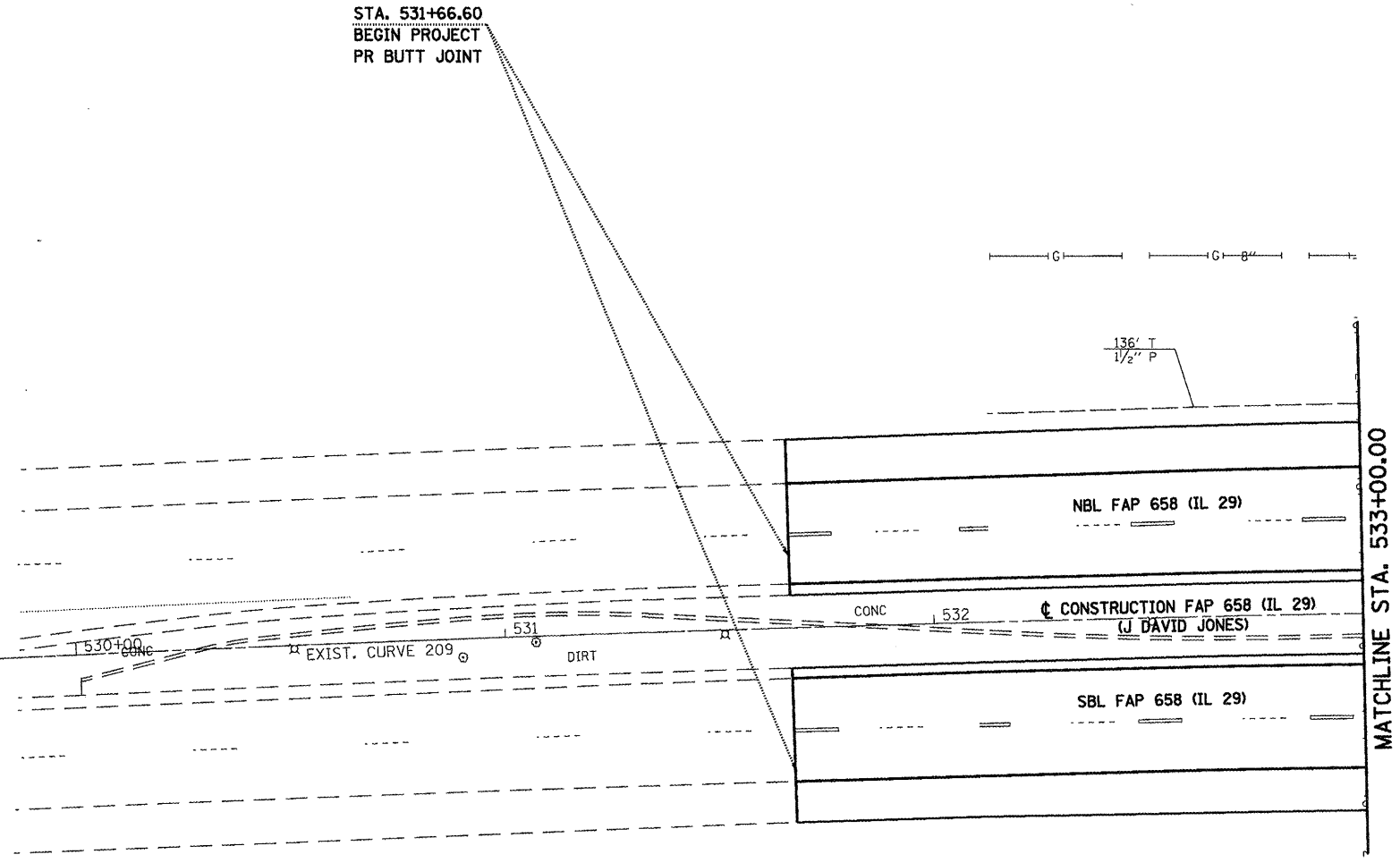


STA. 11+25.50 - 14+50.00

FILE NAME =	USER NAME = laughlinr1	DESIGNED -	REVISED -	STATE OF ILLINOIS DEPARTMENT OF TRANSPORTATION	TYPICAL SECTIONS SECTION "C" (I 55 - PEORIA RD)	F.A.P. RTE.	SECTION	COUNTY	TOTAL SHEETS	SHEET NO.	
et\pwwork\XPWIDOT\LAUGHLINRL\dms47710\0372C35-ah-t-typicals-155_PeoriaRd.dgn	PLLOT SCALE = 1/8" = 1' / IN.	DRAWN -	REVISED -			658	.	SANGAMON	206	60	
	PLLOT DATE = May-23-2010 11:28:52AM	CHECKED -	REVISED -			SCALE: SHEET NO. 3 OF 3 SHEETS STA. TO STA.		CONTRACT NO. 72C35			
						ILLINOIS FED. AID PROJECT					



STA. 531+66.60
BEGIN PROJECT
PR BUTT JOINT

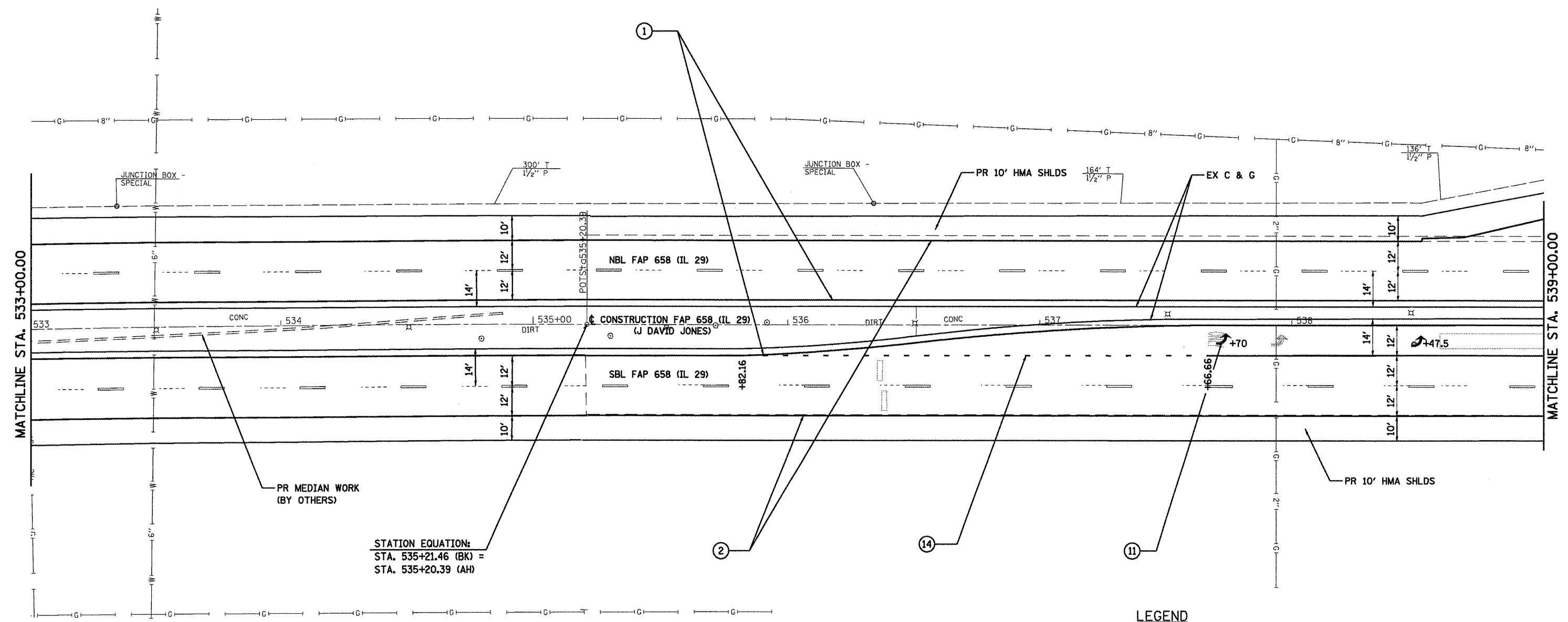


EXIST. CURVE 209
PI STA. = 531+33.87
 $\Delta = 3^\circ 59' 12''$ (RT)
D = $0^\circ 30' 51''$
R = 11,145.20'
T = 387.90'
L = 775.49'
E = 6.75'
e = -----
T.R. = -----
S.E. RUN = -----
P.C. STA. = 527+45.97
P.T. STA. = 535+21.46

LEGEND

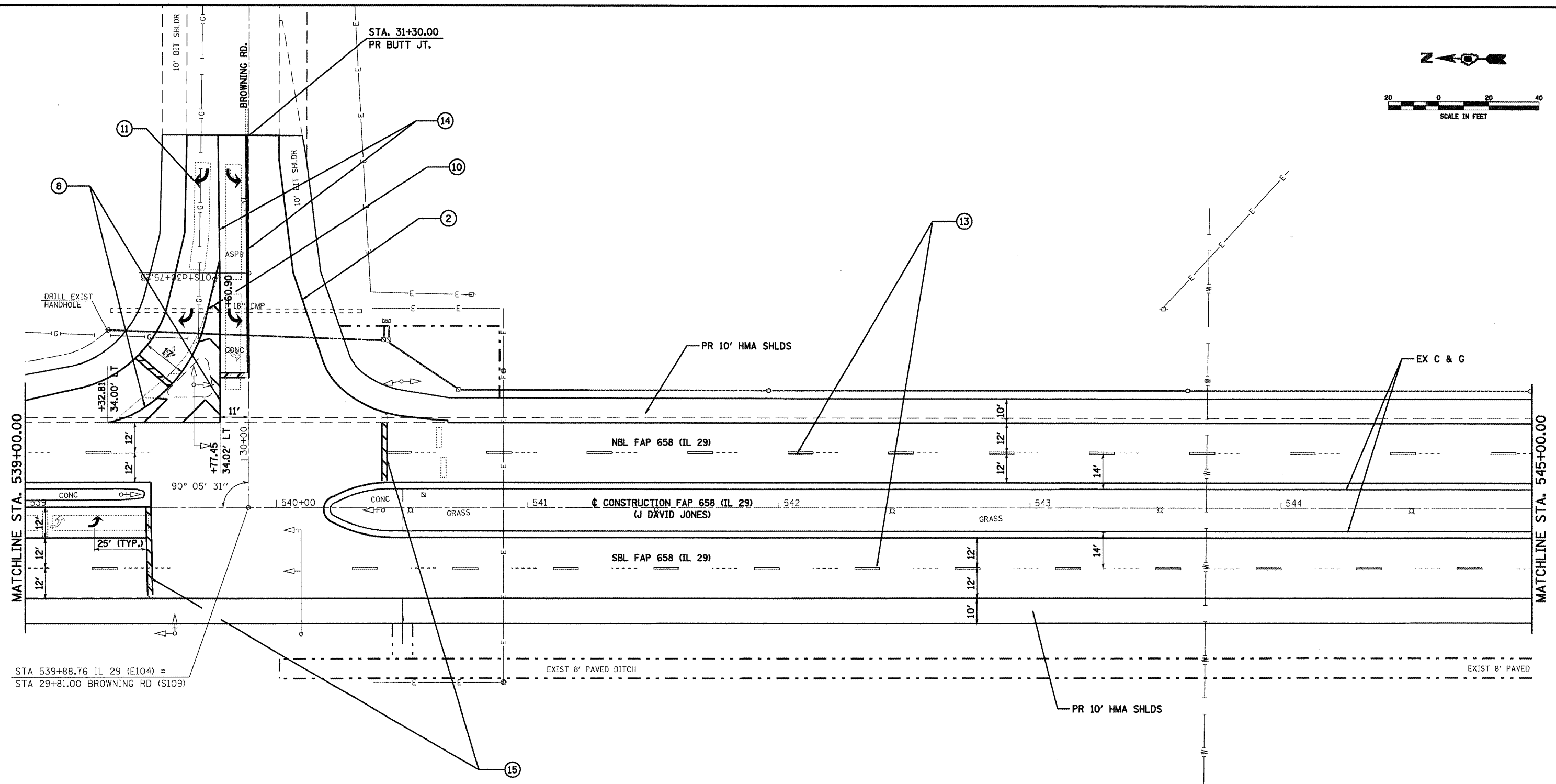
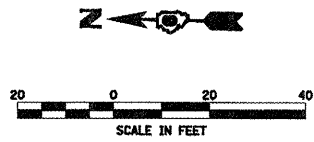
- | | |
|----------------------------|---|
| ① URETHANE- 5" YELLOW | ⑨ THERMOPLASTIC- 12" YELLOW |
| ② URETHANE- 5" WHITE | ⑩ THERMOPLASTIC- 12" WHITE |
| ③ URETHANE- 8" WHITE | ⑪ PREFORMED PLASTIC TYPE B- INLAID- LETTERS AND SYMBOLS |
| ④ URETHANE- 12" YELLOW | ⑫ PREFORMED PLASTIC TYPE B- INLAID- 5" YELLOW |
| ⑤ URETHANE-12" WHITE | ⑬ PREFORMED PLASTIC TYPE B- INLAID- 5" WHITE |
| ⑥ THERMOPLASTIC- 5" YELLOW | ⑭ PREFORMED PLASTIC TYPE B- INLAID- 6" WHITE |
| ⑦ THERMOPLASTIC- 5" WHITE | ⑮ PREFORMED PLASTIC TYPE B- INLAID- 24" WHITE |
| ⑧ THERMOPLASTIC- 8" WHITE | ⑯ PREFORMED PLASTIC TYPE B- INLAID- 8" WHITE |

FILE NAME =	USER NAME = laughlinr1	DESIGNED -	REVISED -	STATE OF ILLINOIS DEPARTMENT OF TRANSPORTATION	PLAN SHEET - SECTION "A" (OLD IL 29)	F.A.P. RTE. 658	SECTION .	COUNTY SANGAMON	TOTAL SHEETS 206	SHEET NO. 61		
ct:\pwork\pwork\LAUGHLINRL\dms47710\572C35-SHT-plen-IL291.dgn	PLOT SCALE = 40.0000' / IN.	CHECKED -	REVISED -			SCALE:	SHEET NO. 1 OF 24 SHEETS	STA.	TO STA.	ILLINOIS FED. AID PROJECT		
	PLOT DATE = Apr-30-2010 11:23:57AM	DATE -	REVISED -			CONTRACT NO. 72C35						
• 1-ILRS,TS-1127RS-6,79Z&102RS-4												



- | | |
|----------------------------|---|
| ① URETHANE- 5" YELLOW | ⑨ THERMOPLASTIC- 12" YELLOW |
| ② URETHANE- 5" WHITE | ⑩ THERMOPLASTIC- 12" WHITE |
| ③ URETHANE- 8" WHITE | ⑪ PREFORMED PLASTIC TYPE B- INLAID- LETTERS AND SYMBOLS |
| ④ URETHANE- 12" YELLOW | ⑫ PREFORMED PLASTIC TYPE B- INLAID- 5" YELLOW |
| ⑤ URETHANE-12" WHITE | ⑬ PREFORMED PLASTIC TYPE B- INLAID- 5" WHITE |
| ⑥ THERMOPLASTIC- 5" YELLOW | ⑭ PREFORMED PLASTIC TYPE B- INLAID- 6" WHITE |
| ⑦ THERMOPLASTIC- 5" WHITE | ⑮ PREFORMED PLASTIC TYPE B- INLAID- 24" WHITE |
| ⑧ THERMOPLASTIC- 8" WHITE | ⑯ PREFORMED PLASTIC TYPE B- INLAID- 8" WHITE |

FILE NAME =	USER NAME = laughlinr1	DESIGNED -	REVISED -	STATE OF ILLINOIS DEPARTMENT OF TRANSPORTATION	PLAN SHEET - SECTION "A" (OLD IL 29)	F.A.P. RTE. 658	SECTION •	COUNTY SANGAMON	TOTAL SHEETS 206	SHEET NO. 62		
ca:\pwwork\PMIDOT\LAUGHLINRL\dms47710\6572C35-SHT-plan-IL291.dgn	PLOT SCALE = 48.0000' / IN.	DRAWN -	REVISED -			SCALE:	SHEET NO. 2 OF 24 SHEETS	STA.	TO STA.	CONTRACT NO. 72C35		
	PLOT DATE = Apr-30-2010 11:24:12AM	CHECKED -	REVISED -			ILLINOIS FED. AID PROJECT						
		DATE -	REVISED -			* 1-1(RS,TS-1127RS-6)79Z&102RS-4						



MATCHLINE STA. 539+00.00

MATCHLINE STA. 545+00.00

STA 539+88.76 IL 29 (E104) =
STA 29+81.00 BROWNING RD (S109)

LEGEND

- | | |
|----------------------------|---|
| ① URETHANE- 5" YELLOW | ⑨ THERMOPLASTIC- 12" YELLOW |
| ② URETHANE- 5" WHITE | ⑩ THERMOPLASTIC- 12" WHITE |
| ③ URETHANE- 8" WHITE | ⑪ PREFORMED PLASTIC TYPE B- INLAID- LETTERS AND SYMBOLS |
| ④ URETHANE- 12" YELLOW | ⑫ PREFORMED PLASTIC TYPE B- INLAID- 5" YELLOW |
| ⑤ URETHANE-12" WHITE | ⑬ PREFORMED PLASTIC TYPE B- INLAID- 5" WHITE |
| ⑥ THERMOPLASTIC- 5" YELLOW | ⑭ PREFORMED PLASTIC TYPE B- INLAID- 6" WHITE |
| ⑦ THERMOPLASTIC- 5" WHITE | ⑮ PREFORMED PLASTIC TYPE B- INLAID- 24" WHITE |
| ⑧ THERMOPLASTIC- 8" WHITE | ⑯ PREFORMED PLASTIC TYPE B- INLAID- 8" WHITE |

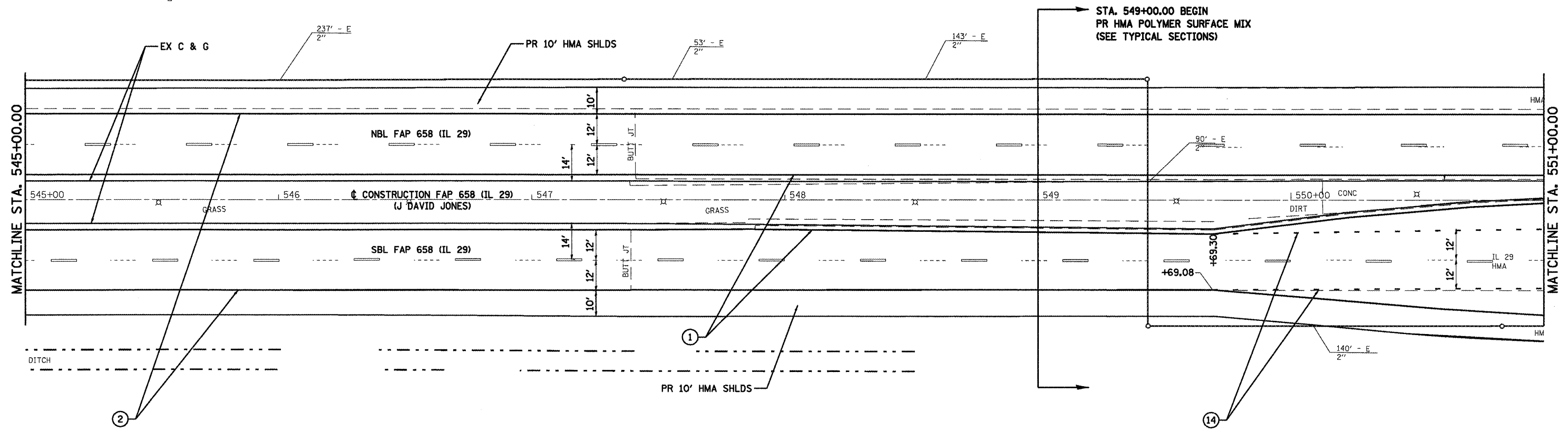
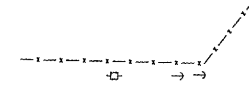
FILE NAME =	USER NAME = leughlinr1	DESIGNED -	REVISED -
et\pwwork\pwwidot\LAUGHLINRL\dms47710\6572C35-SHT-plan-IL291.dgn		DRAWN -	REVISED -
	PLOT SCALE = 40,0000' / IN.	CHECKED -	REVISED -
	PLOT DATE = Apr-30-2010 11:24:28AM	DATE -	REVISED -

**STATE OF ILLINOIS
DEPARTMENT OF TRANSPORTATION**

PLAN SHEET - SECTION "A" (OLD IL 29)

SCALE: SHEET NO. 3 OF 24 SHEETS STA. TO STA.

F.A.P. RTE. 658	SECTION .	COUNTY SANGAMON	TOTAL SHEETS 206	SHEET NO. 63
CONTRACT NO. 72C35			ILLINOIS FED. AID PROJECT	



LEGEND

- | | |
|----------------------------|---|
| ① URETHANE- 5" YELLOW | ⑨ THERMOPLASTIC- 12" YELLOW |
| ② URETHANE- 5" WHITE | ⑩ THERMOPLASTIC- 12" WHITE |
| ③ URETHANE- 8" WHITE | ⑪ PREFORMED PLASTIC TYPE B- INLAID- LETTERS AND SYMBOLS |
| ④ URETHANE- 12" YELLOW | ⑫ PREFORMED PLASTIC TYPE B- INLAID- 5" YELLOW |
| ⑤ URETHANE-12" WHITE | ⑬ PREFORMED PLASTIC TYPE B- INLAID- 5" WHITE |
| ⑥ THERMOPLASTIC- 5" YELLOW | ⑭ PREFORMED PLASTIC TYPE B- INLAID- 6" WHITE |
| ⑦ THERMOPLASTIC- 5" WHITE | ⑮ PREFORMED PLASTIC TYPE B- INLAID- 24" WHITE |
| ⑧ THERMOPLASTIC- 8" WHITE | ⑯ PREFORMED PLASTIC TYPE B- INLAID- 8" WHITE |

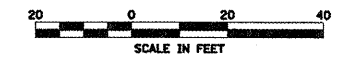
FILE NAME =	USER NAME = laughlinr1	DESIGNED -	REVISED -
es:\pwork\pwork\DOT\LAUGHLINR1\dms47710\65872C35-SHT-plan-IL29.dgn		DRAWN -	REVISED -
	PLOT SCALE = 48.0000' / IN.	CHECKED -	REVISED -
	PLOT DATE = Apr-30-2010 11:24:44AM	DATE -	REVISED -

**STATE OF ILLINOIS
DEPARTMENT OF TRANSPORTATION**

PLAN SHEET - SECTION "A" (OLD IL 29)

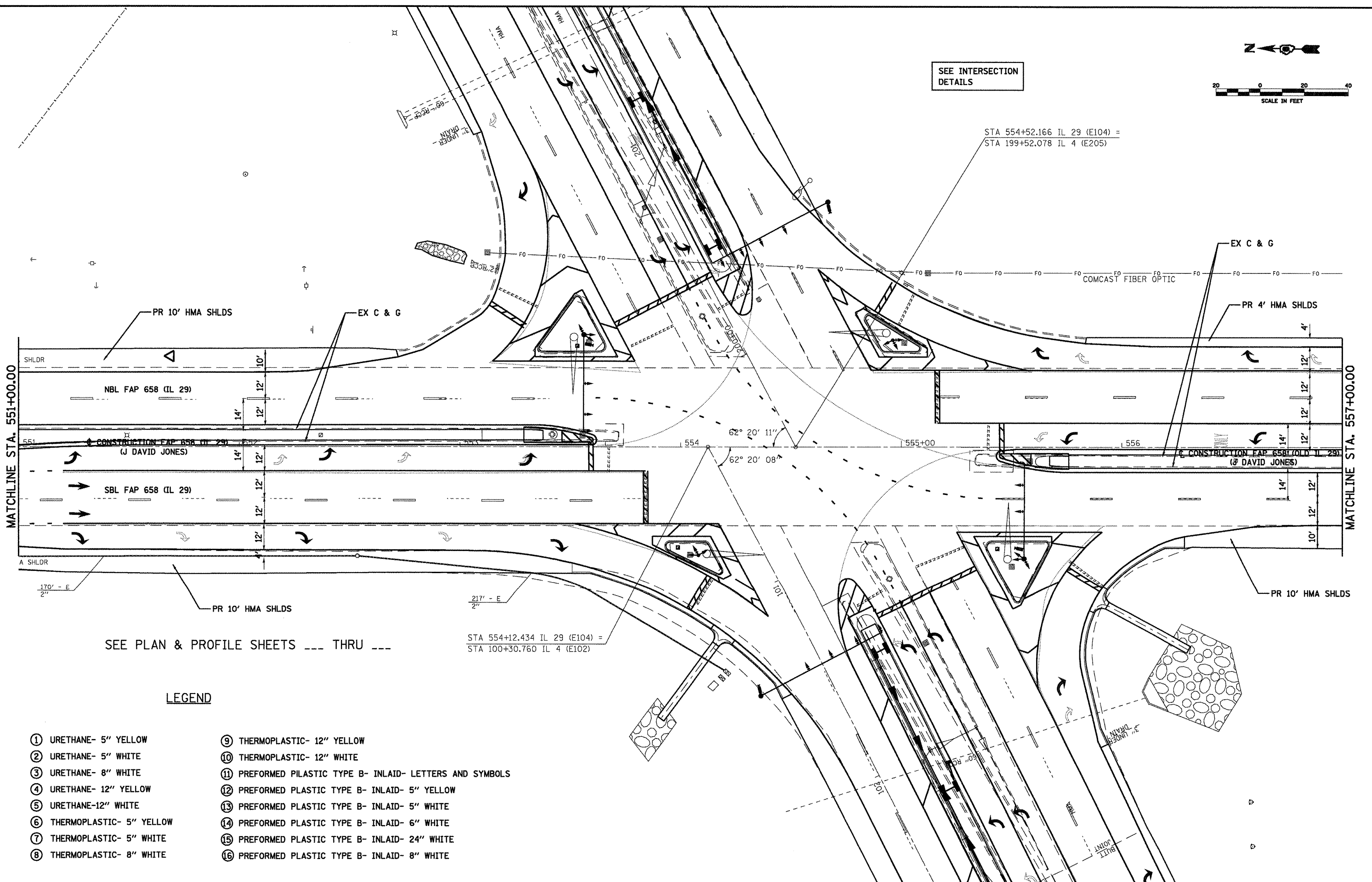
SCALE: SHEET NO. 4 OF 24 SHEETS STA. TO STA.

F.A.P. RTE. 658	SECTION *	COUNTY SANGAMON	TOTAL SHEETS 206	SHEET NO. 64
ILLINOIS FED. AID PROJECT			CONTRACT NO. 72C35	



SEE INTERSECTION
DETAILS

STA 554+52.166 IL 29 (E104) =
STA 199+52.078 IL 4 (E205)



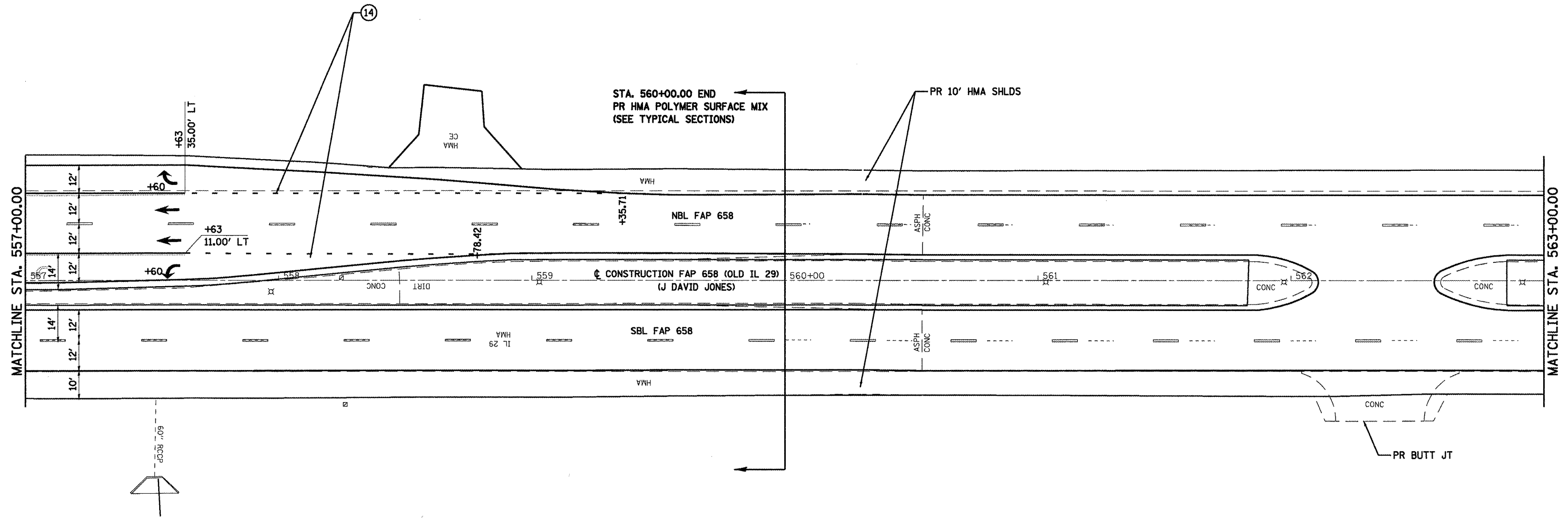
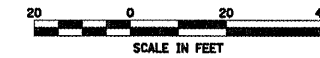
SEE PLAN & PROFILE SHEETS --- THRU ---

STA 554+12.434 IL 29 (E104) =
STA 100+30.760 IL 4 (E102)

LEGEND

- | | |
|----------------------------|---|
| ① URETHANE- 5" YELLOW | ⑨ THERMOPLASTIC- 12" YELLOW |
| ② URETHANE- 5" WHITE | ⑩ THERMOPLASTIC- 12" WHITE |
| ③ URETHANE- 8" WHITE | ⑪ PREFORMED PLASTIC TYPE B- INLAID- LETTERS AND SYMBOLS |
| ④ URETHANE- 12" YELLOW | ⑫ PREFORMED PLASTIC TYPE B- INLAID- 5" YELLOW |
| ⑤ URETHANE-12" WHITE | ⑬ PREFORMED PLASTIC TYPE B- INLAID- 5" WHITE |
| ⑥ THERMOPLASTIC- 5" YELLOW | ⑭ PREFORMED PLASTIC TYPE B- INLAID- 6" WHITE |
| ⑦ THERMOPLASTIC- 5" WHITE | ⑮ PREFORMED PLASTIC TYPE B- INLAID- 24" WHITE |
| ⑧ THERMOPLASTIC- 8" WHITE | ⑯ PREFORMED PLASTIC TYPE B- INLAID- 8" WHITE |

FILE NAME =	USER NAME = laughlinr1	DESIGNED -	REVISED -	STATE OF ILLINOIS DEPARTMENT OF TRANSPORTATION	PLAN SHEET - SECTION "A" (OLD IL 29)		F.A.P. RTE. 658	SECTION	COUNTY	TOTAL SHEETS	SHEET NO.
et:\pw\work\NPWIDOT\LAUGHLINR1\dms47710\0372C35-SHT-plan-IL291.dgn	72C35-SHT-plan-IL291.dgn	DRAWN -	REVISED -		SCALE:	SHEET NO. 5 OF 24 SHEETS	STA.		SANGAMON	206	65
	PLOT SCALE = 40.0000' / IN.	CHECKED -	REVISED -				TO STA.				
	PLOT DATE = Apr-30-2010 11:24:59AM	DATE -	REVISED -								
								CONTRACT NO. 72C35		ILLINOIS FED. AID PROJECT	



LEGEND

- ① URETHANE- 5" YELLOW
- ② URETHANE- 5" WHITE
- ③ URETHANE- 8" WHITE
- ④ URETHANE- 12" YELLOW
- ⑤ URETHANE-12" WHITE
- ⑥ THERMOPLASTIC- 5" YELLOW
- ⑦ THERMOPLASTIC- 5" WHITE
- ⑧ THERMOPLASTIC- 8" WHITE
- ⑨ THERMOPLASTIC- 12" YELLOW
- ⑩ THERMOPLASTIC- 12" WHITE
- ⑪ PREFORMED PLASTIC TYPE B- INLAID- LETTERS AND SYMBOLS
- ⑫ PREFORMED PLASTIC TYPE B- INLAID- 5" YELLOW
- ⑬ PREFORMED PLASTIC TYPE B- INLAID- 5" WHITE
- ⑭ PREFORMED PLASTIC TYPE B- INLAID- 6" WHITE
- ⑮ PREFORMED PLASTIC TYPE B- INLAID- 24" WHITE
- ⑯ PREFORMED PLASTIC TYPE B- INLAID- B" WHITE

FILE NAME =
 c:\pwwork\pwwidot\LAUGHLIN\RL\dms47710\

USER NAME = laughlin-l
 S72C35-SHT-plan-IL291.dgn
 PLOT SCALE = 48.0000' / IN.
 PLOT DATE = Apr-30-2018 11:25:16AM

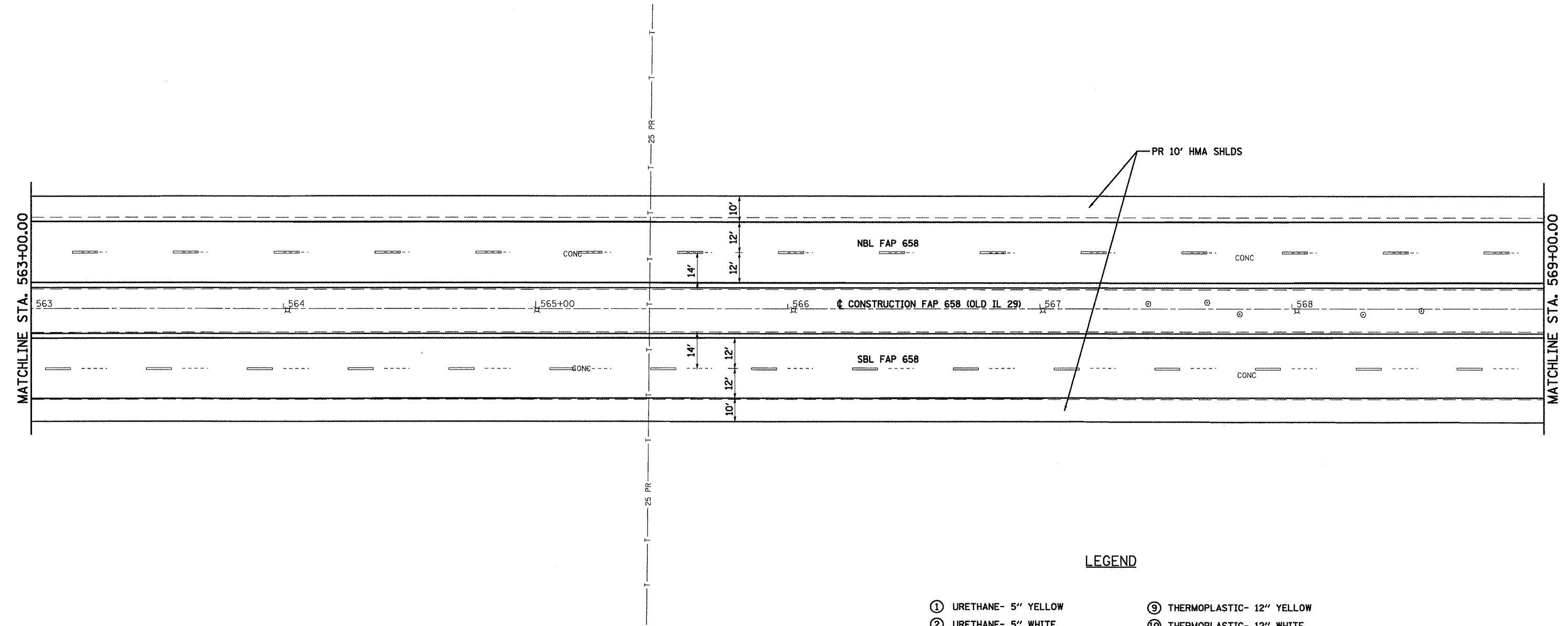
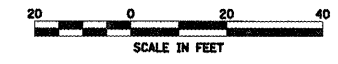
DESIGNED -	REVISED -
DRAWN -	REVISED -
CHECKED -	REVISED -
DATE -	REVISED -

**STATE OF ILLINOIS
 DEPARTMENT OF TRANSPORTATION**

PLAN SHEET - SECTION "A" (OLD IL 29)

SCALE: SHEET NO. 6 OF 24 SHEETS STA. TO STA.

F.A.P. RTE.	SECTION	COUNTY	TOTAL SHEETS	SHEET NO.
658	.	SANGAMON	206	66
CONTRACT NO. 72C35			ILLINOIS FED. AID PROJECT	



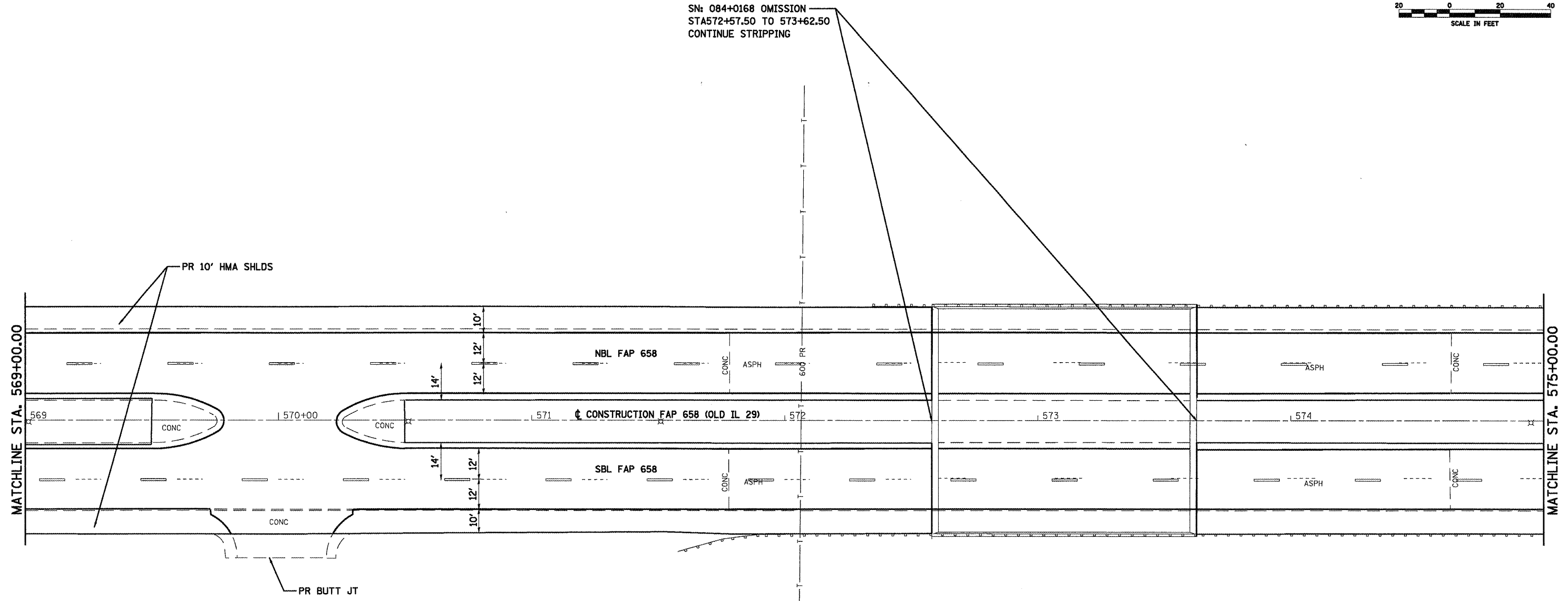
LEGEND

- ① URETHANE- 5" YELLOW
- ② URETHANE- 5" WHITE
- ③ URETHANE- 8" WHITE
- ④ URETHANE- 12" YELLOW
- ⑤ URETHANE-12" WHITE
- ⑥ THERMOPLASTIC- 5" YELLOW
- ⑦ THERMOPLASTIC- 5" WHITE
- ⑧ THERMOPLASTIC- 8" WHITE
- ⑨ THERMOPLASTIC- 12" YELLOW
- ⑩ THERMOPLASTIC- 12" WHITE
- ⑪ PREFORMED PLASTIC TYPE B- INLAID- LETTERS AND SYMBOLS
- ⑫ PREFORMED PLASTIC TYPE B- INLAID- 5" YELLOW
- ⑬ PREFORMED PLASTIC TYPE B- INLAID- 5" WHITE
- ⑭ PREFORMED PLASTIC TYPE B- INLAID- 6" WHITE
- ⑮ PREFORMED PLASTIC TYPE B- INLAID- 24" WHITE
- ⑯ PREFORMED PLASTIC TYPE B- INLAID- 8" WHITE

FILE NAME =	USER NAME = laughlirr1	DESIGNED -	REVISED -	STATE OF ILLINOIS DEPARTMENT OF TRANSPORTATION	PLAN SHEET - SECTION "A" (OLD IL 29)	F.A.P. RTE.	SECTION	COUNTY	TOTAL SHEETS	SHEET NO.	
es\pwwork\pwwid\LAUGHLINRL\dms47710\ND	872C35-SHT-plan-IL291.dgn	DRAWN -	REVISED -			658	.	SANGAMON	206	67	
	PLOT SCALE = 48.0000' / IN.	CHECKED -	REVISED -			SCALE: SHEET NO. 7 OF 24 SHEETS STA. TO STA.		ILLINOIS FED. AID PROJECT		CONTRACT NO. 72C35	
	PLOT DATE = Apr-30-2010 11:25:31AM	DATE -	REVISED -								



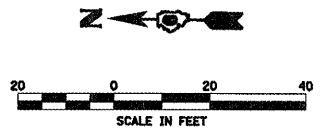
SN: 084+0168 OMISSION
 STA572+57.50 TO 573+62.50
 CONTINUE STRIPPING



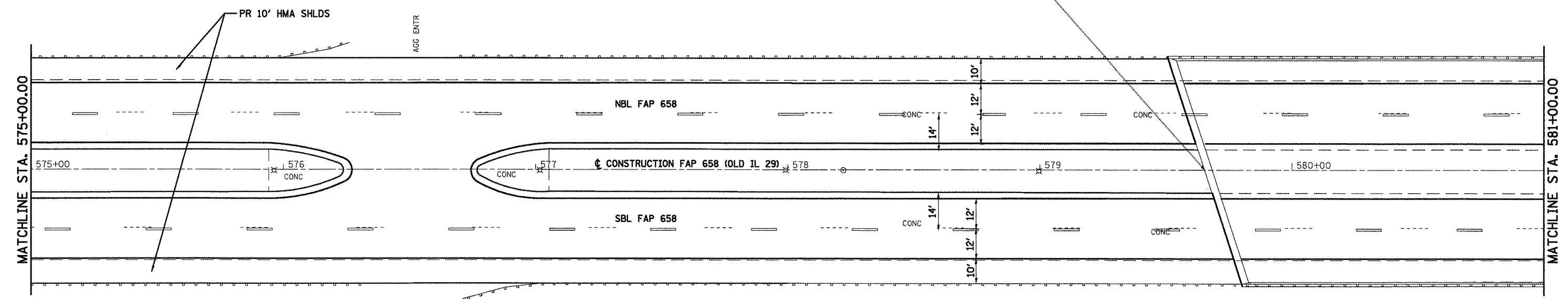
LEGEND

- ① URETHANE- 5" YELLOW
- ② URETHANE- 5" WHITE
- ③ URETHANE- 8" WHITE
- ④ URETHANE- 12" YELLOW
- ⑤ URETHANE-12" WHITE
- ⑥ THERMOPLASTIC- 5" YELLOW
- ⑦ THERMOPLASTIC- 5" WHITE
- ⑧ THERMOPLASTIC- 8" WHITE
- ⑨ THERMOPLASTIC- 12" YELLOW
- ⑩ THERMOPLASTIC- 12" WHITE
- ⑪ PREFORMED PILASTIC TYPE B- INLAID- LETTERS AND SYMBOLS
- ⑫ PREFORMED PLASTIC TYPE B- INLAID- 5" YELLOW
- ⑬ PREFORMED PLASTIC TYPE B- INLAID- 5" WHITE
- ⑭ PREFORMED PLASTIC TYPE B- INLAID- 6" WHITE
- ⑮ PREFORMED PLASTIC TYPE B- INLAID- 24" WHITE
- ⑯ PREFORMED PLASTIC TYPE B- INLAID- 8" WHITE

FILE NAME =	USER NAME = laughlinn1	DESIGNED -	REVISED -	STATE OF ILLINOIS DEPARTMENT OF TRANSPORTATION	PLAN SHEET - SECTION "A" (OLD IL 29)	F.A.P. RTE. 658	SECTION	COUNTY SANGAMON	TOTAL SHEETS 206	SHEET NO. 68	
es:\pw_work\VPWIDOT\LAUGHLINRL\dms47710\	72C35-SHT-plan-IL29.dgn	DRAWN -	REVISED -			SCALE:	SHEET NO. 8 OF 24 SHEETS	STA.	TO STA.	ILLINOIS FED. AID PROJECT	
	PLOT SCALE = 48.0000' / IN.	CHECKED -	REVISED -								
	PLOT DATE = Apr-30-2010 11:25:47AM	DATE -	REVISED -			CONTRACT NO. 72C35					



BEGIN OMISSION
 STRUCTURE NO. 084-
 STA. 579+65.11
 CONTINUE STRIPING
 PR BUTT JT



LEGEND

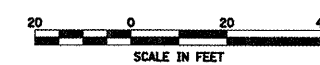
- | | |
|----------------------------|---|
| ① URETHANE- 5" YELLOW | ⑨ THERMOPLASTIC- 12" YELLOW |
| ② URETHANE- 5" WHITE | ⑩ THERMOPLASTIC- 12" WHITE |
| ③ URETHANE- 8" WHITE | ⑪ PREFORMED PLASTIC TYPE B- INLAID- LETTERS AND SYMBOLS |
| ④ URETHANE- 12" YELLOW | ⑫ PREFORMED PLASTIC TYPE B- INLAID- 5" YELLOW |
| ⑤ URETHANE- 12" WHITE | ⑬ PREFORMED PLASTIC TYPE B- INLAID- 5" WHITE |
| ⑥ THERMOPLASTIC- 5" YELLOW | ⑭ PREFORMED PLASTIC TYPE B- INLAID- 6" WHITE |
| ⑦ THERMOPLASTIC- 5" WHITE | ⑮ PREFORMED PLASTIC TYPE B- INLAID- 24" WHITE |
| ⑧ THERMOPLASTIC- 8" WHITE | ⑯ PREFORMED PLASTIC TYPE B- INLAID- 8" WHITE |

FILE NAME =	USER NAME = leughlinr1	DESIGNED -	REVISED -
ca\pwwork\KVPWIDOT\LAUGHLINRL\dms47710\672C35-SHT-plan-IL29.dgn		DRAWN -	REVISED -
		CHECKED -	REVISED -
		DATE -	REVISED -

**STATE OF ILLINOIS
 DEPARTMENT OF TRANSPORTATION**

PLAN SHEET - SECTION "A" (OLD IL 29)	
SCALE:	SHEET NO. 9 OF 24 SHEETS STA. TO STA.

F.A.P. RTE. 658	SECTION •	COUNTY SANGAMON	TOTAL SHEETS 206	SHEET NO. 69
CONTRACT NO. 72C35			ILLINOIS FED. AID PROJECT	

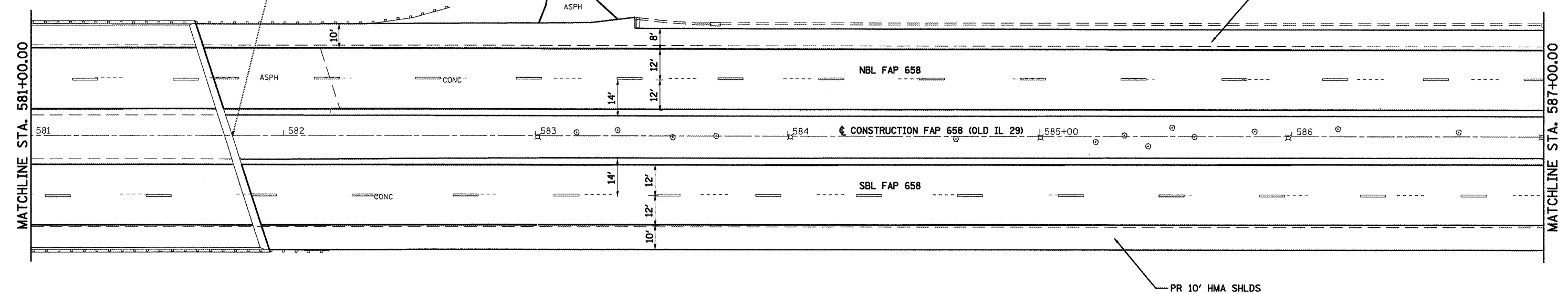


END OMISSION
 STRUCTURE NO. 084-
 STA. 581+80.60
 CONTINUE STRIPING
 PR BUTT JT

CILCO E E

ASPH

PR 8' HMA SHLDS

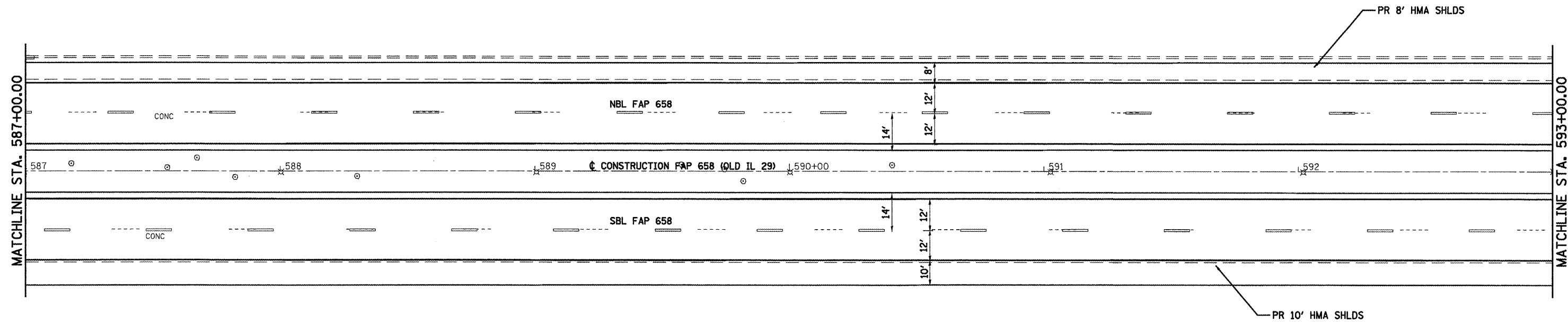


LEGEND

- | | |
|----------------------------|---|
| ① URETHANE- 5" YELLOW | ⑨ THERMOPLASTIC- 12" YELLOW |
| ② URETHANE- 5" WHITE | ⑩ THERMOPLASTIC- 12" WHITE |
| ③ URETHANE- 8" WHITE | ⑪ PREFORMED PLASTIC TYPE B- INLAID- LETTERS AND SYMBOLS |
| ④ URETHANE- 12" YELLOW | ⑫ PREFORMED PLASTIC TYPE B- INLAID- 5" YELLOW |
| ⑤ URETHANE-12" WHITE | ⑬ PREFORMED PLASTIC TYPE B- INLAID- 5" WHITE |
| ⑥ THERMOPLASTIC- 5" YELLOW | ⑭ PREFORMED PLASTIC TYPE B- INLAID- 6" WHITE |
| ⑦ THERMOPLASTIC- 5" WHITE | ⑮ PREFORMED PLASTIC TYPE B- INLAID- 24" WHITE |
| ⑧ THERMOPLASTIC- 8" WHITE | ⑯ PREFORMED PLASTIC TYPE B- INLAID- 8" WHITE |

FILE NAME =	USER NAME = laughlinr1	DESIGNED -	REVISED -	STATE OF ILLINOIS DEPARTMENT OF TRANSPORTATION	PLAN SHEET - SECTION "A" (OLD IL 29)	F.A.P. RTE. 658	SECTION *	COUNTY SANGAMON	TOTAL SHEETS 206	SHEET NO. 70		
ct:\pw-work\VPWIDOT\LAUGHLINR1\dms47710\672C35-SHT-plan-IL291.dgn	PLOT SCALE = 48.0000' / IN.	DRAWN -	REVISED -			SCALE:	SHEET NO. 10 OF 24 SHEETS	STA.	TO STA.	ILLINOIS FED. AID PROJECT CONTRACT NO. 72C35		
	PLOT DATE = Apr-30-2010 11:26:19AM	CHECKED -	REVISED -									
		DATE -	REVISED -									

* 1-(RS,TS-1127RS-6)79Z&102RS-4



LEGEND

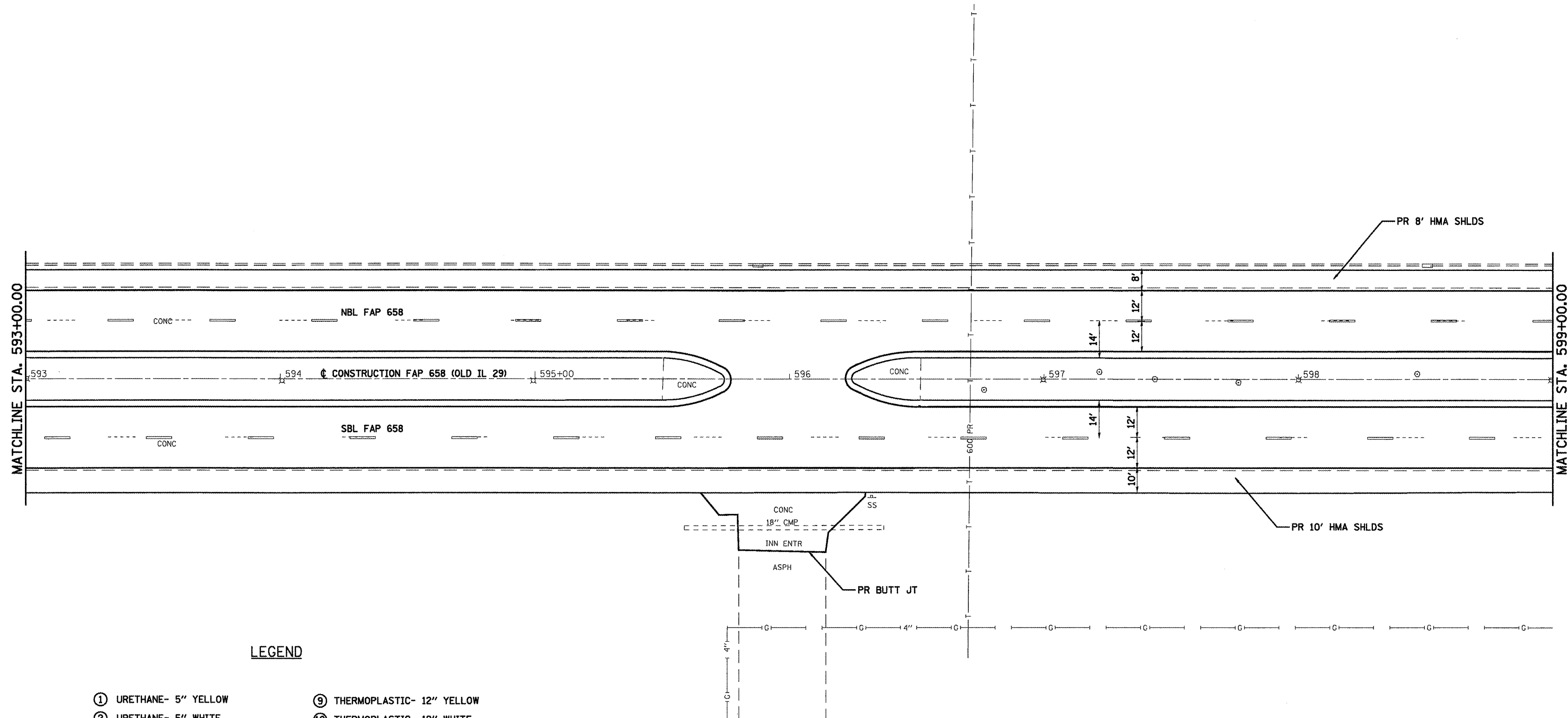
- | | |
|----------------------------|---|
| ① URETHANE- 5" YELLOW | ⑨ THERMOPLASTIC- 12" YELLOW |
| ② URETHANE- 5" WHITE | ⑩ THERMOPLASTIC- 12" WHITE |
| ③ URETHANE- 8" WHITE | ⑪ PREFORMED PLASTIC TYPE B- INLAID- LETTERS AND SYMBOLS |
| ④ URETHANE- 12" YELLOW | ⑫ PREFORMED PLASTIC TYPE B- INLAID- 5" YELLOW |
| ⑤ URETHANE-12" WHITE | ⑬ PREFORMED PLASTIC TYPE B- INLAID- 5" WHITE |
| ⑥ THERMOPLASTIC- 5" YELLOW | ⑭ PREFORMED PLASTIC TYPE B- INLAID- 6" WHITE |
| ⑦ THERMOPLASTIC- 5" WHITE | ⑮ PREFORMED PLASTIC TYPE B- INLAID- 24" WHITE |
| ⑧ THERMOPLASTIC- 8" WHITE | ⑯ PREFORMED PLASTIC TYPE B- INLAID- 8" WHITE |

FILE NAME =	USER NAME = laughlinr1	DESIGNED -	REVISED -
ei\pwwork\pwwid\LAUGHLINRL\dms47710\672C35-SHT-plan-IL29.dgn		DRAWN -	REVISED -
		CHECKED -	REVISED -
		DATE -	REVISED -

**STATE OF ILLINOIS
DEPARTMENT OF TRANSPORTATION**

PLAN SHEET - SECTION "A" (OLD IL 29)	
SCALE:	SHEET NO. 11 OF 24 SHEETS STA. TO STA.

F.A.P. RTE.	SECTION	COUNTY	TOTAL SHEETS	SHEET NO.
658	.	SANGAMON	206	71
CONTRACT NO. 72C35			ILLINOIS FED. AID PROJECT	



LEGEND

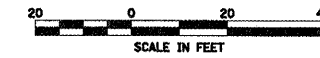
- | | |
|----------------------------|---|
| ① URETHANE- 5" YELLOW | ⑨ THERMOPLASTIC- 12" YELLOW |
| ② URETHANE- 5" WHITE | ⑩ THERMOPLASTIC- 12" WHITE |
| ③ URETHANE- 8" WHITE | ⑪ PREFORMED PLASTIC TYPE B- INLAID- LETTERS AND SYMBOLS |
| ④ URETHANE- 12" YELLOW | ⑫ PREFORMED PLASTIC TYPE B- INLAID- 5" YELLOW |
| ⑤ URETHANE-12" WHITE | ⑬ PREFORMED PLASTIC TYPE B- INLAID- 5" WHITE |
| ⑥ THERMOPLASTIC- 5" YELLOW | ⑭ PREFORMED PLASTIC TYPE B- INLAID- 6" WHITE |
| ⑦ THERMOPLASTIC- 5" WHITE | ⑮ PREFORMED PLASTIC TYPE B- INLAID- 24" WHITE |
| ⑧ THERMOPLASTIC- 8" WHITE | ⑯ PREFORMED PLASTIC TYPE B- INLAID- 8" WHITE |

FILE NAME =	USER NAME = laughlinr1	DESIGNED -	REVISED -
et:\pwork\pwidot\LAUGHLINRL\dms47710\872035-SHT-plan-IL291.dgn		DRAWN -	REVISED -
	PLOT SCALE = 48.0000 ' / IN.	CHECKED -	REVISED -
	PLOT DATE = Apr-30-2010 11:31:02AM	DATE -	REVISED -

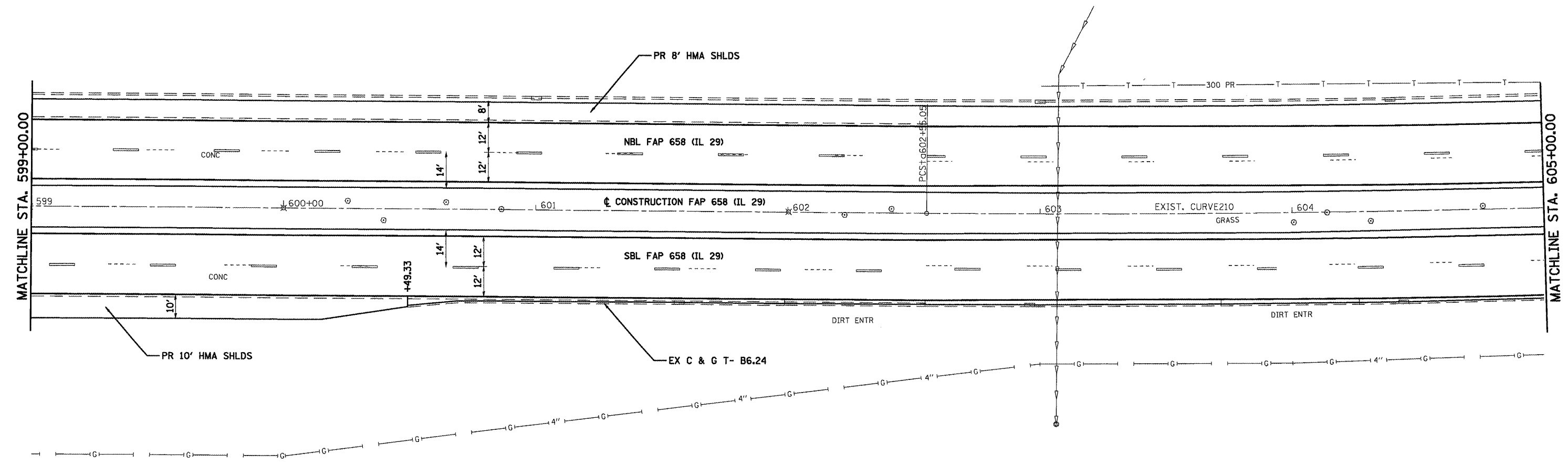
**STATE OF ILLINOIS
DEPARTMENT OF TRANSPORTATION**

PLAN SHEET - SECTION "A" (OLD IL 29)	
SCALE:	SHEET NO. 12 OF 24 SHEETS STA. TO STA.

F.A.P. RTE.	SECTION	COUNTY	TOTAL SHEETS	SHEET NO.
658		SANGAMON	206	72
CONTRACT NO. 72C35			ILLINOIS FED. AID PROJECT	



EXIST. CURVE210
 PI STA. =604+95.55
 $\Delta = 3^{\circ} 57' 41''$ (LT)
 $D = 0^{\circ} 49' 26''$
 $R = 6,954.21'$
 $T = 240.49'$
 $L = 480.80'$
 $E = 4.16'$
 $e = NC$
 $T.R. = \text{-----}$
 $S.E. RUN = \text{-----}$
 P.C. STA. =602+55.05
 P.T. STA. =607+35.85

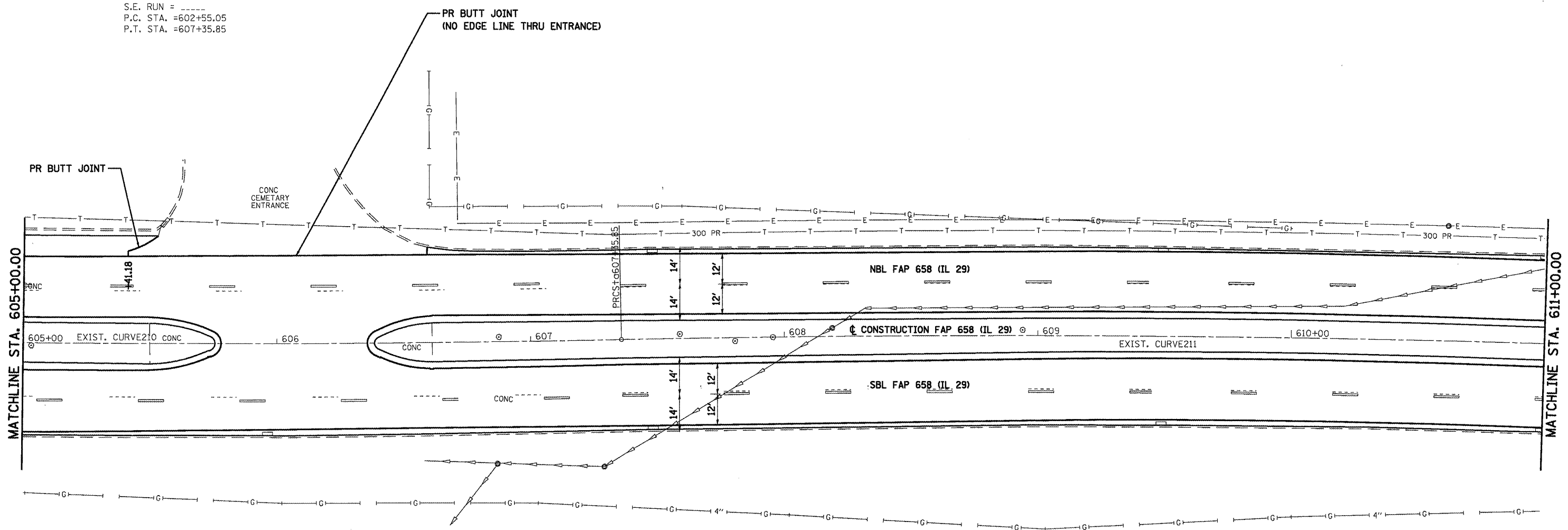
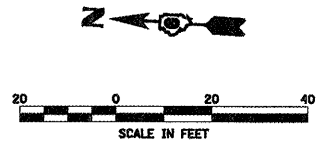


LEGEND

- | | |
|----------------------------|---|
| ① URETHANE- 5" YELLOW | ⑨ THERMOPLASTIC- 12" YELLOW |
| ② URETHANE- 5" WHITE | ⑩ THERMOPLASTIC- 12" WHITE |
| ③ URETHANE- 8" WHITE | ⑪ PREFORMED PLASTIC TYPE B- INLAID- LETTERS AND SYMBOLS |
| ④ URETHANE- 12" YELLOW | ⑫ PREFORMED PLASTIC TYPE B- INLAID- 5" YELLOW |
| ⑤ URETHANE-12" WHITE | ⑬ PREFORMED PLASTIC TYPE B- INLAID- 5" WHITE |
| ⑥ THERMOPLASTIC- 5" YELLOW | ⑭ PREFORMED PLASTIC TYPE B- INLAID- 6" WHITE |
| ⑦ THERMOPLASTIC- 5" WHITE | ⑮ PREFORMED PLASTIC TYPE B- INLAID- 24" WHITE |
| ⑧ THERMOPLASTIC- 8" WHITE | ⑯ PREFORMED PLASTIC TYPE B- INLAID- 8" WHITE |

FILE NAME = c:\p\w\k\p\WIDOT\LAUGHLINRL\dms47710\	USER NAME = laughlinr1	DESIGNED -	REVISED -	STATE OF ILLINOIS DEPARTMENT OF TRANSPORTATION	PLAN SHEET - SECTION "A" (OLD IL 29)	F.A.P. RTE. 658	SECTION .	COUNTY SANGAMON	TOTAL SHEETS 206	SHEET NO. 73		
	72C35-SHT-plan-IL29.dgn	DRAWN -	REVISED -			SCALE:	SHEET NO. 13 OF 24 SHEETS	STA.	TO STA.	CONTRACT NO. 72C35		
	PLOT SCALE = 40,0000' / IN.	CHECKED -	REVISED -			ILLINOIS FED. AID PROJECT						
	PLOT DATE = Apr-30-2010 11:31:17AM	DATE -	REVISED -			1-1(RS,TS-1)2RS-6j79Z&102RS-4						

EXIST. CURVE210
 PI STA. =604+95.55
 $\Delta = 3^\circ 57' 41''$ (LT)
 $D = 0^\circ 49' 26''$
 $R = 6,954.21'$
 $T = 240.49'$
 $L = 480.80'$
 $E = 4.16'$
 $e = NC$
 T.R. = -----
 S.E. RUN = -----
 P.C. STA. =602+55.05
 P.T. STA. =607+35.85



LEGEND

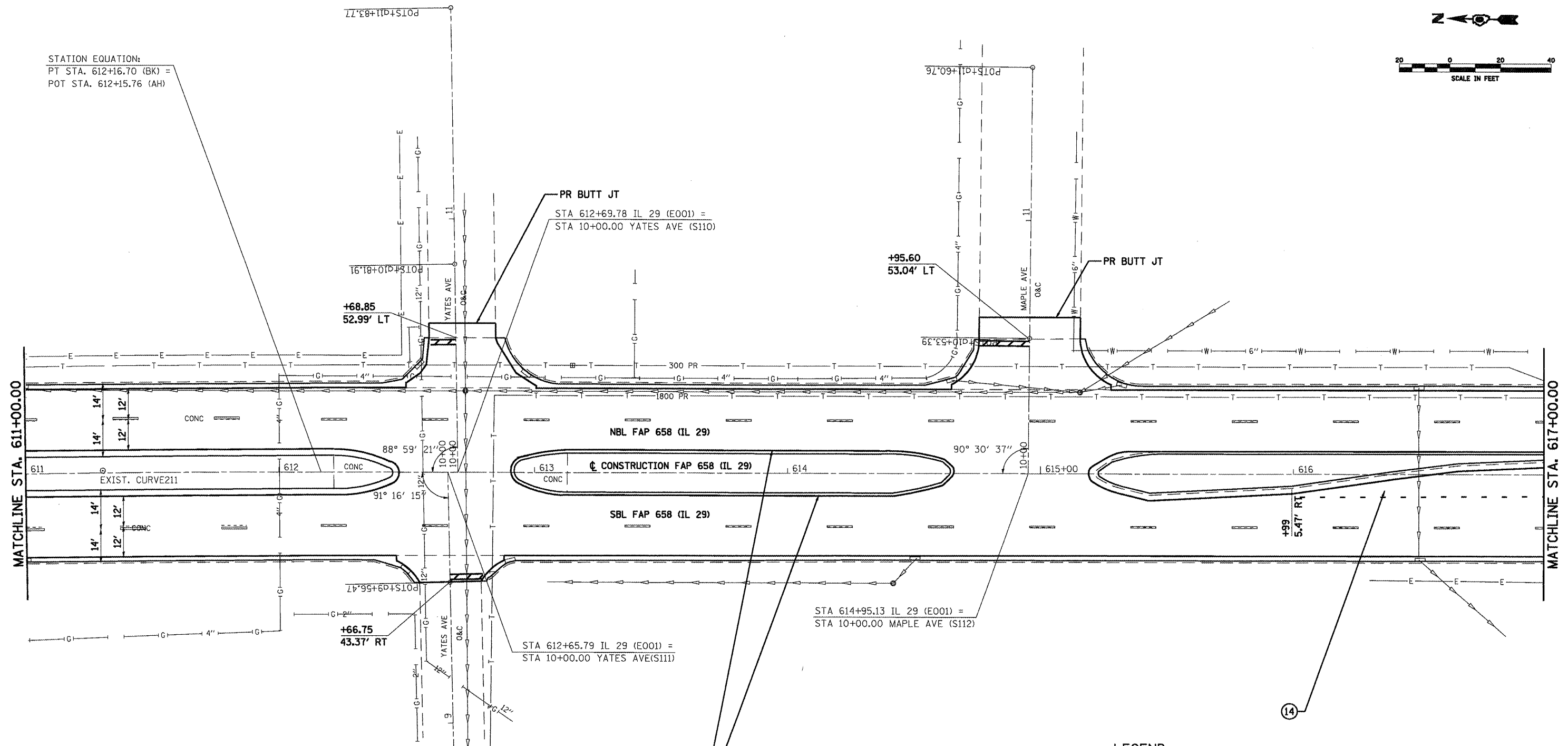
- | | |
|----------------------------|---|
| ① URETHANE- 5" YELLOW | ⑨ THERMOPLASTIC- 12" YELLOW |
| ② URETHANE- 5" WHITE | ⑩ THERMOPLASTIC- 12" WHITE |
| ③ URETHANE- 8" WHITE | ⑪ PREFORMED PLASTIC TYPE B- INLAID- LETTERS AND SYMBOLS |
| ④ URETHANE- 12" YELLOW | ⑫ PREFORMED PLASTIC TYPE B- INLAID- 5" YELLOW |
| ⑤ URETHANE-12" WHITE | ⑬ PREFORMED PLASTIC TYPE B- INLAID- 5" WHITE |
| ⑥ THERMOPLASTIC- 5" YELLOW | ⑭ PREFORMED PLASTIC TYPE B- INLAID- 6" WHITE |
| ⑦ THERMOPLASTIC- 5" WHITE | ⑮ PREFORMED PLASTIC TYPE B- INLAID- 24" WHITE |
| ⑧ THERMOPLASTIC- 8" WHITE | ⑯ PREFORMED PLASTIC TYPE B- INLAID- 8" WHITE |

EXIST. CURVE211
 PI STA. =609+76.37
 $\Delta = 3^\circ 57' 01''$ (RT)
 $D = 0^\circ 49' 18''$
 $R = 6,974.12'$
 $T = 240.52'$
 $L = 480.85'$
 $E = 4.15'$
 $e = NC$
 T.R. = -----
 S.E. RUN = -----
 P.C. STA. =607+35.85
 P.T. STA. =612+16.70

FILE NAME =	USER NAME = laughlrr1	DESIGNED -	REVISED -	STATE OF ILLINOIS DEPARTMENT OF TRANSPORTATION	PLAN SHEET - SECTION "A" (OLD IL 29)	F.A.P. RTE.	SECTION	COUNTY	TOTAL SHEETS	SHEET NO.	
ca:\pw\work\PIWIDOT\LAUGHLINRL\dme47710\572C35-SHT-plan-IL291.dgn	PLOT SCALE = 48.0000' / IN.	DRAWN -	REVISED -			658	.	SANGAMON	206	74	
	PLOT DATE = Apr-30-2010 11:31:30AM	CHECKED -	REVISED -			CONTRACT NO. 72C35					
		DATE -	REVISED -			ILLINOIS FED. AID PROJECT					



STATION EQUATION:
 PT STA. 612+16.70 (BK) =
 POT STA. 612+15.76 (AH)

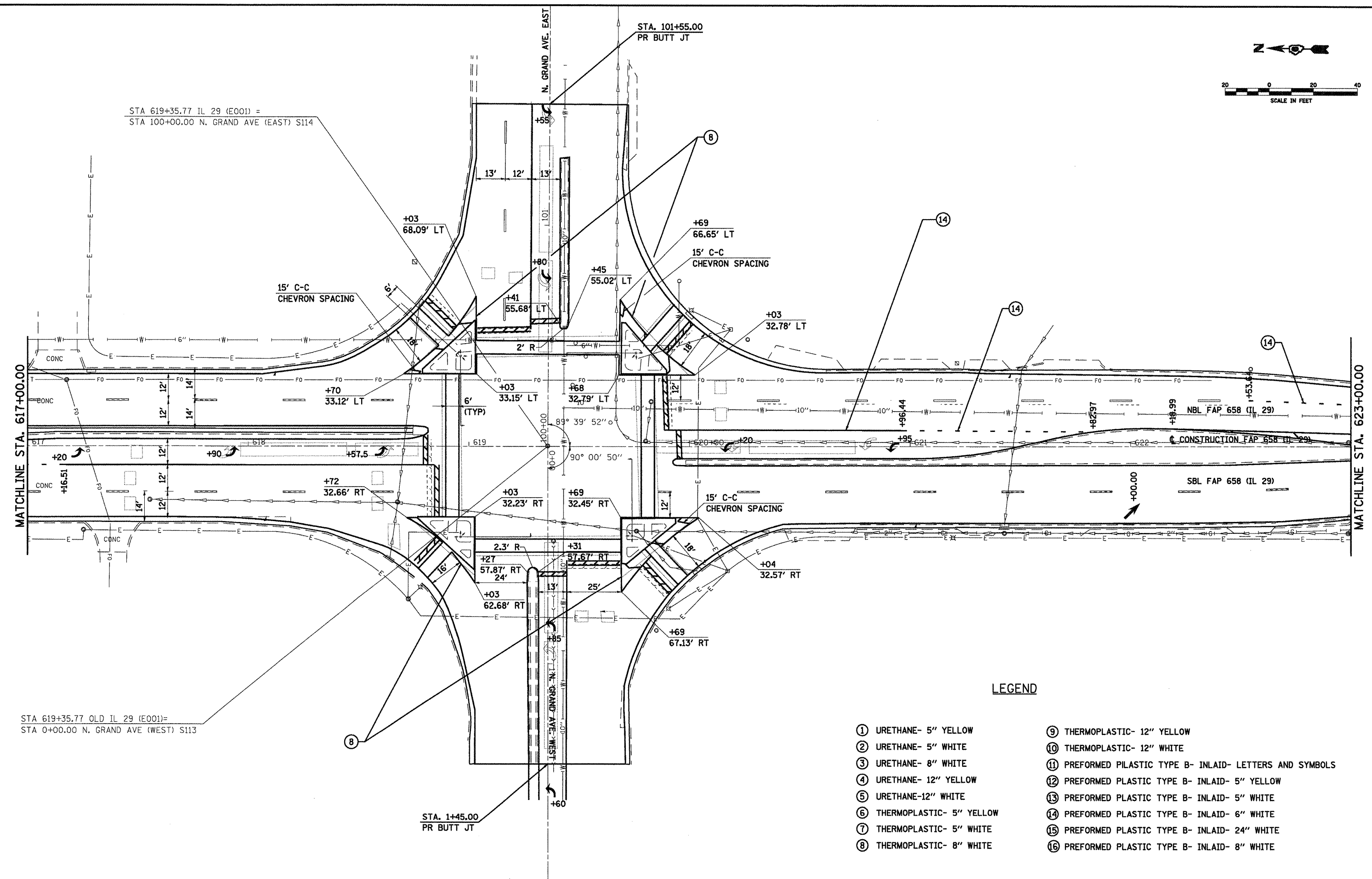
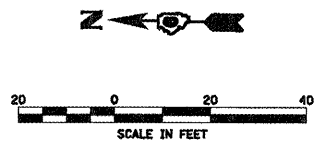


EXIST. CURVE211
 PI STA. =609+76.37
 $\Delta = 3^\circ 57' 01''$ (RT)
 $D = 0^\circ 49' 18''$
 $R = 6,974.12'$
 $T = 240.52'$
 $L = 480.85'$
 $E = 4.15'$
 $e = NC$
 T.R. = -----
 S.E. RUN = -----
 P.C. STA. =607+35.85
 P.T. STA. =612+16.70

LEGEND

- ① URETHANE- 5" YELLOW
- ② URETHANE- 5" WHITE
- ③ URETHANE- 8" WHITE
- ④ URETHANE- 12" YELLOW
- ⑤ URETHANE-12" WHITE
- ⑥ THERMOPLASTIC- 5" YELLOW
- ⑦ THERMOPLASTIC- 5" WHITE
- ⑧ THERMOPLASTIC- 8" WHITE
- ⑨ THERMOPLASTIC- 12" YELLOW
- ⑩ THERMOPLASTIC- 12" WHITE
- ⑪ PREFORMED PLASTIC TYPE B- INLAID- LETTERS AND SYMBOLS
- ⑫ PREFORMED PLASTIC TYPE B- INLAID- 5" YELLOW
- ⑬ PREFORMED PLASTIC TYPE B- INLAID- 5" WHITE
- ⑭ PREFORMED PLASTIC TYPE B- INLAID- 6" WHITE
- ⑮ PREFORMED PLASTIC TYPE B- INLAID- 24" WHITE
- ⑯ PREFORMED PLASTIC TYPE B- INLAID- 8" WHITE

FILE NAME =	USER NAME = laughlinr1	DESIGNED -	REVISED -	STATE OF ILLINOIS DEPARTMENT OF TRANSPORTATION	PLAN SHEET - SECTION "A" (OLD IL 29)	DRAWN -	CHECKED -	DATE -	F.A.P. RTE. 658	SECTION	COUNTY SANGAMON	TOTAL SHEETS 206	SHEET NO. 75	
CONTRACT NO. 72C35	SCALE: 1" = 40'	SHEET NO. 15 OF 24 SHEETS	STA. TO STA.			ILLINOIS FED. AID PROJECT								
CONTRACT NO. 72C35														
* 1-1(RS,TS-127RS-6)79Z&102RS-4														



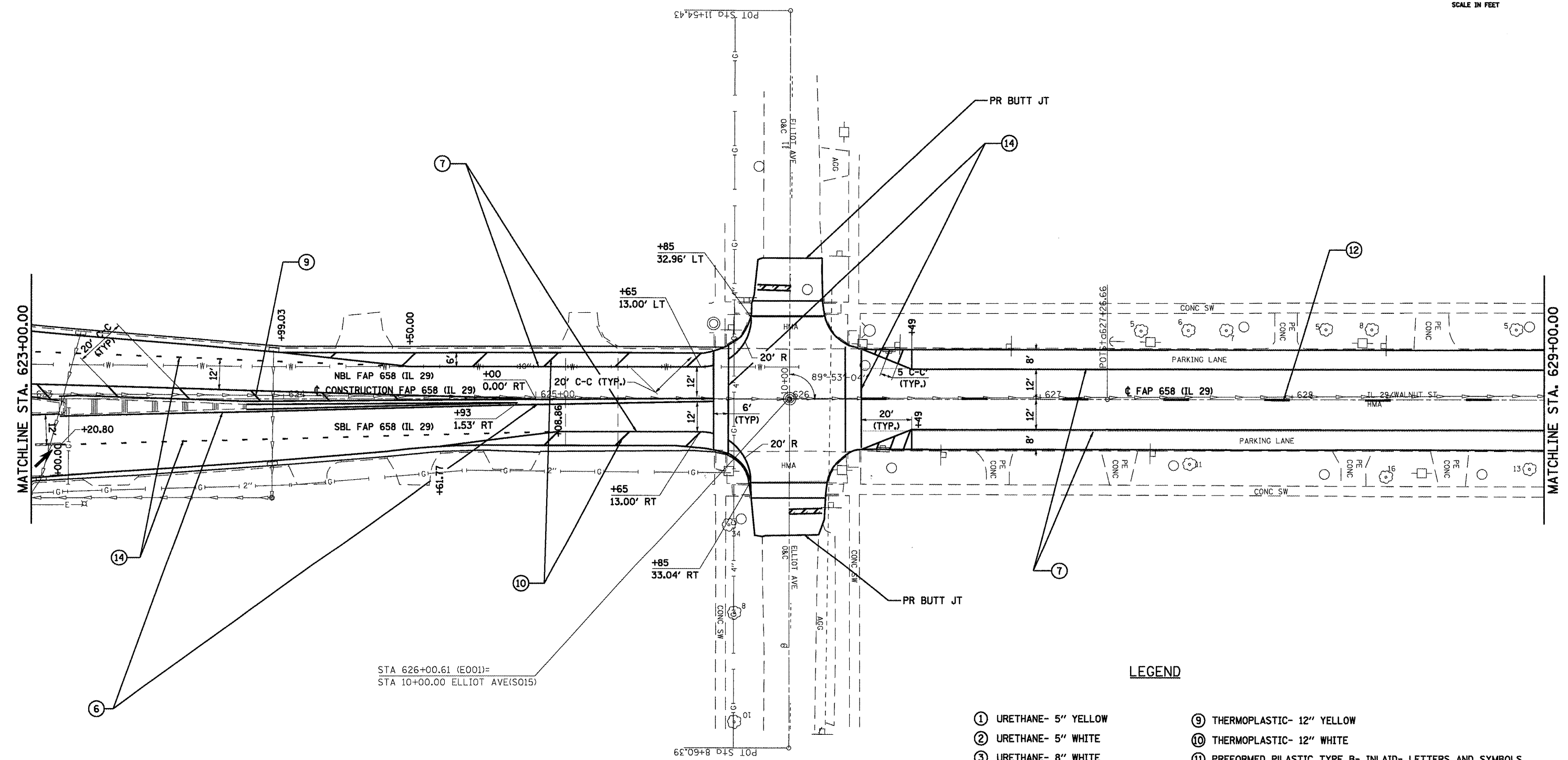
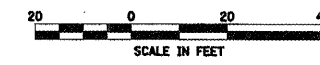
STA 619+35.77 IL 29 (E001) =
STA 100+00.00 N. GRAND AVE (EAST) S114

STA 619+35.77 OLD IL 29 (E001)=
STA 0+00.00 N. GRAND AVE (WEST) S113

LEGEND

- ① URETHANE- 5" YELLOW
- ② URETHANE- 5" WHITE
- ③ URETHANE- 8" WHITE
- ④ URETHANE- 12" YELLOW
- ⑤ URETHANE-12" WHITE
- ⑥ THERMOPLASTIC- 5" YELLOW
- ⑦ THERMOPLASTIC- 5" WHITE
- ⑧ THERMOPLASTIC- 8" WHITE
- ⑨ THERMOPLASTIC- 12" YELLOW
- ⑩ THERMOPLASTIC- 12" WHITE
- ⑪ PREFORMED PLASTIC TYPE B- INLAID- LETTERS AND SYMBOLS
- ⑫ PREFORMED PLASTIC TYPE B- INLAID- 5" YELLOW
- ⑬ PREFORMED PLASTIC TYPE B- INLAID- 5" WHITE
- ⑭ PREFORMED PLASTIC TYPE B- INLAID- 6" WHITE
- ⑮ PREFORMED PLASTIC TYPE B- INLAID- 24" WHITE
- ⑯ PREFORMED PLASTIC TYPE B- INLAID- 8" WHITE

FILE NAME =	USER NAME = laughlinr1	DESIGNED -	REVISED -	STATE OF ILLINOIS DEPARTMENT OF TRANSPORTATION	PLAN SHEET - SECTION "A" (OLD IL 29)	F.A.P. RTE.	SECTION	COUNTY	TOTAL SHEETS	SHEET NO.	
ca:\pw\work\VPWIDOT\LAUGHLINRL\dms47718\672C35-SHT-plan-IL291.dgn	PLT SCALE = 48.0000' / IN.	DRAWN -	REVISED -			658	.	SANGAMON	206	76	
	PLT DATE = Apr-30-2018 11:32:00AM	CHECKED -	REVISED -			CONTRACT NO. 72C35					
		DATE -	REVISED -			ILLINOIS FED. AID PROJECT					

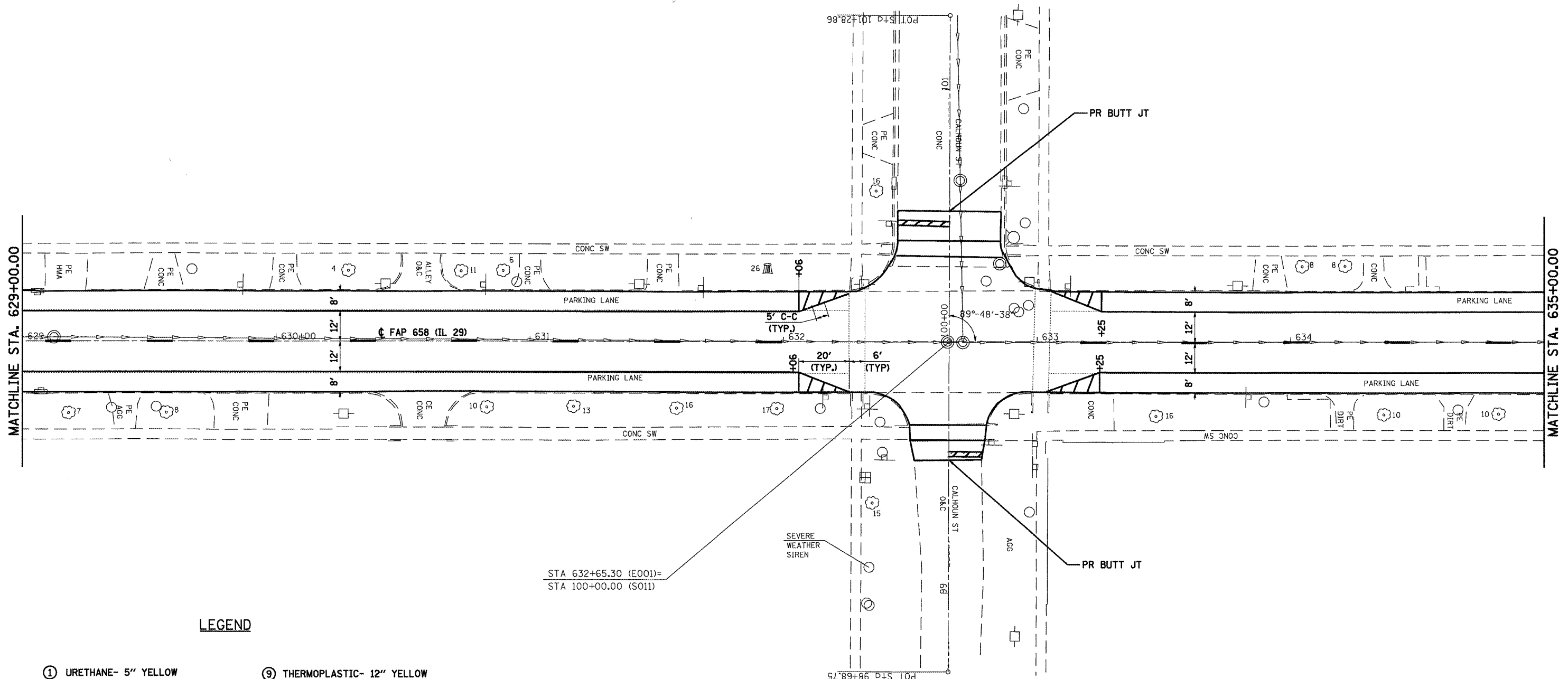
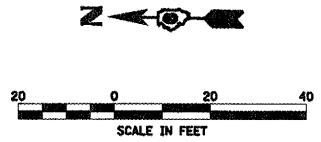


STA 626+00.61 (E001)=
STA 10+00.00 ELLIOT AVE(S015)

LEGEND

- | | |
|----------------------------|---|
| ① URETHANE- 5" YELLOW | ⑨ THERMOPLASTIC- 12" YELLOW |
| ② URETHANE- 5" WHITE | ⑩ THERMOPLASTIC- 12" WHITE |
| ③ URETHANE- 8" WHITE | ⑪ PREFORMED PLASTIC TYPE B- INLAID- LETTERS AND SYMBOLS |
| ④ URETHANE- 12" YELLOW | ⑫ PREFORMED PLASTIC TYPE B- INLAID- 5" YELLOW |
| ⑤ URETHANE-12" WHITE | ⑬ PREFORMED PLASTIC TYPE B- INLAID- 5" WHITE |
| ⑥ THERMOPLASTIC- 5" YELLOW | ⑭ PREFORMED PLASTIC TYPE B- INLAID- 6" WHITE |
| ⑦ THERMOPLASTIC- 5" WHITE | ⑮ PREFORMED PLASTIC TYPE B- INLAID- 24" WHITE |
| ⑧ THERMOPLASTIC- 8" WHITE | ⑯ PREFORMED PLASTIC TYPE B- INLAID- 8" WHITE |

FILE NAME =	USER NAME = laughlinr1	DESIGNED -	REVISED -	STATE OF ILLINOIS DEPARTMENT OF TRANSPORTATION	PLAN SHEET - SECTION "A" (OLD IL 29)	F.A.P. RTE.	SECTION	COUNTY	TOTAL SHEETS	SHEET NO.
er\pwwork\VP\DOT\LAUGHLIN\RL\dms47710\672C35-SHT-plan-IL291.dgn		DRAWN -	REVISED -			658	*	SANGAMON	206	77
	PLOT SCALE = 48.0000" / IN.	CHECKED -	REVISED -			CONTRACT NO. 72C35				
	PLOT DATE = Apr-30-2010 11:32:16AM	DATE -	REVISED -			ILLINOIS FED. AID PROJECT				
					SCALE:	SHEET NO. 17 OF 24 SHEETS	STA.	TO STA.	1-1(RS,TS-127RS-6)792&102RS-4	

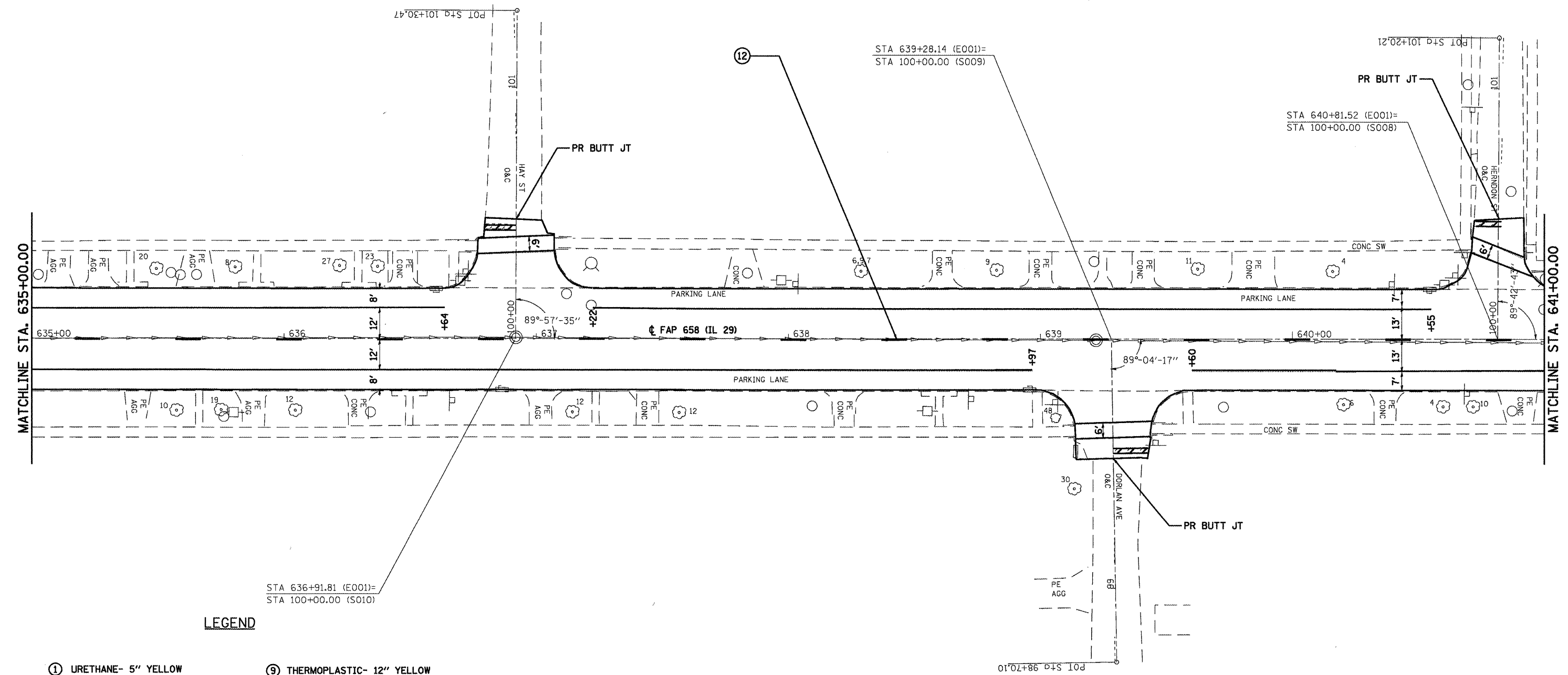
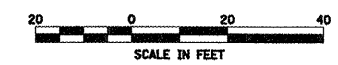


STA 632+65.30 (E001)=
STA 100+00.00 (S011)

LEGEND

- | | |
|----------------------------|---|
| ① URETHANE- 5" YELLOW | ⑨ THERMOPLASTIC- 12" YELLOW |
| ② URETHANE- 5" WHITE | ⑩ THERMOPLASTIC- 12" WHITE |
| ③ URETHANE- 8" WHITE | ⑪ PREFORMED PLASTIC TYPE B- INLAID- LETTERS AND SYMBOLS |
| ④ URETHANE- 12" YELLOW | ⑫ PREFORMED PLASTIC TYPE B- INLAID- 5" YELLOW |
| ⑤ URETHANE-12" WHITE | ⑬ PREFORMED PLASTIC TYPE B- INLAID- 5" WHITE |
| ⑥ THERMOPLASTIC- 5" YELLOW | ⑭ PREFORMED PLASTIC TYPE B- INLAID- 6" WHITE |
| ⑦ THERMOPLASTIC- 5" WHITE | ⑮ PREFORMED PLASTIC TYPE B- INLAID- 24" WHITE |
| ⑧ THERMOPLASTIC- 8" WHITE | ⑯ PREFORMED PLASTIC TYPE B- INLAID- 8" WHITE |

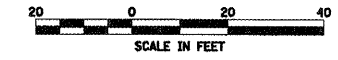
FILE NAME = c:\pwwork\pwwid\DOT\LAUGHLIN\RL\dms47710\...	USER NAME = laughlin	DESIGNED -	REVISED -	STATE OF ILLINOIS DEPARTMENT OF TRANSPORTATION	PLAN SHEET - SECTION "A" (OLD IL 29)		F.A.P. RTE. 658	SECTION .	COUNTY SANGAMON	TOTAL SHEETS 206	SHEET NO. 78	
	PLOT SCALE = 40,0000' / IN.	DRAWN -	REVISED -		SCALE:	SHEET NO. 18 OF 24 SHEETS	STA. TO STA.	CONTRACT NO. 72C35				
	PLOT DATE = Apr-30-2010 11:32:32AM	CHECKED -	REVISED -		ILLINOIS FED. AID PROJECT							
		DATE -	REVISED -		• 1-(RS,TS-1)27RS-6)792&102RS-4							



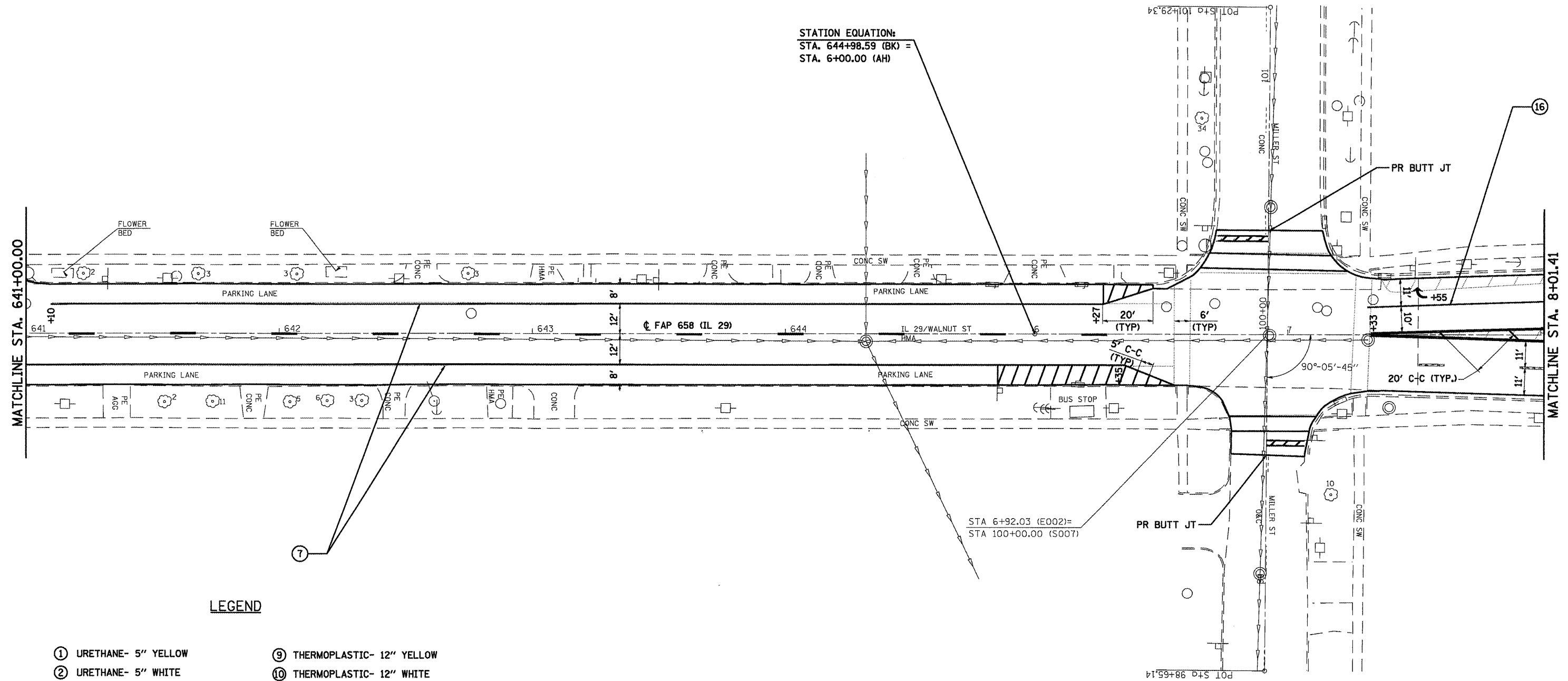
LEGEND

- | | |
|----------------------------|--|
| ① URETHANE- 5" YELLOW | ⑨ THERMOPLASTIC- 12" YELLOW |
| ② URETHANE- 5" WHITE | ⑩ THERMOPLASTIC- 12" WHITE |
| ③ URETHANE- 8" WHITE | ⑪ PREFORMED PILASTIC TYPE B- INLAID- LETTERS AND SYMBOLS |
| ④ URETHANE- 12" YELLOW | ⑫ PREFORMED PLASTIC TYPE B- INLAID- 5" YELLOW |
| ⑤ URETHANE-12" WHITE | ⑬ PREFORMED PLASTIC TYPE B- INLAID- 5" WHITE |
| ⑥ THERMOPLASTIC- 5" YELLOW | ⑭ PREFORMED PLASTIC TYPE B- INLAID- 6" WHITE |
| ⑦ THERMOPLASTIC- 5" WHITE | ⑮ PREFORMED PLASTIC TYPE B- INLAID- 24" WHITE |
| ⑧ THERMOPLASTIC- 8" WHITE | ⑯ PREFORMED PLASTIC TYPE B- INLAID- 8" WHITE |

FILE NAME =	USER NAME = laughlinr1	DESIGNED -	REVISED -	STATE OF ILLINOIS DEPARTMENT OF TRANSPORTATION	PLAN SHEET - SECTION "A" (OLD IL 29)	F.A.P. RTE.	SECTION	COUNTY	TOTAL SHEETS	SHEET NO.	
es:\pwork\pwidot\LAUGHLINRL\dms47710	S72C35-SHT-plan-IL291.dgn	DRAWN -	REVISED -			658	.	SANGAMON	206	79	
	PLOT SCALE = 40.0000' / IN.	CHECKED -	REVISED -			SCALE: SHEET NO. 19 OF 24 SHEETS STA. TO STA.		CONTRACT NO. 72C35			
	PLOT DATE = Apr-30-2010 11:32:47AM	DATE -	REVISED -			ILLINOIS FED. AID PROJECT					



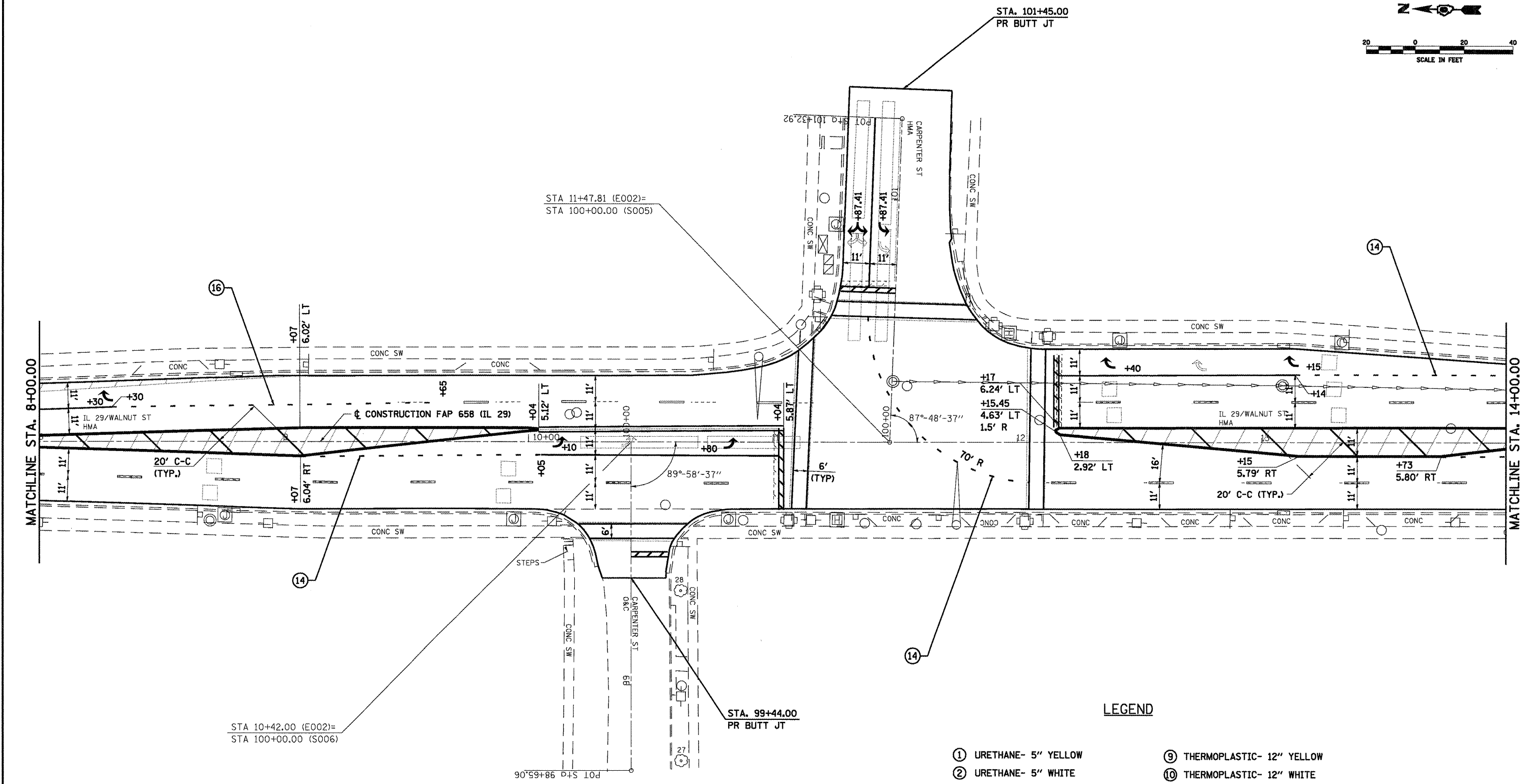
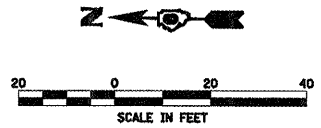
STATION EQUATION:
 STA. 644+98.59 (BK) =
 STA. 6+00.00 (AH)



LEGEND

- | | |
|----------------------------|---|
| ① URETHANE- 5" YELLOW | ⑨ THERMOPLASTIC- 12" YELLOW |
| ② URETHANE- 5" WHITE | ⑩ THERMOPLASTIC- 12" WHITE |
| ③ URETHANE- 8" WHITE | ⑪ PREFORMED PLASTIC TYPE B- INLAID- LETTERS AND SYMBOLS |
| ④ URETHANE- 12" YELLOW | ⑫ PREFORMED PLASTIC TYPE B- INLAID- 5" YELLOW |
| ⑤ URETHANE-12" WHITE | ⑬ PREFORMED PLASTIC TYPE B- INLAID- 5" WHITE |
| ⑥ THERMOPLASTIC- 5" YELLOW | ⑭ PREFORMED PLASTIC TYPE B- INLAID- 6" WHITE |
| ⑦ THERMOPLASTIC- 5" WHITE | ⑮ PREFORMED PLASTIC TYPE B- INLAID- 24" WHITE |
| ⑧ THERMOPLASTIC- 8" WHITE | ⑯ PREFORMED PLASTIC TYPE B- INLAID- 8" WHITE |

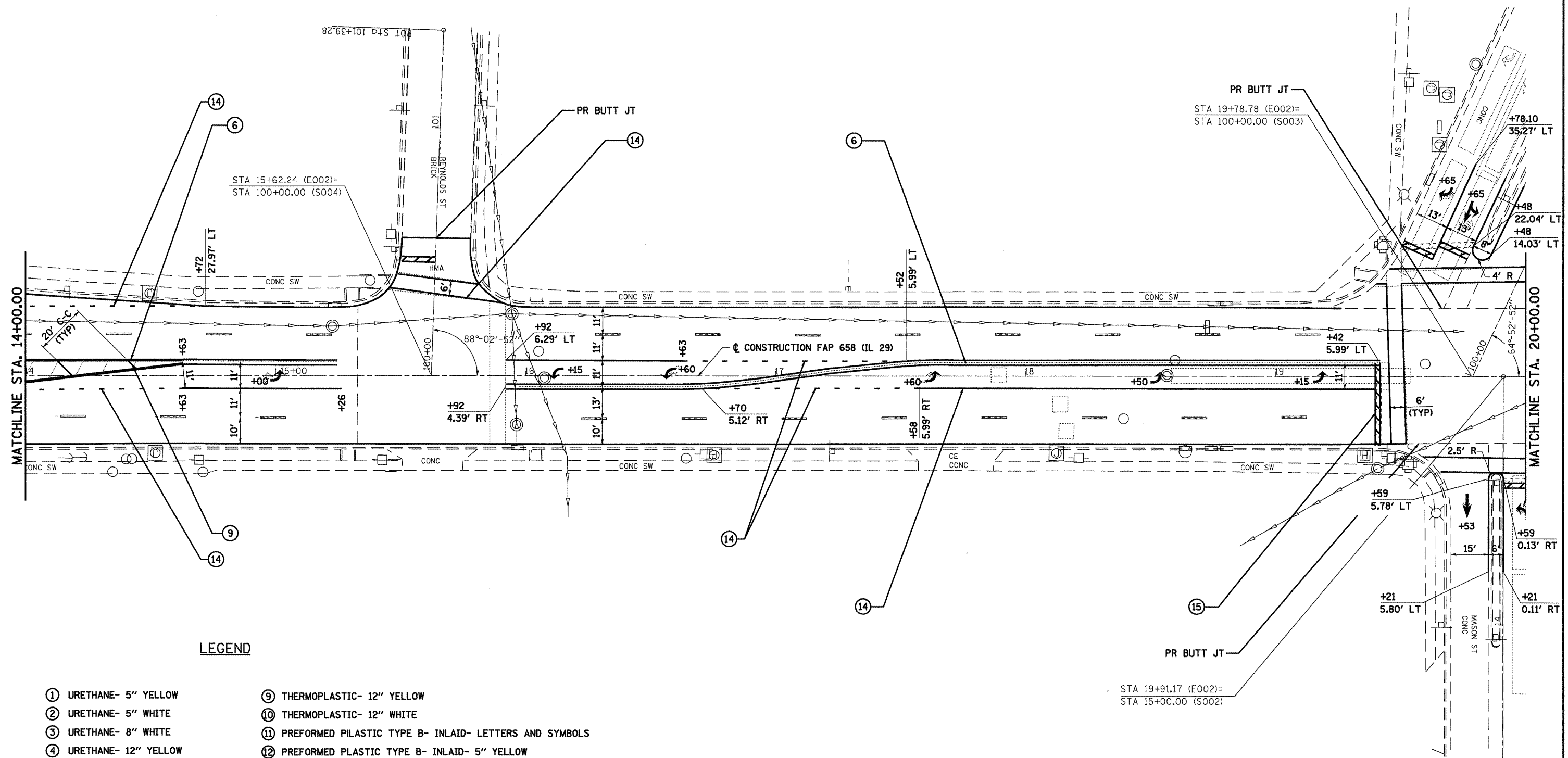
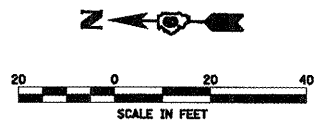
FILE NAME =	USER NAME = laughlinr1	DESIGNED -	REVISED -	STATE OF ILLINOIS DEPARTMENT OF TRANSPORTATION	PLAN SHEET - SECTION "A" (OLD IL 29)	F.A.P. RTE.	SECTION	COUNTY	TOTAL SHEETS	SHEET NO.
er\pwwork\PMWIDOT\LAUGHLINR1\dms47710\6372035-SHT-pln-IL291.dgn	DRAWN -	REVISED -	658			.	SANGAMON	206	80	
PLOT SCALE = 48.0000' / IN.	CHECKED -	REVISED -	CONTRACT NO. 72C35							
PLOT DATE = Apr-30-2010 11:33:01AM	DATE -	REVISED -	SCALE:			SHEET NO. 20 OF 24 SHEETS	STA. TO STA.	ILLINOIS FED. AID PROJECT		



LEGEND

- | | |
|----------------------------|---|
| ① URETHANE- 5" YELLOW | ⑨ THERMOPLASTIC- 12" YELLOW |
| ② URETHANE- 5" WHITE | ⑩ THERMOPLASTIC- 12" WHITE |
| ③ URETHANE- 8" WHITE | ⑪ PREFORMED PLASTIC TYPE B- INLAID- LETTERS AND SYMBOLS |
| ④ URETHANE- 12" YELLOW | ⑫ PREFORMED PLASTIC TYPE B- INLAID- 5" YELLOW |
| ⑤ URETHANE-12" WHITE | ⑬ PREFORMED PLASTIC TYPE B- INLAID- 5" WHITE |
| ⑥ THERMOPLASTIC- 5" YELLOW | ⑭ PREFORMED PLASTIC TYPE B- INLAID- 6" WHITE |
| ⑦ THERMOPLASTIC- 5" WHITE | ⑮ PREFORMED PLASTIC TYPE B- INLAID- 24" WHITE |
| ⑧ THERMOPLASTIC- 8" WHITE | ⑯ PREFORMED PLASTIC TYPE B- INLAID- 8" WHITE |

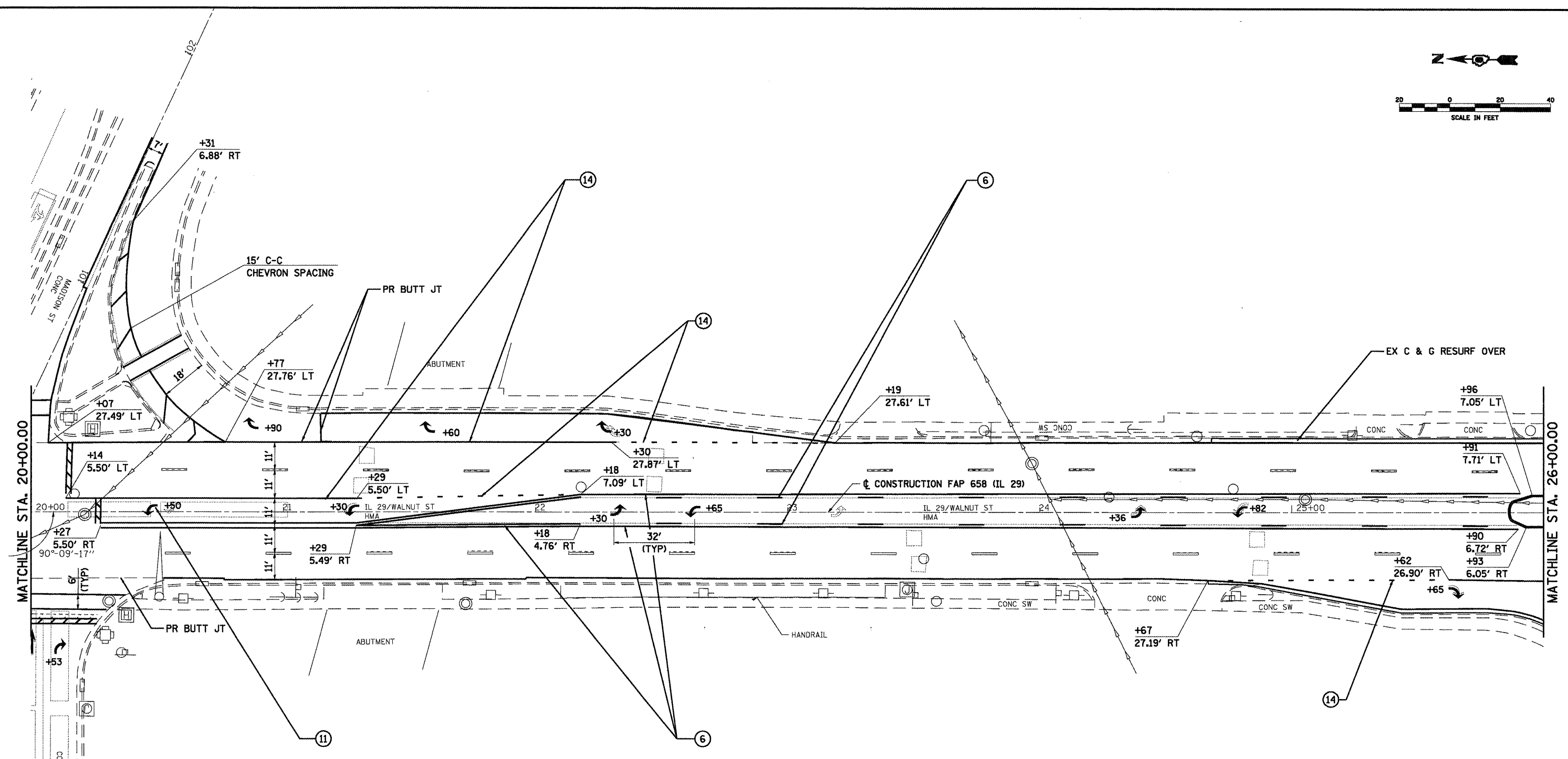
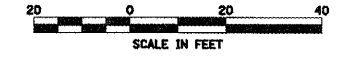
FILE NAME = e:\pwork\pwork\DOT\LAUGHLIN\RL\dms47710\	USER NAME = laughlin1	DESIGNED -	REVISED -	STATE OF ILLINOIS DEPARTMENT OF TRANSPORTATION	PLAN SHEET - SECTION "A" (OLD IL 29)	F.A.P. RTE. 658	SECTION .	COUNTY SANGAMON	TOTAL SHEETS 206	SHEET NO. 81
	PLOT SCALE = 48.0000' / IN.	CHECKED -	REVISED -			CONTRACT NO. 72C35				
	PLOT DATE = Apr-30-2010 11:44:15AM	DATE -	REVISED -			ILLINOIS FED. AID PROJECT				
						SCALE:	SHEET NO. 21 OF 24 SHEETS	STA.	TO STA.	



LEGEND

- | | |
|----------------------------|---|
| ① URETHANE- 5" YELLOW | ⑨ THERMOPLASTIC- 12" YELLOW |
| ② URETHANE- 5" WHITE | ⑩ THERMOPLASTIC- 12" WHITE |
| ③ URETHANE- 8" WHITE | ⑪ PREFORMED PLASTIC TYPE B- INLAID- LETTERS AND SYMBOLS |
| ④ URETHANE- 12" YELLOW | ⑫ PREFORMED PLASTIC TYPE B- INLAID- 5" YELLOW |
| ⑤ URETHANE-12" WHITE | ⑬ PREFORMED PLASTIC TYPE B- INLAID- 5" WHITE |
| ⑥ THERMOPLASTIC- 5" YELLOW | ⑭ PREFORMED PLASTIC TYPE B- INLAID- 6" WHITE |
| ⑦ THERMOPLASTIC- 5" WHITE | ⑮ PREFORMED PLASTIC TYPE B- INLAID- 24" WHITE |
| ⑧ THERMOPLASTIC- 8" WHITE | ⑯ PREFORMED PLASTIC TYPE B- INLAID- 8" WHITE |

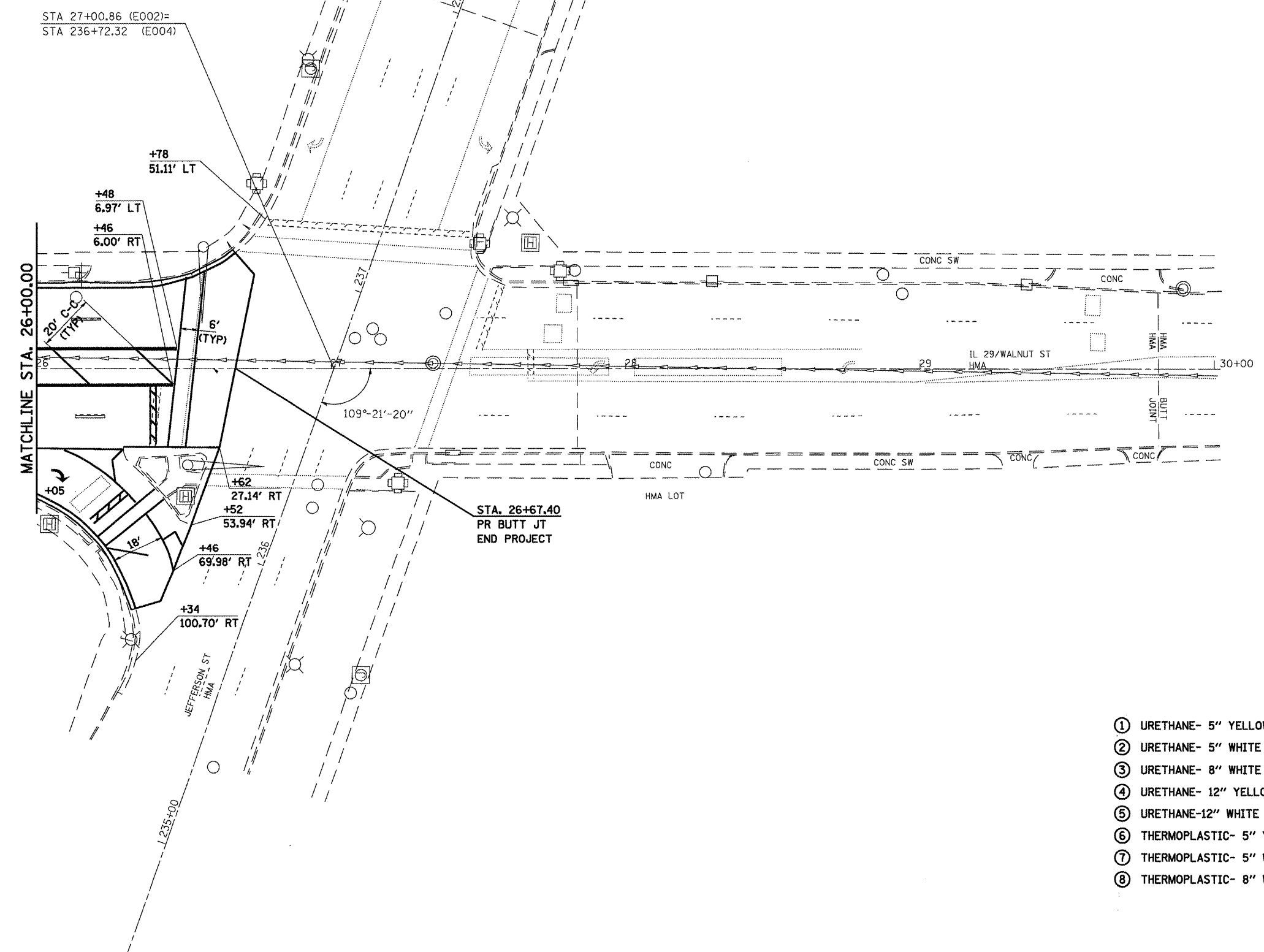
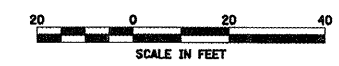
FILE NAME =	USER NAME = laughlinr1	DESIGNED -	REVISED -	STATE OF ILLINOIS DEPARTMENT OF TRANSPORTATION	PLAN SHEET - SECTION "A" (OLD IL 29)	F.A.P. RTE. 658	SECTION	COUNTY	TOTAL SHEETS	SHEET NO.	
es:\pwork\PWIDOT\LAUGHLINR1\dms47718\	672C35-SHT-plan-IL291.dgn	DRAWN -	REVISED -					SANGAMON	206	82	
	PLOT SCALE = 48.0000' / IN.	CHECKED -	REVISED -			CONTRACT NO. 72C35					
	PLOT DATE = Apr-30-2010 11:44:38AM	DATE -	REVISED -			ILLINOIS FED. AID PROJECT					
					SCALE:	SHEET NO. 22 OF 24 SHEETS	STA.	TO STA.			



LEGEND

- | | |
|----------------------------|---|
| ① URETHANE- 5" YELLOW | ⑨ THERMOPLASTIC- 12" YELLOW |
| ② URETHANE- 5" WHITE | ⑩ THERMOPLASTIC- 12" WHITE |
| ③ URETHANE- 8" WHITE | ⑪ PREFORMED PLASTIC TYPE B- INLAID- LETTERS AND SYMBOLS |
| ④ URETHANE- 12" YELLOW | ⑫ PREFORMED PLASTIC TYPE B- INLAID- 5" YELLOW |
| ⑤ URETHANE-12" WHITE | ⑬ PREFORMED PLASTIC TYPE B- INLAID- 5" WHITE |
| ⑥ THERMOPLASTIC- 5" YELLOW | ⑭ PREFORMED PLASTIC TYPE B- INLAID- 6" WHITE |
| ⑦ THERMOPLASTIC- 5" WHITE | ⑮ PREFORMED PLASTIC TYPE B- INLAID- 24" WHITE |
| ⑧ THERMOPLASTIC- 8" WHITE | ⑯ PREFORMED PLASTIC TYPE B- INLAID- 8" WHITE |

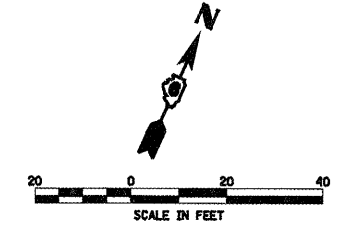
FILE NAME =	USER NAME = laughlinn1	DESIGNED -	REVISED -	STATE OF ILLINOIS DEPARTMENT OF TRANSPORTATION	PLAN SHEET - SECTION "A" (OLD IL 29)	F.A.P. RTE. 658	SECTION *	COUNTY SANGAMON	TOTAL SHEETS 206	SHEET NO. 83	
ei\pw-work\pwidot\LAUGHLINRL\dms47710\672C35-SHT-plan-IL291.dgn	PLOT SCALE = 40.0000' / IN.	DRAWN -	REVISED -			SCALE:	SHEET NO. 23 OF 24 SHEETS	STA.	TO STA.	CONTRACT NO. 72C35	
PLOT DATE = Apr-30-2010 11:44:45AM	DATE -	CHECKED -	REVISED -			ILLINOIS FED. AID PROJECT					
						1-1(RS,TS-1127RS-6)79Z&102RS-4					



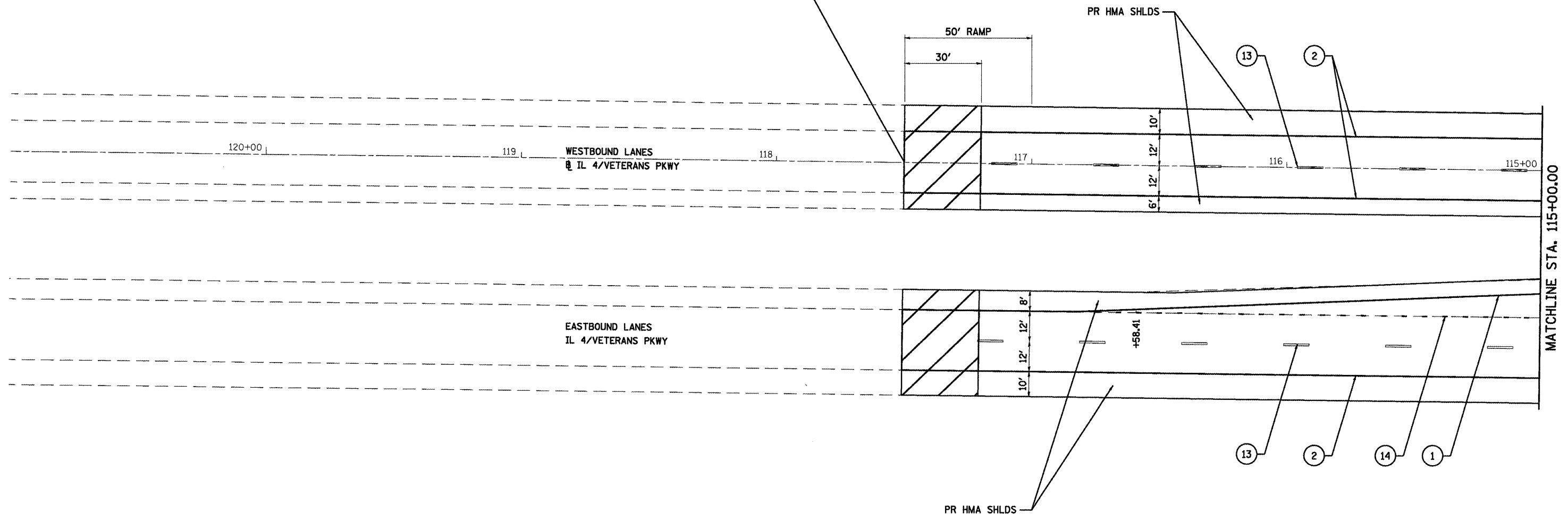
LEGEND

- | | |
|----------------------------|---|
| ① URETHANE- 5" YELLOW | ⑨ THERMOPLASTIC- 12" YELLOW |
| ② URETHANE- 5" WHITE | ⑩ THERMOPLASTIC- 12" WHITE |
| ③ URETHANE- 8" WHITE | ⑪ PREFORMED PLASTIC TYPE B- INLAID- LETTERS AND SYMBOLS |
| ④ URETHANE- 12" YELLOW | ⑫ PREFORMED PLASTIC TYPE B- INLAID- 5" YELLOW |
| ⑤ URETHANE-12" WHITE | ⑬ PREFORMED PLASTIC TYPE B- INLAID- 5" WHITE |
| ⑥ THERMOPLASTIC- 5" YELLOW | ⑭ PREFORMED PLASTIC TYPE B- INLAID- 6" WHITE |
| ⑦ THERMOPLASTIC- 5" WHITE | ⑮ PREFORMED PLASTIC TYPE B- INLAID- 24" WHITE |
| ⑧ THERMOPLASTIC- 8" WHITE | ⑯ PREFORMED PLASTIC TYPE B- INLAID- 8" WHITE |

FILE NAME =	USER NAME = laughl1n1	DESIGNED -	REVISED -	STATE OF ILLINOIS DEPARTMENT OF TRANSPORTATION	PLAN SHEET - SECTION "A" (OLD IL 29)	F.A.P. RTE. 658	SECTION •	COUNTY SANGAMON	TOTAL SHEETS 206	SHEET NO. 84		
ca:\pwwork\pwwid\LAUGHLIN\LDms47710\72C35-SHT-plan-IL291.dgn	PLOT SCALE = 40.0000 1/4" IN.	DRAWN -	REVISED -			SCALE:	SHEET NO. 24 OF 24 SHEETS	STA.	TO STA.	ILLINOIS FED. AID PROJECT		
	PLOT DATE = Apr-30-2010 11:45:01AM	CHECKED -	REVISED -			CONTRACT NO. 72C35						
		DATE -	REVISED -			1-1(RS,TS-1)27RS-6;79Z&102RS-4						



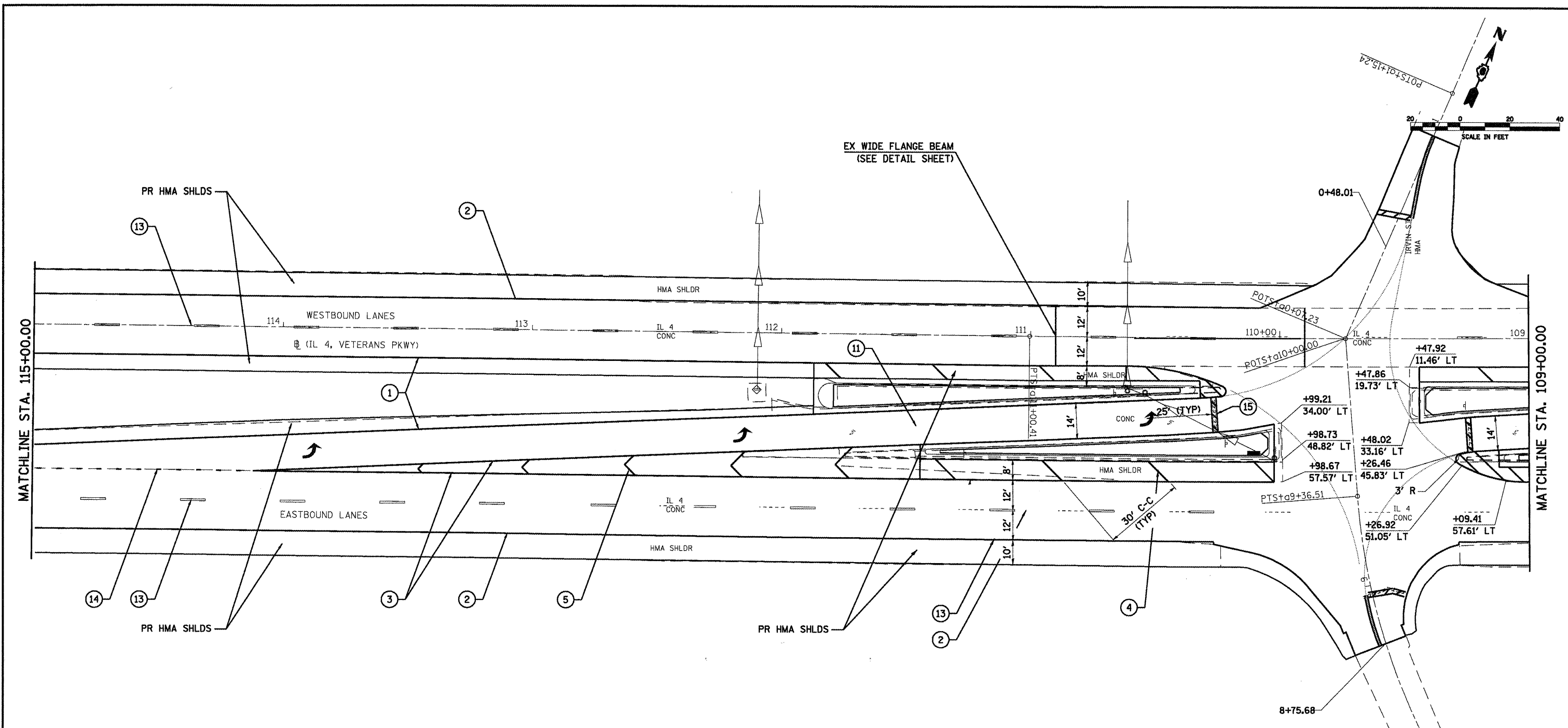
BEGIN PROJECT
 STA 117+50.00
 PR BUTT JT (PCC)
 (SEE DETAILS)



LEGEND

- | | |
|----------------------------|---|
| ① URETHANE- 5" YELLOW | ⑨ THERMOPLASTIC- 12" YELLOW |
| ② URETHANE- 5" WHITE | ⑩ THERMOPLASTIC- 12" WHITE |
| ③ URETHANE- 8" WHITE | ⑪ PREFORMED PLASTIC TYPE B- INLAID- LETTERS AND SYMBOLS |
| ④ URETHANE- 12" YELLOW | ⑫ PREFORMED PLASTIC TYPE B- INLAID - 5" YELLOW |
| ⑤ URETHANE-12" WHITE | ⑬ PREFORMED PLASTIC TYPE B- INLAID - 5" WHITE |
| ⑥ THERMOPLASTIC- 5" YELLOW | ⑭ PREFORMED PLASTIC TYPE B- INLAID - 6" WHITE |
| ⑦ THERMOPLASTIC- 5" WHITE | ⑮ PREFORMED PLASTIC TYPE B- INLAID - 24" WHITE |
| ⑧ THERMOPLASTIC- 8" WHITE | |

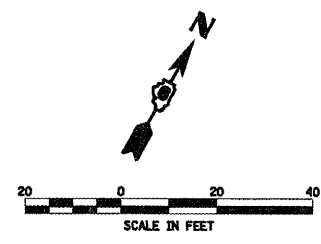
FILE NAME =	USER NAME = laughlinr1	DESIGNED -	REVISED -	STATE OF ILLINOIS DEPARTMENT OF TRANSPORTATION	PLAN VIEW - SECTION "B" (IL 4 /VETERANS PKWY)	F.A.P. RTE. 658	SECTION •	COUNTY SANGAMON	TOTAL SHEETS 206	SHEET NO. 85		
ca:\pwwork\PMIDOT\LAUGHLINRL\dms47710\0872C35-shtplan-14.dgn	PLOT SCALE = 48.0000' / IN.	DRAWN -	REVISED -			SCALE:	SHEET NO. 1 OF 20 SHEETS	STA.	TO STA.	CONTRACT NO. 72C35		
	PLOT DATE = Apr-30-2010 02:32:08PM	CHECKED -	REVISED -			ILLINOIS FED. AID PROJECT						
		DATE -	REVISED -			• 1-(RS,TS-127RS-6)79Z&102RS-4						



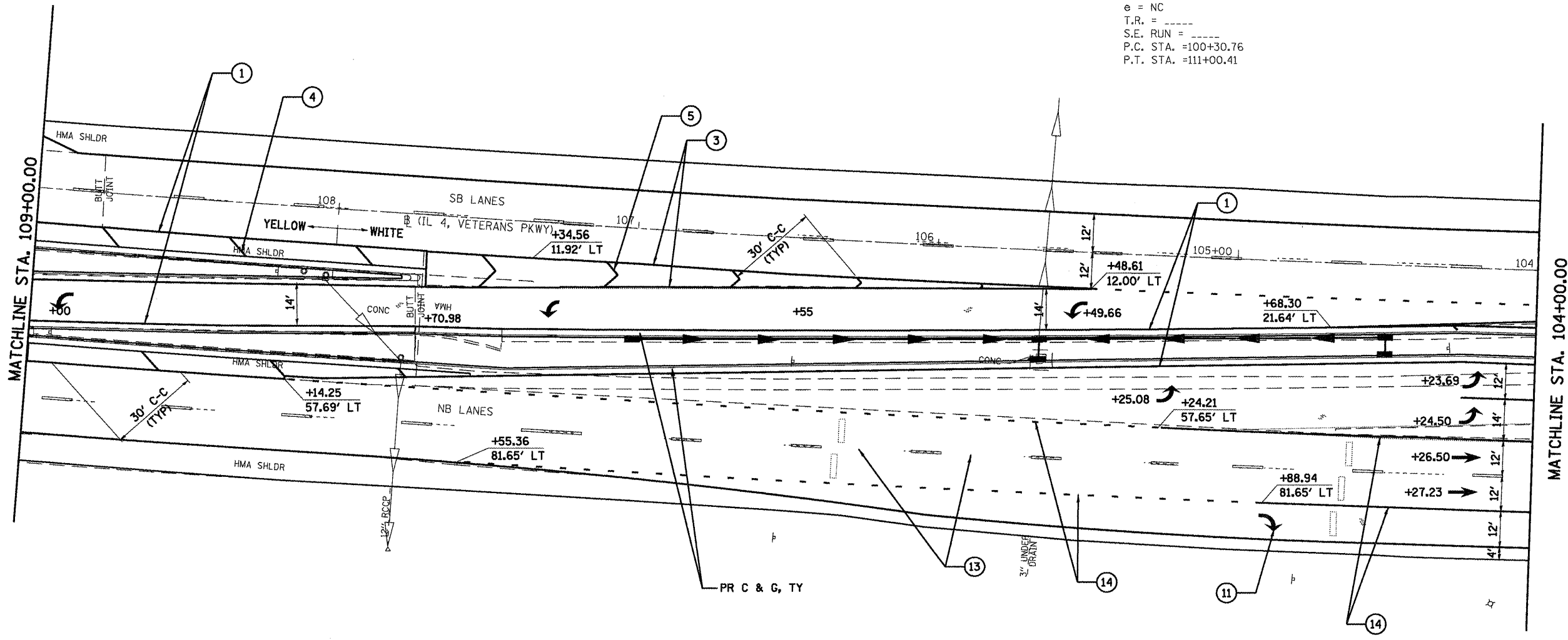
LEGEND

- ① URETHANE- 5" YELLOW
- ② URETHANE- 5" WHITE
- ③ URETHANE- 8" WHITE
- ④ URETHANE- 12" YELLOW
- ⑤ URETHANE-12" WHITE
- ⑥ THERMOPLASTIC- 5" YELLOW
- ⑦ THERMOPLASTIC- 5" WHITE
- ⑧ THERMOPLASTIC- 8" WHITE
- ⑨ THERMOPLASTIC- 12" YELLOW
- ⑩ THERMOPLASTIC- 12" WHITE
- ⑪ PREFORMED PLASTIC TYPE B- INLAID- LETTERS AND SYMBOLS
- ⑫ PREFORMED PLASTIC TYPE B- INLAID - 5" YELLOW
- ⑬ PREFORMED PLASTIC TYPE B- INLAID - 5" WHITE
- ⑭ PREFORMED PLASTIC TYPE B- INLAID - 6" WHITE
- ⑮ PREFORMED PLASTIC TYPE B- INLAID - 24" WHITE

FILE NAME =	USER NAME = laughlinr1	DESIGNED -	REVISED -	STATE OF ILLINOIS DEPARTMENT OF TRANSPORTATION	PLAN VIEW - SECTION "B" (IL 4 /VETERANS PKWY)	F.A.P. RTE.	SECTION	COUNTY	TOTAL SHEETS	SHEET NO.	
ca:\pwwork\pwidot\LAUGHLINRL\dms47710\672C35-shdplan-14.dgn		DRAWN -	REVISED -			658	.	SANGAMON	206	86	
	PLOT SCALE = 48.0000' / IN.	CHECKED -	REVISED -			CONTRACT NO. 72C35					
	PLOT DATE = Apr-30-2010 02:32:14PM	DATE -	REVISED -			ILLINOIS FED. AID PROJECT					



EXIST. CURVE42
 PI STA. =105+65.96
 Δ =5° 16' 40" (RT)
 D =0° 29' 36"
 R =11,612.23'
 T =535.20'
 L =1,069.65'
 E =12.33'
 e = NC
 T.R. = -----
 S.E. RUN = -----
 P.C. STA. =100+30.76
 P.T. STA. =111+00.41

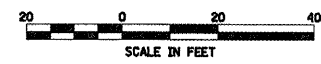


LEGEND

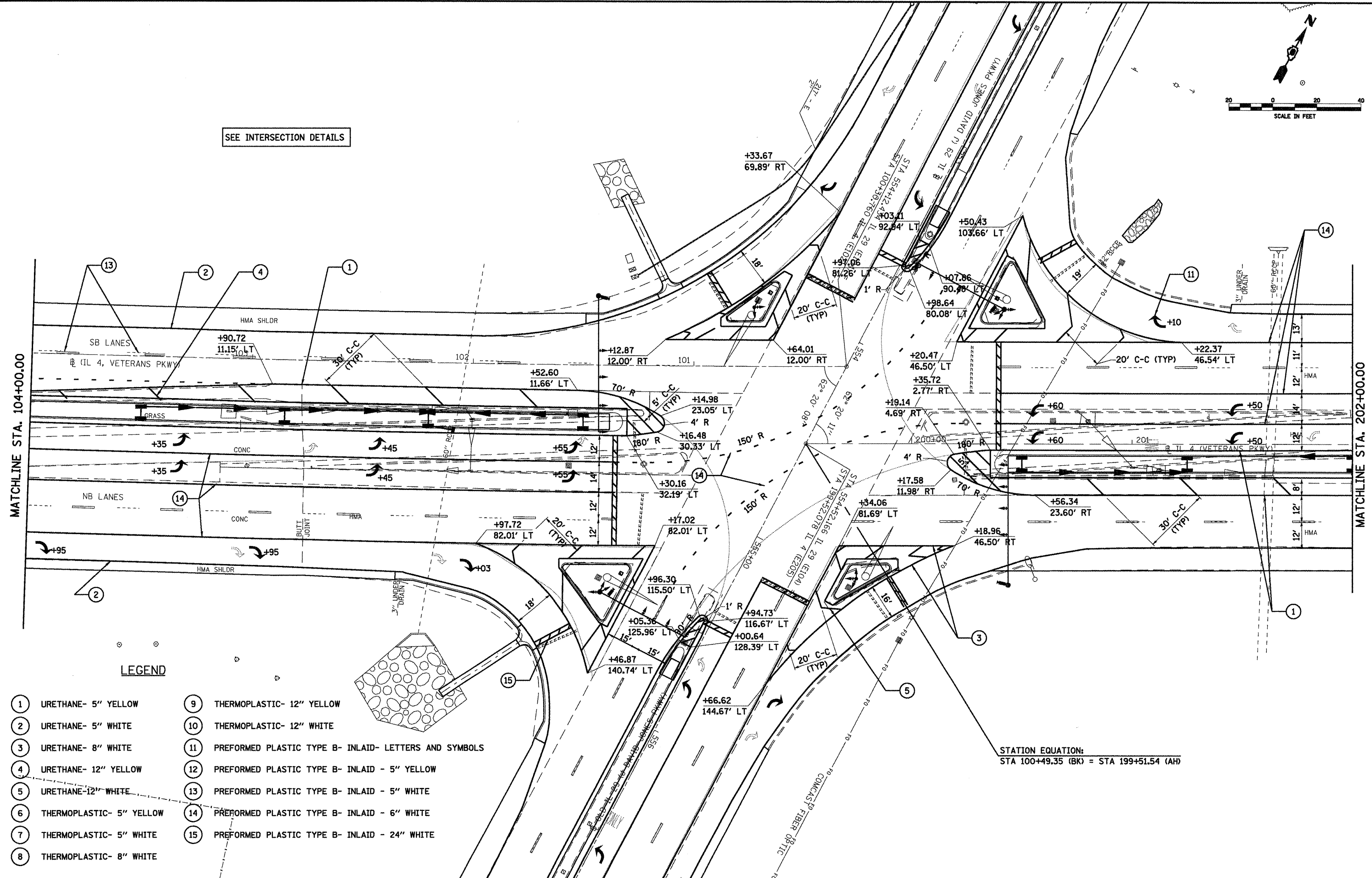
- ① URETHANE- 5" YELLOW
- ② URETHANE- 5" WHITE
- ③ URETHANE- 8" WHITE
- ④ URETHANE- 12" YELLOW
- ⑤ URETHANE-12" WHITE
- ⑥ THERMOPLASTIC- 5" YELLOW
- ⑦ THERMOPLASTIC- 5" WHITE
- ⑧ THERMOPLASTIC- 8" WHITE
- ⑨ THERMOPLASTIC- 12" YELLOW
- ⑩ THERMOPLASTIC- 12" WHITE
- ⑪ PREFORMED PLASTIC TYPE B- INLAID- LETTERS AND SYMBOLS
- ⑫ PREFORMED PLASTIC TYPE B- INLAID - 5" YELLOW
- ⑬ PREFORMED PLASTIC TYPE B- INLAID - 5" WHITE
- ⑭ PREFORMED PLASTIC TYPE B- INLAID - 6" WHITE
- ⑮ PREFORMED PLASTIC TYPE B- INLAID - 24" WHITE

SEE INTERSECTION DETAILS

FILE NAME =	USER NAME = leughl1n1	DESIGNED -	REVISED -	STATE OF ILLINOIS DEPARTMENT OF TRANSPORTATION	PLAN VIEW - SECTION "B" (IL 4 /VETERANS PKWY)	F.A.P. RTE. 658	SECTION	COUNTY	TOTAL SHEETS	SHEET NO.	
		DRAWN -	REVISED -					SANGAMON	206	87	
		CHECKED -	REVISED -			SCALE:	SHEET NO. 3 OF 20 SHEETS	STA.	TO STA.	CONTRACT NO. 72C35	
		DATE -	REVISED -			ILLINOIS FED. AID PROJECT					



SEE INTERSECTION DETAILS



MATCHLINE STA. 104+00.00

MATCHLINE STA. 202+00.00

LEGEND

- | | |
|----------------------------|---|
| ① URETHANE- 5" YELLOW | ⑨ THERMOPLASTIC- 12" YELLOW |
| ② URETHANE- 5" WHITE | ⑩ THERMOPLASTIC- 12" WHITE |
| ③ URETHANE- 8" WHITE | ⑪ PREFORMED PLASTIC TYPE B- INLAID- LETTERS AND SYMBOLS |
| ④ URETHANE- 12" YELLOW | ⑫ PREFORMED PLASTIC TYPE B- INLAID - 5" YELLOW |
| ⑤ URETHANE-12" WHITE | ⑬ PREFORMED PLASTIC TYPE B- INLAID - 5" WHITE |
| ⑥ THERMOPLASTIC- 5" YELLOW | ⑭ PREFORMED PLASTIC TYPE B- INLAID - 6" WHITE |
| ⑦ THERMOPLASTIC- 5" WHITE | ⑮ PREFORMED PLASTIC TYPE B- INLAID - 24" WHITE |
| ⑧ THERMOPLASTIC- 8" WHITE | |

STATION EQUATION:
STA 100+49.35 (BK) = STA 199+51.54 (AH)

**STATE OF ILLINOIS
DEPARTMENT OF TRANSPORTATION**

PLAN VIEW - SECTION "B" (IL 4/VETERANS PKWY)

FILE NAME =
c:\p\work\p\WIDOT\LAUGHLINRL\dms47710\372C35-shp\plan14.dgn

USER NAME = laughlinr1
PLLOT SCALE = 40.0000' / IN.
PLLOT DATE = Apr-30-2010 02:32:27PM

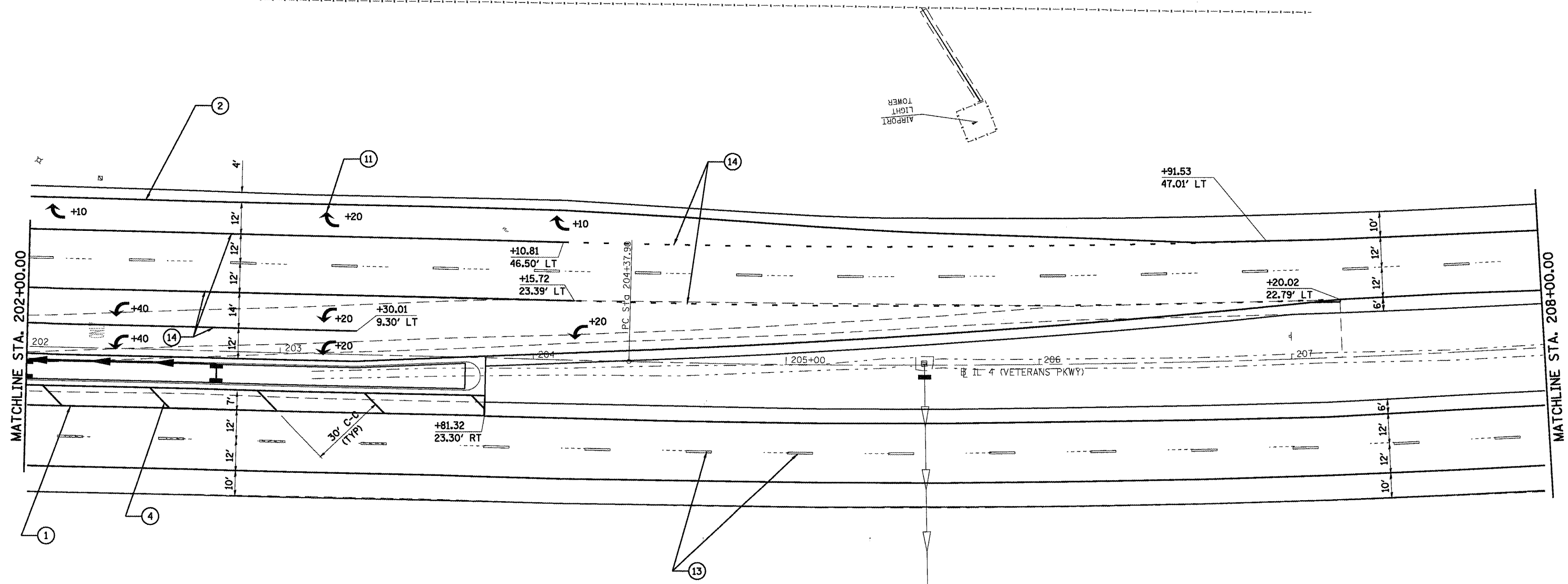
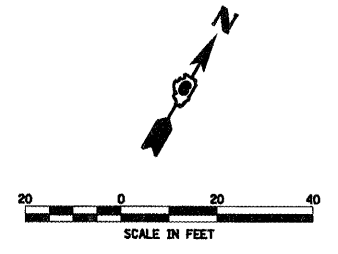
DESIGNED -	REVISED -
DRAWN -	REVISED -
CHECKED -	REVISED -
DATE -	REVISED -

SCALE:	SHEET NO. 4 OF 20 SHEETS	STA.	TO STA.
--------	--------------------------	------	---------

F.A.P. RTE.	SECTION	COUNTY	TOTAL SHEETS	SHEET NO.
658	*	SANGAMON	206	88
CONTRACT NO. 72C35				

ILLINOIS FED. AID PROJECT

1-1(RS,TS-127RS-6)79Z&102RS-4



LEGEND

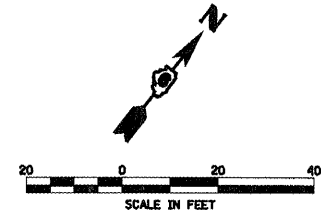
- | | |
|----------------------------|---|
| ① URETHANE- 5" YELLOW | ⑨ THERMOPLASTIC- 12" YELLOW |
| ② URETHANE- 5" WHITE | ⑩ THERMOPLASTIC- 12" WHITE |
| ③ URETHANE- 8" WHITE | ⑪ PREFORMED PLASTIC TYPE B- INLAID- LETTERS AND SYMBOLS |
| ④ URETHANE- 12" YELLOW | ⑫ PREFORMED PLASTIC TYPE B- INLAID - 5" YELLOW |
| ⑤ URETHANE-12" WHITE | ⑬ PREFORMED PLASTIC TYPE B- INLAID - 5" WHITE |
| ⑥ THERMOPLASTIC- 5" YELLOW | ⑭ PREFORMED PLASTIC TYPE B- INLAID - 6" WHITE |
| ⑦ THERMOPLASTIC- 5" WHITE | ⑮ PREFORMED PLASTIC TYPE B- INLAID - 24" WHITE |
| ⑧ THERMOPLASTIC- 8" WHITE | |

SEE INTERSECTION DETAILS

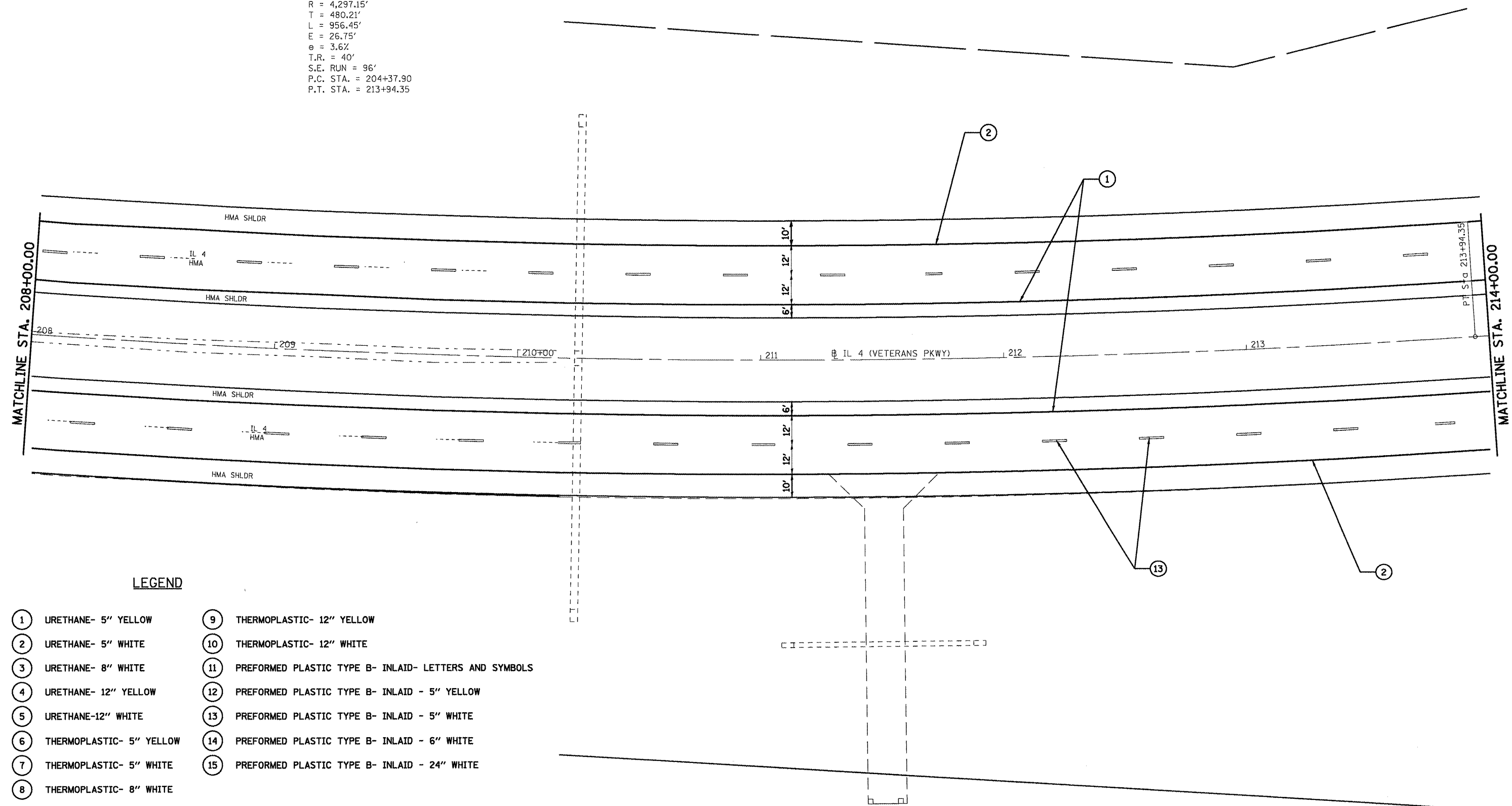
**STATE OF ILLINOIS
DEPARTMENT OF TRANSPORTATION**

PLAN VIEW - SECTION "B" (IL 4 /VETERANS PKWY)

FILE NAME =	USER NAME = laughlinr1	DESIGNED -	REVISED -	<table border="1"> <thead> <tr> <th>F.A.P. RTE.</th> <th>SECTION</th> <th>COUNTY</th> <th>TOTAL SHEETS</th> <th>SHEET NO.</th> </tr> </thead> <tbody> <tr> <td>658</td> <td>.</td> <td>SANGAMON</td> <td>206</td> <td>89</td> </tr> <tr> <td colspan="5">CONTRACT NO. T2C35</td> </tr> <tr> <td colspan="5">ILLINOIS FED. AID PROJECT</td> </tr> </tbody> </table>	F.A.P. RTE.	SECTION	COUNTY	TOTAL SHEETS	SHEET NO.	658	.	SANGAMON	206	89	CONTRACT NO. T2C35					ILLINOIS FED. AID PROJECT				
F.A.P. RTE.	SECTION	COUNTY	TOTAL SHEETS		SHEET NO.																			
658	.	SANGAMON	206		89																			
CONTRACT NO. T2C35																								
ILLINOIS FED. AID PROJECT																								
ca:\p\work\p\WIDOT\LAUGHLINRL\dms47718\072C35-shp1enr14.dgn		DRAWN -	REVISED -																					
PLOT SCALE = 40.0000' / IN.		CHECKED -	REVISED -																					
PLOT DATE = Apr-30-2010 02:32:33PM		DATE -	REVISED -																					
SCALE: SHEET NO. 5 OF 20 SHEETS STA. TO STA.																								



EXIST. CURVE 10
 PI STA. = 209+18.11
 $\Delta = 12^\circ 45' 10''$ (LT)
 $D = 1^\circ 20' 00''$
 $R = 4,297.15'$
 $T = 480.21'$
 $L = 956.45'$
 $E = 26.75'$
 $\theta = 3.6\%$
 $T.R. = 40'$
 $S.E. RUN = 96'$
 $P.C. STA. = 204+37.90$
 $P.T. STA. = 213+94.35$



LEGEND

- | | |
|----------------------------|---|
| ① URETHANE- 5" YELLOW | ⑨ THERMOPLASTIC- 12" YELLOW |
| ② URETHANE- 5" WHITE | ⑩ THERMOPLASTIC- 12" WHITE |
| ③ URETHANE- 8" WHITE | ⑪ PREFORMED PLASTIC TYPE B- INLAID- LETTERS AND SYMBOLS |
| ④ URETHANE- 12" YELLOW | ⑫ PREFORMED PLASTIC TYPE B- INLAID - 5" YELLOW |
| ⑤ URETHANE-12" WHITE | ⑬ PREFORMED PLASTIC TYPE B- INLAID - 5" WHITE |
| ⑥ THERMOPLASTIC- 5" YELLOW | ⑭ PREFORMED PLASTIC TYPE B- INLAID - 6" WHITE |
| ⑦ THERMOPLASTIC- 5" WHITE | ⑮ PREFORMED PLASTIC TYPE B- INLAID - 24" WHITE |
| ⑧ THERMOPLASTIC- 8" WHITE | |

FILE NAME =	USER NAME = leughlinr1	DESIGNED -	REVISED -
ca\pwwork\pwwid\LAUGHLINRL\dms47718\0372C35-shiplan-14.dgn		DRAWN -	REVISED -
	PLLOT SCALE = 40.0000' / IN.	CHECKED -	REVISED -
	PLLOT DATE = Apr-30-2010 02:32:40PM	DATE -	REVISED -

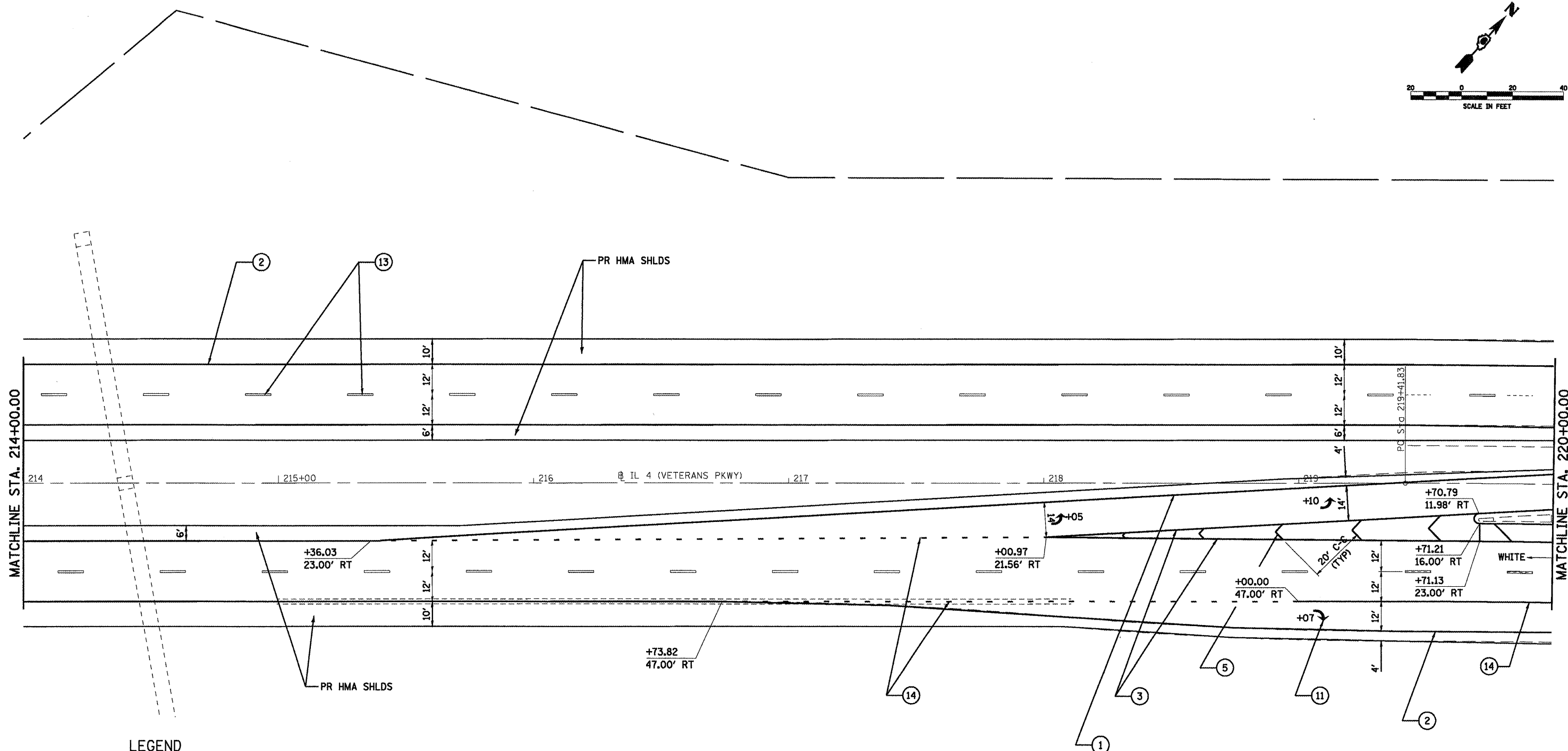
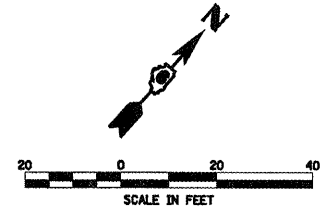
**STATE OF ILLINOIS
 DEPARTMENT OF TRANSPORTATION**

PLAN VIEW - SECTION "B" (IL 4 /VETERANS PKWY)

SCALE: SHEET NO. 6 OF 20 SHEETS STA. TO STA.

F.A.P. RTE. 658	SECTION *	COUNTY SANGAMON	TOTAL SHEETS 206	SHEET NO. 90
CONTRACT NO. 72C35			ILLINOIS FED. AID PROJECT	

* 1-1(RS,TS-1127RS-6,79Z&102RS-4



LEGEND

- ① URETHANE- 5" YELLOW
- ② URETHANE- 5" WHITE
- ③ URETHANE- 8" WHITE
- ④ URETHANE- 12" YELLOW
- ⑤ URETHANE-12" WHITE
- ⑥ THERMOPLASTIC- 5" YELLOW
- ⑦ THERMOPLASTIC- 5" WHITE
- ⑧ THERMOPLASTIC- 8" WHITE
- ⑨ THERMOPLASTIC- 12" YELLOW
- ⑩ THERMOPLASTIC- 12" WHITE
- ⑪ PREFORMED PLASTIC TYPE B- INLAID- LETTERS AND SYMBOLS
- ⑫ PREFORMED PLASTIC TYPE B- INLAID - 5" YELLOW
- ⑬ PREFORMED PLASTIC TYPE B- INLAID - 5" WHITE
- ⑭ PREFORMED PLASTIC TYPE B- INLAID - 6" WHITE
- ⑮ PREFORMED PLASTIC TYPE B- INLAID - 24" WHITE

FILE NAME =	USER NAME = laughlinc1	DESIGNED -	REVISED -
ca\pwwork\NPWIDOT\LAUGHLINRL\dms47710\672C35-shiplan-14.dgn		DRAWN -	REVISED -
		CHECKED -	REVISED -
		DATE -	REVISED -
PLOT SCALE = 40.0000' / IN.			
PLOT DATE = Apr-30-2010 02:32:46PM			

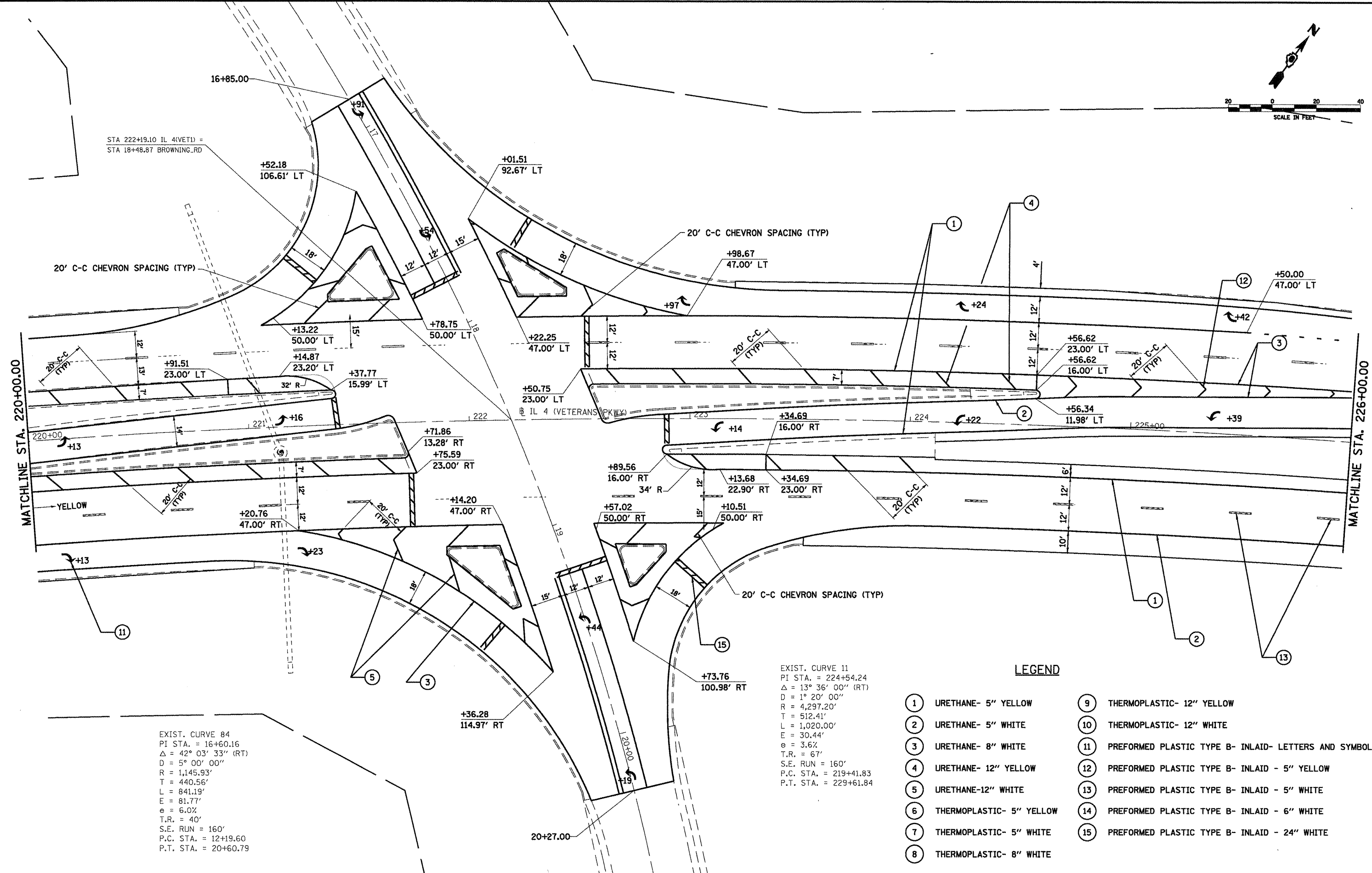
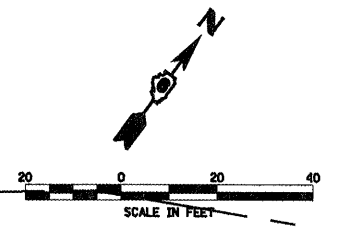
**STATE OF ILLINOIS
DEPARTMENT OF TRANSPORTATION**

PLAN VIEW - SECTION "B" (IL 4 /VETERANS PKWY)

SCALE: SHEET NO. 7 OF 20 SHEETS STA. TO STA.

F.A.P. RTE. 658	SECTION *	COUNTY SANGAMON	TOTAL SHEETS 206	SHEET NO. 91
CONTRACT NO. 72C35			ILLINOIS FED. AID PROJECT	

* 1-1RS, TS-1127RS-6, 79Z&102RS-4



STA 222+19.10 IL 4(VET) =
STA 18+48.87 BROWNING_RD

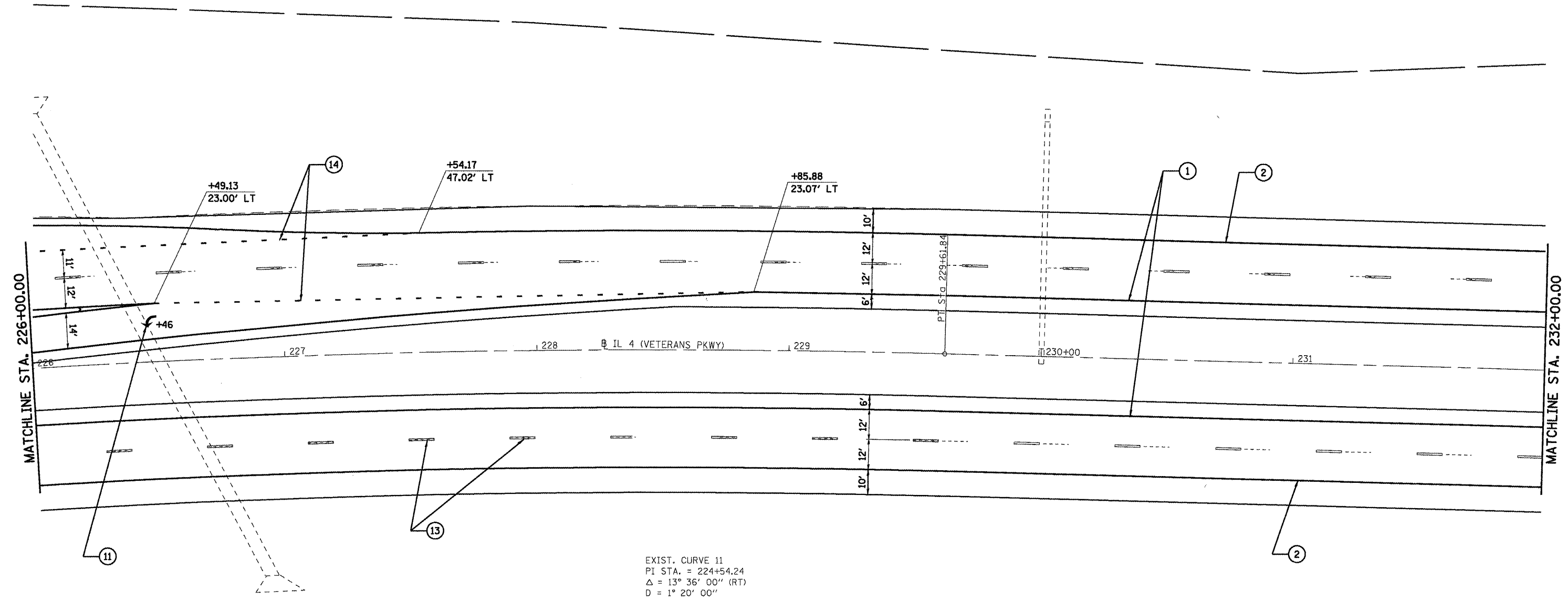
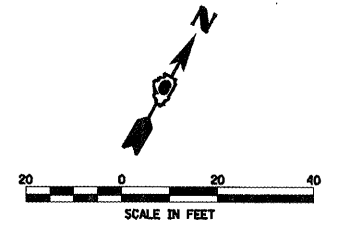
EXIST. CURVE 84
PI STA. = 16+60.16
Δ = 42° 03' 33" (RT)
D = 5° 00' 00"
R = 1,145.93'
T = 440.56'
L = 841.19'
E = 81.77'
e = 6.0%
T.R. = 40'
S.E. RUN = 160'
P.C. STA. = 12+19.60
P.T. STA. = 20+60.79

EXIST. CURVE 11
PI STA. = 224+54.24
Δ = 13° 36' 00" (RT)
D = 1° 20' 00"
R = 4,297.20'
T = 512.41'
L = 1,020.00'
E = 30.44'
e = 3.6%
T.R. = 67'
S.E. RUN = 160'
P.C. STA. = 219+41.83
P.T. STA. = 229+61.84

LEGEND

- ① URETHANE- 5" YELLOW
- ② URETHANE- 5" WHITE
- ③ URETHANE- 8" WHITE
- ④ URETHANE- 12" YELLOW
- ⑤ URETHANE-12" WHITE
- ⑥ THERMOPLASTIC- 5" YELLOW
- ⑦ THERMOPLASTIC- 5" WHITE
- ⑧ THERMOPLASTIC- 8" WHITE
- ⑨ THERMOPLASTIC- 12" YELLOW
- ⑩ THERMOPLASTIC- 12" WHITE
- ⑪ PREFORMED PLASTIC TYPE B- INLAID- LETTERS AND SYMBOLS
- ⑫ PREFORMED PLASTIC TYPE B- INLAID - 5" YELLOW
- ⑬ PREFORMED PLASTIC TYPE B- INLAID - 5" WHITE
- ⑭ PREFORMED PLASTIC TYPE B- INLAID - 6" WHITE
- ⑮ PREFORMED PLASTIC TYPE B- INLAID - 24" WHITE

FILE NAME =	USER NAME = laughlinr1	DESIGNED -	REVISED -	STATE OF ILLINOIS DEPARTMENT OF TRANSPORTATION	PLAN VIEW - SECTION "B" (IL 4 /VETERANS PKWY)	F.A.P. RTE. 658	SECTION	COUNTY	TOTAL SHEETS	SHEET NO.	
ca:\pwwork\pwwid\LAUGHLINRL\dms47718\572C35-ahp1enr14.dgn	PLT SCALE = 40,0000' / IN.	DRAWN -	REVISED -					SANGAMON	206	92	
PLT DATE = Apr-30-2018 02:32:53PM	DATE -	CHECKED -	REVISED -			SCALE:	SHEET NO. 8 OF 20 SHEETS	CONTRACT NO. 72C35	ILLINOIS FED. AID PROJECT		
		DATE -	REVISED -			STA. TO STA.					



EXIST. CURVE 11
 PI STA. = 224+54.24
 $\Delta = 13^\circ 36' 00''$ (RT)
 D = $1^\circ 20' 00''$
 R = 4,297.20'
 T = 512.41'
 L = 1,020.00'
 E = 30.44'
 $e = 3.6\%$
 T.R. = 67'
 S.E. RUN = 160'
 P.C. STA. = 219+41.83
 P.T. STA. = 229+61.84

LEGEND

- | | |
|----------------------------|---|
| ① URETHANE- 5" YELLOW | ⑨ THERMOPLASTIC- 12" YELLOW |
| ② URETHANE- 5" WHITE | ⑩ THERMOPLASTIC- 12" WHITE |
| ③ URETHANE- 8" WHITE | ⑪ PREFORMED PLASTIC TYPE B- INLAID- LETTERS AND SYMBOLS |
| ④ URETHANE- 12" YELLOW | ⑫ PREFORMED PLASTIC TYPE B- INLAID - 5" YELLOW |
| ⑤ URETHANE-12" WHITE | ⑬ PREFORMED PLASTIC TYPE B- INLAID - 5" WHITE |
| ⑥ THERMOPLASTIC- 5" YELLOW | ⑭ PREFORMED PLASTIC TYPE B- INLAID - 6" WHITE |
| ⑦ THERMOPLASTIC- 5" WHITE | ⑮ PREFORMED PLASTIC TYPE B- INLAID - 24" WHITE |
| ⑧ THERMOPLASTIC- 8" WHITE | |

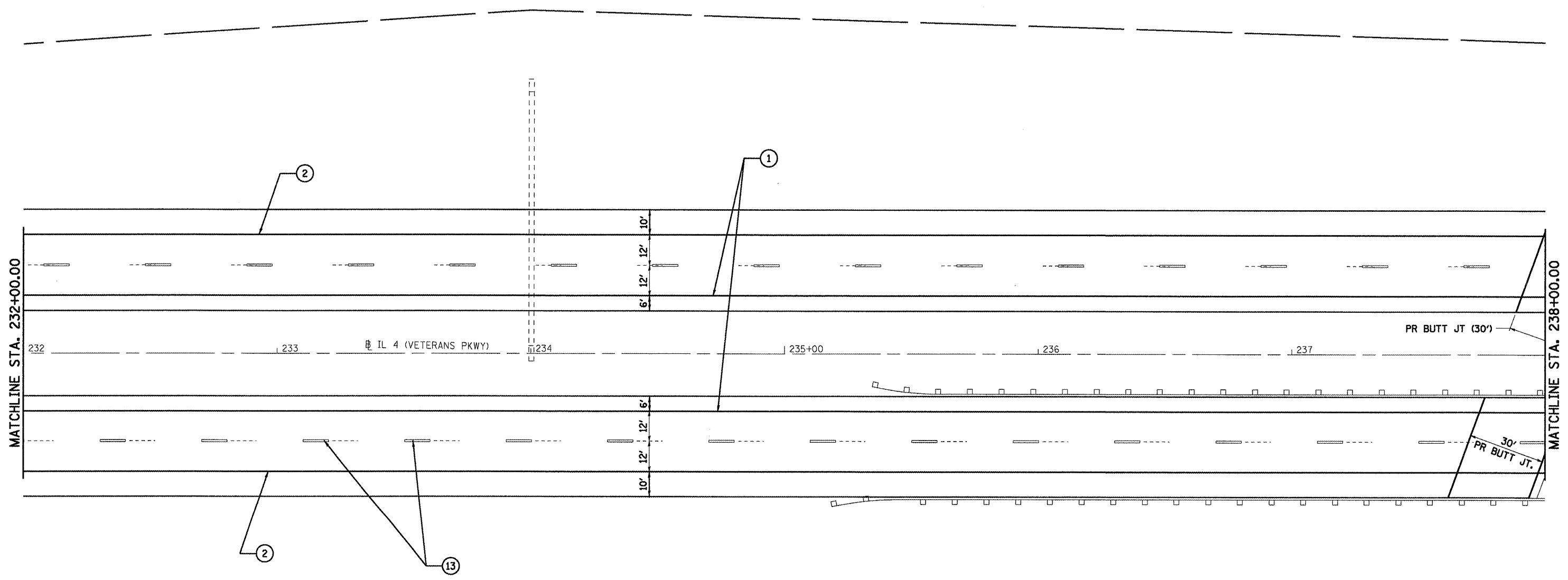
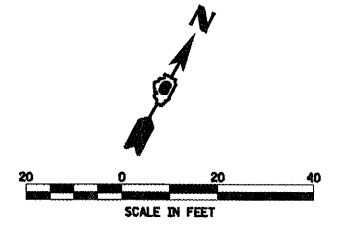
FILE NAME =	USER NAME = laughlrr1	DESIGNED -	REVISED -
ca:\pwwork\pwwid\ot\LAUGHLINRL\dms47718\672C35-shiplen-14.dgn		DRAWN -	REVISED -
PLOT SCALE = 40.0000' / IN.		CHECKED -	REVISED -
PLOT DATE = Apr-30-2010 02:33:01PM		DATE -	REVISED -

**STATE OF ILLINOIS
 DEPARTMENT OF TRANSPORTATION**

PLAN VIEW - SECTION "B" (IL 4 /VETERANS PKWY)

SCALE: SHEET NO. 9 OF 20 SHEETS STA. TO STA.

F.A.P. RTE.	SECTION	COUNTY	TOTAL SHEETS	SHEET NO.
658	*	SANGAMON	206	93
CONTRACT NO. 72C35				
ILLINOIS FED. AID PROJECT				



LEGEND

- | | |
|----------------------------|---|
| ① URETHANE- 5" YELLOW | ⑨ THERMOPLASTIC- 12" YELLOW |
| ② URETHANE- 5" WHITE | ⑩ THERMOPLASTIC- 12" WHITE |
| ③ URETHANE- 8" WHITE | ⑪ PREFORMED PLASTIC TYPE B- INLAID- LETTERS AND SYMBOLS |
| ④ URETHANE- 12" YELLOW | ⑫ PREFORMED PLASTIC TYPE B- INLAID - 5" YELLOW |
| ⑤ URETHANE-12" WHITE | ⑬ PREFORMED PLASTIC TYPE B- INLAID - 5" WHITE |
| ⑥ THERMOPLASTIC- 5" YELLOW | ⑭ PREFORMED PLASTIC TYPE B- INLAID - 6" WHITE |
| ⑦ THERMOPLASTIC- 5" WHITE | ⑮ PREFORMED PLASTIC TYPE B- INLAID - 24" WHITE |
| ⑧ THERMOPLASTIC- 8" WHITE | |

FILE NAME =	USER NAME = laughtn1	DESIGNED -	REVISED -
ca\pwwork\pwwid\LAUGHLINRL\dms47710\B72C35-shp\plan-14.dgn		DRAWN -	REVISED -
	PLOT SCALE = 40.0000' / IN.	CHECKED -	REVISED -
	PLOT DATE = Apr-30-2010 02:33:07PM	DATE -	REVISED -

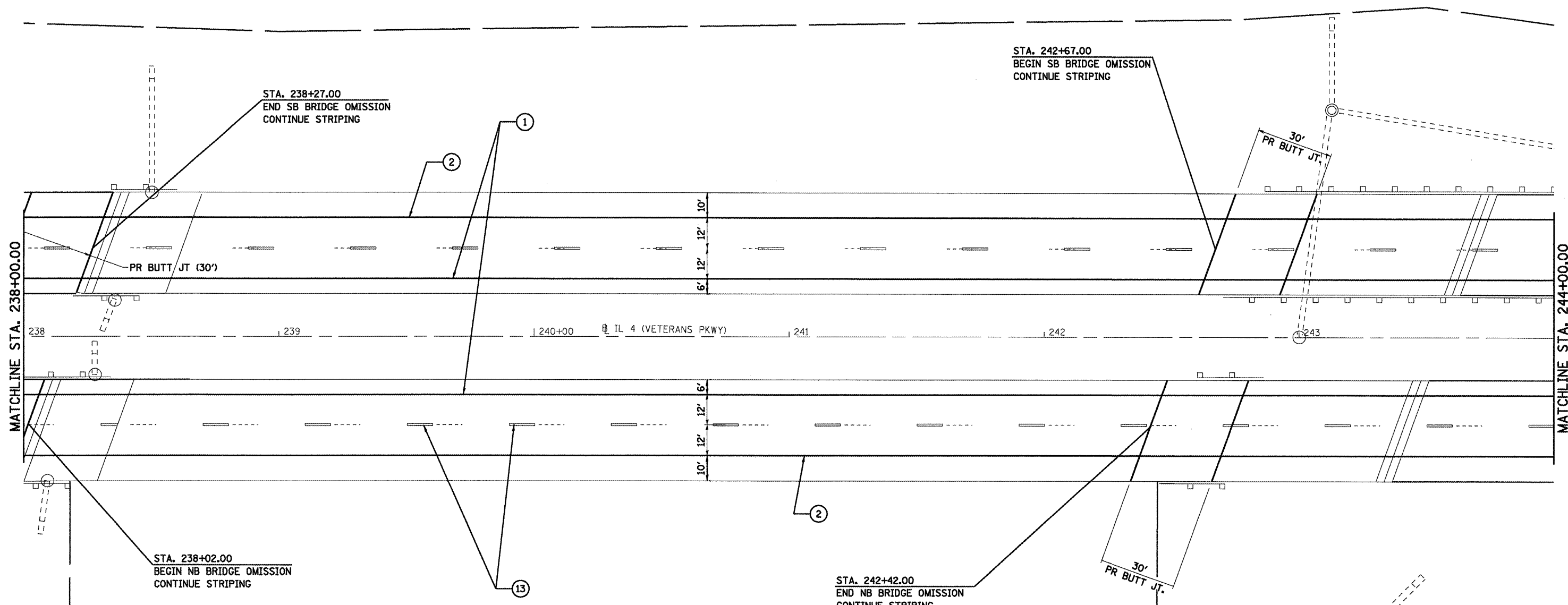
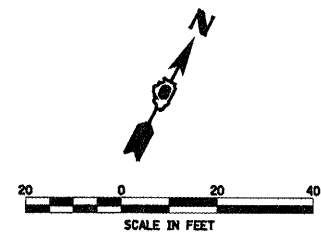
**STATE OF ILLINOIS
DEPARTMENT OF TRANSPORTATION**

PLAN VIEW - SECTION "B" (IL 4 /VETERANS PKWY)

SCALE: SHEET NO. 10 OF 20 SHEETS STA. TO STA.

F.A.P. RTE.	SECTION	COUNTY	TOTAL SHEETS	SHEET NO.
658		SANGAMON	206	94
CONTRACT NO. 72C35			ILLINOIS FED. AID PROJECT	

• 1-(RS,TS-1)27RS-6)79Z&102RS-4



LEGEND

- | | |
|----------------------------|---|
| ① URETHANE- 5" YELLOW | ⑨ THERMOPLASTIC- 12" YELLOW |
| ② URETHANE- 5" WHITE | ⑩ THERMOPLASTIC- 12" WHITE |
| ③ URETHANE- 8" WHITE | ⑪ PREFORMED PLASTIC TYPE B- INLAID- LETTERS AND SYMBOLS |
| ④ URETHANE- 12" YELLOW | ⑫ PREFORMED PLASTIC TYPE B- INLAID - 5" YELLOW |
| ⑤ URETHANE-12" WHITE | ⑬ PREFORMED PLASTIC TYPE B- INLAID - 5" WHITE |
| ⑥ THERMOPLASTIC- 5" YELLOW | ⑭ PREFORMED PLASTIC TYPE B- INLAID - 6" WHITE |
| ⑦ THERMOPLASTIC- 5" WHITE | ⑮ PREFORMED PLASTIC TYPE B- INLAID - 24" WHITE |
| ⑧ THERMOPLASTIC- 8" WHITE | |

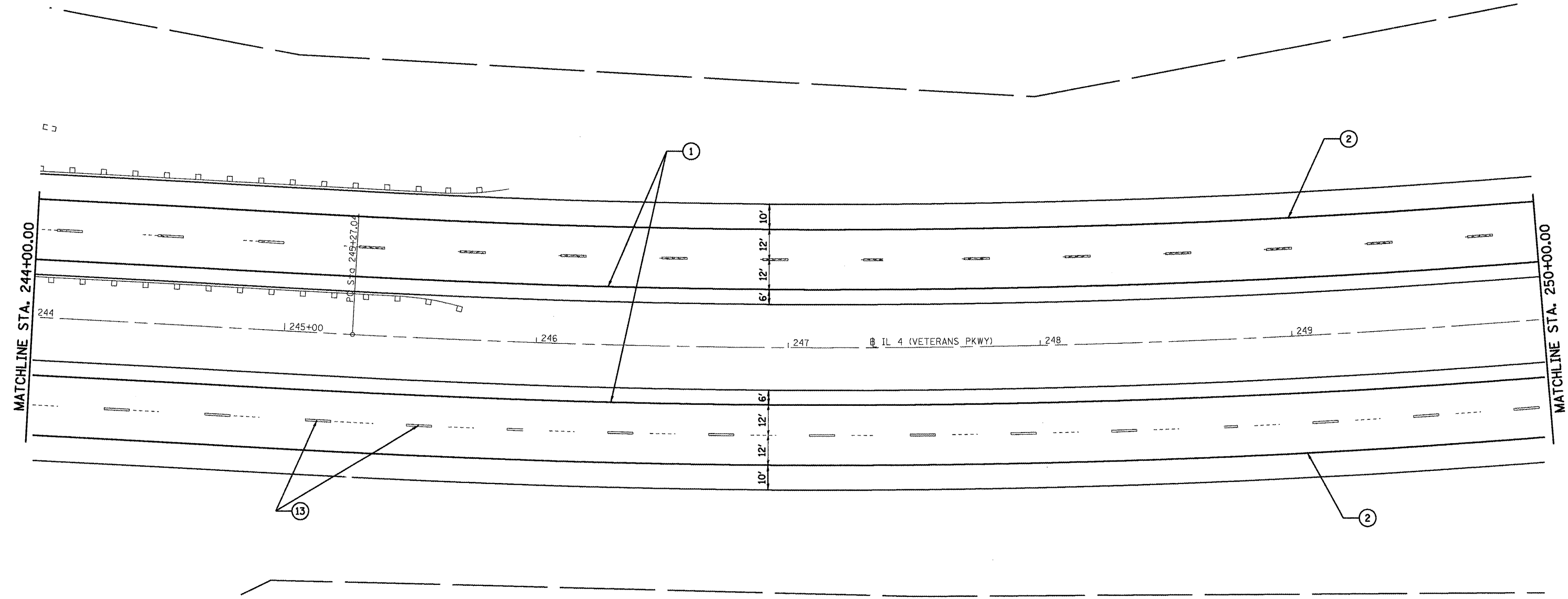
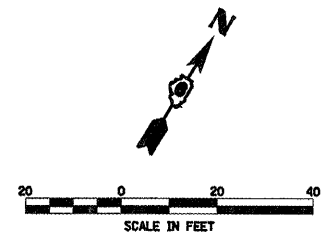
FILE NAME =	USER NAME = laughlinr1	DESIGNED -	REVISED -
es:\pwwork\pwwidot\LAUGHLINRL\dms47718\72C35-shp1enr14.dgn		DRAWN -	REVISED -
PLOT SCALE = 40.0000' / IN.		CHECKED -	REVISED -
PLOT DATE = Apr-30-2010 02:33:14PM		DATE -	REVISED -

**STATE OF ILLINOIS
DEPARTMENT OF TRANSPORTATION**

PLAN VIEW - SECTION "B" (IL 4 /VETERANS PKWY)	
SCALE:	SHEET NO. 11 OF 20 SHEETS STA. TO STA.

F.A.P. RTE. 658	SECTION •	COUNTY SANGAMON	TOTAL SHEETS 206	SHEET NO. 95
CONTRACT NO. 72C35			ILLINOIS FED. AID PROJECT	

EXIST. CURVE 12
 PI STA. = 248+64.35
 $\Delta = 11^\circ 12' 27''$ (LT)
 $D = 1^\circ 40' 00''$
 $R = 3,437.84'$
 $T = 337.31'$
 $L = 672.47'$
 $E = 16.51'$
 $e = 3.9\%$
 $T.R. = 61.54'$
 $S.E. RUN = 160'$
 $P.C. STA. = 245+27.04$
 $P.T. STA. = 251+99.50$

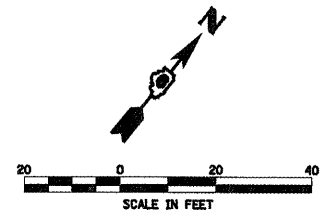


LEGEND

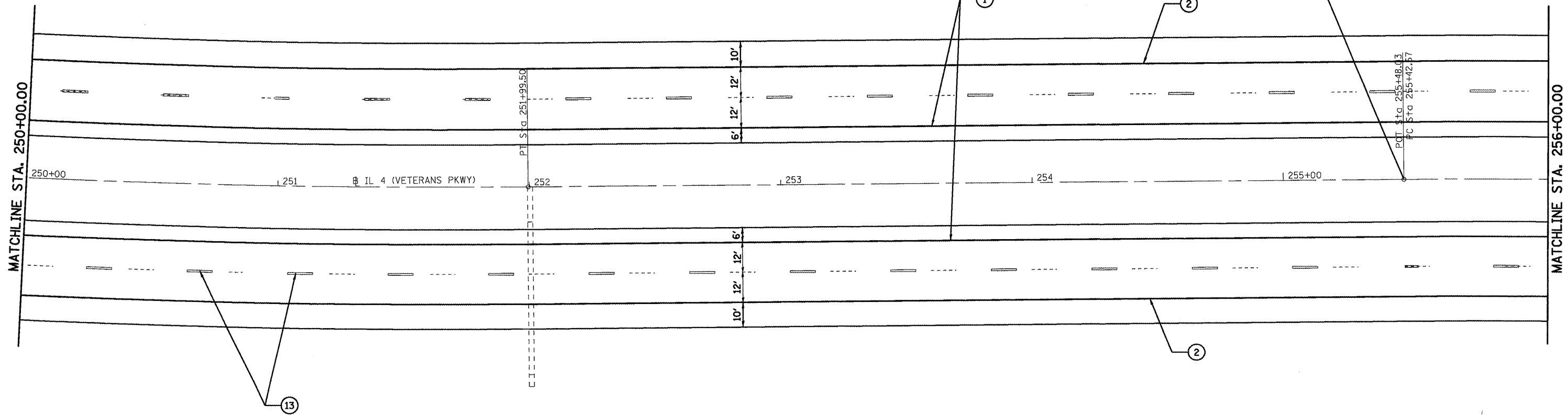
- | | |
|----------------------------|---|
| ① URETHANE- 5" YELLOW | ⑨ THERMOPLASTIC- 12" YELLOW |
| ② URETHANE- 5" WHITE | ⑩ THERMOPLASTIC- 12" WHITE |
| ③ URETHANE- 8" WHITE | ⑪ PREFORMED PLASTIC TYPE B- INLAID- LETTERS AND SYMBOLS |
| ④ URETHANE- 12" YELLOW | ⑫ PREFORMED PLASTIC TYPE B- INLAID - 5" YELLOW |
| ⑤ URETHANE-12" WHITE | ⑬ PREFORMED PLASTIC TYPE B- INLAID - 5" WHITE |
| ⑥ THERMOPLASTIC- 5" YELLOW | ⑭ PREFORMED PLASTIC TYPE B- INLAID - 6" WHITE |
| ⑦ THERMOPLASTIC- 5" WHITE | ⑮ PREFORMED PLASTIC TYPE B- INLAID - 24" WHITE |
| ⑧ THERMOPLASTIC- 8" WHITE | |

FILE NAME =	USER NAME = laughlin1	DESIGNED -	REVISED -	STATE OF ILLINOIS DEPARTMENT OF TRANSPORTATION	PLAN VIEW - SECTION "B" (IL 4 /VETERANS PKWY)	F.A.P. RTE.	SECTION	COUNTY	TOTAL SHEETS	SHEET NO.
ca:\pwwork\pwwid\LAUGHLIN\RL\dms47710\572C35-eh\plan114.dgn	PLOT SCALE = 40.0000' / IN.	DRAWN -	REVISED -			658		SANGAMON	206	96
PLOT DATE = Apr-30-2010 02:33:20PM	DATE -	CHECKED -	REVISED -			CONTRACT NO. 72C35				
						ILLINOIS FED. AID PROJECT				
					SCALE:	SHEET NO. 12 OF 20 SHEETS		STA.	TO STA.	

EXIST. CURVE 12
 PI STA. = 248+64.35
 Δ = 11° 12' 27" (LT)
 D = 1° 40' 00"
 R = 3,437.84'
 T = 337.31'
 L = 672.47'
 E = 16.51'
 e = 3.9%
 T.R. = 61.54'
 S.E. RUN = 160'
 P.C. STA. = 245+27.04
 P.T. STA. = 251+99.50



STATION EQUATION
 POT STA. 255+48.03 (BK) =
 PC STA. 255+42.57 (AH)



LEGEND

- | | |
|----------------------------|---|
| ① URETHANE- 5" YELLOW | ⑨ THERMOPLASTIC- 12" YELLOW |
| ② URETHANE- 5" WHITE | ⑩ THERMOPLASTIC- 12" WHITE |
| ③ URETHANE- 8" WHITE | ⑪ PREFORMED PLASTIC TYPE B- INLAID- LETTERS AND SYMBOLS |
| ④ URETHANE- 12" YELLOW | ⑫ PREFORMED PLASTIC TYPE B- INLAID - 5" YELLOW |
| ⑤ URETHANE-12" WHITE | ⑬ PREFORMED PLASTIC TYPE B- INLAID - 5" WHITE |
| ⑥ THERMOPLASTIC- 5" YELLOW | ⑭ PREFORMED PLASTIC TYPE B- INLAID - 6" WHITE |
| ⑦ THERMOPLASTIC- 5" WHITE | ⑮ PREFORMED PLASTIC TYPE B- INLAID - 24" WHITE |
| ⑧ THERMOPLASTIC- 8" WHITE | |

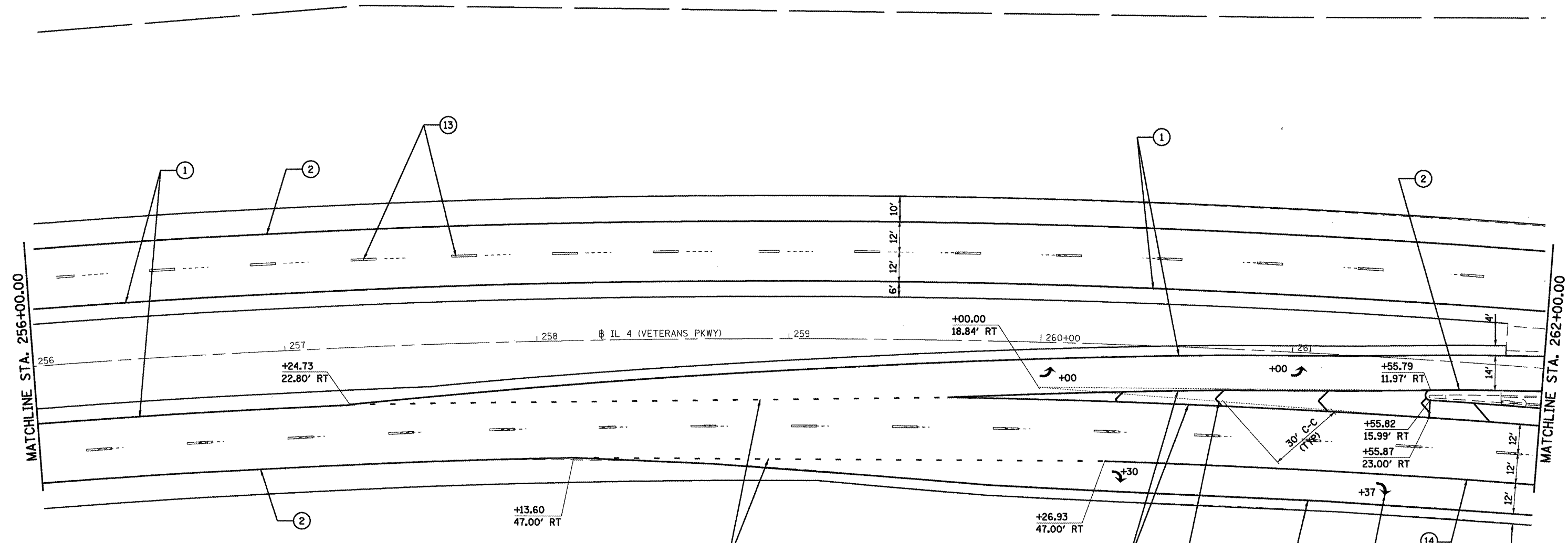
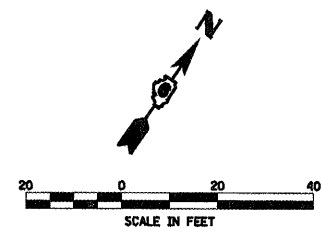
FILE NAME =	USER NAME = laughlinr1	DESIGNED -	REVISED -
c:\pwwork\KPIDOT\LAUGHLINRL\dms47710\B72C35-shp\lan-14.dgn		DRAWN -	REVISED -
	PLOT SCALE = 48.0000' / IN.	CHECKED -	REVISED -
	PLOT DATE = Apr-30-2010 02:33:27PM	DATE -	REVISED -

**STATE OF ILLINOIS
 DEPARTMENT OF TRANSPORTATION**

PLAN VIEW - SECTION "B" (IL 4 / VETERANS PKWY)

SCALE: SHEET NO. 13 OF 20 SHEETS STA. TO STA.

F.A.P. RTE. 658	SECTION	COUNTY	TOTAL SHEETS	SHEET NO.
		SANGAMON	206	97
CONTRACT NO. 72C35			ILLINOIS FED. AID PROJECT	

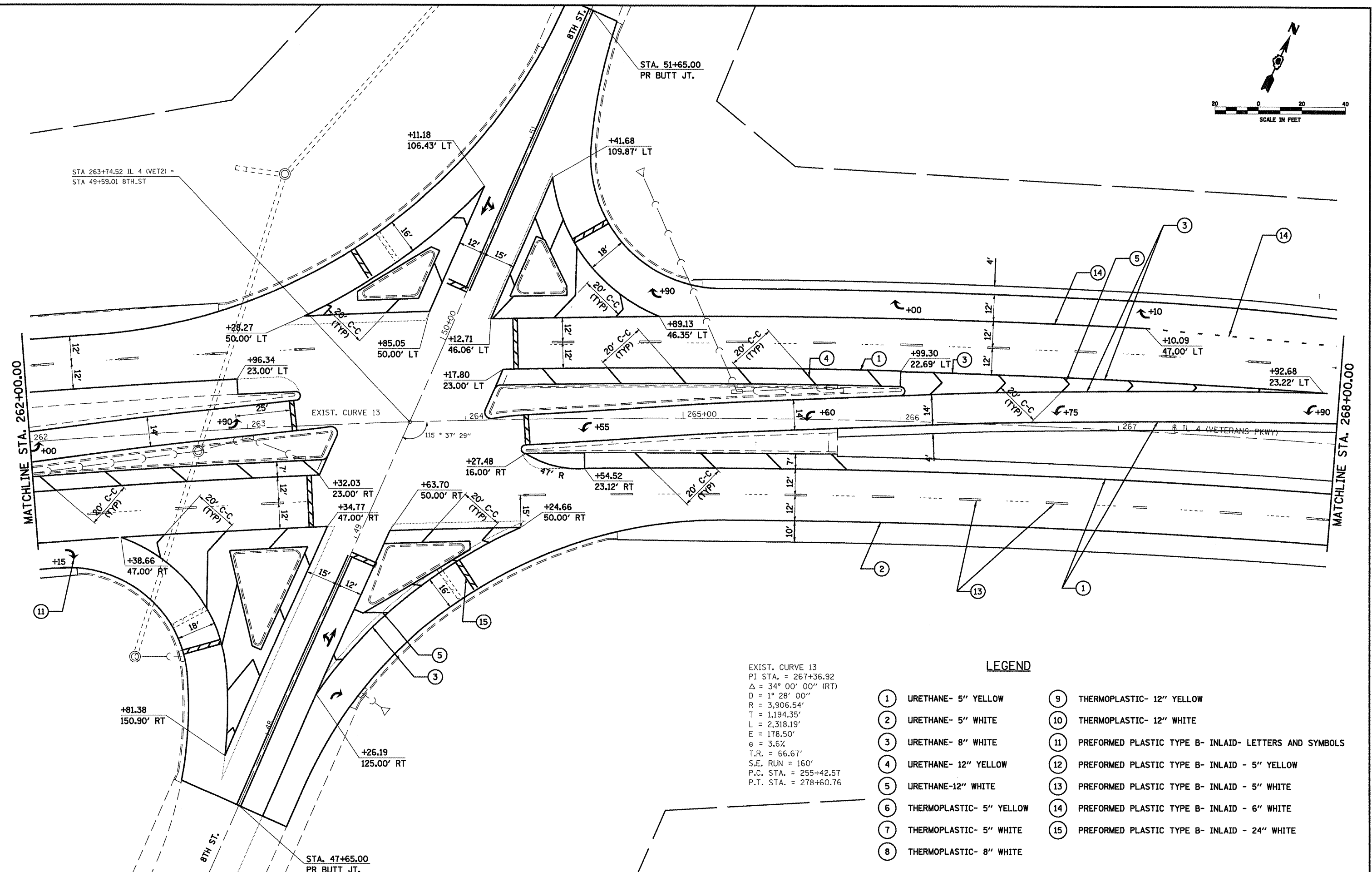
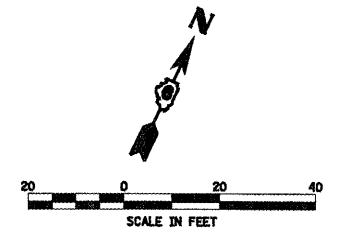


EXIST. CURVE 13
 PI STA. = 267+36.92
 $\Delta = 34^\circ 00' 00''$ (RT)
 $D = 1^\circ 28' 00''$
 $R = 3,906.54'$
 $T = 1,194.35'$
 $L = 2,318.19'$
 $E = 178.50'$
 $e = 3.6\%$
 $T.R. = 66.67'$
 $S.E. RUN = 160'$
 $P.C. STA. = 255+42.57$
 $P.T. STA. = 278+60.76$

LEGEND

- | | |
|----------------------------|---|
| ① URETHANE- 5" YELLOW | ⑨ THERMOPLASTIC- 12" YELLOW |
| ② URETHANE- 5" WHITE | ⑩ THERMOPLASTIC- 12" WHITE |
| ③ URETHANE- 8" WHITE | ⑪ PREFORMED PLASTIC TYPE B- INLAID- LETTERS AND SYMBOLS |
| ④ URETHANE- 12" YELLOW | ⑫ PREFORMED PLASTIC TYPE B- INLAID - 5" YELLOW |
| ⑤ URETHANE-12" WHITE | ⑬ PREFORMED PLASTIC TYPE B- INLAID - 5" WHITE |
| ⑥ THERMOPLASTIC- 5" YELLOW | ⑭ PREFORMED PLASTIC TYPE B- INLAID - 6" WHITE |
| ⑦ THERMOPLASTIC- 5" WHITE | ⑮ PREFORMED PLASTIC TYPE B- INLAID - 24" WHITE |
| ⑧ THERMOPLASTIC- 8" WHITE | |

FILE NAME =	USER NAME = laughlinr1	DESIGNED -	REVISED -	STATE OF ILLINOIS DEPARTMENT OF TRANSPORTATION	PLAN VIEW - SECTION "B" (IL 4 /VETERANS PKWY)	F.A.P. RTE. 658	SECTION •	COUNTY SANGAMON	TOTAL SHEETS 206	SHEET NO. 98		
ei:\pwork\pwork\PIWIDOT\LAUGHLINRL\dms47718\72C35-shp\len14.dgn	72C35-shp\len14.dgn	DRAWN -	REVISED -			SCALE:	SHEET NO. 14 OF 20 SHEETS	STA.	TO STA.	ILLINOIS FED. AID PROJECT		
PLOT SCALE = 40.0000' / IN.		CHECKED -	REVISED -			CONTRACT NO. 72C35						
PLOT DATE = Apr-30-2010 02:33:34PM		DATE -	REVISED -			• 1-1RS,TS-1127RS-6179Z&102RS-4						

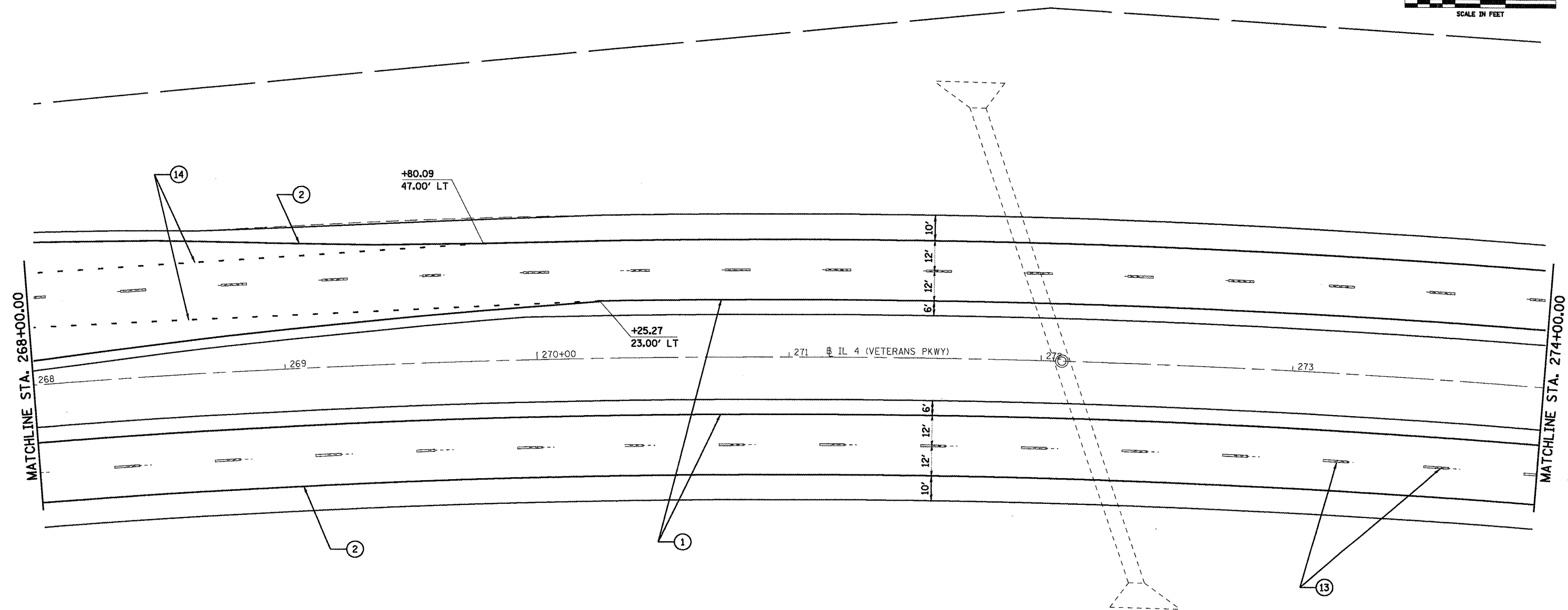
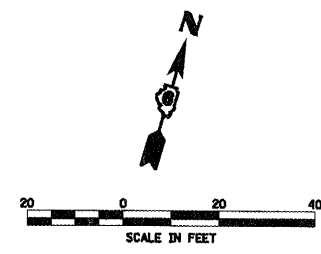


EXIST. CURVE 13
 PI STA. = 267+36.92
 $\Delta = 34^\circ 00' 00''$ (RT)
 $D = 1^\circ 28' 00''$
 $R = 3,906.54'$
 $T = 1,194.35'$
 $L = 2,318.19'$
 $E = 178.50'$
 $e = 3.6\%$
 $T.R. = 66.67'$
 $S.E. RUN = 160'$
 $P.C. STA. = 255+42.57$
 $P.T. STA. = 278+60.76$

LEGEND

- | | |
|----------------------------|---|
| ① URETHANE- 5" YELLOW | ⑨ THERMOPLASTIC- 12" YELLOW |
| ② URETHANE- 5" WHITE | ⑩ THERMOPLASTIC- 12" WHITE |
| ③ URETHANE- 8" WHITE | ⑪ PREFORMED PLASTIC TYPE B- INLAID- LETTERS AND SYMBOLS |
| ④ URETHANE- 12" YELLOW | ⑫ PREFORMED PLASTIC TYPE B- INLAID - 5" YELLOW |
| ⑤ URETHANE-12" WHITE | ⑬ PREFORMED PLASTIC TYPE B- INLAID - 5" WHITE |
| ⑥ THERMOPLASTIC- 5" YELLOW | ⑭ PREFORMED PLASTIC TYPE B- INLAID - 6" WHITE |
| ⑦ THERMOPLASTIC- 5" WHITE | ⑮ PREFORMED PLASTIC TYPE B- INLAID - 24" WHITE |
| ⑧ THERMOPLASTIC- 8" WHITE | |

FILE NAME =	USER NAME = laughlinr1	DESIGNED -	REVISED -	STATE OF ILLINOIS DEPARTMENT OF TRANSPORTATION	PLAN VIEW - SECTION "B" (IL 4 /VETERANS PKWY)	F.A.P. RTE. 658	SECTION	COUNTY SANGAMON	TOTAL SHEETS 206	SHEET NO. 99		
ct\pwwork\pwwid\LAUGHLINRL\dms47710\72C35-ahp\plan-14.dgn	72C35-ahp\plan-14.dgn	DRAWN -	REVISED -			SCALE:	SHEET NO. 15 OF 20 SHEETS	STA. TO STA.	CONTRACT NO. 72C35			
PLOT SCALE = 40.0000' / IN.		CHECKED -	REVISED -			ILLINOIS FED. AID PROJECT						
PLOT DATE = Apr-30-2010 02:33:40PM		DATE -	REVISED -			1-1(RS,TS-1)27RS-6;79Z&102RS-4						



LEGEND

- | | |
|----------------------------|---|
| ① URETHANE- 5" YELLOW | ⑨ THERMOPLASTIC- 12" YELLOW |
| ② URETHANE- 5" WHITE | ⑩ THERMOPLASTIC- 12" WHITE |
| ③ URETHANE- 8" WHITE | ⑪ PREFORMED PLASTIC TYPE B- INLAID- LETTERS AND SYMBOLS |
| ④ URETHANE- 12" YELLOW | ⑫ PREFORMED PLASTIC TYPE B- INLAID - 5" YELLOW |
| ⑤ URETHANE-12" WHITE | ⑬ PREFORMED PLASTIC TYPE B- INLAID - 5" WHITE |
| ⑥ THERMOPLASTIC- 5" YELLOW | ⑭ PREFORMED PLASTIC TYPE B- INLAID - 6" WHITE |
| ⑦ THERMOPLASTIC- 5" WHITE | ⑮ PREFORMED PLASTIC TYPE B- INLAID - 24" WHITE |
| ⑧ THERMOPLASTIC- 8" WHITE | |

EXIST. CURVE 13
 PI STA. = 267+36.92
 $\Delta = 34^{\circ} 00' 00''$ (RT)
 $D = 1^{\circ} 28' 00''$
 $R = 3,906.54'$
 $T = 1,194.35'$
 $L = 2,318.19'$
 $E = 178.50'$
 $e = 3.6\%$
 $T.R. = 66.67'$
 $S.E. RUN = 160'$
 $P.C. STA. = 255+42.57$
 $P.T. STA. = 278+60.76$

FILE NAME =	USER NAME = leughlinr1	DESIGNED -	REVISED -
c:\pwwork\pwwid\LAUGHLINRL\dms47710\72C35-shtpln-14.dgn		DRAWN -	REVISED -
PLOT SCALE = 40.0000' / IN.		CHECKED -	REVISED -
PLOT DATE = Apr-30-2018 02:33:47PM		DATE -	REVISED -

**STATE OF ILLINOIS
 DEPARTMENT OF TRANSPORTATION**

PLAN VIEW - SECTION "B" (IL 4 /VETERANS PKWY)			
SCALE:	SHEET NO. 16 OF 20 SHEETS	STA.	TO STA.

F.A.P. RTE.	SECTION	COUNTY	TOTAL SHEETS	SHEET NO.
658		SANGAMON	206	100
CONTRACT NO. 72C35				
ILLINOIS FED. AID PROJECT				