

Existing Structure: SN 075-0004, built in 1955, is a two span concrete continuous slab structure with closed abutments. It has an overall length of 48'-2" back to back abutment and 47'-4" out to out of deck. The existing deck has a 2" concrete overlay, construction date unknown.

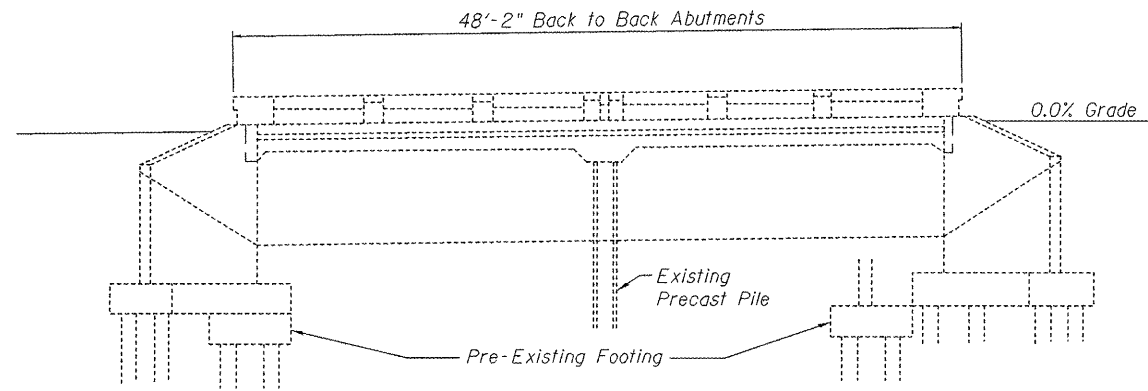
Structure improvements include hydro-scarification of the deck, placing microsilica overlay and polymer concrete.

Traffic to be maintained utilizing stage construction.

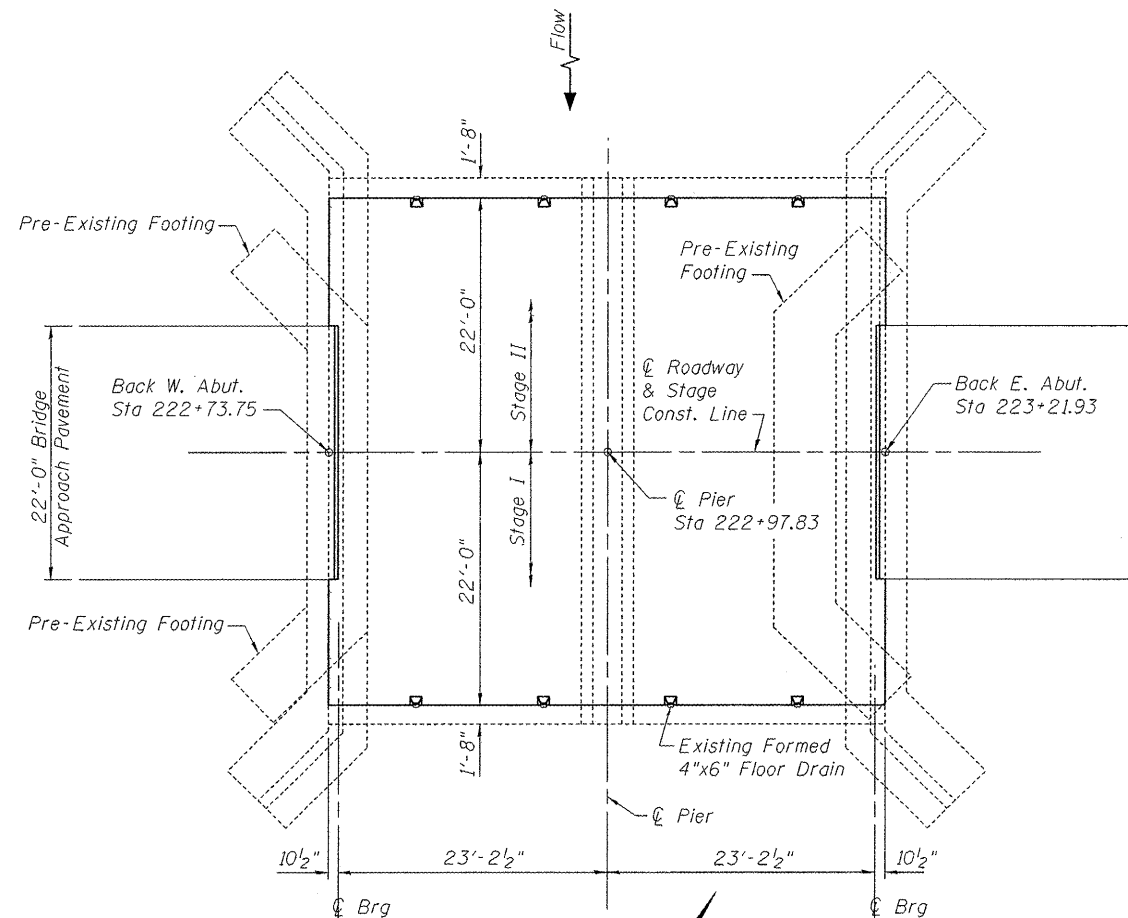
No salvage.

Plan dimensions and details relative to existing plans are subject to nominal construction variations. The contractor shall field verify existing dimensions and details affecting new construction and make necessary approved adjustments prior to construction or ordering of materials. Such variations shall not be cause for additional compensation for a change in scope of the work. However, the contractor will be paid for the quantity actually furnished at the unit price bid for the work.

All repair work associated with the bridges shall be completed by stage construction utilizing TC&P, Standard 701316 as detailed in these repair plans.

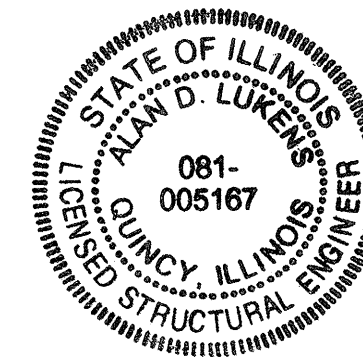


ELEVATION



PLAN

TOTAL BILL OF MATERIALS		
ITEM	UNIT	TOTAL
BRIDGE DECK GROOVING	SQ YD	220
BRIDGE DECK HYDRO-SCARIFICATION 2 1/2"	SQ YD	235
BRIDGE DECK MICROSILICA CONCRETE OVERLAY 2 1/4"	SQ YD	232
POLYMER CONCRETE	CU FT	2.4
PROTECTIVE COAT	SQ YD	259



Alan D. Lukens 2-10-10 Date
 Alan D. Lukens
 Licensed Structural Engineer
 State of Illinois No. 081-005167
 License Expires 11/30/10

GENERAL PLAN & ELEVATION
 IL 106 OVER HADLEY CREEK
 SN 075-0004

DESIGNED	KTH
CHECKED	ADL
DRAWN	KTH/BGJ
CHECKED	KTH

KLINGNER & ASSOCIATES, P.C.
 Engineers • Architects • Surveyors
 115 North 24th Street, Quincy, IL 62450-2233
 1538 Park Grand Road, Barksdale, MO 64603-2233
 150 N. 4th Street, Suite 100, Burlington, IA 52601-2233
 115 North Prairie Street, Galena, IL 62421-2233
 Internet Address: www.klingner.com
 STATE OF ILLINOIS DESIGN FIRM # 1842738

SHEET NO. 1	F.A.P. RTE.	SECTION	COUNTY	TOTAL SHEETS	SHEET NO.
	751	D6 BRIDGE REPAIR 2009	PIKE	22	18
5 SHEETS			CONTRACT NO. 72D44		
FED. ROAD DIST. NO.		ILLINOIS	FED. AID PROJECT		