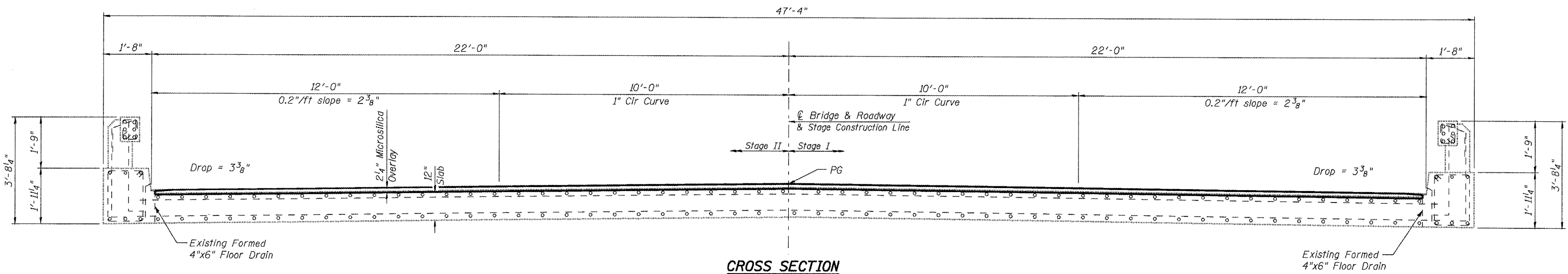
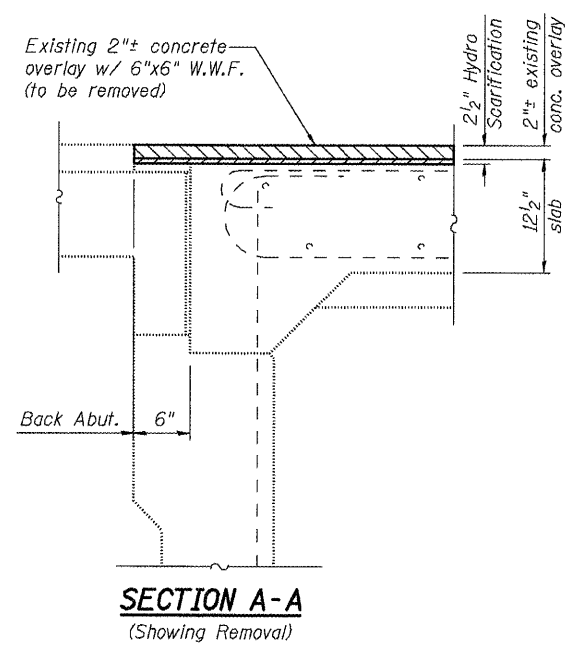


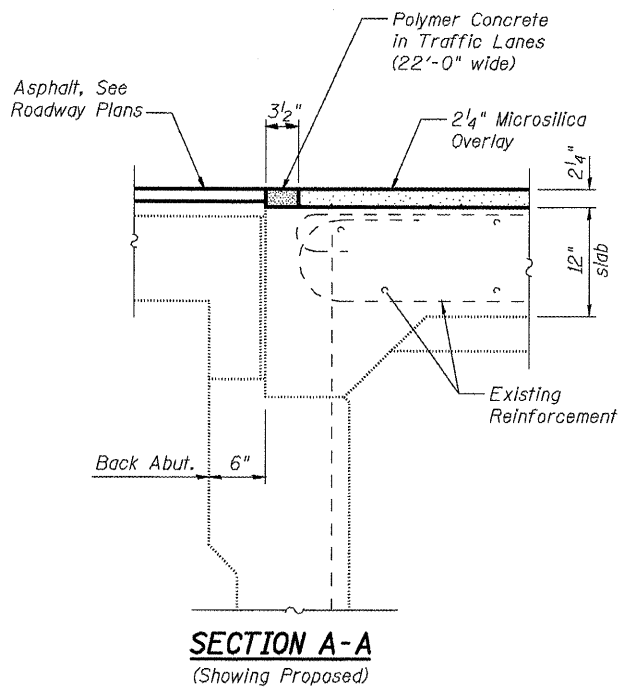
EXISTING CROSS SECTION



CROSS SECTION



SECTION A-A
(Showing Removal)



SECTION A-A
(Showing Proposed)

**SUPERSTRUCTURE DETAILS
IL 106 OVER HADLEY CREEK
SN 075-0004**

DESIGNED	KTH
CHECKED	ADL
DRAWN	KTH/BGJ
CHECKED	ADL

KLINGNER & ASSOCIATES, P.C.
Engineers - Architects - Surveyors
615 North 24th Street, Itasca, IL
Ph: 630.225.4800 - Fax: 630.225.4802
408 Paris Street, Mendota, IL
Ph: 630.759.9200 - Fax: 630.759.9205
1914 North State Street, Champaign, IL
Ph: 219.244.4842 - Fax: 219.244.3781
Internet: www.klingner.com
STATE OF ILLINOIS DESIGN FIRM # 1842738

SHEET NO. 4 5 SHEETS	F.A.P. RTE.	SECTION	COUNTY	TOTAL SHEETS	SHEET NO.
	751	D6 BRIDGE REPAIR 2009	PIKE	22	21
FED. ROAD DIST. NO.			ILLINOIS FED. AID PROJECT		
CONTRACT NO. 72D44					