

F.A.P. RTE.	SECTION	COUNTY	TOTAL SHEETS	SHEET NO.
751	D6 BRIDGE REPAIR 2009	PIKE	22	1
		ILLINOIS	CONTRACT NO. 72D44	

INDEX OF SHEETS

- 1 COVER SHEET
- 2 GENERAL NOTES
- 3-4 SUMMARY OF QUANTITIES
- 5 TYPICAL SECTIONS
- 6 SCHEDULE OF QUANTITIES
- 7-11 TRAFFIC CONTROL AND PROTECTION
- 12 PLAN S.N. 075-0024 & S.N. 075-0004
- 13-17 S.N. 075-0024 REPAIR PLANS
- 18-22 S.N. 075-0004 REPAIR PLANS

STATE OF ILLINOIS
DEPARTMENT OF TRANSPORTATION
DIVISION OF HIGHWAYS

PROPOSED
CONTRACT MAINTENANCE

FAP ROUTE 751 (IL 106)
SECTION D6 BRIDGE REPAIR 2009

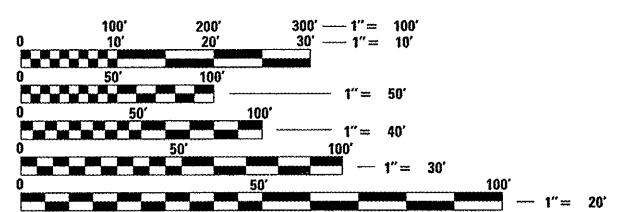
PIKE COUNTY

HIGHWAY STANDARDS

- 000001-05
- 635011-02
- 701001-02
- 701006-03
- 701301-03
- 701306-02
- 701311-03
- 701316-04
- 701326-03
- 701901-01
- 780001-02
- 781001-03

DESIGN DESIGNATION

FAP 751 (IL 106)
 MINOR ARTERIAL (NON URBAN)
 ADT = 1150 (2007) @ SN 075-0024
 ADT = 1150 (2007) @ SN 075-0004
 DESIGN SPEED = 55 MPH



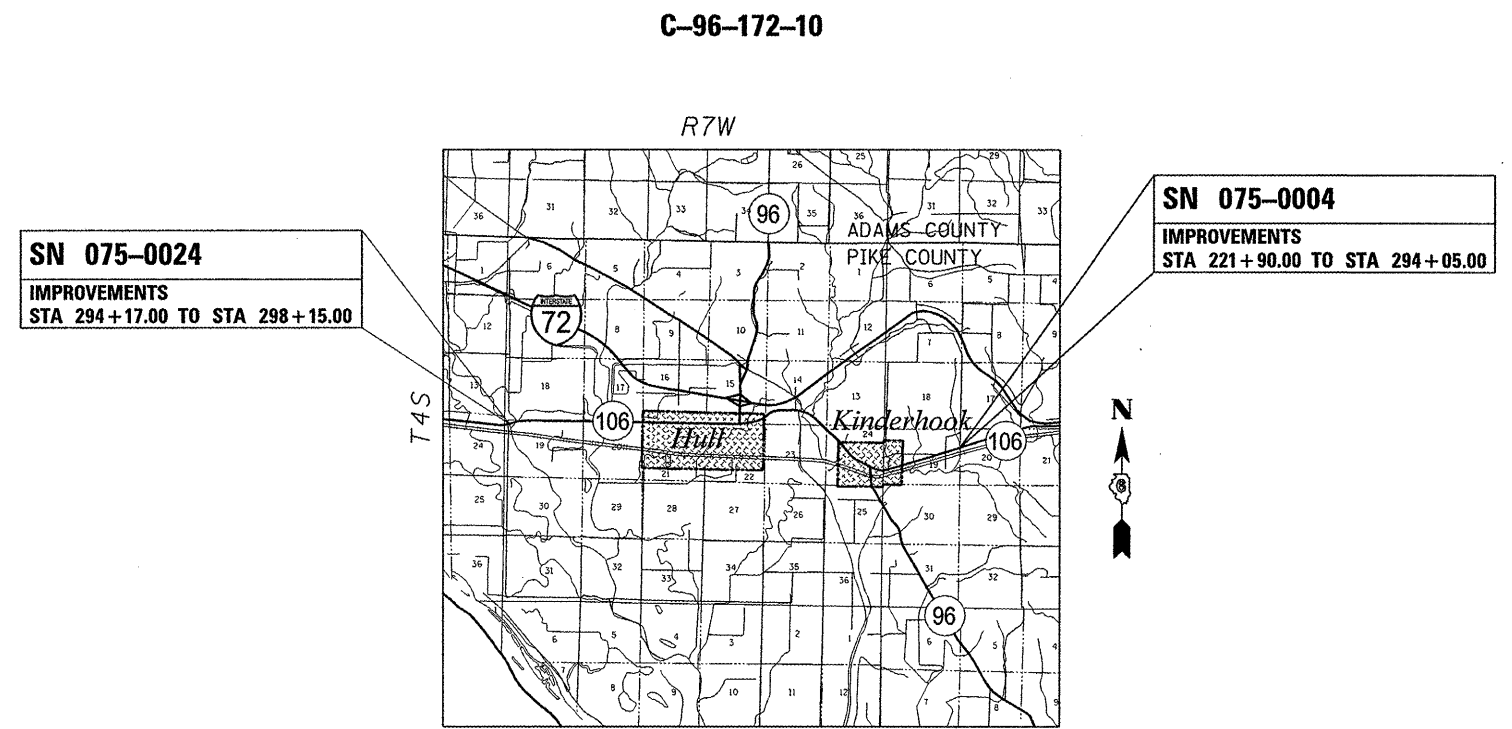
FULL SIZE PLANS HAVE BEEN PREPARED USING STANDARD ENGINEERING SCALES. REDUCED SIZED PLANS WILL NOT CONFORM TO STANDARD SCALES. IN MAKING MEASUREMENTS ON REDUCED PLANS, THE ABOVE SCALES MAY BE USED.

J.U.L.I.E.
 JOINT UTILITY LOCATION INFORMATION FOR EXCAVATION
 1-800-892-0123
 OR 811

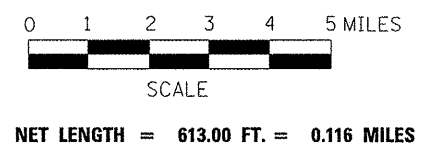
PROJECT ENGINEER: SAL MADONIA P.E. 217-782-4761

TEAM MANAGER: TOM COX 217-524-7940

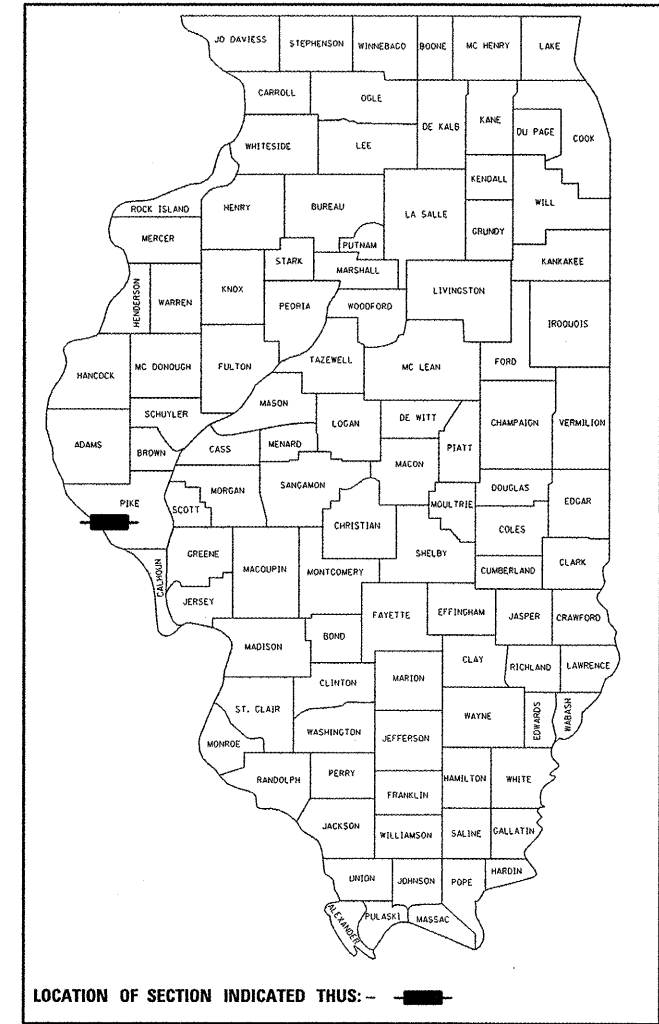
CONTRACT NO. 72D44



LOCATION MAP



D-96-172-10



LOCATION OF SECTION INDICATED THUS: - [black rectangle] -

STATE OF ILLINOIS
 DEPARTMENT OF TRANSPORTATION
 DIVISION OF HIGHWAYS

SUBMITTED February 10 2010
Roger Z. Dink
 DEPUTY DIRECTOR OF HIGHWAYS, REGION ENGINEER

May 7 2010
Scott E. Still, P.E. Ica
 acting ENGINEER OF DESIGN AND ENVIRONMENT

May 7 2010
Christine M. Reed Ica
 DIRECTOR OF HIGHWAYS, CHIEF ENGINEER

PLANS PREPARED BY:

KLINGNER & ASSOCIATES, P.C.
 Engineers • Architects • Surveyors

616 North 24th Street, Quincy, IL Ph: (217) 223-3670 • Fax: (217) 223-3683
 4510 Paris Gravel Road, Hannibal, MO Ph: (573) 221-0020 • Fax: (573) 221-0012
 618 N. 4th Street, Suite 108, Burlington, IA Ph: (319) 752-1636 • Fax: (319) 752-3685
 49 North Prairie Street, Galesburg, IL Ph: (309) 342-4042 • Fax: (309) 341-3781
 Internet Address: www.klingner.com

STEVE E. BANGE
 LICENSED PROFESSIONAL ENGINEER
 062-053338
Steve E. Bange 1/29/10 DATE
 REGISTERED PROFESSIONAL ENGINEER
 STATE OF ILLINOIS NO. 062-053338
 LICENSE EXPIRES NOVEMBER 30, 2011

**PRINTED BY THE AUTHORITY
 OF THE STATE OF ILLINOIS**

GENERAL NOTES

1. THICKNESS OF RESURFACING: THE THICKNESS OF THE MICROSILICA AND REINFORCED CONCRETE OVERLAYS SHOWN ON THE PLANS ARE THE NOMINAL THICKNESS.
2. ALL ELEVATIONS SHOWN ON THE PLANS ARE ESTABLISHED FROM U.S.G.S. MEAN SEA LEVEL DATUM.
3. NO PAYEMENT FOR OVERHAUL WILL BE ALLOWED FOR EARTH MOVED FROM ANY SOURCE.
4. ANY EXISTING ROAD SIGNS THAT INTERFERE WITH CONSTRUCTION WILL BE REMOVED OR RELOCATED AS DIRECTED BY THE ENGINEER. AFTER THE CONSTRUCTION IS COMPLETED, THE CONTRACTOR WILL REPLACE THE SIGNS AS DIRECTED BY THE ENGINEER. THIS WORK WILL NOT BE PAID SEPARATELY BUT SHALL BE CONSIDERED INCIDENTAL TO THE CONTRACT AND NO COMPENSATION WILL BE ALLOWED.
5. ALL DISTURBED AREAS WITHIN THE RIGHT-OF-WAY SHALL BE SEEDED, FERTILIZED, AND MULCHED AS SHOWN IN THE PLANS AND AS DIRECTED BY THE ENGINEER.
6. ANY REFERENCE TO A STANDARD IN THESE PLANS SHALL BE INTERPRETED TO MEAN THE EDITION AS INDICATED BY THE SUB-NUMBER IN THE INDEX OF SHEETS OR THE COPY OF THE STANDARD INCLUDED IN THESE PLANS.
7. ACCESS TO ALL ENTRANCES AND SIDE ROADS SHALL BE MAINTAINED AT ALL TIMES.
8. EXISTING RAISED REFLECTIVE PAVEMENT MARKERS SHALL BE REMOVED PRIOR TO HOT-MIX ASPHALT SURFACE REMOVAL.
9. ALL SAW CUTS, NECESSARY TO COMPLETE THE WORK AS DETAILED IN THESE PLANS, SHALL BE INCLUDED IN THE COST FOR THE VARIOUS PAY ITEMS INVOLVED.
10. THE CONTRACTOR SHALL PROTECT AND CAREFULLY PRESERVE ALL PROPERTY MARKERS AND MONUMENTS UNTIL THE OWNER, AUTHORIZED AGENT, OR LAND SURVEYOR HAS WITNESSED OR OTHERWISE REFERENCED THEIR LOCATION. WHERE SECTION OR SUB-SECTION MONUMENTS ARE ENCOUNTERED, THE ENGINEER SHALL BE NOTIFIED BEFORE SUCH MONUMENTS ARE REMOVED. THE CONTRACTOR SHALL BE RESPONSIBLE FOR HAVING AN AUTHORIZED SURVEYOR RE-ESTABLISH ANY SECTION OR SUB-SECTION MONUMENTS DESTROYED BY HIS OPERATIONS.
11. THE LOCATION OF BURIED AND ABOVE GROUND UTILITIES SHOWN ARE APPROXIMATE, AND ARE SHOWN FOR CONTRACTOR INFORMATIONAL USE ONLY, AND ARE NOT TO BE REFERENCED FOR CONSTRUCTION PURPOSES. THE IMPLIED PRESENCE OR ABSENCE OF UTILITIES IS NOT TO BE CONSTRUED BY THE OWNER, ENGINEER, CONTRACTOR, OR SUBCONTRACTORS TO BE AN ACCURATE AND COMPLETE REPRESENTATION OF UTILITIES THAT MAY OR MAY NOT EXIST ON THE CONSTRUCTION SITE. BURIED AND ABOVE GROUND UTILITY LOCATIONS, IDENTIFICATION, AND MARKING ARE THE SOLE RESPONSIBILITY OF THE CONTRACTOR. REROUTING, DISCONNECTION, PROTECTION, ETC. OF ANY UTILITIES MUST BE COORDINATED BETWEEN THE CONTRACTOR, UTILITY COMPANY, AND OWNER. SITE SAFETY, INCLUDING THE AVOIDANCE OF HAZARDS ASSOCIATED WITH BURIED AND ABOVE GROUND UTILITIES, REMAINS THE SOLE RESPONSIBILITY OF THE CONTRACTOR.
12. IN ACCORDANCE WITH STATE OF ILLINOIS P.A. 86-0674, THE CONTRACTOR IS TO NOTIFY ALL UTILITY COMPANIES NOT MORE THAN 14 DAYS NOR LESS THAN 48 HOURS (EXCLUSIVE OF SATURDAYS, SUNDAYS, AND HOLIDAYS) IN ADVANCE OF THE START OF EXCAVATION OR DEMOLITION.

J.U.L.I.E. TELEPHONE NUMBER
1-800-892-0123

RATES OF APPLICATION TABLE

AGGREGATE (SURFACE, BASE, SUBBASE, OR BACKFILL)	2.05 TON / CU YD
SUBBASE GRANULAR MATERIAL, TYPE C	1.80 TON / CU YD
STONE DUMPED RIPRAP	1.50 TON / CU YD
HOT-MIX ASPHALT:	
BITUMINOUS MATERIALS (PRIME COAT)	0.00038 TON / SQ YD (on pavement)
BITUMINOUS MATERIALS (PRIME COAT)	0.001425 TON / SQ YD (on aggregate)
AGGREGATE PRIME COAT	0.002 TON / SQ YD
SURFACE / BINDER (112 lbs)	0.056 TON / SQ YD * IN
MIXTURE FOR CRACKS, JOINTS, AND FLANGWAYS	0.0003 TON / SQ YD
SEEDING AREAS:	
NITROGEN FERTILIZER NUTRIENT	90 LBS / ACRE
PHOSPHOROUS FERTILIZER NUTRIENT	90 LBS / ACRE
POTASSIUM FERTILIZER NUTRIENT	90 LBS / ACRE
AGGRICULTURAL GROUND LIMESTONE	2 TON / ACRE
MULCH	2 TON / ACRE

COMMITMENTS

NONE

DISTRICT SIX	
EXAMINED <u>January 28</u>	20 <u>10</u>
<i>Sam J. Adams</i>	
OPERATIONS ENGINEER	

EXAMINED <u>January 29</u>	20 <u>10</u>
<i>Sam J. Adams</i>	
PROGRAM IMPLEMENTATION ENGINEER	

EXAMINED <u>February 10</u>	20 <u>10</u>
<i>DRML</i>	
PROGRAM DEVELOPMENT ENGINEER	

SUMMARY OF QUANTITIES					100% STATE	0 % FEDERAL 100 % STATE			
CODE NO.	ITEM	SP. PROV.	UNIT	TOTAL QUANTITIES	SFTY-2A ROADWAY & BRIDGE	CONSTRUCTION AND SAFETY TYPE CODE			
X0301424	SILICONE JOINT SEALER	Y	FOOT	92	92				
X0320887	POLYMER CONCRETE	Y	CU FT	12.4	12.4				
X0322469	PLUG EXISTING FLOOR DRAINS	Y	EACH	13	13				
XZ193500	BRIDGE DECK MICROSILICA CONCRETE OVERLAY 2 1/4"	Y	SQ YD	663	663				
Z0006204	BRIDGE DECK HYDRO-SCARIFICATION 1/2"	Y	SQ YD	438	438				
Z0006225	BRIDGE DECK HYDRO-SCARIFICATION 2 1/2"	Y	SQ YD	235	235				
20200500	EARTH EXCAVATION (WIDENING)	Y	CU YD	46	46				
35600712	HOT-MIX ASPHALT BASE COURSE WIDENING, 9"		SQ YD	185	185				
40600200	BITUMINOUS MATERIALS (PRIME COAT)		TON	0.7	0.7				
40600300	AGGREGATE (PRIME COAT)		TON	4	4				
40600625	LEVELING BINDER (MACHINE METHOD), N50		TON	64	64				
40600990	TEMPORARY RAMP		SQ YD	193	193				
40603310	HOT-MIX ASPHALT SURFACE COURSE, MIX "C", N50		TON	156	156				
44000155	HOT-MIX ASPHALT SURFACE REMOVAL, 1 1/2"		SQ YD	1905	1905				
50300100	FLOOR DRAINS		EACH	10	10				
50300260	BRIDGE DECK GROOVING		SQ YD	639	639				
50300300	PROTECTIVE COAT		SQ YD	734	734				
67100100	MOBILIZATION		L SUM	1	1				
70100460	TRAFFIC CONTROL AND PROTECTION, STANDARD 701306		L SUM	1	1				
70100500	TRAFFIC CONTROL AND PROTECTION, STANDARD 701326		L SUM	1	1				
70103815	TRAFFIC CONTROL SURVEILLANCE		CAL DA	4	4				
70104005	TRAFFIC CONTROL AND PROTECTION, STANDARD 701316, LOCATION 1	Y	EACH	1	1				
70104010	TRAFFIC CONTROL AND PROTECTION, STANDARD 701316, LOCATION 2	Y	EACH	1	1				
70106500	TEMPORARY BRIDGE TRAFFIC SIGNALS		EACH	2	2				
70106700	TEMPORARY RUMBLE STRIP		EACH	12	12				
70300100	SHORT-TERM PAVEMENT MARKING		FOOT	312	312				
70300230	TEMPORARY PAVEMENT MARKING - LINE 5"		FOOT	1516	1516				
70300530	PAVEMENT MARKING TAPE, TYPE III 5"		FOOT	3227	3227				
70300570	PAVEMENT MARKING TAPE, TYPE III 24"		FOOT	59	59				

FILE NAME = c:\pwwork\pwwork\PROJECTS\COXTE\08183107\067204

USER NAME = coxte
 PLOT SCALE = 2.0000 "/ IN.
 PLOT DATE = Feb-19-2010 01:49:16PM

DESIGNED -
 DRAWN -
 CHECKED -
 DATE -

REVISED -
 REVISED -
 REVISED -
 REVISED -

STATE OF ILLINOIS
 DEPARTMENT OF TRANSPORTATION

SUMMARY OF QUANTITIES

SCALE: NONE SHEET NO. 1 OF 2 SHEETS

F.A.P. RTE.	SECTION	COUNTY	TOTAL SHEETS	SHEET NO.
751	D6 BRIDGE REPAIR 2009	PIKE	22	3
FED. ROAD DIST. NO. [ILLINOIS] FED. AID PROJECT			CONTRACT NO. 72D44	

EARTH EXCAVATION (WIDENING) SCHEDULE

LOCATION		20200500 VOLUME (CU YD)	
FAP 751 (IL 96) - SN 075-0004	22+190.00 TO 22+273.75	LT	11.6
		RT	11.6
	22+321.93 TO 22+405.00	LT	11.5
		RT	11.5
TOTAL			46

PAVING SCHEDULE

LOCATION		35600712 HMA BASE COURSE WIDENING 9"	40600200 BITUMINOUS MATERIALS (PRIME COAT)	40600300 AGGREGATE (PRIME COAT)	40600625 LEVELING BINDER (MM), N50	40603310 HMA SURFACE COURSE, MIX C, N50	44000155 HMA SURFACE REMOVAL 1 1/2"
		(SQ YD)	(TON)	(TON)	(TON)	(TON)	(TON)
FAP 751 (IL 96) - SN 075-0024	294+17.00 TO 295+75.36	LT	0.13	0.66	16.2	27.8	331.3
		RT	0.13	0.69	16.9	29.0	345.8
	296+64.45 TO 298+15.00	LT	0.12	0.62	15.2	26.0	309.3
		RT	0.12	0.64	15.8	27.0	321.6
FAP 751 (IL 96) - SN 075-0004	22+190.00 TO 22+273.75	LT	46.5	0.06	0.30		11.5
		RT	46.5	0.06	0.30		11.5
	22+321.93 TO 22+405.00	LT	46.1	0.06	0.30		11.4
		RT	46.1	0.06	0.30		11.4
TOTAL		185	0.7	4	64	156	1905

TEMPORARY RAMP SCHEDULE

LOCATION		40600990 AREA (SQ YD)	
FAP 751 (IL 96) - SN 075-0024	294+17.00		17.8
	295+75.36		48.2
	296+64.45		48.2
	298+15.00		13.4
FAP 751 (IL 96) - SN 075-0004	221+90.00		17.8
	222+74.25		14.9
	223+21.43		14.9
	224+05.00		17.8
TOTAL			193

SHORT-TERM PAVEMENT MARKING SCHEDULE

LOCATION		70300100 LENGTH (FOOT)	
		NUMBER	
FAP 751 (IL 96) - SN 075-0024	294+17.00 TO 298+15.00	CENTERLINE	3
		EDGELINE	3
FAP 751 (IL 96) - SN 075-0004	221+90.00 TO 224+05.00	CENTERLINE	2
		EDGELINE	2
TOTAL			312

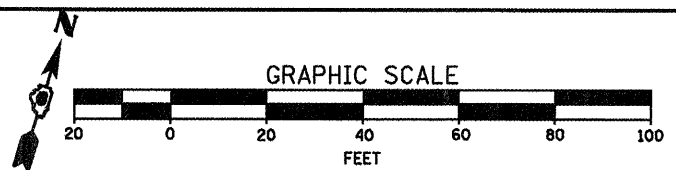
PAVEMENT MARKING SCHEDULE

LOCATION		70300230 TEMPORARY 5"	78001120 PAINT 5"	78100100 RAISED REFL MKR
		(FOOT)	(FOOT)	(EACH)
FAP 751 (IL 96) - SN 075-0024	293+42 TO 299+03	CENTERLINE	YELLOW SKIP DASH	150
	294+17 TO 298+15	RT EDGELINE	WHITE SOLID	398
	294+17 TO 298+15	LT EDGELINE	WHITE SOLID	398
FAP 751 (IL 96) - SN 075-0004	220+37 TO 225+58	CENTERLINE	YELLOW SKIP DASH	140
	221+90 TO 224+05	LT EDGELINE	WHITE SOLID	215
	221+90 TO 224+05	RT EDGELINE	WHITE SOLID	215
TOTAL		1516	1516	15

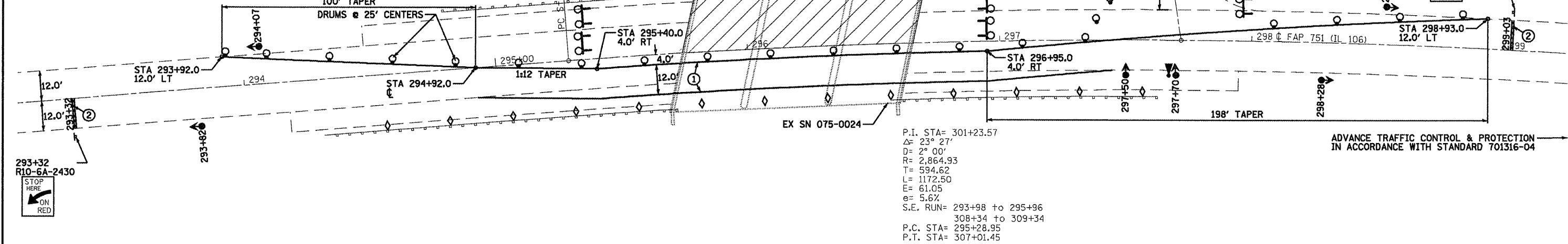
SN 075-0024 - STAGE 1 CONSTRUCTION

ADVANCE TRAFFIC CONTROL & PROTECTION IN ACCORDANCE WITH STANDARD 701316-04 AND AS DIRECTED BY THE ENGINEER.

GRAPHIC SCALE



ADVANCE TRAFFIC CONTROL & PROTECTION IN ACCORDANCE WITH STANDARD 701316-04



P.I. STA= 301+23.57
 Δ= 23° 27'
 D= 2° 00'
 R= 2,864.93
 T= 594.62
 L= 1172.50
 E= 61.05
 e= 5.6%
 S.E. RUN= 293+98 to 295+96
 308+34 to 309+34
 P.C. STA= 295+28.95
 P.T. STA= 307+01.45

SUGGESTED STAGE CONSTRUCTION SEQUENCE

PRELIMINARY:

1. ESTABLISH TWO-WAY, ONE-LANE TRAFFIC IN EASTBOUND LANE AND INSTALL STAGE 1 TRAFFIC CONTROL AS DETAILED HEREIN AND IN STANDARD 701316.

STAGE 1:

1. PERFORM DECK SLAB REPAIR.
2. SCARIFY BRIDGE DECK AND PERFORM ADDITIONAL DECK SLAB REPAIR IF REQUIRED.
3. PLACE MICROSILICA OVERLAY AND POLYMER CONCRETE.

STAGE 2:

1. RELOCATE STAGE TRAFFIC CONTROL AND SWITCH TRAFFIC TO WESTBOUND LANE.
2. PERFORM STAGE 2 BRIDGE REPAIRS IN SAME SEQUENCE AS STAGE 1.

FINAL:

1. REMOVE ALL STAGE CONTROL TO RE-ESTABLISH NORMAL TRAFFIC PATTERNS.
2. PERFORM HOT-MIX ASPHALT SURFACE REMOVAL. UTILIZE TRAFFIC CONTROL AND PROTECTION STANDARD 701306.
3. PLACE LEVELING BINDER AND HOT-MIX ASPHALT SURFACE COURSE. UTILIZE TRAFFIC CONTROL AND PROTECTION STANDARD 701306.
4. INSTALL SHORT-TERM PAVEMENT MARKINGS.
5. PERFORM BRIDGE DECK GROOVING.
6. APPLY PROTECTIVE COAT.
7. INSTALL SILICONE JOINT SEAL.
8. REMOVE SHORT-TERM PAVEMENT MARKINGS AND PLACE PERMANENT PAINT PAVEMENT MARKINGS.

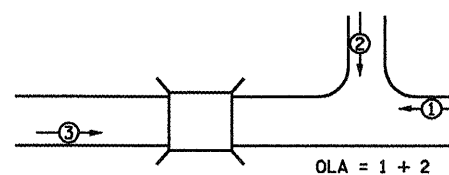
STAGE TRAFFIC CONTROL NOTES

1. THIS TRAFFIC CONTROL DETAIL SHALL BE USED IN CONJUNCTION WITH STANDARD 701316. ALL WORK REQUIRED TO SET UP, MAINTAIN, AND REMOVE TRAFFIC CONTROL AS DETAILED HEREIN AND IN STANDARD 701316 AND AS DIRECTED BY THE ENGINEER, SHALL BE INCLUDED IN THE COST FOR "TRAFFIC CONTROL AND PROTECTION, STANDARD 701316, LOCATION 1" EXCEPT FOR THE ITEMS SHOWN IN THE TRAFFIC CONTROL TOTAL BILL OF MATERIALS.
2. THE CONTRACTOR SHALL NOTIFY THE DISTRICT 6 TRAFFIC SECTION OF THE BUREAU OF OPERATIONS AT LEAST ONE WEEK PRIOR TO IMPLEMENTING STAGE TRAFFIC CONTROL.
3. EXISTING PAVEMENT MARKINGS THAT CONFLICT WITH THE REVISED STAGE TRAFFIC PATTERNS DURING ALL PHASES OF STAGE CONSTRUCTION SHALL BE REMOVED AS SPECIFIED IN SECTION 783 OF THE STANDARD SPECIFICATIONS AND PAID FOR AS "PAVEMENT MARKING REMOVAL".
4. THE CONTRACTOR SHALL MAINTAIN FULL OPERATION OF ALL SIDEROADS AND ACCESS TO ALL PROPERTIES DURING ALL PHASES OF CONSTRUCTION.

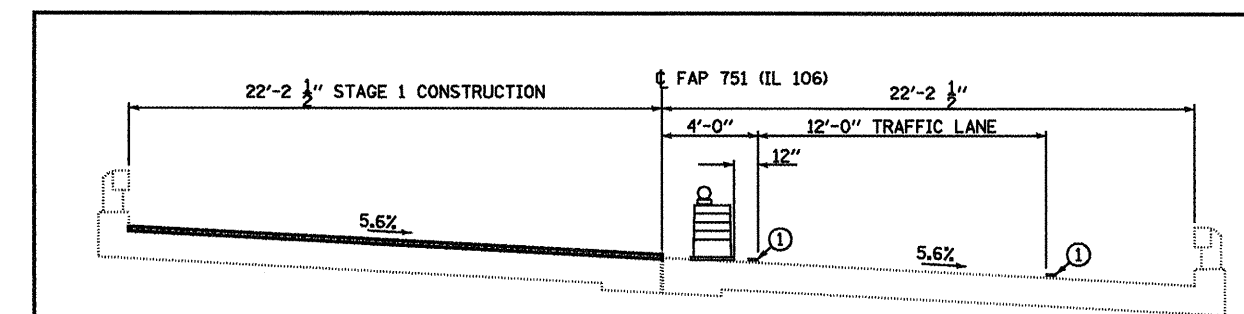
SYMBOLS

- ⊕ TYPE III BARRICADE WITH FLASHING LIGHTS
- ⊥ SIGN
- ⊙ DRUM WITH STEADY BURNING LIGHT
- ◀ TRAFFIC SIGNAL
- ▶ MICROWAVE DETECTOR SYSTEM ON 12'- 15' POLE
- ◇ CRYSTAL BIDIRECTIONAL PARAPET / GUARDRAIL MARKER
- ① PAVEMENT MARKING TAPE, TYPE III 5" (WHITE)
- ② PAVEMENT MARKING TAPE, TYPE III 24" (WHITE)

TEMPORARY PHASE DESIGNATION DIAGRAM



OLA = 1 + 2



TYPICAL SECTION - STAGE 1 CONSTRUCTION

S.N. 074-0024 - LOOKING EAST

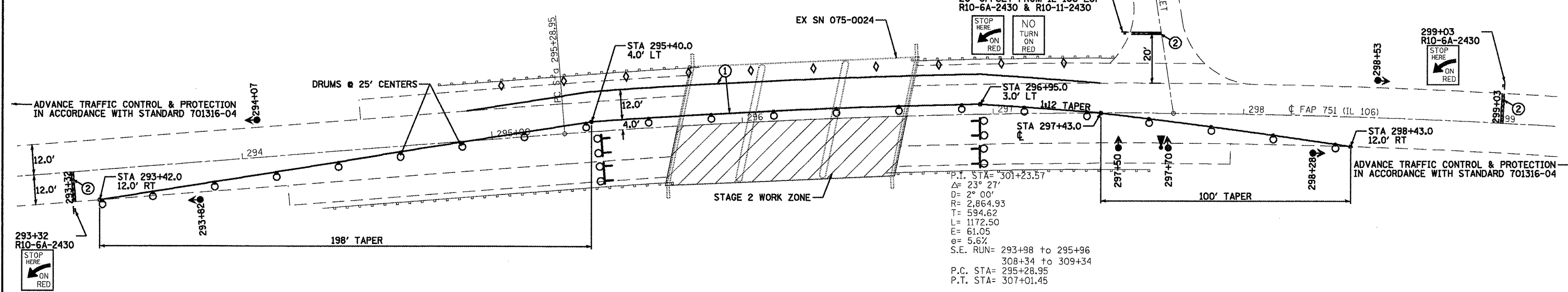
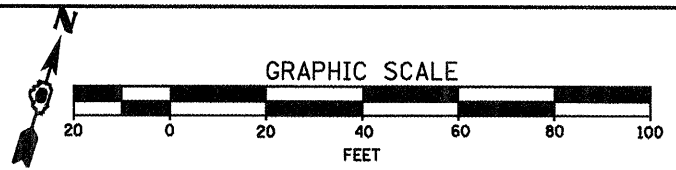
SEE STRUCTURE PLANS FOR ADDITIONAL DETAILS

FILE NAME =	USER NAME = coxte	DESIGNED -	REVISED -	STATE OF ILLINOIS DEPARTMENT OF TRANSPORTATION	TRAFFIC CONTROL AND PROTECTION DETAILS SN 074-0024	F.A.P. RTE.	SECTION	COUNTY	TOTAL SHEETS	SHEET NO.	
et:\pwork\p\1007\COXTE\183187\067204	ahh-staging.dgn	DRAWN -	REVISED -			751	D6 BRIDGE REPAIR 2009	PIKE	22	7	
	PLOT SCALE = 40,0000' / IN.	CHECKED -	REVISED -			CONTRACT NO. 72D44					
	PLOT DATE = Feb-18-2010 01:52:15PM	DATE -	REVISED -			FED. ROAD DIST. NO. ILLINOIS FED. AID PROJECT					

SN 075-0024 - STAGE 2 CONSTRUCTION

ADVANCE TRAFFIC CONTROL & PROTECTION IN ACCORDANCE WITH STANDARD 701316-04 AND AS DIRECTED BY THE ENGINEER.

20' OFFSET FROM IL 106 EOP R10-6A-2430 & R10-11-2430



PAVEMENT MARKING TAPE, TYPE III SCHEDULE

LOCATION	70300530	70300570
	5" (FOOT)	24" (FOOT)
293+32 STOP BAR		12
293+92 TO 298+93 LT EDGELINE	702	
294+92 TO 297+45 RT EDGELINE	252	
150TH STREET STOP BAR		13
229+03 STOP BAR		12
294+90 TO 297+43 LT EDGELINE	254	
293+42 TO 298+43 RT EDGELINE	701	
TOTAL	1909	37

WORK ZONE PAVEMENT MARKING REMOVAL SCHEDULE

PAY ITEM	LENGTH	70301000
	(FOOT)	(SQ FT)
70300100 SHORT-TERM	216	72.0
70300230 TEMPORARY 5"	946	394.2
70300530 TAPE TYPE III 5"	1909	795.4
70300570 TAPE TYPE III 24"	37	74.0
TOTAL		1335.6

TRAFFIC CONTROL BILL OF MATERIAL - LOCATION 1

ITEM	UNIT	QUANTITY
TRAFFIC CONTROL AND PROTECTION, STANDARD 701306	L SUM	1
TRAFFIC CONTROL AND PROTECTION, STANDARD 701316, LOCATION 1	EACH	1
TEMPORARY RUMBLE STRIP	EACH	6
PAVEMENT MARKING TAPE, TYPE III 5"	FOOT	1909
PAVEMENT MARKING TAPE, TYPE III 24"	FOOT	37
WORK ZONE PAVEMENT MARKING REMOVAL	SQ FT	1335.6
GUARDRAIL MARKERS, TYPE A	EACH	16
GUARDRAIL MARKERS, TYPE B	EACH	7
PAVEMENT MARKING REMOVAL	SQ FT	273.3
TEMPORARY BRIDGE TRAFFIC SIGNALS	EACH	1

■ - REQUIRED AT BOTH LOCATIONS, NOT TO BE PAID FOR SEPARATELY

SYMBOLS

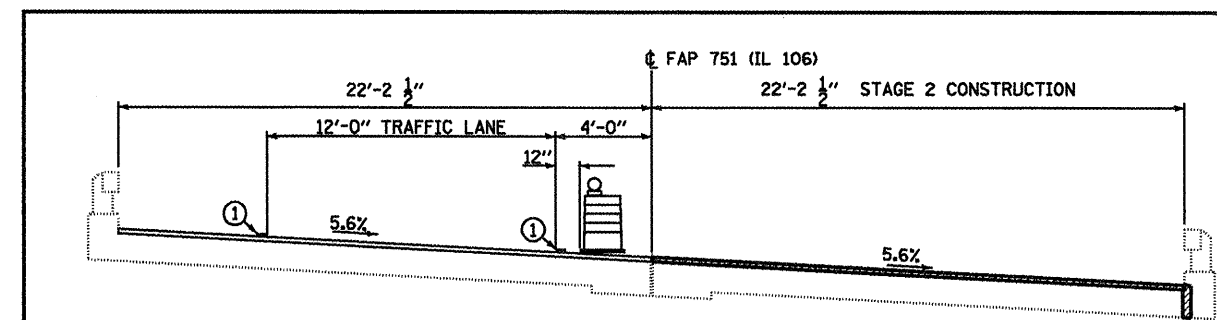
- TYPE III BARRICADE WITH FLASHING LIGHTS
- SIGN
- DRUM WITH STEADY BURNING LIGHT
- TRAFFIC SIGNAL
- MICROWAVE DETECTOR SYSTEM ON 12'- 15' POLE
- CRYSTAL BIDIRECTIONAL PARAPET / GUARDRAIL MARKER
- PAVEMENT MARKING TAPE, TYPE III 5" (WHITE)
- PAVEMENT MARKING TAPE, TYPE III 24" (WHITE)

GUARDRAIL MARKER SCHEDULE

LOCATION	STAGE	78200410	78200420
		TYPE A (EACH)	TYPE B (EACH)
294+30 TO 295+70 RT	1	5	
295+70 TO 296+56 RT	1		4
296+56 TO 297+62 RT	1	4	
294+80 TO 295+83 LT	2	4	
295+83 TO 296+68 LT	2		3
296+68 TO 297+48 LT	2	3	
TOTAL		16	7

PAVEMENT MARKING REMOVAL SCHEDULE

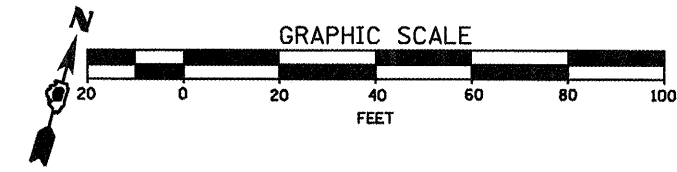
LOCATION	LENGTH (FOOT)	78300100
		AREA (SQ FT)
293+42 TO 299+03 CENTERLINE	150	62.5
294+92 TO 297+45 RT EDGELINE	253	105.4
294+90 TO 297+43 LT EDGELINE	253	105.4
TOTAL		273.3



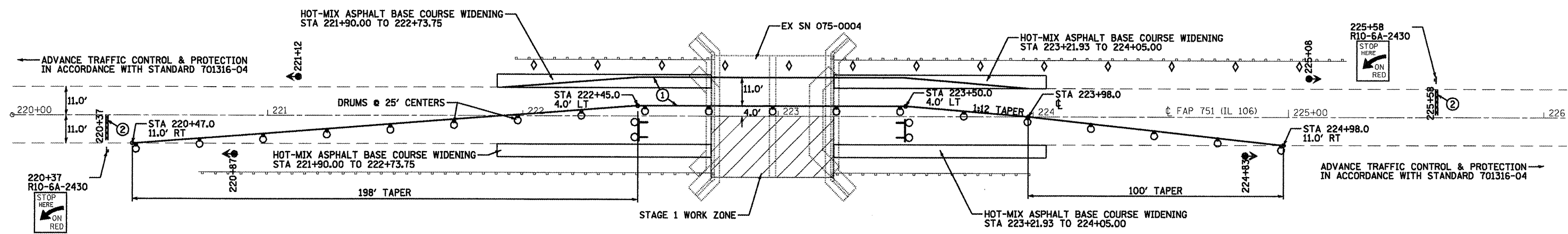
TYPICAL SECTION - STAGE 2 CONSTRUCTION

S.N. 074-0024 - LOOKING EAST

SEE STRUCTURE PLANS FOR ADDITIONAL DETAILS



SN 075-0004 - STAGE 1 CONSTRUCTION



SUGGESTED STAGE CONSTRUCTION SEQUENCE

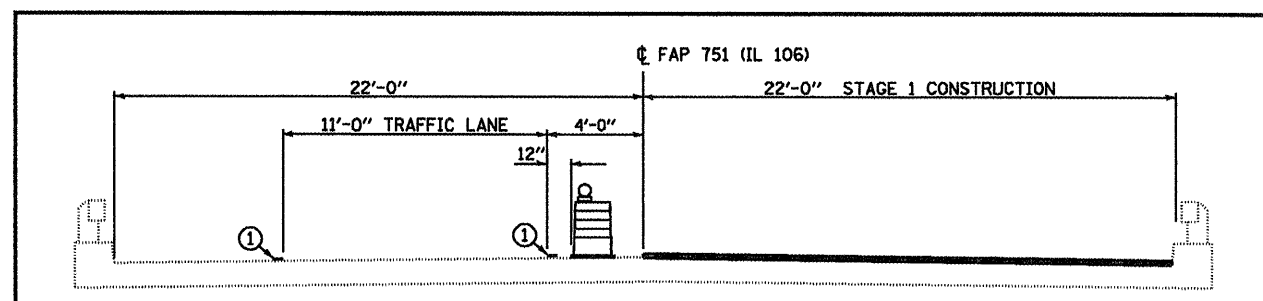
- PRELIMINARY:**
- CONSTRUCT ALL BITUMINOUS BASE COURSE WIDENING AS SHOWN IN THE PLANS. UTILIZE TRAFFIC CONTROL AND PROTECTION STANDARD 701326.
 - ESTABLISH TWO-WAY, ONE-LANE TRAFFIC IN WESTBOUND LANE AND INSTALL STAGE 1 TRAFFIC CONTROL AS DETAILED HEREIN AND IN STANDARD 701316.
- STAGE 1:**
- REMOVE EXISTING BRIDGE DECK CONCRETE OVERLAY.
 - PERFORM DECK SLAB REPAIR.
 - SCARIFY BRIDGE DECK AND PERFORM ADDITIONAL DECK SLAB REPAIR IF REQUIRED.
 - PLACE MICROSILICA OVERLAY & POLYMER CONCRETE.
- STAGE 2:**
- RELOCATE STAGE TRAFFIC CONTROL AND SWITCH TRAFFIC TO EASTBOUND LANE.
 - PERFORM STAGE 2 BRIDGE REPAIRS IN SAME SEQUENCE AS STAGE 1.
- FINAL:**
- REMOVE ALL STAGE CONTROL TO RE-ESTABLISH NORMAL TRAFFIC PATTERNS.
 - PERFORM HOT-MIX ASPHALT SURFACE REMOVAL. UTILIZE TRAFFIC CONTROL AND PROTECTION STANDARD 701306.
 - PLACE HOT-MIX ASPHALT SURFACE COURSE. UTILIZE TRAFFIC CONTROL AND PROTECTION STANDARD 701306.
 - INSTALL SHORT-TERM PAVEMENT MARKINGS.
 - PERFORM BRIDGE DECK GROOVING.
 - APPLY PROTECTIVE COAT.
 - REMOVE SHORT-TERM PAVEMENT MARKINGS AND PLACE PERMANENT PAINT PAVEMENT MARKINGS.

STAGE TRAFFIC CONTROL NOTES

- THIS TRAFFIC CONTROL DETAIL SHALL BE USED IN CONJUNCTION WITH STANDARD 701316. ALL WORK REQUIRED TO SET UP, MAINTAIN, AND REMOVE TRAFFIC CONTROL AS DETAILED HEREIN AND IN STANDARD 701316 AND AS DIRECTED BY THE ENGINEER, SHALL BE INCLUDED IN THE COST FOR "TRAFFIC CONTROL AND PROTECTION, STANDARD 701316, LOCATION 1" EXCEPT FOR THE ITEMS SHOWN IN THE TRAFFIC CONTROL TOTAL BILL OF MATERIALS.
- THE CONTRACTOR SHALL NOTIFY THE DISTRICT 6 TRAFFIC SECTION OF THE BUREAU OF OPERATIONS AT LEAST ONE WEEK PRIOR TO IMPLEMENTING STAGE TRAFFIC CONTROL.
- EXISTING PAVEMENT MARKINGS THAT CONFLICT WITH THE REVISED STAGE TRAFFIC PATTERNS DURING ALL PHASES OF STAGE CONSTRUCTION SHALL BE REMOVED AS SPECIFIED IN SECTION 783 OF THE STANDARD SPECIFICATIONS AND PAID FOR AS "PAVEMENT MARKING REMOVAL".
- THE CONTRACTOR SHALL MAINTAIN FULL OPERATION OF ALL SIDEROADS AND ACCESS TO ALL PROPERTIES DURING ALL PHASES OF CONSTRUCTION.

SYMBOLS

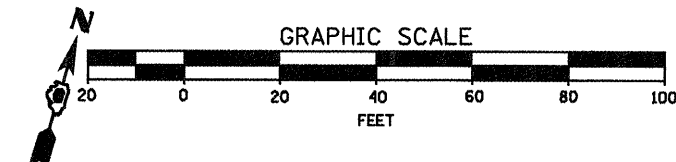
- TYPE III BARRICADE WITH FLASHING LIGHTS
- SIGN
- DRUM WITH STEADY BURNING LIGHT
- TRAFFIC SIGNAL
- MICROWAVE DETECTOR SYSTEM ON 12'- 15' POLE
- CRYSTAL BIDIRECTIONAL PARAPET / GUARDRAIL MARKER
- PAVEMENT MARKING TAPE, TYPE III 5" (WHITE)
- PAVEMENT MARKING TAPE, TYPE III 24" (WHITE)



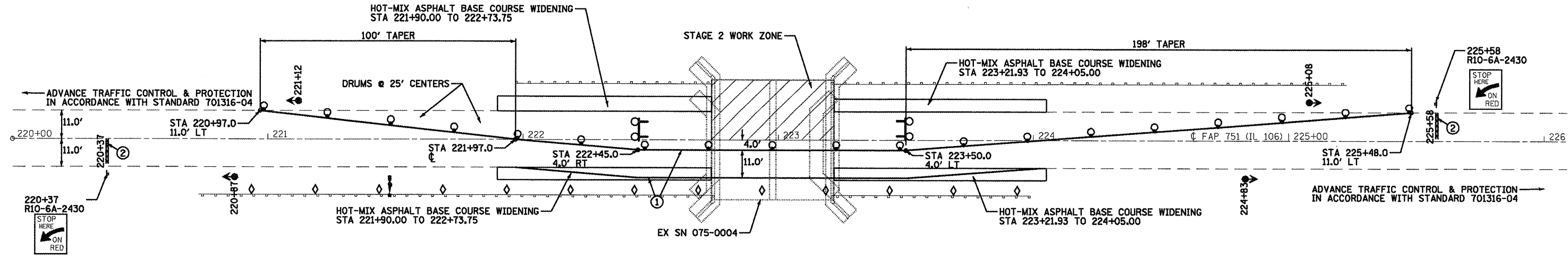
TYPICAL SECTION - STAGE 1 CONSTRUCTION

S.N. 074-0004 - LOOKING EAST
SEE STRUCTURE PLANS FOR ADDITIONAL DETAILS

FILE NAME =	USER NAME = coxte	DESIGNED -	REVISED -	STATE OF ILLINOIS DEPARTMENT OF TRANSPORTATION	TRAFFIC CONTROL AND PROTECTION DETAILS SN 074-0004	F.A.P. RTE.	SECTION	COUNTY	TOTAL SHEETS	SHEET NO.
c:\pwwork\pwwork\COXTE\0183187\0672044-ahs-staging.dgn	DRAWN -	REVISED -	751			D6 BRIDGE REPAIR 2009	PIKE	22	9	
PLOT SCALE = 48,0000' / IN.	CHECKED -	REVISED -	CONTRACT NO. 72D44							
PLOT DATE = Feb-10-2010 01:52:21PM	DATE -	REVISED -	FED. ROAD DIST. NO. ILLINOIS FED. AID PROJECT							
					SCALE: 1" = 20'	SHEET NO. 1 OF 2 SHEETS		STA.	TO STA.	



SN 075-0004 - STAGE 2 CONSTRUCTION



PAVEMENT MARKING TAPE, TYPE III SCHEDULE

LOCATION	70300530	70300570
	5" (FOOT)	24" (FOOT)
220+37 STOP BAR		11
220+47 TO 224+98 RT EDGELINE	453	
221+92 TO 223+98 LT EDGELINE	206	
225+58 STOP BAR		11
220+97 TO 225+48 LT EDGELINE	453	
221+97 TO 224+03 RT EDGELINE	206	
TOTAL	1318	22

WORK ZONE PAVEMENT MARKING REMOVAL SCHEDULE

PAY ITEM	LENGTH (FOOT)	70301000
		AREA (SQ FT)
70300100 SHORT-TERM	96	32.0
70300230 TEMPORARY 5"	570	237.5
70300530 TAPE TYPE III 5"	1318	549.2
70300570 TAPE TYPE III 24"	22	44.0
TOTAL		862.7

TRAFFIC CONTROL BILL OF MATERIAL - LOCATION 2

ITEM	UNIT	QUANTITY
TRAFFIC CONTROL AND PROTECTION, STANDARD 701306	L SUM	1
TRAFFIC CONTROL AND PROTECTION, STANDARD 701326	L SUM	1
TRAFFIC CONTROL SURVEILLANCE	CAL DA	4
TRAFFIC CONTROL AND PROTECTION, STANDARD 701316, LOCATION 2	EACH	1
TEMPORARY RUMBLE STRIP	EACH	6
PAVEMENT MARKING TAPE, TYPE III 5"	FOOT	1318
PAVEMENT MARKING TAPE, TYPE III 24"	FOOT	22
WORK ZONE PAVEMENT MARKING REMOVAL	SQ FT	862.7
GUARDRAIL MARKERS, TYPE A	EACH	22
GUARDRAIL MARKERS, TYPE B	EACH	4
PAVEMENT MARKING REMOVAL	SQ FT	229.9
TEMPORARY BRIDGE TRAFFIC SIGNALS	EACH	1

SYMBOLS

- TYPE III BARRICADE WITH FLASHING LIGHTS
- SIGN
- DRUM WITH STEADY BURNING LIGHT
- TRAFFIC SIGNAL
- MICROWAVE DETECTOR SYSTEM ON 12'- 15' POLE
- CRYSTAL BIDIRECTIONAL PARAPET / GUARDRAIL MARKER
- PAVEMENT MARKING TAPE, TYPE III 5" (WHITE)
- PAVEMENT MARKING TAPE, TYPE III 24" (WHITE)

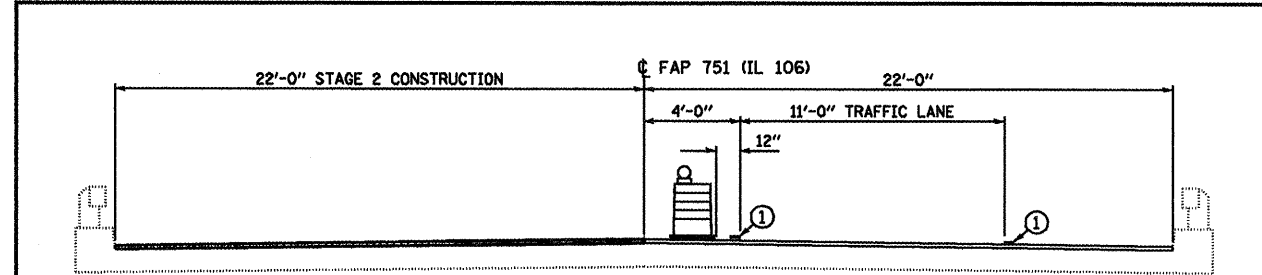
GUARDRAIL MARKER SCHEDULE

LOCATION	STAGE	78200410	78200420
		TYPE A (EACH)	TYPE B (EACH)
221+98 TO 222+75 LT	1	3	
222+75 TO 223+21 LT	1		2
223+21 TO 225+23 LT	1	8	
220+73 TO 222+75 RT	2	8	
222+75 TO 223+21 RT	2		2
223+21 TO 223+99 RT	2	3	
TOTAL		22	4

PAVEMENT MARKING REMOVAL SCHEDULE

LOCATION	LENGTH (FOOT)	78300100
		AREA (SQ FT)
220+37 TO 225+58 CENTERLINE	140	58.3
221+92 TO 223+98 LT EDGELINE	206	85.8
221+97 TO 224+03 RT EDGELINE	206	85.8
TOTAL		229.9

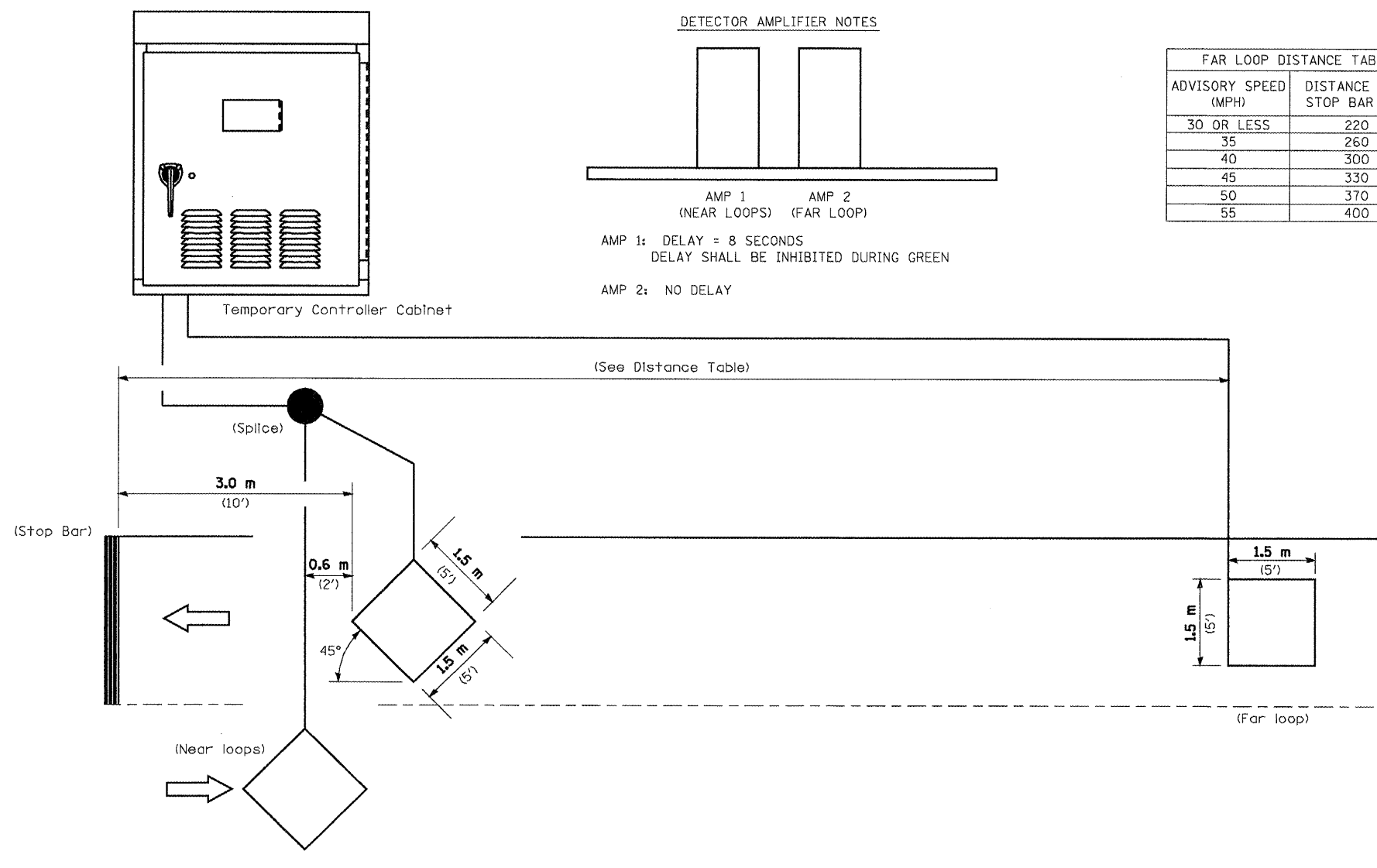
* - REQUIRED AT BOTH LOCATIONS, NOT TO BE PAID FOR SEPARATELY



TYPICAL SECTION - STAGE 2 CONSTRUCTION

S.N. 074-0004 - LOOKING EAST

SEE STRUCTURE PLANS FOR ADDITIONAL DETAILS

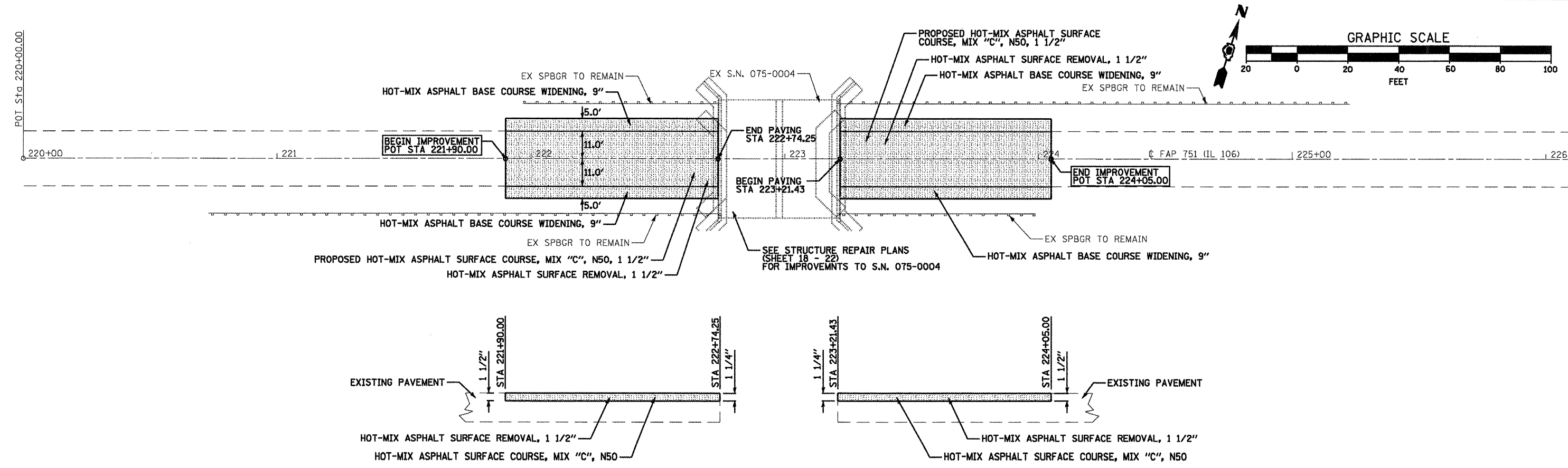
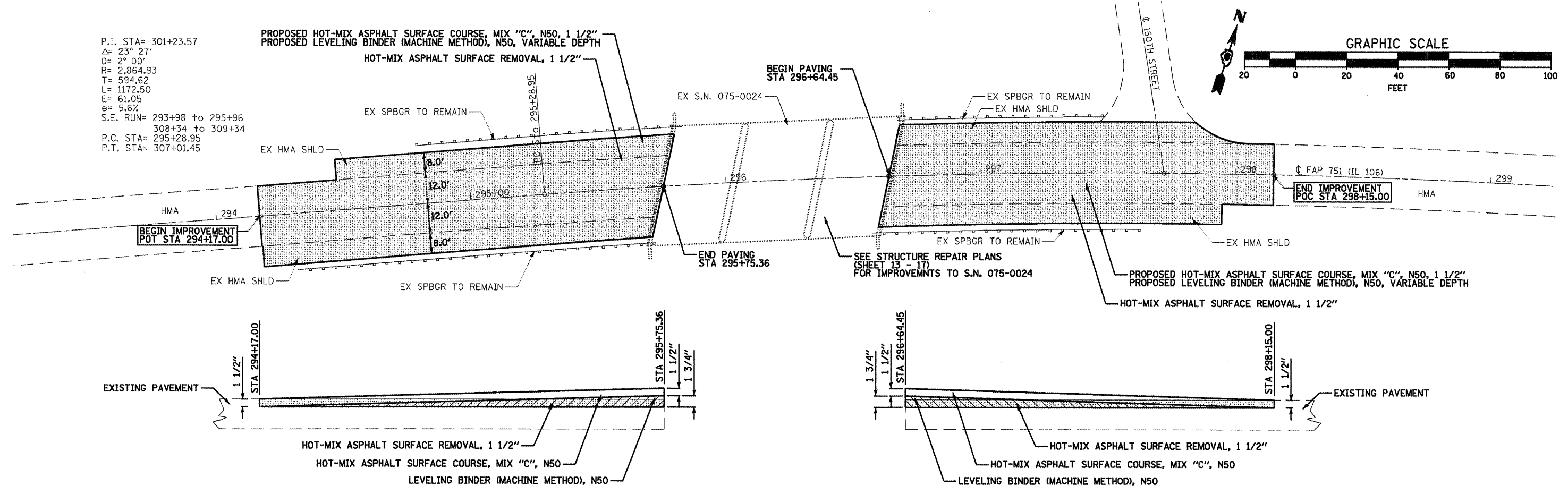


NOTE: All loops centered in lane.

INDUCTION LOOP DETECTOR

FILE NAME = c:\pw_work\PIWIDOT\COXTE\0183107\067204	USER NAME = coxte 4-shr-tagging.dgn	DESIGNED -	REVISED -	STATE OF ILLINOIS DEPARTMENT OF TRANSPORTATION	TEMPORARY BRIDGE TRAFFIC SIGNAL LOOP PLACEMENT DETAIL			F.A.P. RTE. 751	SECTION D6 BRIDGE REPAIR 2009	COUNTY PIKE	TOTAL SHEETS 22	SHEET NO. 11
PLOT SCALE = 48.0000' / IN.					SCALE: NONE	SHEET NO. 1	OF 1 SHEETS	STA.	TO STA.	CONTRACT NO. 72D44		
PLOT DATE = Feb-10-2010 01:52:27PM					DATE -	FED. ROAD DIST. NO. ILLINOIS FED. AID PROJECT						
DRAWN -		REVISED -										
CHECKED -		REVISED -										
DATE -		REVISED -										

P.I. STA= 301+23.57
 $\Delta = 23^\circ 27'$
 $D = 2^\circ 00'$
 $R = 2,864.93$
 $T = 594.62$
 $L = 1172.50$
 $E = 61.05$
 $e = 5.6\%$
 S.E. RUN= 293+98 to 295+96
 308+34 to 309+34
 P.C. STA= 295+28.95
 P.T. STA= 307+01.45



FILE NAME =	USER NAME = coxte	DESIGNED -	REVISED -	STATE OF ILLINOIS DEPARTMENT OF TRANSPORTATION	F.A.P. RTE.	SECTION	COUNTY	TOTAL SHEETS	SHEET NO.
e:\pwwork\p\m\DOT\COXTE\j\0183187\0672044-shr-plon01.dgn		DRAWN -	REVISED -		751	D6 BRIDGE REPAIR 2009	PIKE	22	12
PLOT SCALE = 48.0000' / IN.		CHECKED -	REVISED -		CONTRACT NO. 72D44				
PLOT DATE = Feb-18-2010 01:52:29PM		DATE -	REVISED -		FED. ROAD DIST. NO.	ILLINOIS FED. AID PROJECT			

Existing Structure: SN 075-0024 is a thru span concrete continuous slab structure with closed abutments & solid piers. This structure was built in 1964. It has an overall length of 91'-6" back to back abutment and a 46'-10 1/2" out to out deck with expansion joints and longitudinal joint were replaced in 1997. There is no reconstruction history since 1997.

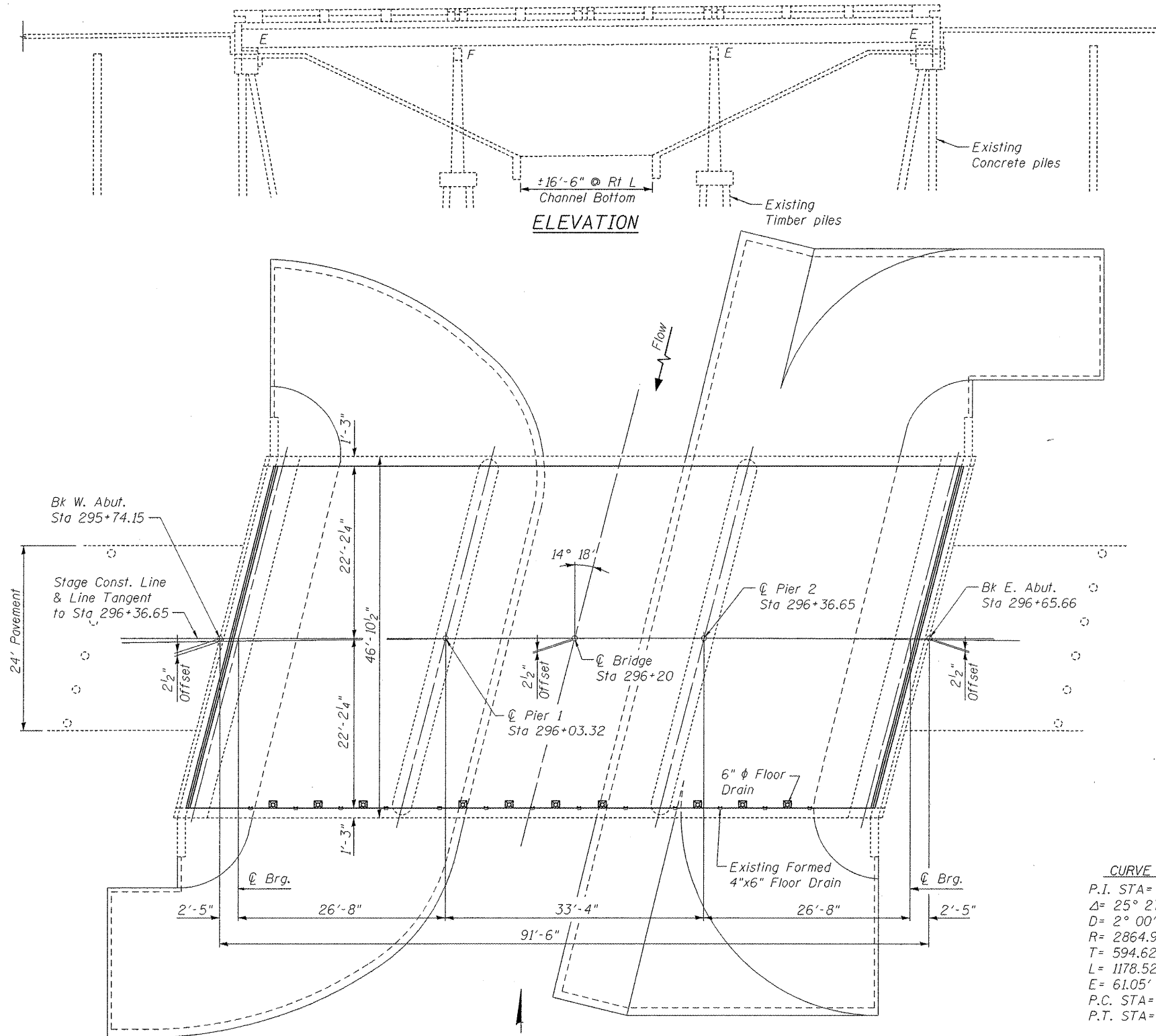
Structure improvements include hydro-scarification of the deck, plugging existing floor drains, adding new deck drains, placing microsilica overlay, and placing polymer concrete & silicone joint sealer at the expansion joints.

Traffic to be maintained utilizing stage construction.

No salvage.

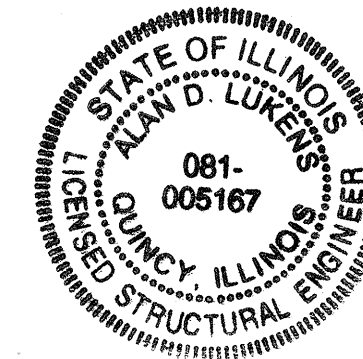
Plan dimensions and details relative to existing plans are subject to nominal construction variations. The contractor shall field verify existing dimensions and details affecting new construction and make necessary approved adjustments prior to construction or ordering of materials. Such variations shall not be cause for additional compensation for a change in scope of the work. However, the contractor will be paid for the quantity actually furnished at the unit price bid for the work.

All repair work associated with the bridges shall be completed by stage construction utilizing TC&P, Standard 701316 as detailed in these repair plans.



TOTAL BILL OF MATERIALS		
ITEM	UNIT	TOTAL
BRIDGE DECK GROOVING	SQ YD	419
BRIDGE DECK HYDRO-SCARIFICATION 1/2"	SQ YD	438
BRIDGE DECK MICROSILICA CONCRETE OVERLAY 2 1/4"	SQ YD	431
FLOOR DRAINS	EACH	10
POLYMER CONCRETE	CU FT	10.0
PLUG EXISTING FLOOR DRAINS	EACH	13
PROTECTIVE COAT	SQ YD	475
SILICONE JOINT SEALER	FOOT	92.0

CURVE DATA
 P.I. STA = 301+23.57
 Δ = 25° 27'
 D = 2° 00'
 R = 2864.98'
 T = 594.62
 L = 1178.52
 E = 61.05'
 P.C. STA = 295+28.05
 P.T. STA = 307+01.45



Alan D. Lukens 2.10.10
 Alan D. Lukens
 Licensed Structural Engineer
 State of Illinois No. 081-005167
 License Expires 11/30/10

GENERAL PLAN & ELEVATION
IL 106 OVER THE SNY RIVER
SN 075-0024

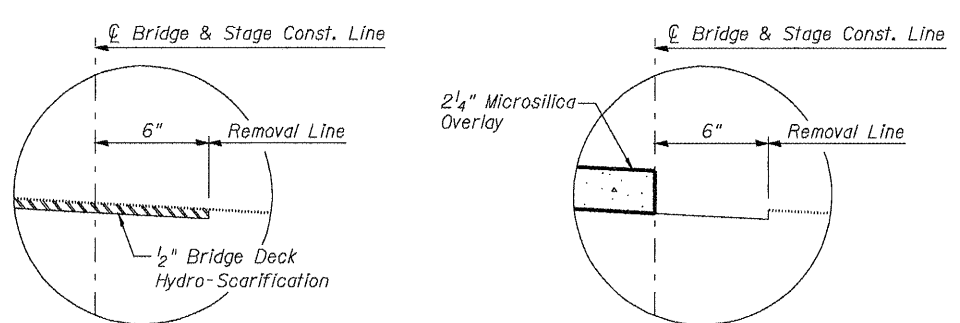
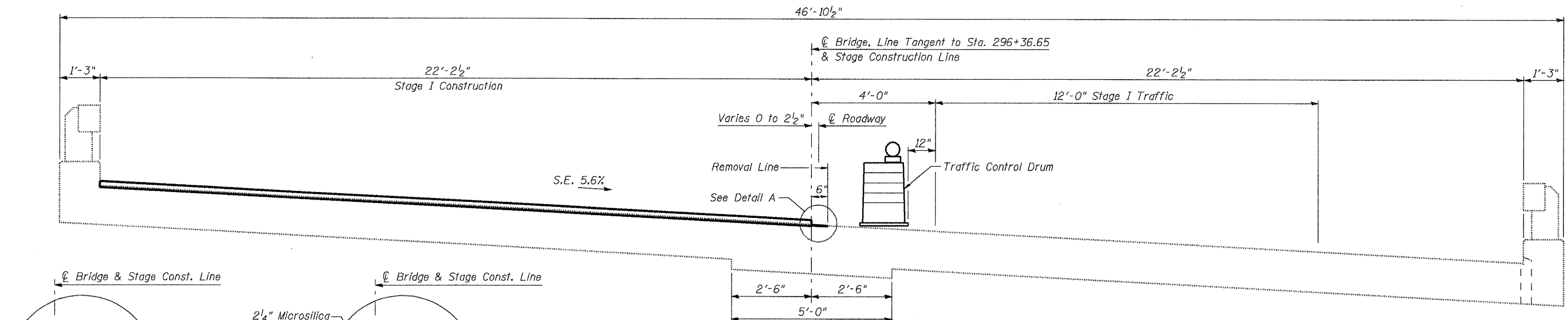
DESIGNED *KTH*
 CHECKED *ADL*
 DRAWN *KTH/BGJ*
 CHECKED *ADL*

KLINGNER & ASSOCIATES, P.C.
 Engineers • Architects • Surveyors

616 North 74th Street, Muncie, IN Ph: (317) 223-3678 • Fax: (317) 223-3683
 4500 Paris Green Road, Harrodsburg, IN Ph: (812) 221-9029 • Fax: (812) 221-9002
 1108 N. 4th Street, Suite 100, Indianapolis, IN Ph: (317) 753-1636 • Fax: (317) 752-3995
 49 North Prairie Street, Leeburg, IL Ph: (815) 342-4942 • Fax: (815) 342-3781
 Internet Address: www.klingner.com
 STATE OF ILLINOIS DESIGN FIRM # 1842738

SHEET NO. 1	F.A.P. RTE.	SECTION	COUNTY	TOTAL SHEETS	SHEET NO.
5 SHEETS	751	D6 BRIDGE REPAIR 2009	PIKE	22	13
FED. ROAD DIST. NO. _			ILLINOIS FED. AID PROJECT		
CONTRACT NO. 72D44					

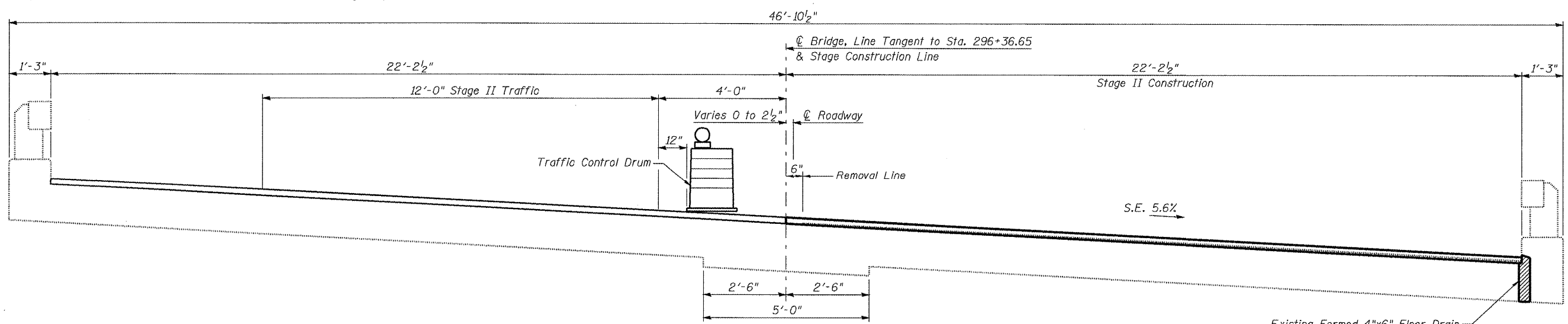
Feb-10-2010 01:52:38PM



DETAIL A
(Showing Removal)

DETAIL A
(Showing Proposed)

STAGE I CONSTRUCTION
(Looking East)



STAGE II CONSTRUCTION
(Looking East)

Existing Formed 4"x6" Floor Drain
Coat the Interior with a Bonding
Agent & Plug with Concrete

STAGING
IL 106 OVER THE SNY RIVER
SN 075-0024

DESIGNED	KTH
CHECKED	ADL
DRAWN	KTH/BGJ
CHECKED	ADL

KLINGNER & ASSOCIATES, P.C.
Engineers • Architects • Surveyors

615 North 7th Street, Quincy, IL 62422
 608 Perry Street, Rock Island, IL 61201
 608 N. 10th Street, Suite 100, Burlington, IL 62018
 111 North Perry Street, Carbondale, IL 62901

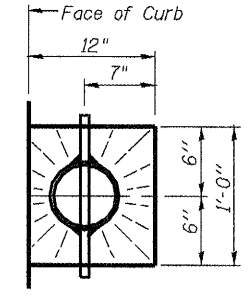
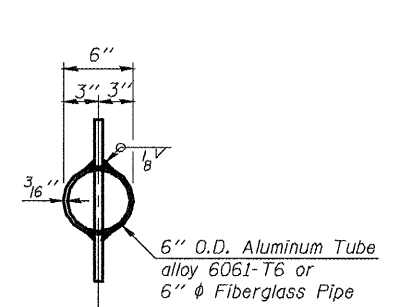
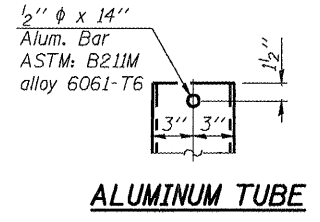
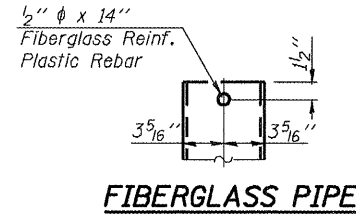
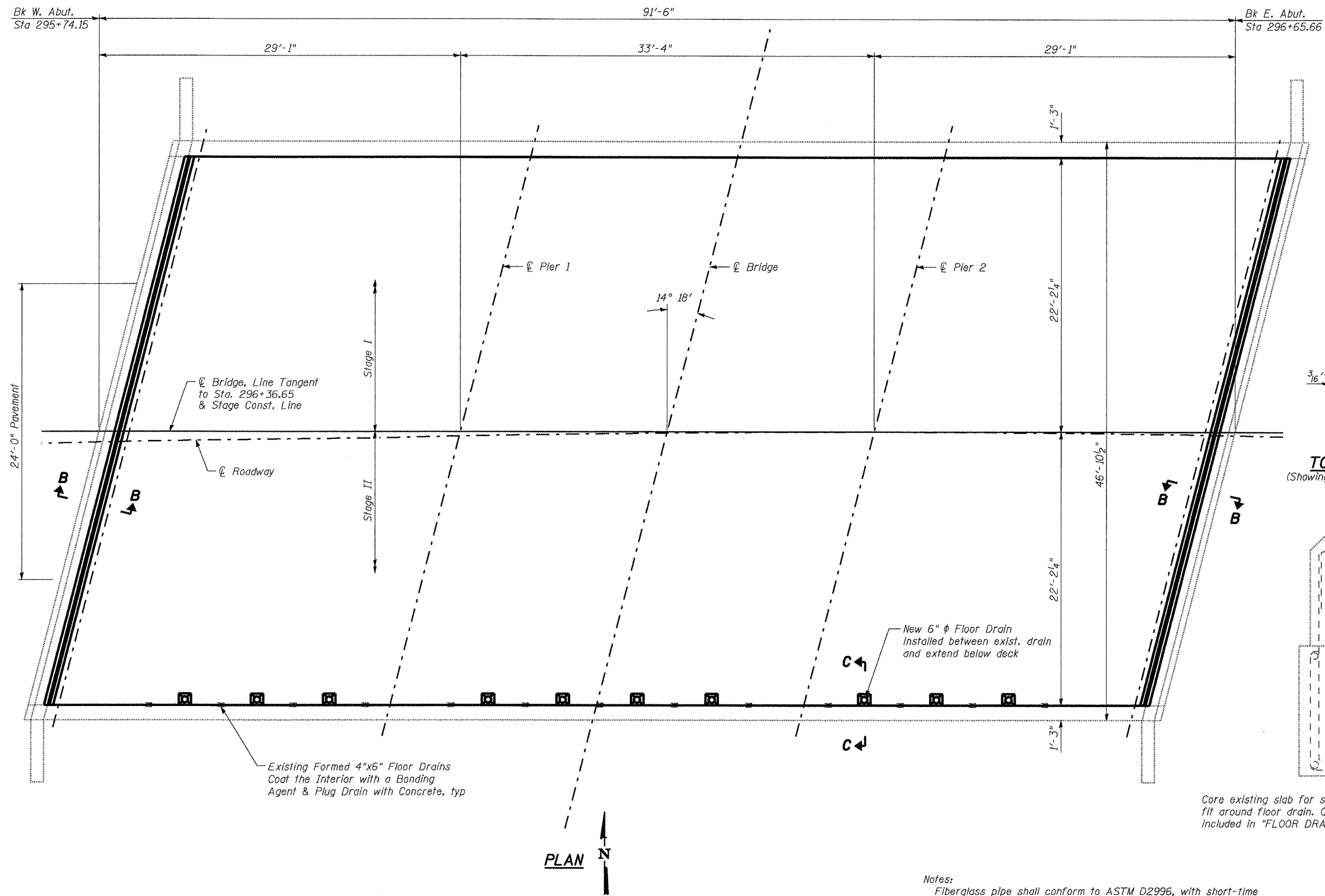
Ph: (217) 223-2678 - Fax: (217) 223-2683
 Ph: (314) 221-8858 - Fax: (314) 221-8822
 Ph: (618) 753-3336 - Fax: (618) 753-3386
 Ph: (618) 342-1842 - Fax: (618) 341-3788

www.klingner.com
STATE OF ILLINOIS DESIGN FIRM # 1842736

SHEET NO. 2 5 SHEETS	F.A.P. RTE.	SECTION	COUNTY	TOTAL SHEETS	SHEET NO.
	751	D6 BRIDGE REPAIR 2009	PIKE	22	14
FED. ROAD DIST. NO.			ILLINOIS FED. AID PROJECT		
CONTRACT NO. 72D44					

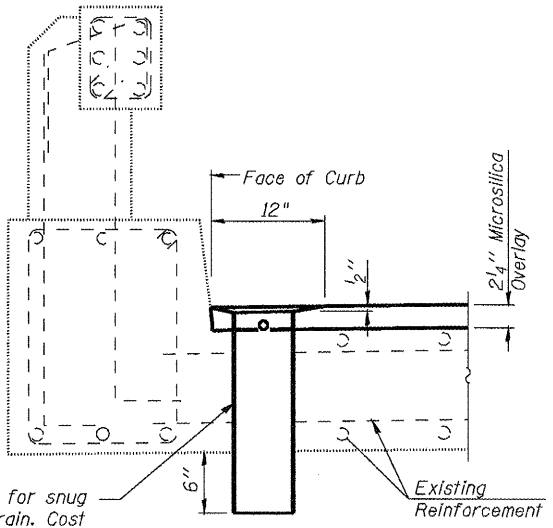
Klingner & Associates P.C.

Feb-10-2010 01:52:40PM



TOP PLAN (Showing Aluminum Tube)

TOP PLAN



SECTION C-C

Notes:
 Fiberglass pipe shall conform to ASTM D2996, with short-time rupture strength hoop tensile stress of 30,000 p.s.i. minimum.
 The exterior surfaces of the floor drains shall be coated or pigmented by the manufacturer with a color that matches the concrete.

**SUPERSTRUCTURE PLAN
 IL 106 OVER THE SNY RIVER
 SN 075-0024**

DESIGNED	KTH
CHECKED	ADL
DRAWN	KTH/BGJ
CHECKED	ADL

KLINGNER & ASSOCIATES, P.C.
 Engineers - Architects - Surveyors

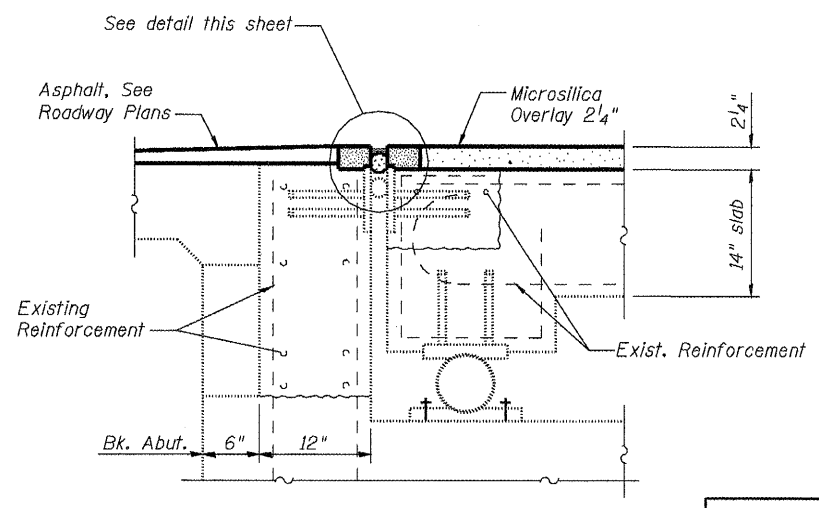
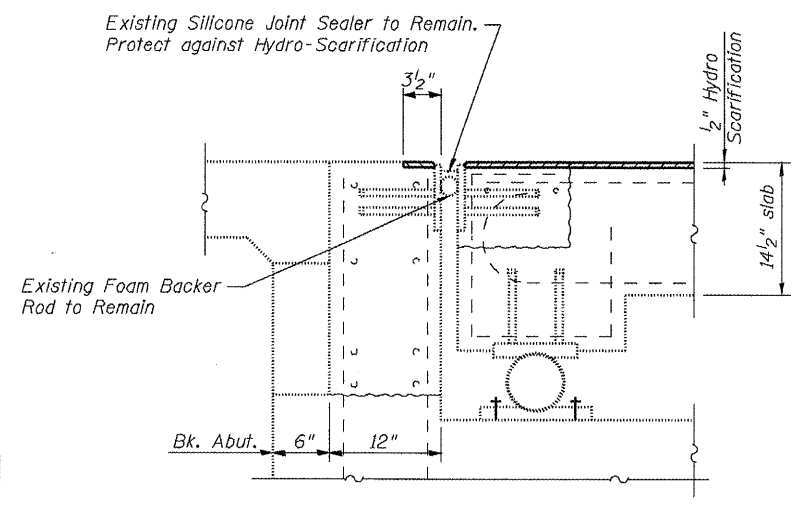
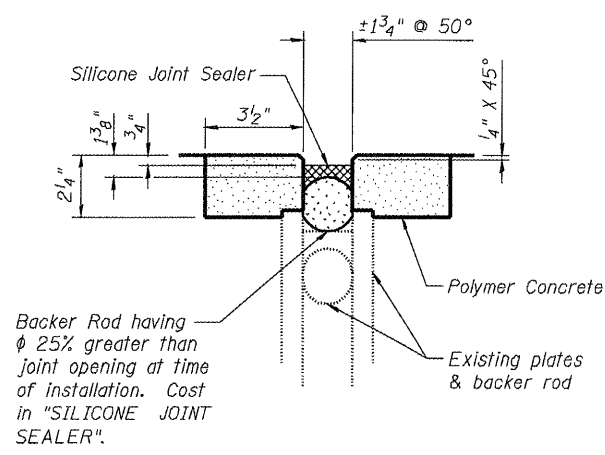
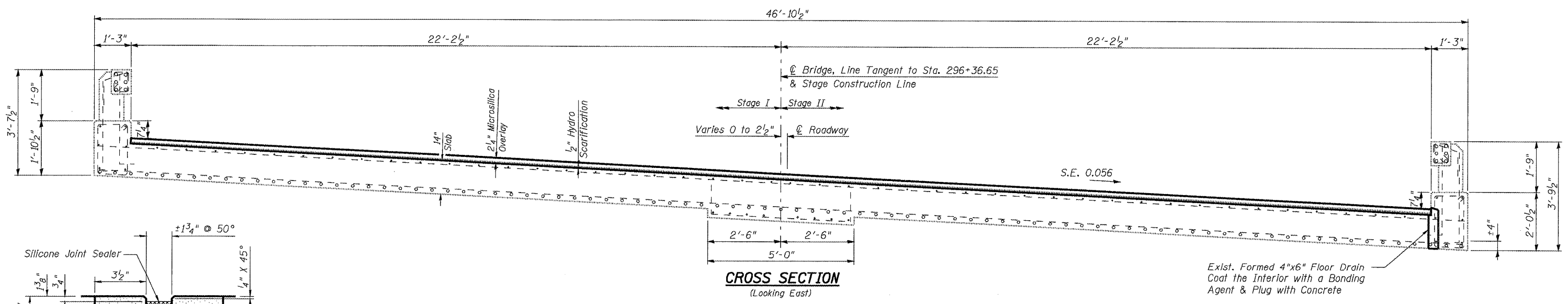
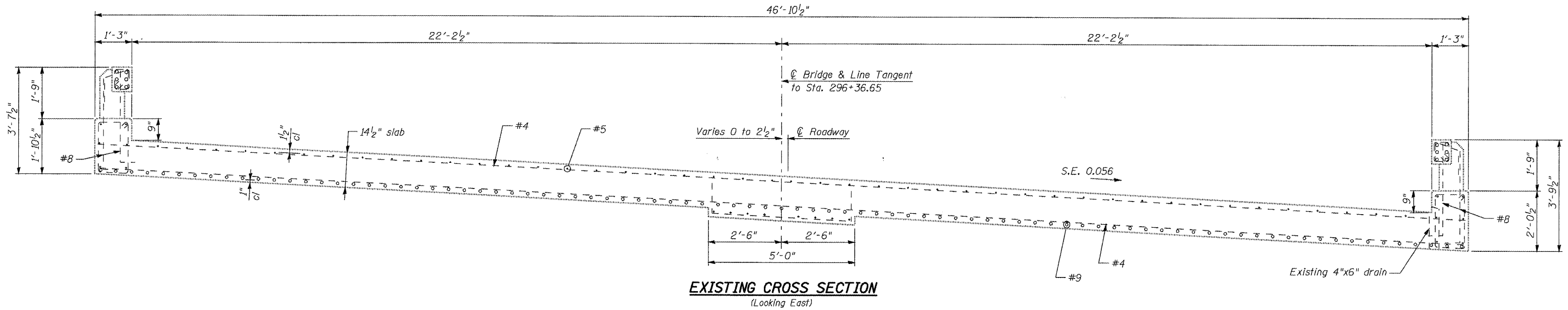
605 North 216th Street, Aurora, IL
 600 Parsippany Road, Marshall, MD
 100 N. 116th Street, Suite 100, Arlington, IL
 401 N. 4th Street, Galena, IL

Ph: (708) 225-3670 - Fax: (708) 225-3683
 Ph: (410) 225-8820 - Fax: (410) 225-8822
 Ph: (815) 252-1230 - Fax: (815) 252-3355
 Ph: (815) 342-4842 - Fax: (815) 342-3781

Internet Address: www.klingner.com

STATE OF ILLINOIS DESIGN FIRM # 1842738

SHEET NO. 3 5 SHEETS	F.A.P. RTE.	SECTION	COUNTY	TOTAL SHEETS	SHEET NO.
	751	D6 BRIDGE REPAIR 2009	PIKE	22	15
FED. ROAD DIST. NO.			ILLINOIS	FED. AID PROJECT	
CONTRACT NO. 72D44					



SUPERSTRUCTURE DETAILS
IL 106 OVER THE SNY RIVER
SN 075-0024

DESIGNED	KTH
CHECKED	ADL
DRAWN	KTH/BGJ
CHECKED	ADL

KLINGNER & ASSOCIATES, P.C.
 Engineers - Architects - Surveyors

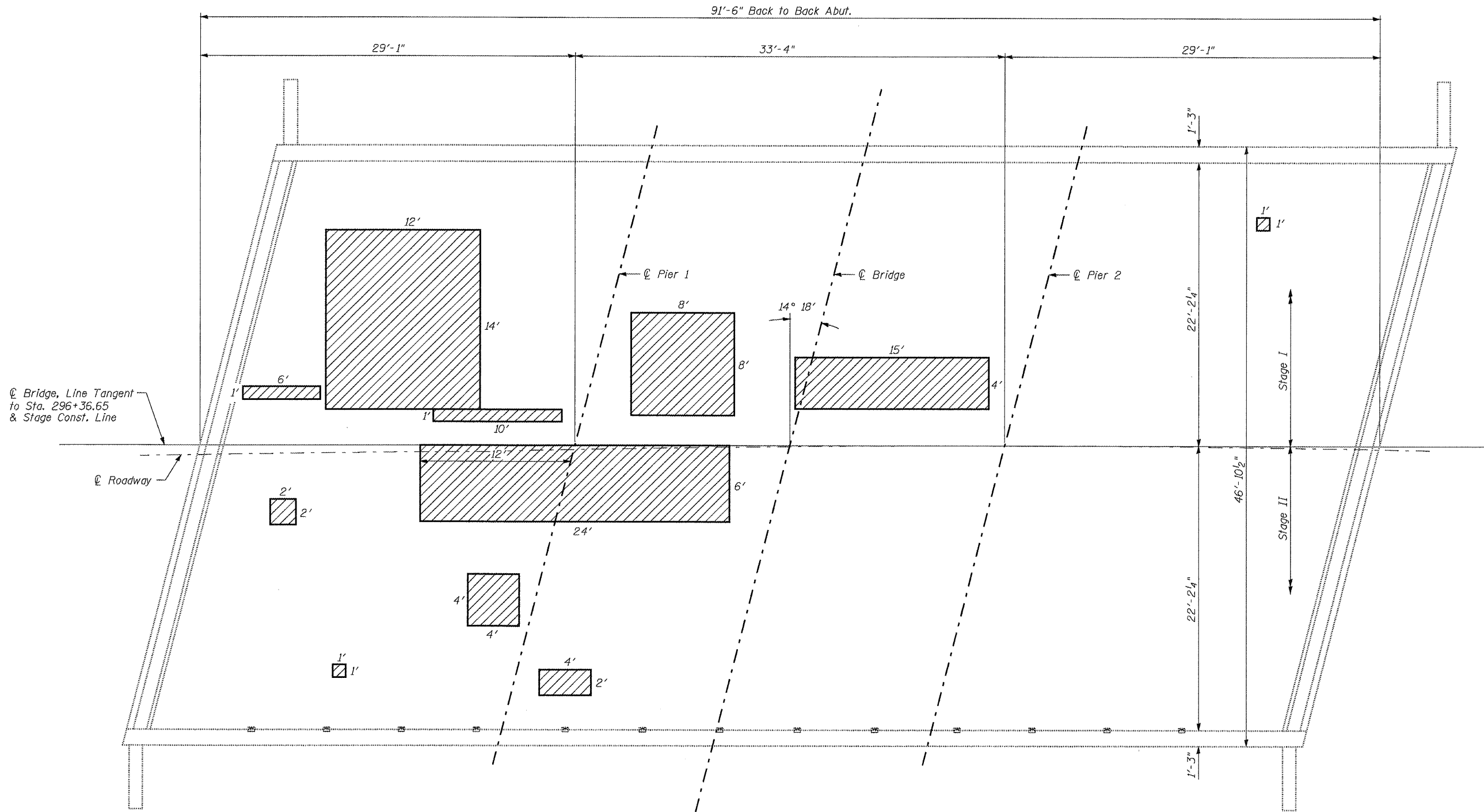
85 North 216 Street, Quincy, IL
 438 Paris Street, Rock Island, IL
 1814 1/2 Street, East Moline, Illinois, IL
 1919 1/2 North Street, Champaign, IL

Ph: (309) 223-3670 - Fax: (309) 223-3683
 Ph: (309) 223-3670 - Fax: (309) 223-3682
 Ph: (309) 753-0289 - Fax: (309) 753-0285
 Ph: (309) 542-4842 - Fax: (309) 542-3782

Internet Address: www.klingner.com

STATE OF ILLINOIS DESIGN FIRM # 1842738

SHEET NO. 4 5 SHEETS	F.A.P. RTE.	SECTION	COUNTY	TOTAL SHEETS	SHEET NO.
	751	D6 BRIDGE REPAIR 2009	PIKE	22	16
FED. ROAD DIST. NO.			ILLINOIS FED. AID PROJECT		
CONTRACT NO. 72D44					



PLAN

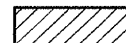
**DECK PATCHING PLAN
IL 106 OVER THE SNY RIVER
SN 075-0024**

DESIGNED	KTH
CHECKED	ADL
DRAWN	KTH/BGJ
CHECKED	ADL

KLINGNER & ASSOCIATES, P.C.
Engineers - Architects - Surveyors

68 North 24th Street, Quincy, IL 62422-3670 Ph: (618) 223-3670 Fax: (618) 223-3683
 638 Paris Street, Hannibal, MO 64543 Ph: (661) 223-8829 Fax: (661) 223-8822
 616 1/2 State Street, St. Louis, MO 63101 Ph: (314) 342-1338 Fax: (314) 342-1335
 191 North First Street, St. Louis, MO 63102 Ph: (314) 342-1842 Fax: (314) 342-1328
 Internet Address: www.klingner.com

STATE OF ILLINOIS DESIGN FIRM # 1942738

 Deck Slab Repair (Partial Depth) - 54 SQ. YD.
 Note: Partial Depth Repair shall be achieved by bridge deck hydro-scarification and filled with microsilica concrete overlay. Cost included in "BRIDGE DECK HYDRO-SCARIFICATION 1/2" " and "BRIDGE DECK MICROSILICA CONCRETE OVERLAY 2 1/4" "

SHEET NO. 5 5 SHEETS	F.A.P. RTE.	SECTION	COUNTY	TOTAL SHEETS	SHEET NO.
	751	D6 BRIDGE REPAIR 2009	PIKE	22	17
FED. ROAD DIST. NO.			ILLINOIS FED. AID PROJECT		
CONTRACT NO. 72D44					

Existing Structure: SN 075-0004, built in 1955, is a two span concrete continuous slab structure with closed abutments. It has an overall length of 48'-2" back to back abutment and 47'-4" out to out of deck. The existing deck has a 2" concrete overlay, construction date unknown.

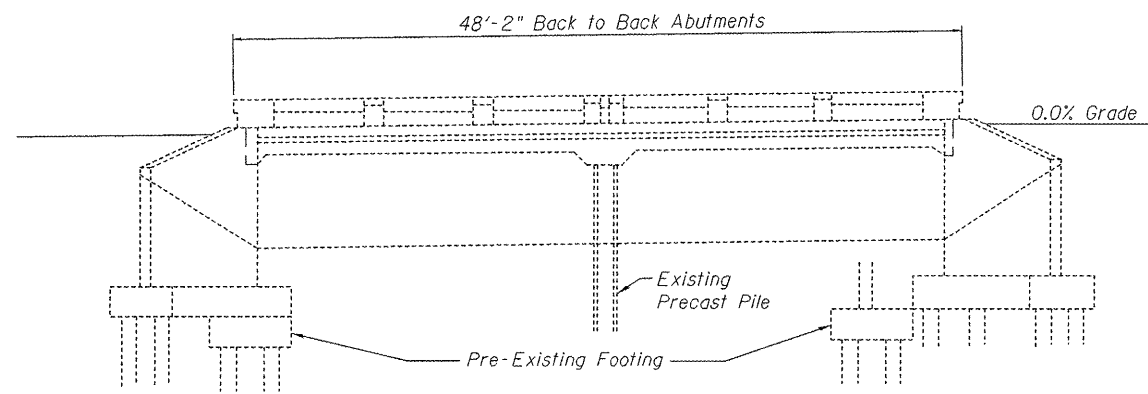
Structure improvements include hydro-scarification of the deck, placing microsilica overlay and polymer concrete.

Traffic to be maintained utilizing stage construction.

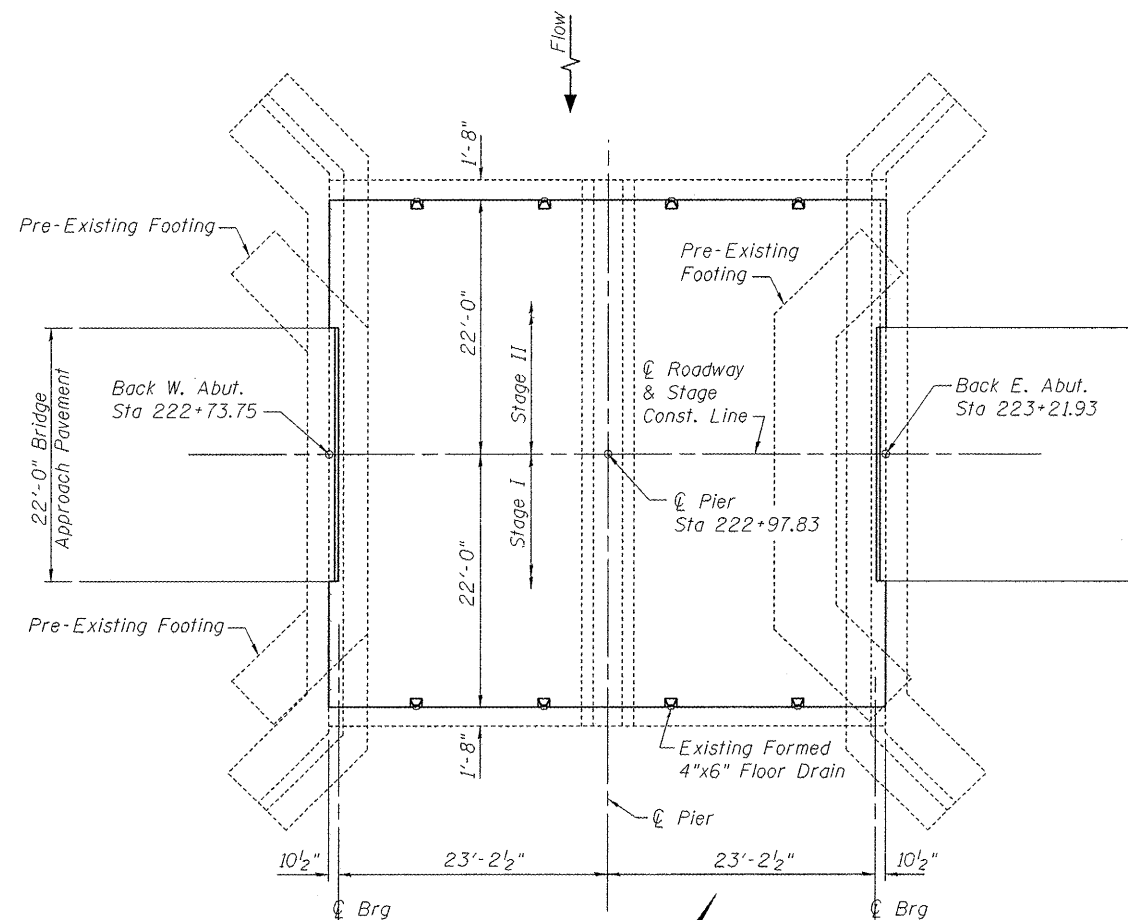
No salvage.

Plan dimensions and details relative to existing plans are subject to nominal construction variations. The contractor shall field verify existing dimensions and details affecting new construction and make necessary approved adjustments prior to construction or ordering of materials. Such variations shall not be cause for additional compensation for a change in scope of the work. However, the contractor will be paid for the quantity actually furnished at the unit price bid for the work.

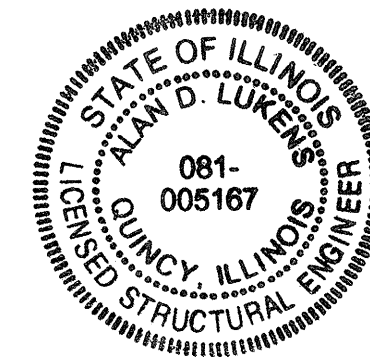
All repair work associated with the bridges shall be completed by stage construction utilizing TC&P, Standard 701316 as detailed in these repair plans.



ELEVATION



TOTAL BILL OF MATERIALS		
ITEM	UNIT	TOTAL
BRIDGE DECK GROOVING	SQ YD	220
BRIDGE DECK HYDRO-SCARIFICATION 2 1/2"	SQ YD	235
BRIDGE DECK MICROSILICA CONCRETE OVERLAY 2 1/4"	SQ YD	232
POLYMER CONCRETE	CU FT	2.4
PROTECTIVE COAT	SQ YD	259



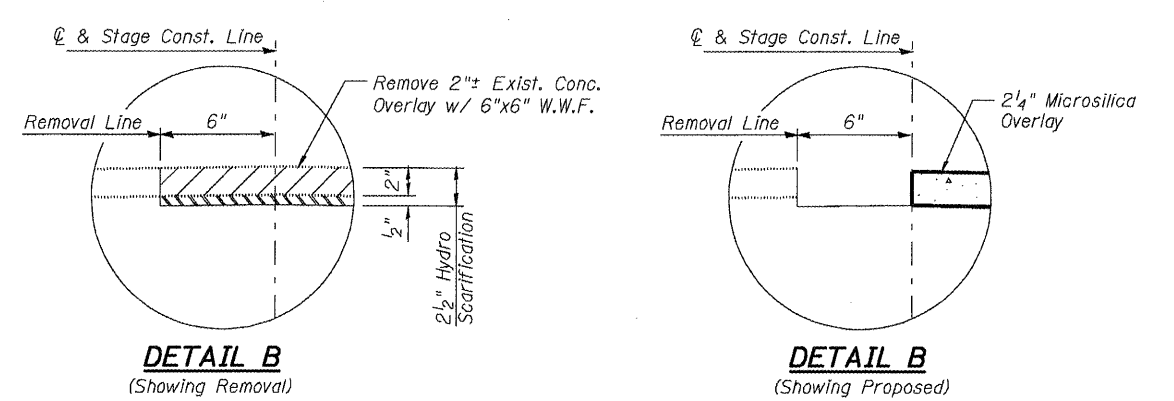
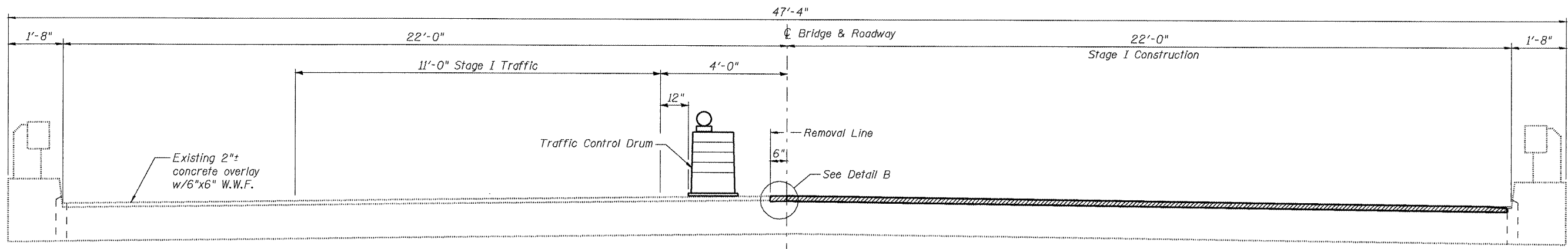
Alan D. Lukens 2-10-10
 Alan D. Lukens
 Licensed Structural Engineer
 State of Illinois No. 081-005167
 License Expires 11/30/10

GENERAL PLAN & ELEVATION
 IL 106 OVER HADLEY CREEK
 SN 075-0004

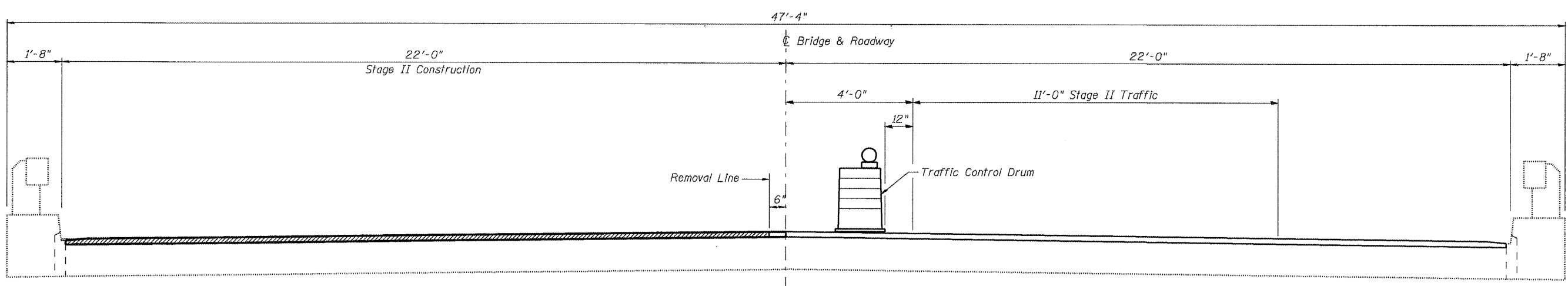
DESIGNED	KTH
CHECKED	ADL
DRAWN	KTH/BGJ
CHECKED	KTH

KLINGNER & ASSOCIATES, P.C.
 Engineers • Architects • Surveyors
 115 North 24th Street, Quincy, IL 62450-2222
 1338 Park Grand Road, Barksdale, MO 64603-2222
 1318 N. 4th Street, Suite 100, Burlington, IA 52601-2222
 145 North Prairie Street, Galena, IL 62421-2222
 Internet Address: www.klingner.com
 STATE OF ILLINOIS DESIGN FIRM # 1842738

SHEET NO. 1	F.A.P. RTE.	SECTION	COUNTY	TOTAL SHEETS	SHEET NO.
	751	D6 BRIDGE REPAIR 2009	PIKE	22	18
5 SHEETS			CONTRACT NO. 72D44		
FED. ROAD DIST. NO.		ILLINOIS FED. AID PROJECT			



STAGE I CONSTRUCTION
(Looking East)



STAGE II CONSTRUCTION
(Looking East)

STAGING
IL 106 OVER HADLEY CREEK
SN 075-0004

DESIGNED	KTH
CHECKED	ADL
DRAWN	KTH/BGJ
CHECKED	ADL

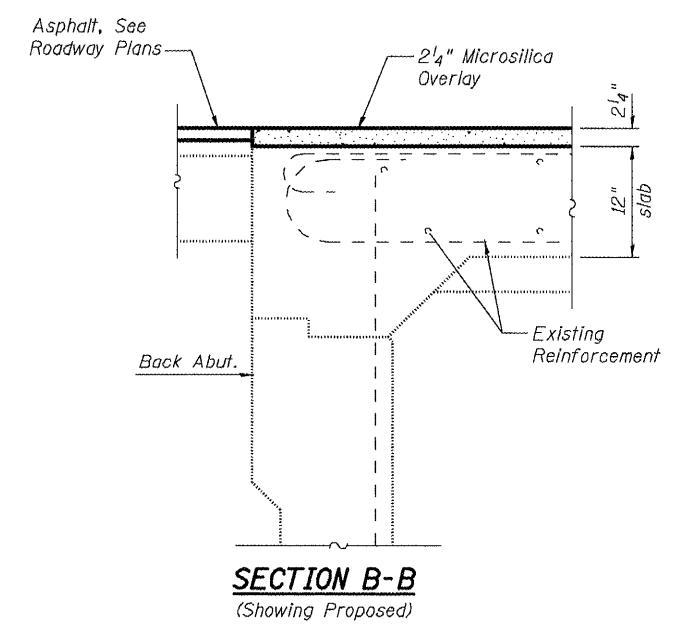
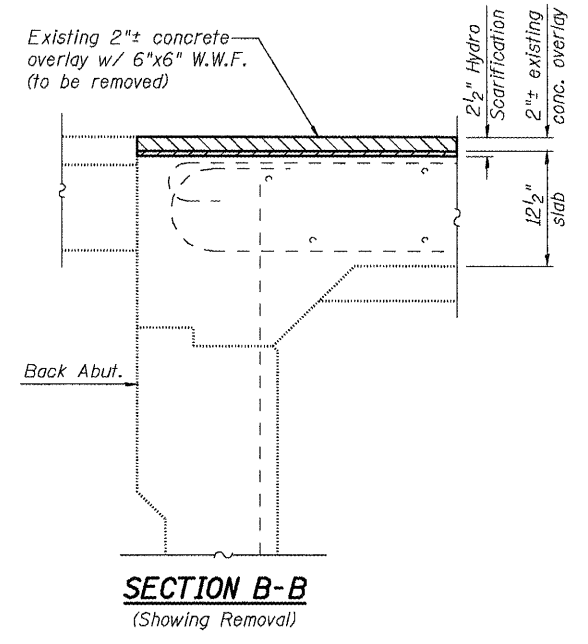
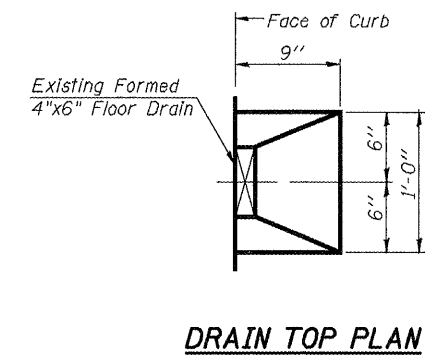
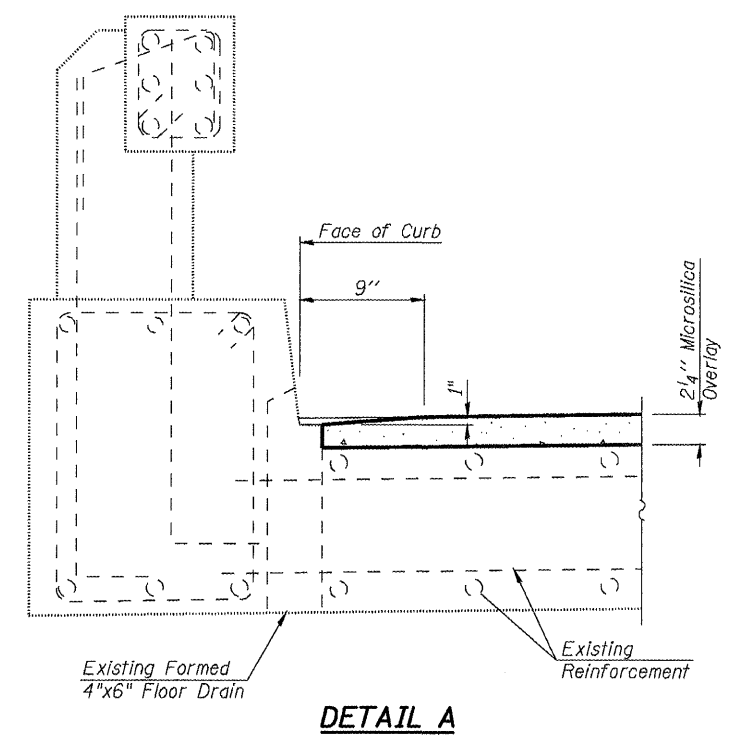
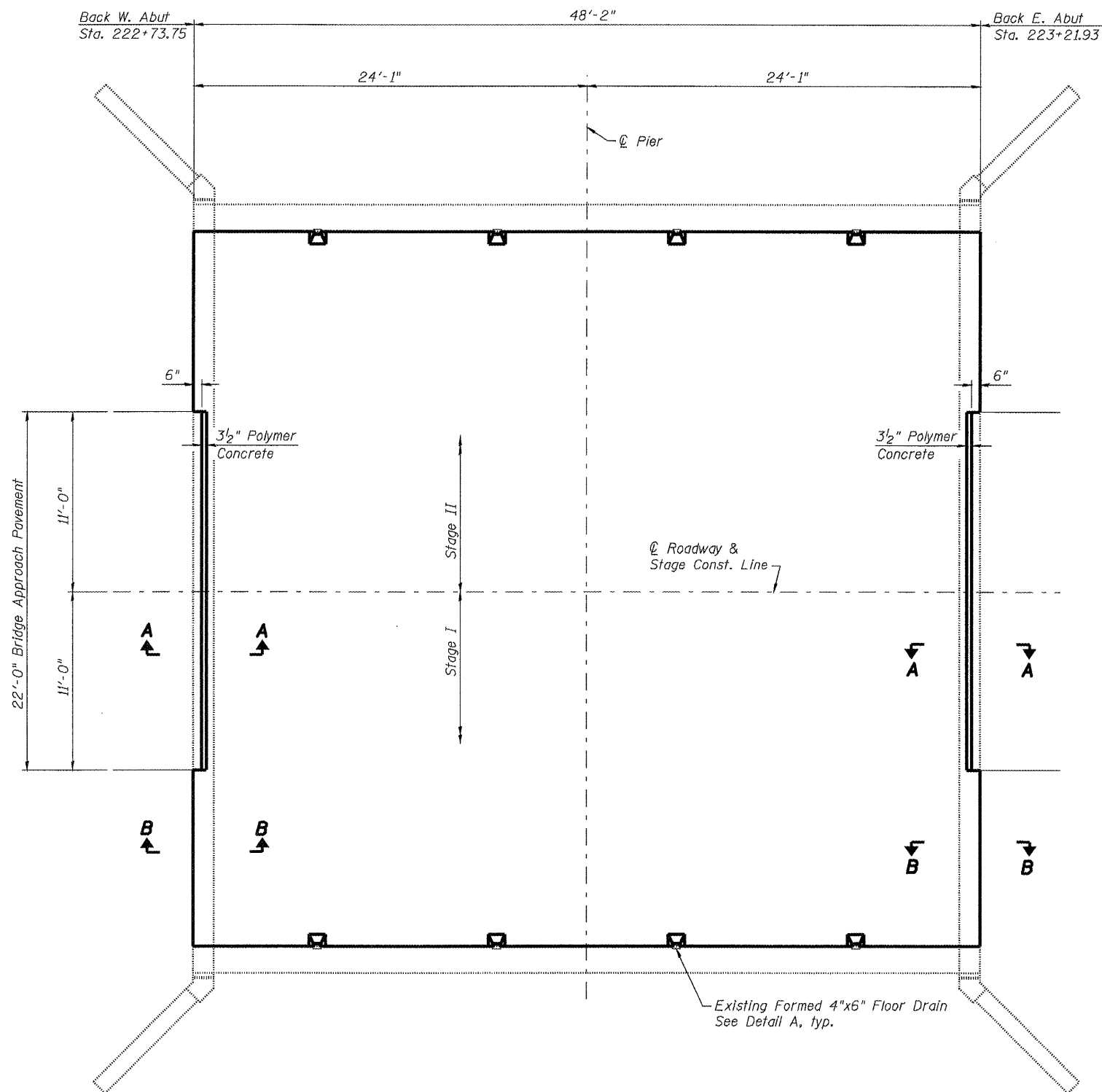
KLINGNER & ASSOCIATES, P.C.
Engineers - Architects - Surveyors

65 North 246 Street, Danvers, IL 61722-3670
 439 Para Street, Rock Island, IL 61201-2802
 100 N. 1st Street, East Moline, IL 61231-2808
 1910 E. 1st Street, Chicago, IL 60611-3678

Internet Address: www.klingner.com
 STATE OF ILLINOIS DESIGN FIRM # 1942738

SHEET NO. 2 5 SHEETS	F.A.P. RTE.	SECTION	COUNTY	TOTAL SHEETS	SHEET NO.
	751	D6 BRIDGE REPAIR 2009	PIKE	22	19
FED. ROAD DIST. NO.			ILLINOIS FED. AID PROJECT		
CONTRACT NO. 72D44					

Feb-10-2010 01:52:56PM



**SUPERSTRUCTURE PLAN
IL 106 OVER HADLEY CREEK
SN 075-0004**

DESIGNED	KTH
CHECKED	ADL
DRAWN	KTH/BGJ
CHECKED	ADL

KLINGNER & ASSOCIATES, P.C.
Engineers - Architects - Surveyors

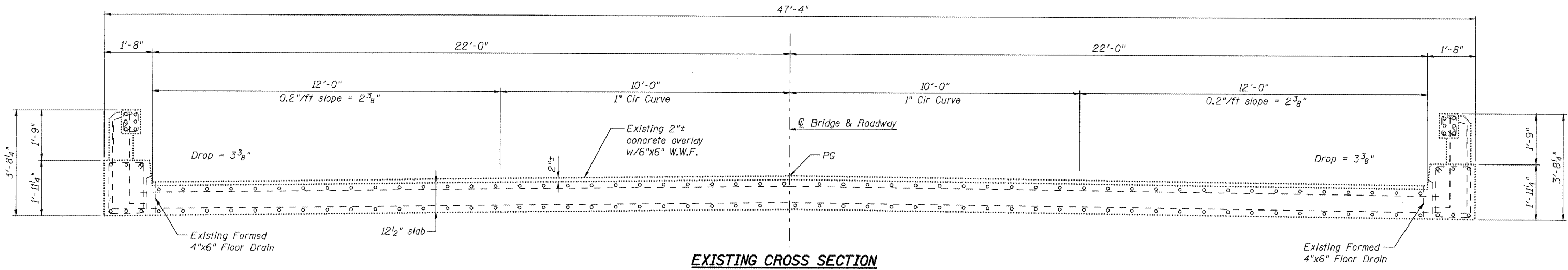
815 North 21st Street, Itasca, IL
 420 First Street, Itasca, IL
 100 N. 1st Street, Itasca, IL
 111 North 21st Street, Itasca, IL

Ph: (630) 221-3070 - Fax: (630) 221-3081
 Ph: (630) 221-3080 - Fax: (630) 221-3082
 Ph: (630) 221-3083 - Fax: (630) 221-3085
 Ph: (630) 221-3086 - Fax: (630) 221-3088

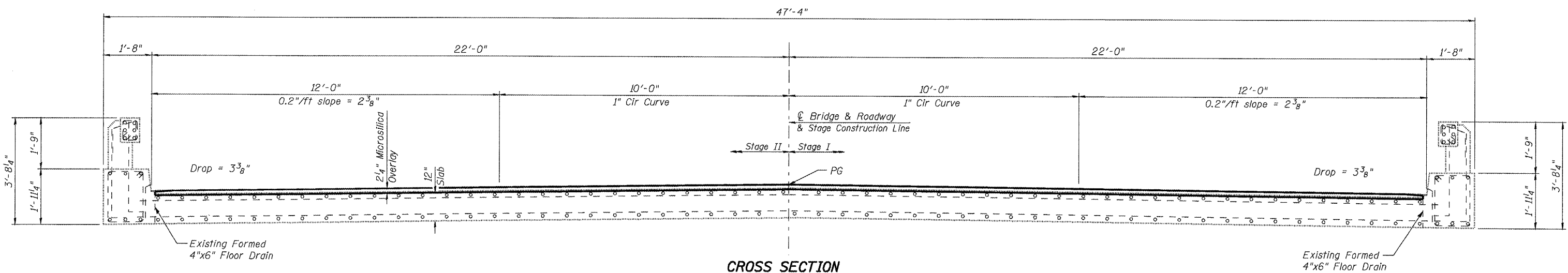
STATE OF ILLINOIS DESIGN FIRM # 1842738

SHEET NO. 3 5 SHEETS	F.A.P. RTE.	SECTION	COUNTY	TOTAL SHEETS	SHEET NO.
	751	D6 BRIDGE REPAIR 2009	PIKE	22	20
FED. ROAD DIST. NO.			ILLINOIS FED. AID PROJECT		
CONTRACT NO. 72D44					

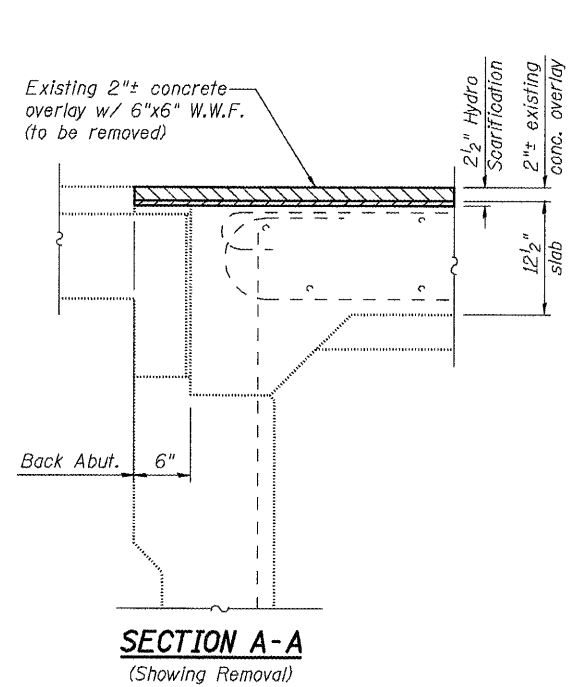
Klingner & Associates P.C.



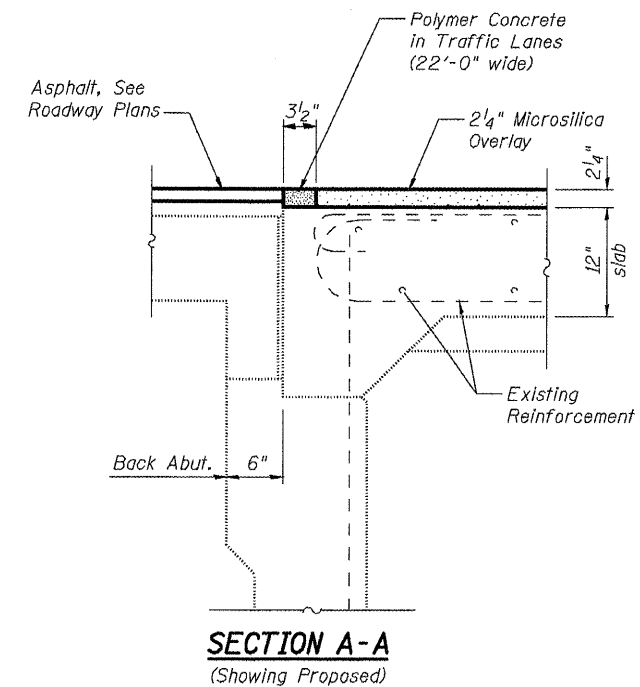
EXISTING CROSS SECTION



CROSS SECTION



SECTION A-A
(Showing Removal)



SECTION A-A
(Showing Proposed)

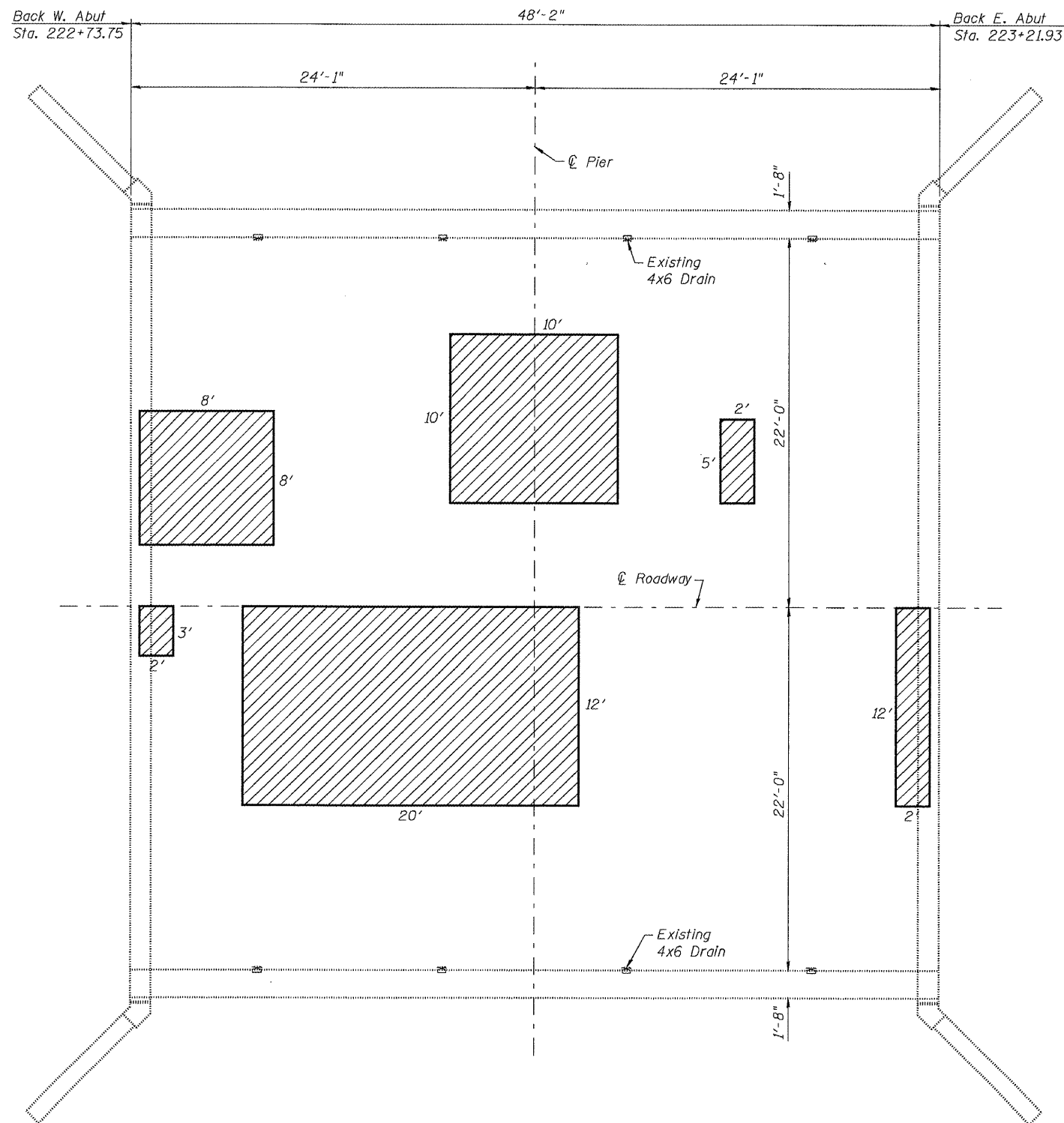
**SUPERSTRUCTURE DETAILS
IL 106 OVER HADLEY CREEK
SN 075-0004**


DESIGNED	KTH
CHECKED	ADL
DRAWN	KTH/BGJ
CHECKED	ADL

KLINGNER & ASSOCIATES, P.C.
Engineers - Architects - Surveyors
615 North 24th Street, Itasca, IL
Ph: 630.225.4800 - Fax: 630.225.4802
408 Park Street, Mendota, IL
Ph: 630.759.9200 - Fax: 630.759.9205
1914 North Prairie Street, Galesburg, IL
Ph: 309.342.4842 - Fax: 309.341.3781
Internet: www.klingner.com
STATE OF ILLINOIS DESIGN FIRM # 1842738

SHEET NO. 4 5 SHEETS	F.A.P. RTE.	SECTION	COUNTY	TOTAL SHEETS	SHEET NO.
	751	D6 BRIDGE REPAIR 2009	PIKE	22	21
FED. ROAD DIST. NO.			ILLINOIS FED. AID PROJECT		
CONTRACT NO. 72D44					

Feb-10-2010 01:53:02PM



 Deck Slab Repair (Partial Depth) - 50 SQ. YD.
 Note: Partial Depth Repair shall be achieved by bridge deck hydro-scarification and filled with microsilica concrete overlay. Cost included in "BRIDGE DECK HYDRO-SCARIFICATION 2 1/2\" and "BRIDGE DECK MICROSILICA CONCRETE OVERLAY 2 1/4\" "

DECK PATCHING PLAN
IL 106 OVER HADLEY CREEK
SN 075-0004

DESIGNED	KTH
CHECKED	ADL
DRAWN	KTH/BGJ
CHECKED	ADL

KLINGNER & ASSOCIATES, P.C.
 Engineers - Architects - Surveyors
 105 North 2nd Street, Quincy, IL 62450
 458 Perry Street, Hannibal, MO 63450
 100 N. 4th Street, Suite 100, Arlington, IL 62523
 111 North Illinois Street, Champaign, IL 61820
 Internet Address: www.klingner.com
 STATE OF ILLINOIS DESIGN FIRM # 1842738



SHEET NO. 5	F.A.P. RTE.	SECTION	COUNTY	TOTAL SHEETS	SHEET NO.
	751	D6 BRIDGE REPAIR 2009	PIKE	22	22
5 SHEETS			CONTRACT NO. 72D44		
FED. ROAD DIST. NO.		ILLINOIS FED. AID PROJECT			

Klingner & Associates P.C.