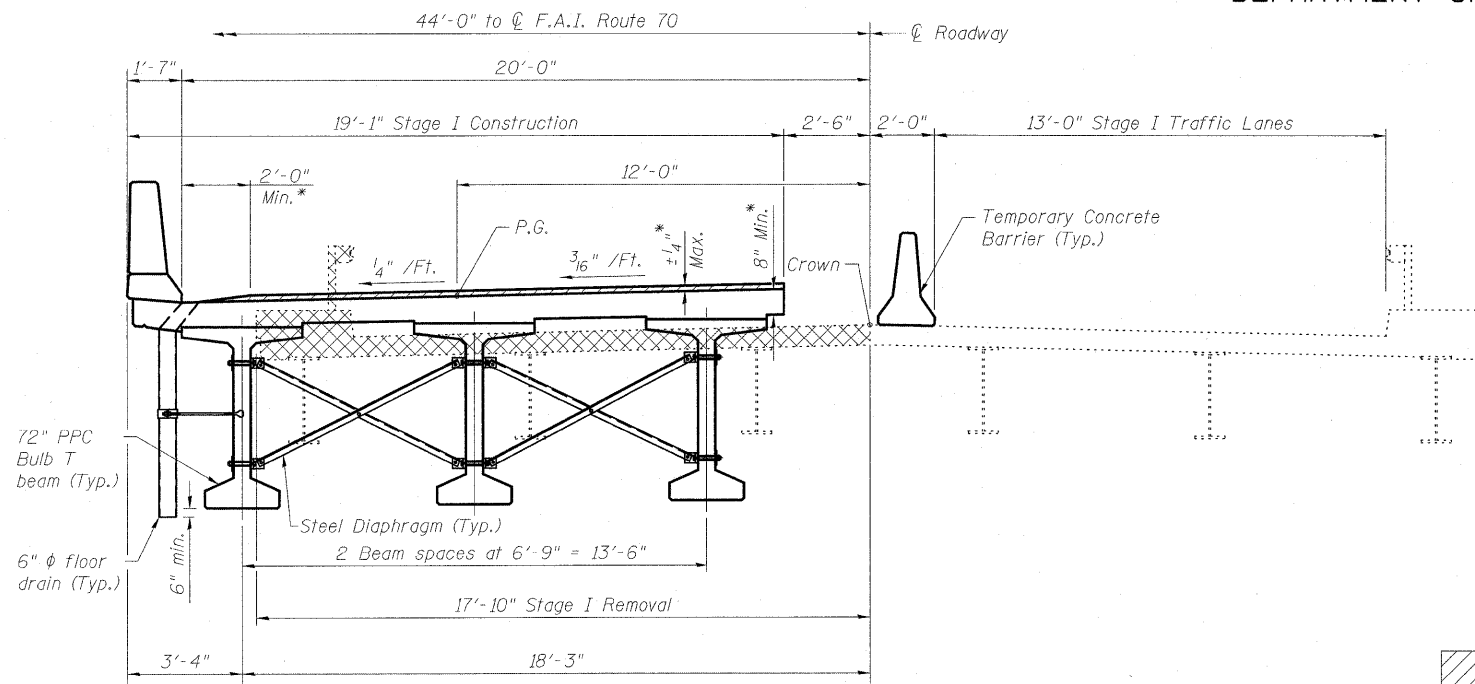
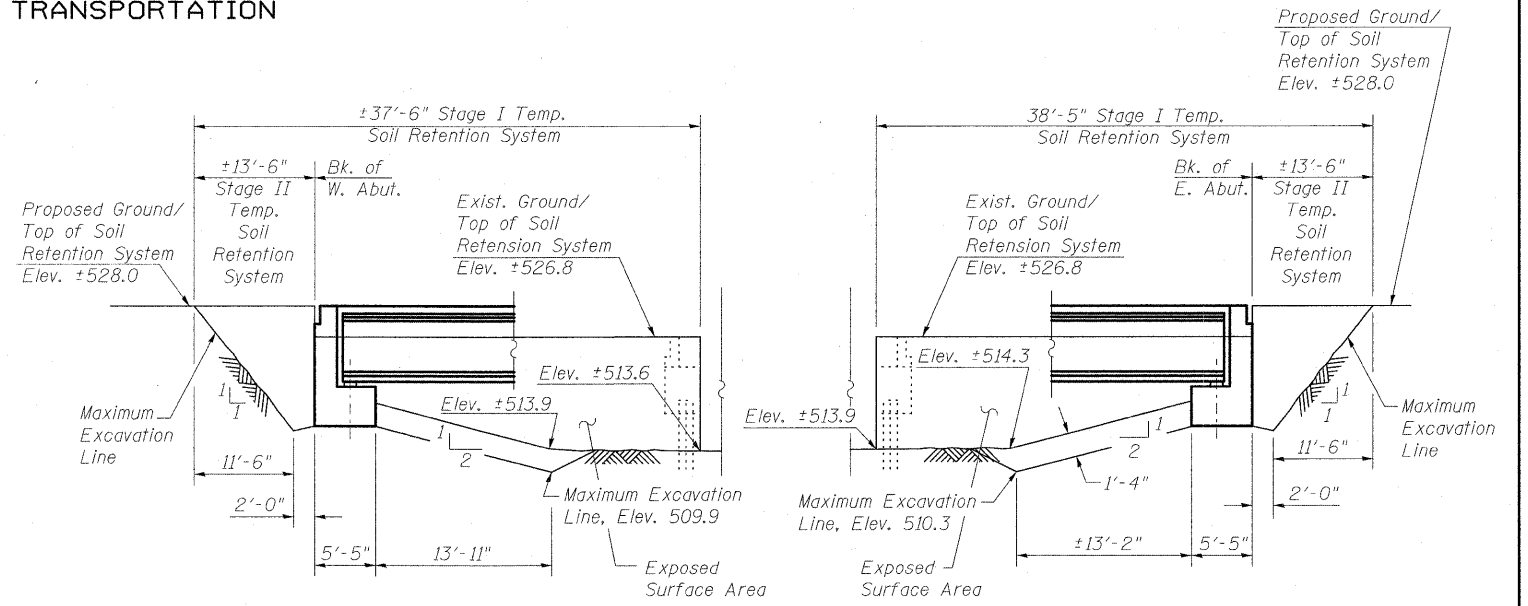


STATE OF ILLINOIS
DEPARTMENT OF TRANSPORTATION



STAGE I CONSTRUCTION

Looking West - S.N. 025-0108 (W.B.)
Looking East - S.N. 025-0107 (E.B.)



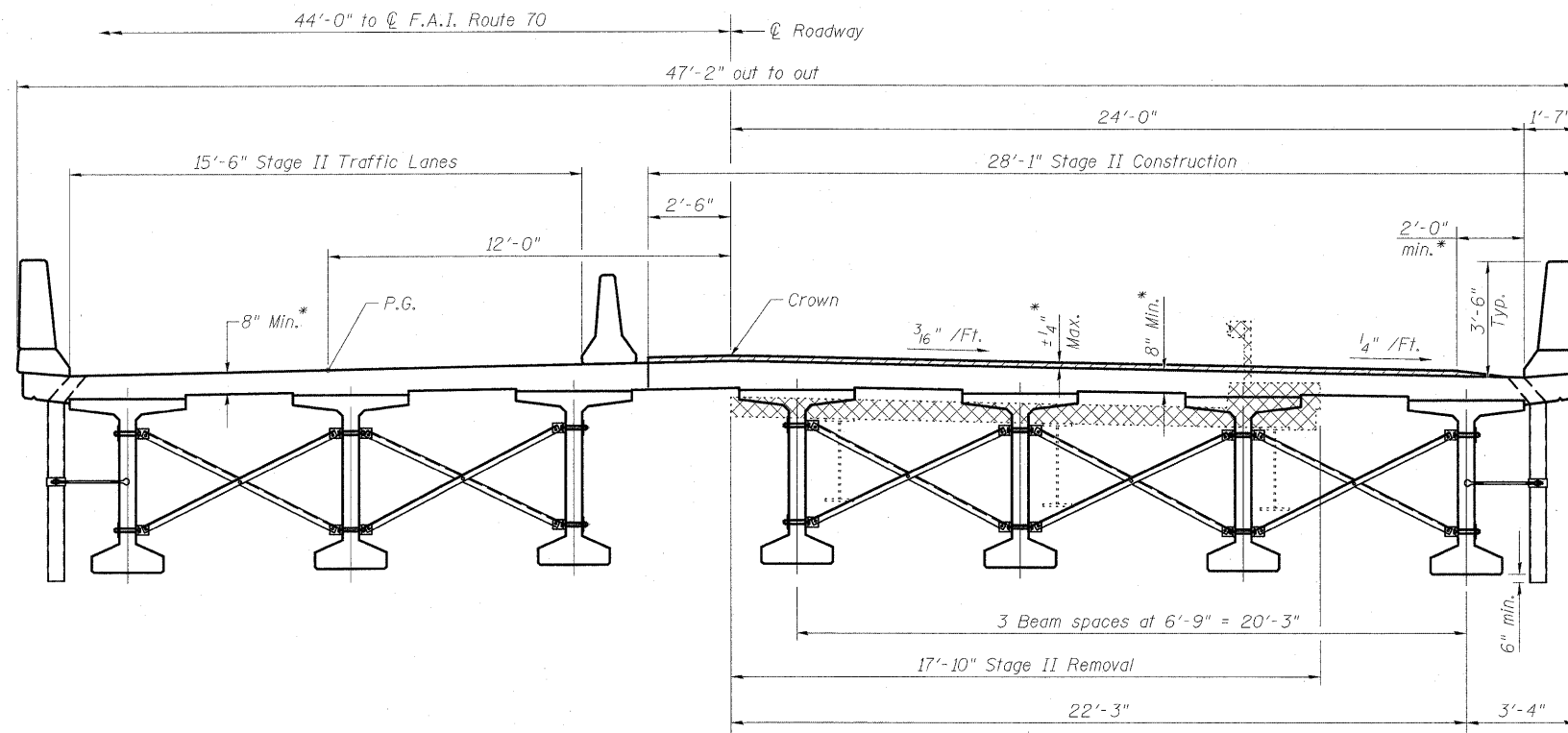
WEST ABUTMENT

EAST ABUTMENT

SOIL RETENTION SYSTEM

A cantilevered sheet piling design does not appear feasible and additional members or other retention systems may be necessary. The Contractor shall submit a temporary soil retention system design including plan details and calculations for review and acceptance by the Engineer.

- Indicates Deck Removal. See Diamond Grinding and Surface Testing Bridge Sections Special Provisions.
- Indicates Removal of Existing Structure.



STAGE II CONSTRUCTION

Looking West - S.N. 025-0108 (W.B.)
Looking East - S.N. 025-0107 (E.B.)

*See Diamond Grinding and Surface Testing Bridge Sections Special Provision.

Note:
Stage Construction lines at the Piers are at different locations than the Superstructure. See sheets 5 and 45 thru 48 of 58 for Stage Construction line at Piers.

| | |
|----------|---------------|
| DESIGNED | B.B. |
| CHECKED | A.C.S. |
| DRAWN | W.J.S. |
| CHECKED | C.J.F. & B.B. |

**STAGE CONSTRUCTION &
TEMPORARY SOIL RETENTION
SYSTEM DETAILS**
S.N. 025-0107 & 025-0108



**BERNARDIN
LOCHMUELLER &
ASSOCIATES, INC.**

3 Oak Drive
Maryville, IL 62062-5635
Local (618) 298-4955
Fax 618-298-4669

| | | | | | |
|--|-------------|---------|--------------------|--------------|-----------|
| SHEET NO. 3 58 SHEETS | F.A.I. RTE. | SECTION | COUNTY | TOTAL SHEETS | SHEET NO. |
| | 70 | (25-3)B | EFFINGHAM | 1416 | 35 |
| SN 025-0107 & 025-0108 | | | CONTRACT NO. 74296 | | |
| FED. ROAD DIST. NO. 7 ILLINOIS FED. AID PROJECT 70 | | | | | |