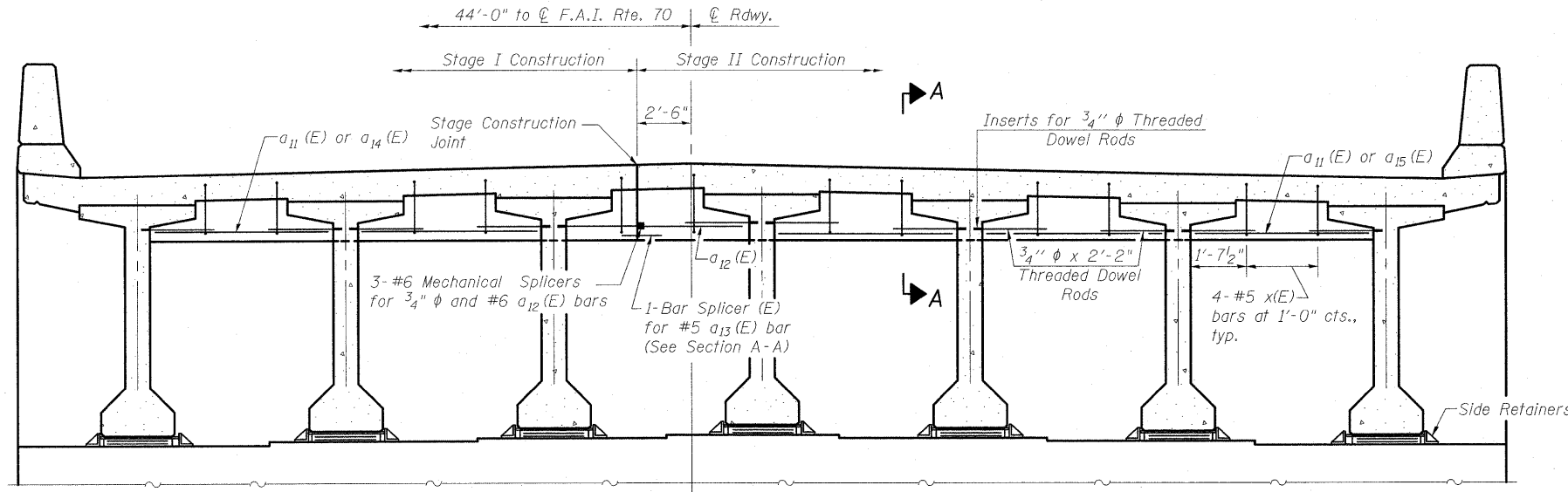


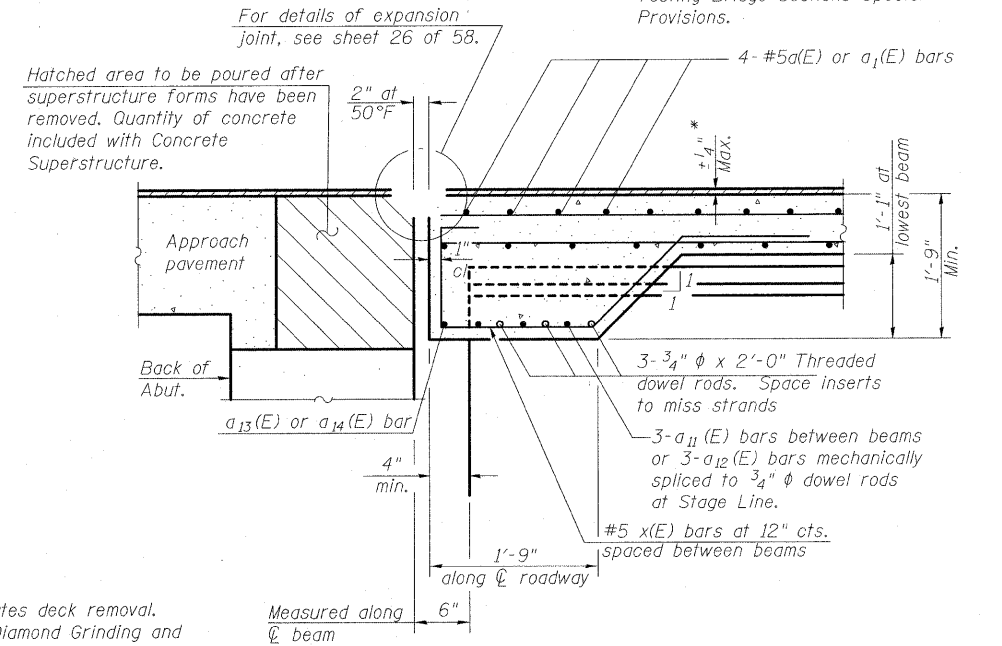
STATE OF ILLINOIS
DEPARTMENT OF TRANSPORTATION



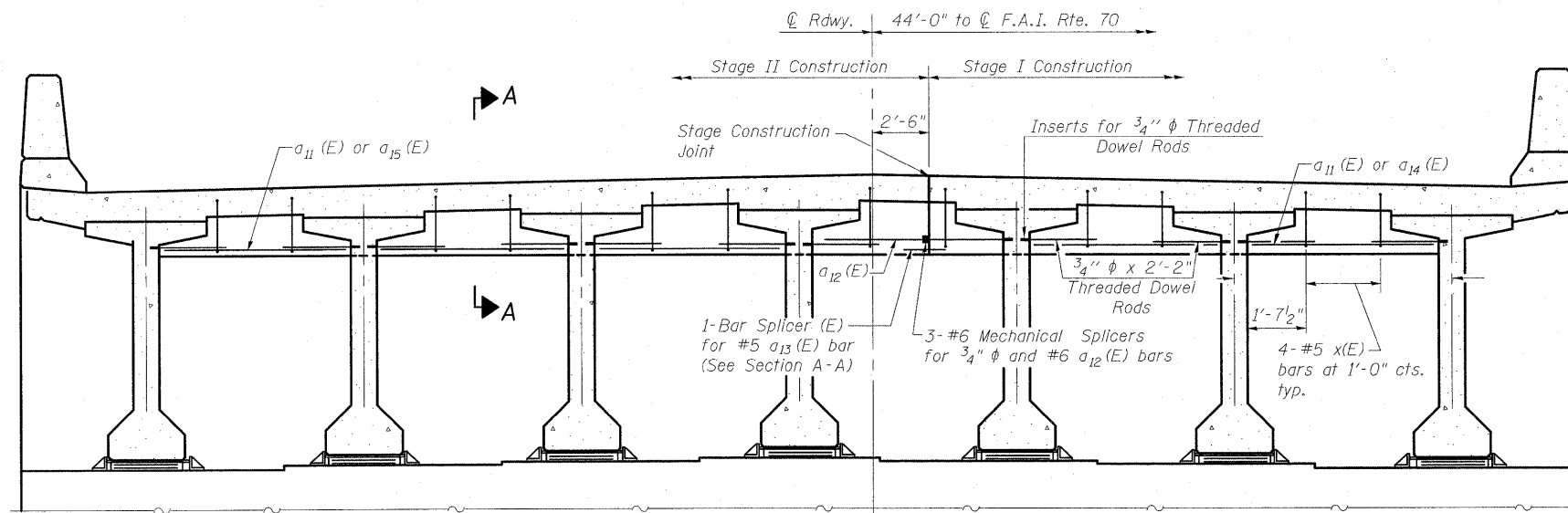
DIAPHRAGM

(W. Abut. - W.B. Rdwy. - Looking West)
(E. Abut. - E.B. Rdwy. - Looking East)

Indicates deck removal. See Diamond Grinding and Surface Testing Bridge Sections Special Provisions.

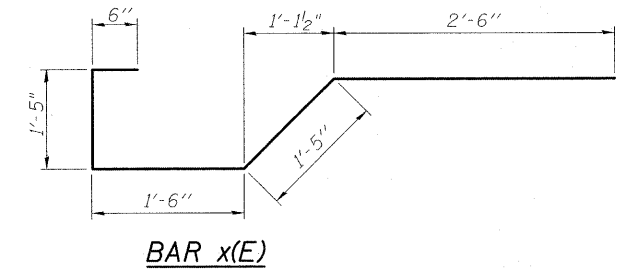


SECTION A-A



DIAPHRAGM

(E. Abut. - W.B. Rdwy. - Looking East)
(W. Abut. - E.B. Rdwy. - Looking West)



BAR x(E)

Notes:
Reinforcement bars in diaphragm are billed with superstructure on sheet 25 of 58.
Concrete in diaphragm is included with Concrete Superstructure on sheet 25 of 58.
For Side Retainer and Anchor details see sheet 39 of 58.

**ABUTMENT DIAPHRAGM DETAILS
STRUCTURE NO. 025-0107 & 025-0108**

DESIGNED	B.B.
CHECKED	A.C.S.
DRAWN	W.J.S.
CHECKED	C.J.F. & B.B.



**BERNARDIN
LOCHMUELLER &
ASSOCIATES, INC.**

3 Oak Drive
Maryville, IL 62462-5655
Local (618) 288-4955
Fax 618-288-4966

SHEET NO. 31	F.A.I. RTE.	SECTION	COUNTY	TOTAL SHEETS	SHEET NO.
	70	25-3BR	EFFINGHAM	1416	63
58 SHEETS	SN 025-0107 & 025-0108		CONTRACT NO. 74296		
FED. ROAD DIST. NO. 7 ILLINOIS FED. AID PROJECT 70					