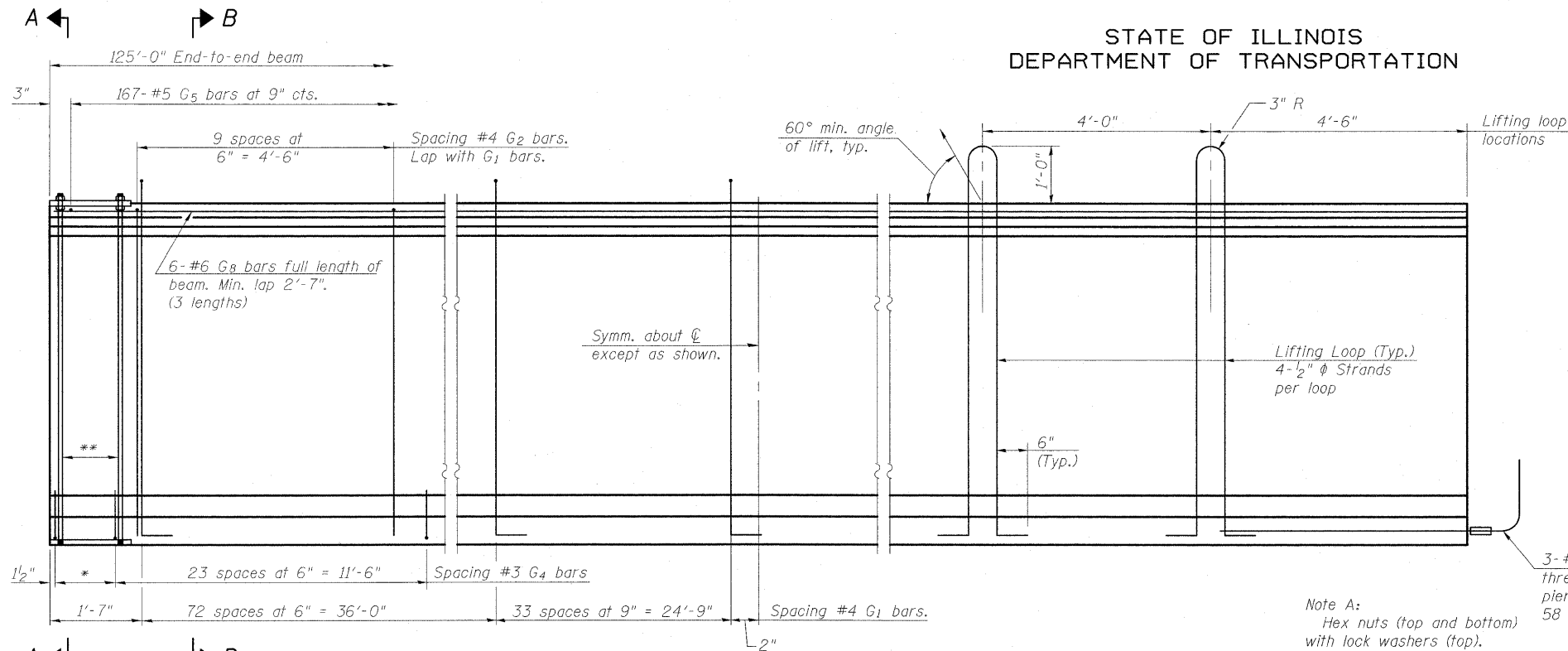
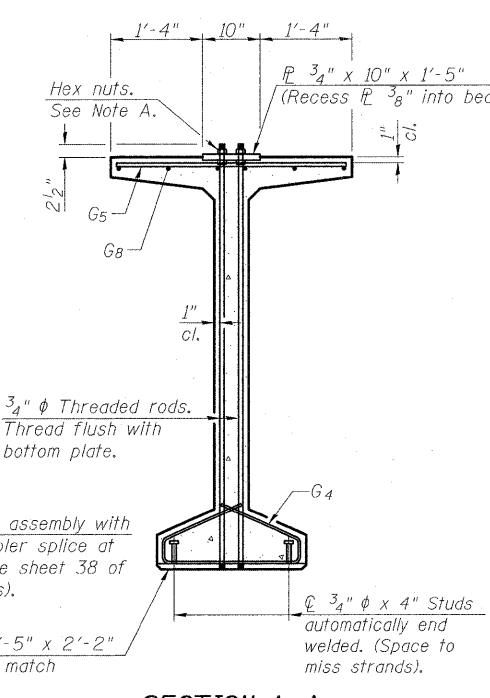


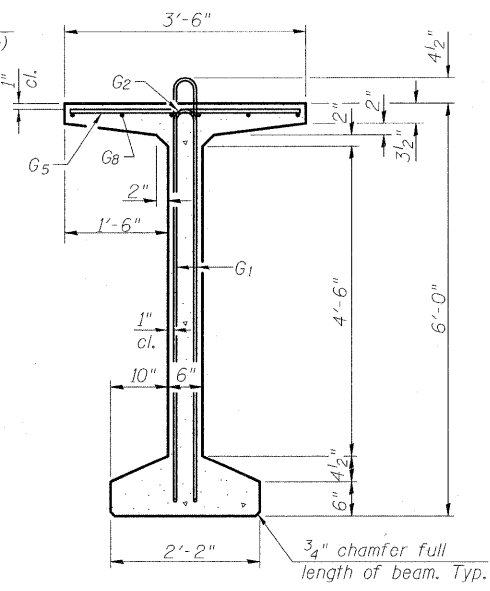
STATE OF ILLINOIS
DEPARTMENT OF TRANSPORTATION



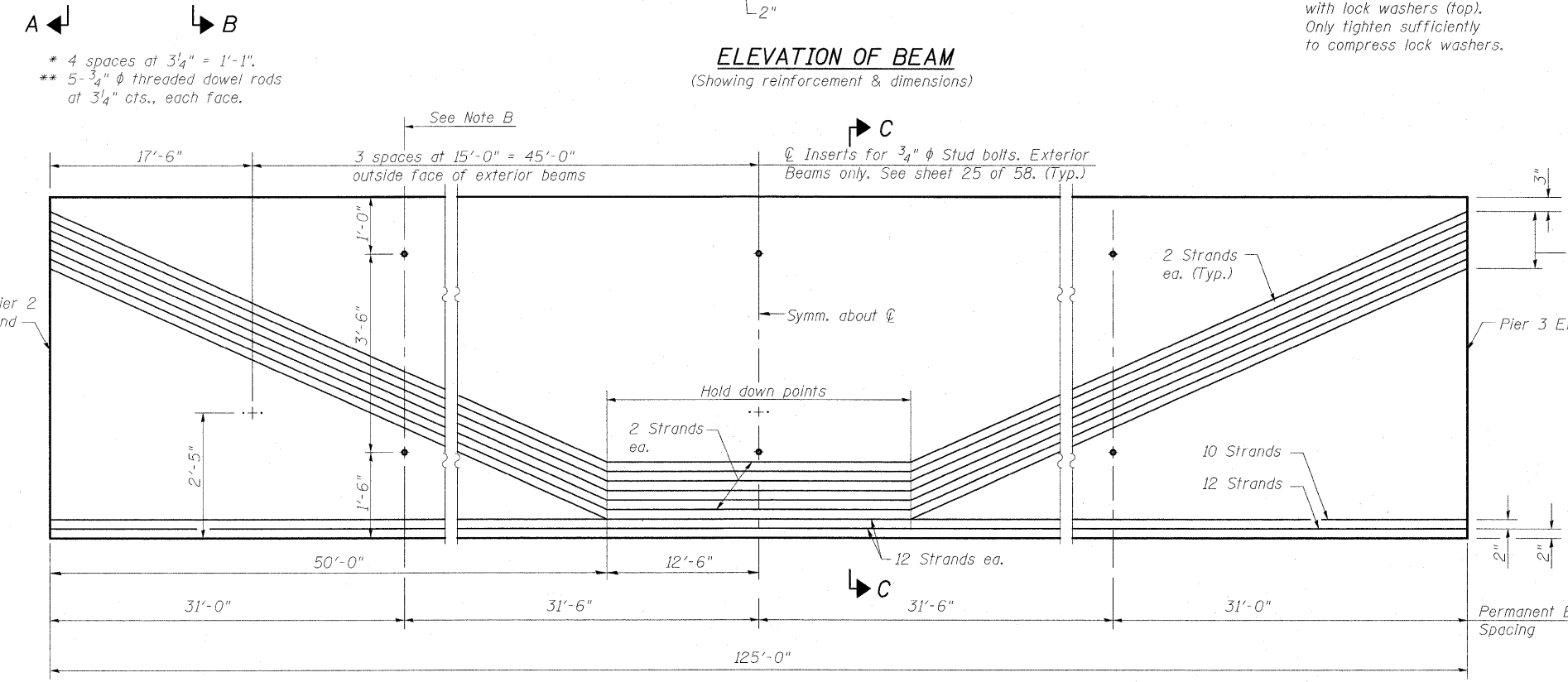
ELEVATION OF BEAM
(Showing reinforcement & dimensions)



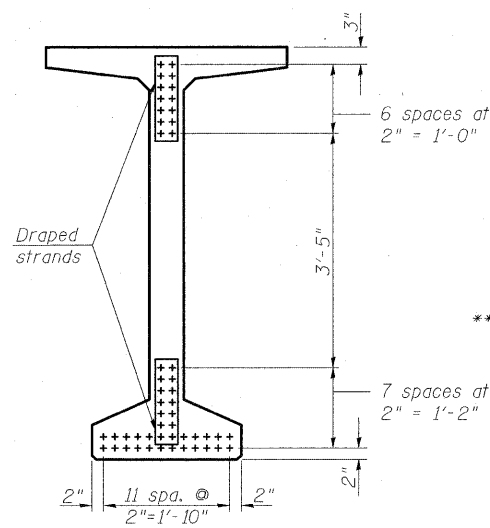
SECTION A-A



SECTION B-B



ELEVATION OF BEAM
(Showing prestressing steel)



SECTION C-C

*****BAR LIST
ONE BEAM ONLY**

Bar	No.	Size	Length	Shape
G1	212	#4	13'-5"	∩
G2	20	#4	11'-8"	∩
G4	56	#3	4'-11"	∩
G5	167	#5	3'-4"	∩
G6	6	#8	6'-6"	∩
G8	18	#6	43'-5"	∩

***For information only
Notes:
See sheet 38 of 58 for additional details and Bill of Material.
Required release strength, f'_{ci} , shall be 5,000 psi.

DESIGNED	B.B.
CHECKED	A.C.S.
DRAWN	W.J.S.
CHECKED	C.J.F. & B.B.

Note B:
∅ 1" I.D. formed holes with PVC pipe cast at right angles to web. Locate to miss strands. See sheet 33 of 58 for details of Permanent Bracing.

BERNARDIN LOCHMUELLER & ASSOCIATES, INC.
3 Oak Drive
Maryville, IL 62962-5685
Local (618) 288-4955
Fax 618-288-4956

SHEET NO. 37 58 SHEETS	F.A.I. RTE.	SECTION	COUNTY	TOTAL SHEETS	SHEET NO.
	70	(25-3)B	EFFINGHAM	1416	69
SN 025-0107 & 025-0108			CONTRACT NO. 74296		
FED. ROAD DIST. NO. 7 ILLINOIS FED. AID PROJECT 70					

72" PPC BULB T-BEAM
Span 3
S.N. 025-0107 & 025-0108