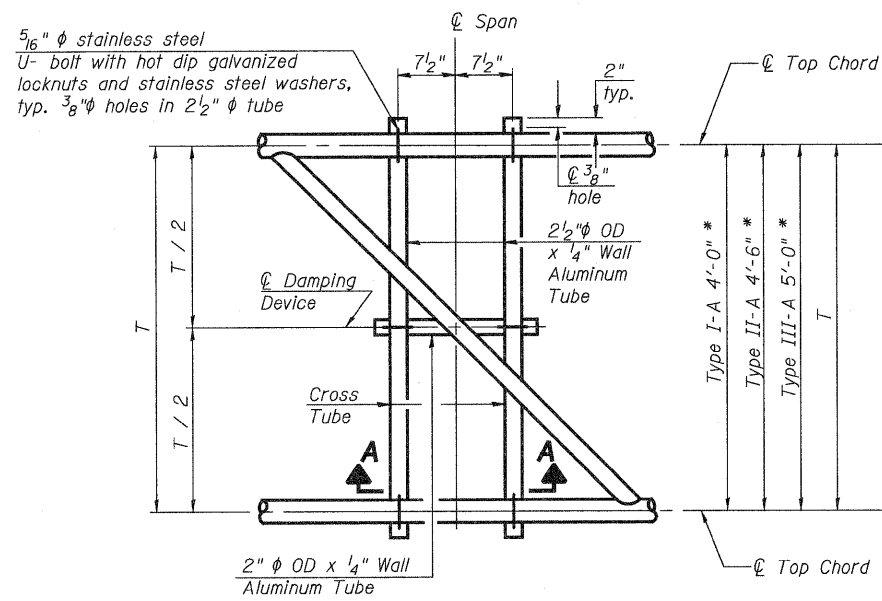
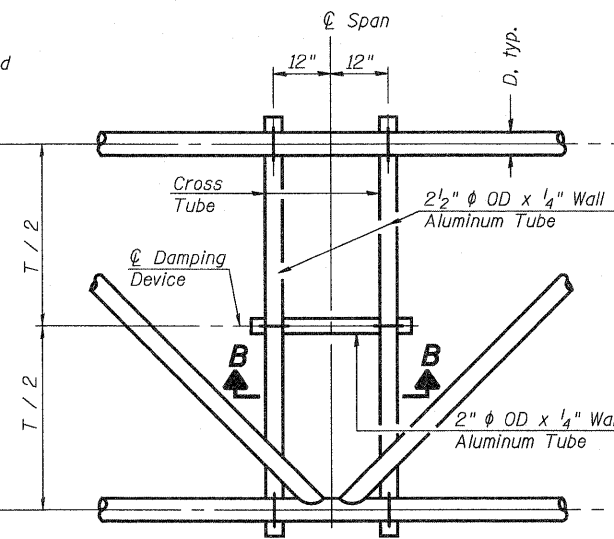


STATE OF ILLINOIS
DEPARTMENT OF TRANSPORTATION

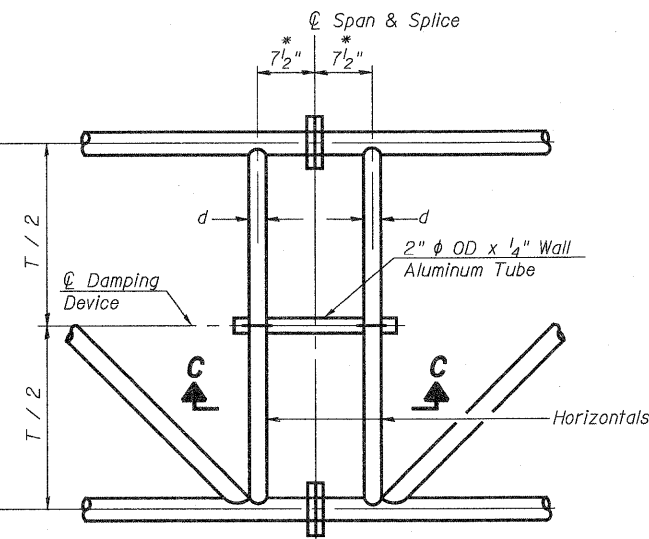
* Center of horizontal to center of splice dimension may vary. Verify before drilling holes in mounting tube.



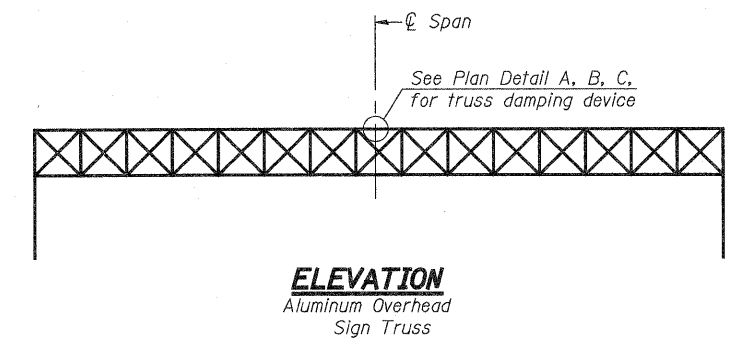
PLAN DETAIL "A"
Span between Panel Points



PLAN DETAIL "B"
Span at Panel Point

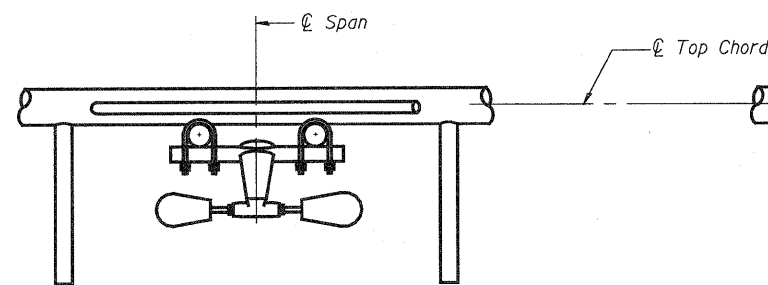


PLAN DETAIL "C"
Span at Chord Splice

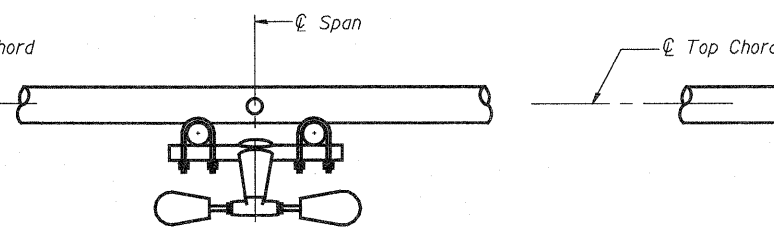


ELEVATION
Aluminum Overhead Sign Truss

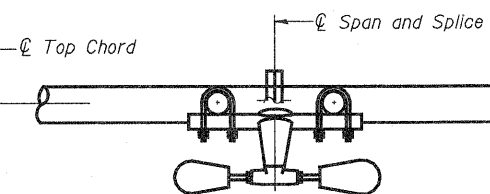
- NOTES**
- Damper: One damper per truss. (31 lbs. minimum Stockbridge-Type Aluminum - 29" minimum between ends of weights) Cost included in Overhead Sign Structure...
 - Materials: Materials: Aluminum tubes shall be ASTM B221 alloy 6061 temper T6. Cost included in Overhead Sign Structure...



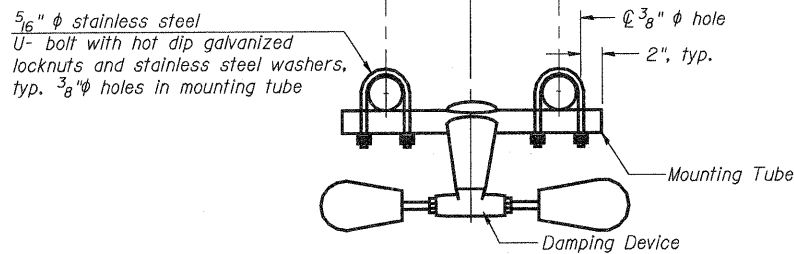
SECTION A-A



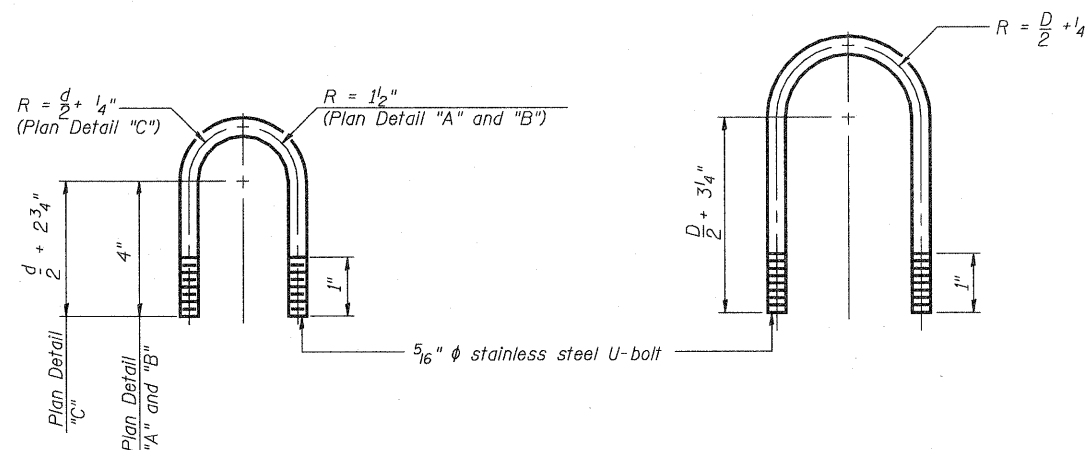
SECTION B-B



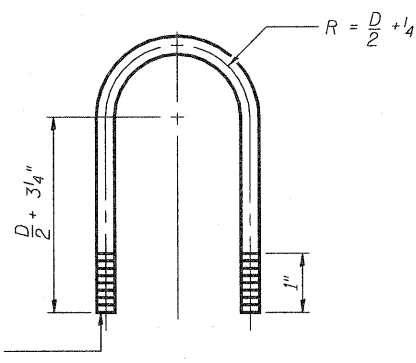
SECTION C-C



TRUSS DAMPING DEVICE CONNECTION DETAIL
(Typical)



DAMPING DEVICE MOUNTING TUBE U-BOLT DETAIL
(Typical)



TOP CHORD TO CROSS TUBE U-BOLT DETAIL
(Typical - Detail "A" and "B")

DESIGNED	ESW
CHECKED	JWS
DRAWN	PDB
CHECKED	BRM

OS-A-D

12-1-08

OVERHEAD SIGN STRUCTURE DAMPING DEVICE					
SHEET NO.	F.A.I. RTE.	SECTION	COUNTY	TOTAL SHEETS	SHEET NO.
15	57/70	(25-3)R	EFFINGHAM	1416	367
			CONTRACT NO. 74296		
SHEETS 33		FED. ROAD DIST. NO.	ILLINOIS FED. AID PROJECT		