

STATE OF ILLINOIS
DEPARTMENT OF TRANSPORTATION

For anchor rod size and placement, see Support Frame Detail Sheet.

** Anchor rod shall be ground or filed to bright metal at clamp and cable connection location.

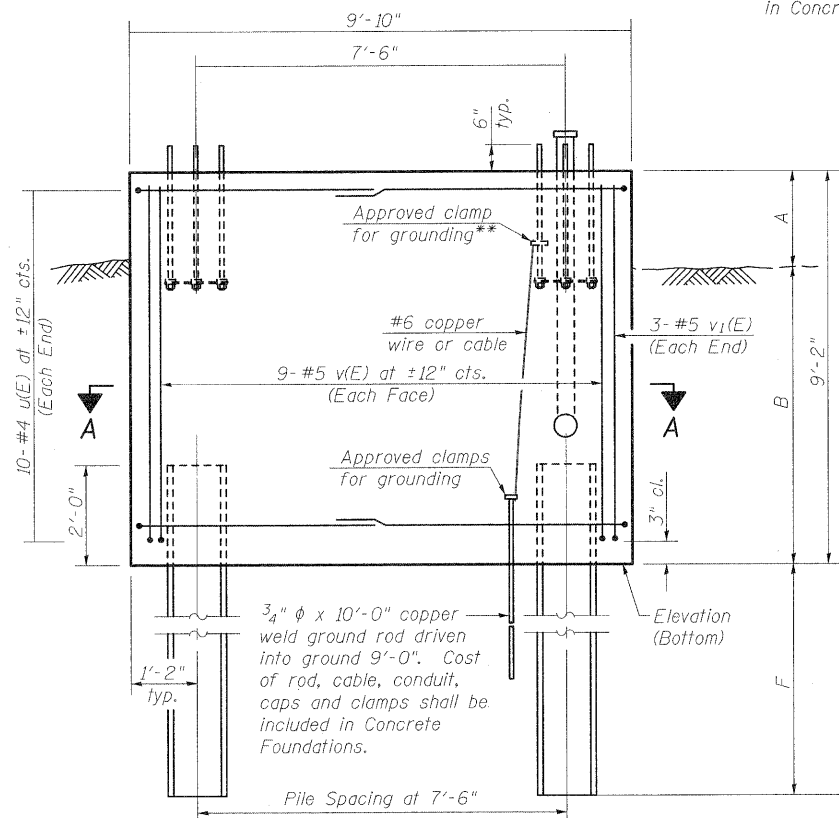
*** A normal surface finish followed by a Bridge Seat Sealer application will be required on concrete surfaces above the lowest elevation 6" below finished ground line. Cost included in Concrete Foundations.

PILE DATA

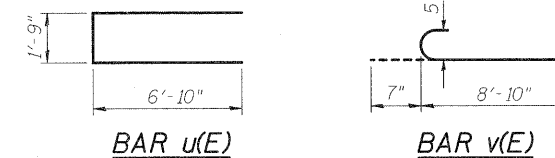
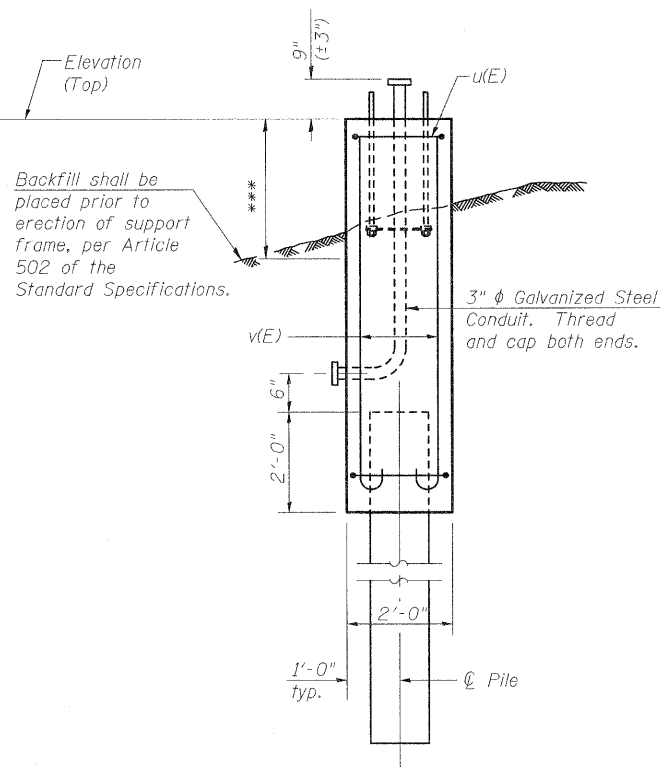
Structure 7S025I070R091.4
Right and Left Foundation
Sta. 2008+85
Type: HP 14x73
Nominal Required Bearing: 175 Kips
Allowable Resilience Available: 58 Kips
Est. Length: 37'-0"
No. Production Piles: 4
Test Piles: 0

PILE DATA

Structure 7S025I070R091.8
Right Foundation
Sta. 2028+85
Type: HP 14x73
Nominal Required Bearing: 210 Kips
Allowable Resilience Available: 74 Kips
Est. Length: 37'-0"
No. Production Piles: 2
Test Piles: 0

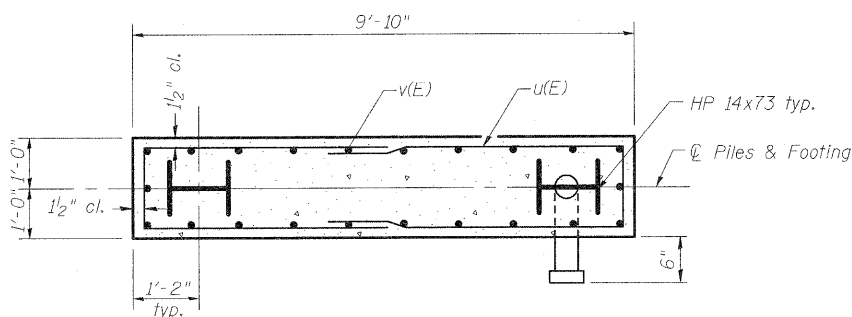


SIDE ELEVATION



BAR LIST - EACH FOUNDATION

Bar	Number	Size	Length	Shape
u(E)	20	#4	15'-5"	U
v(E)	24	#5	9'-4"	C



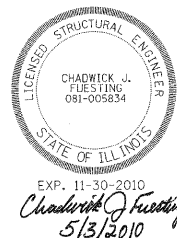
SECTION A-A

Structure Number	Station	Left Foundation			Right Foundation			Class DS Concrete (Cu. Yds.)				
		Elevation Top	Elevation Bottom	F	Elevation Top	Elevation Bottom	F					
7S025I070R091.4	2008+85	528.73	519.56	3'-6"	5'-8"	35'-0"	529.24	520.07	3'-6"	5'-8"	35'-0"	13.4
7S025I070R091.8	2028+00						530.34	521.17	3'-6"	5'-8"	35'-0"	6.7

Note:
During construction, if footing length or width or wall height change by more than 12", or if reinforcement is changed, "as-built" plans shall be prepared and submitted to the District Bureau of Operations for future reference.

DETAILS FOR 8" Ø SUPPORT FRAME
TYPE I-A TRUSS

DESIGNED	-	CJF
CHECKED	-	BB
DRAWN	-	WJS
CHECKED	-	CJF



NUMBER	REVISION	DATE

SHEET NO. 28	F.A.I RTE. 57/70	SECTION (25-3)R	COUNTY	TOTAL SHEETS	SHEET NO.
			EFFINGHAM	1416	380
SHEETS 33	FED. ROAD DIST. NO.		ILLINOIS FED. AID PROJECT		
			CONTRACT NO. 74296		

OVERHEAD SIGN STRUCTURES
PILE SUPPORTED FOUNDATION DETAILS