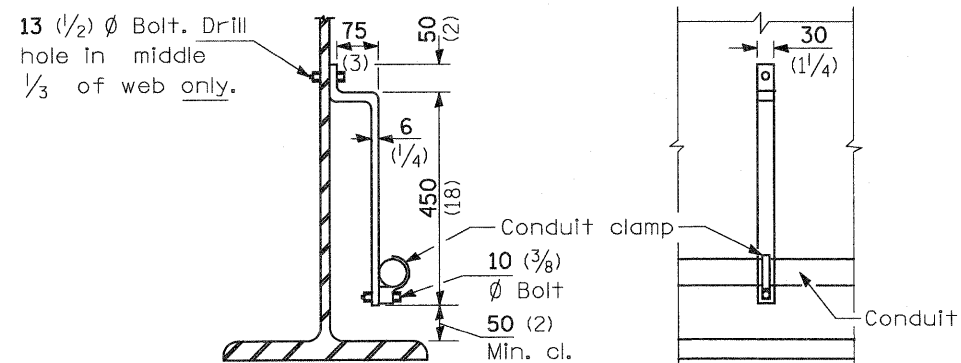
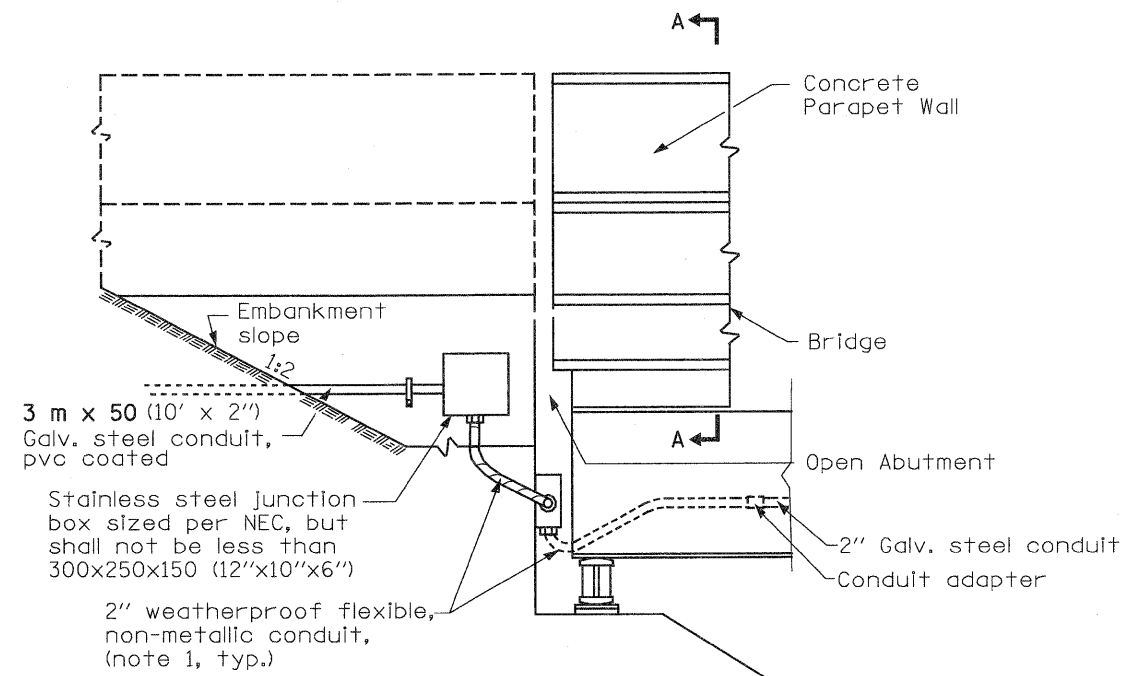


BRIDGE EXPANSION JOINT CROSSING DETAIL
not to scale

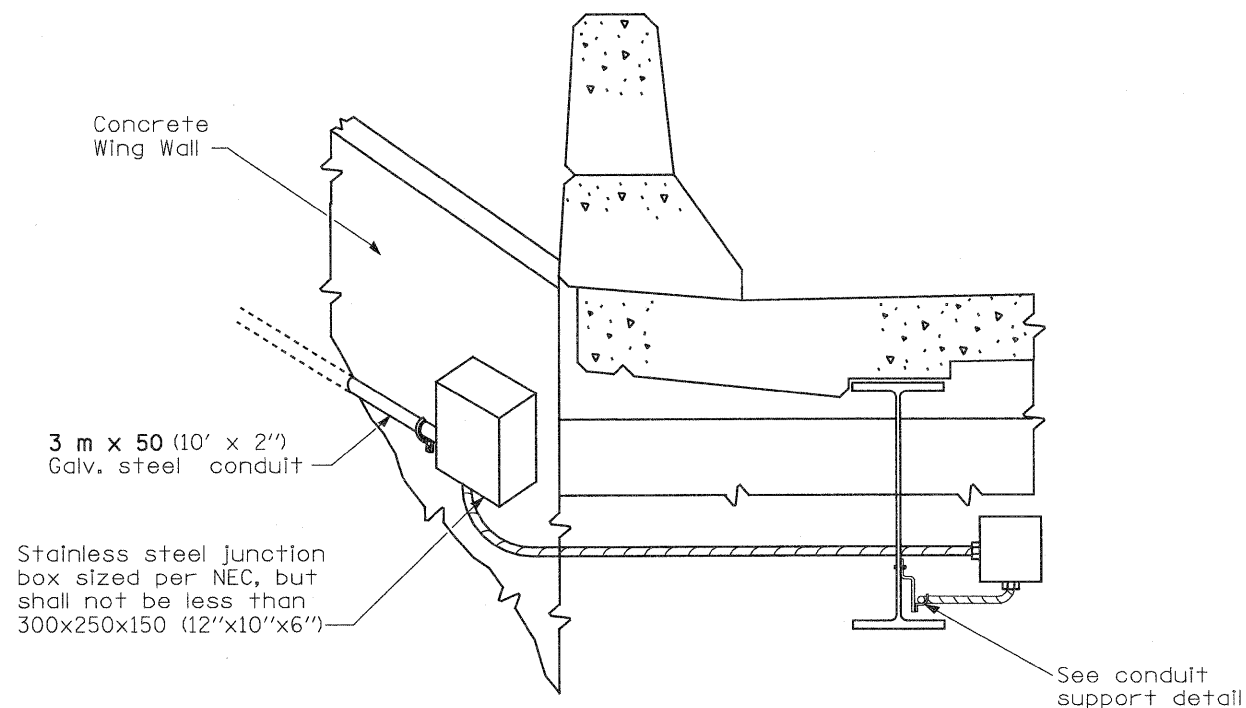
NOTE:
Conduit installation method shown in this detail shall be used at all bridge expansion joint crossings.



CONDUIT SUPPORT BRACKET



CONDUIT DETAIL
(Open Abutment)
not to scale



SECTION A-A

- NOTE:
1. LFNC shall be resistant to oil, water, chemical, and UV and shall be suitable for outdoor, direct bury, and extreme cold use according to NEC ART. 356.
 2. LFNC length shall not exceed 6'.

All dimensions are in millimeters (inches) unless otherwise shown.

FILE NAME =	USER NAME = paul	DESIGNED -	REVISED - 04-26-10	STATE OF ILLINOIS DEPARTMENT OF TRANSPORTATION	BRIDGE CROSSING DETAILS			F.A.I. RTE.	SECTION	COUNTY	TOTAL SHEETS	SHEET NO.
S:\Projects\403-00072.57-70\dm\VS Trl\Lighting detail.dgn		DRAWN -	REVISED -					57/70	(25-3)-6	EFFINGHAM	1416	422
PLOT SCALE = 40.0000' / IN.		CHECKED -	REVISED -		SCALE: SHEET NO. 33 OF 34 SHEETS STA. TO STA.			CONTRACT NO. 74293				
PLOT DATE = 4/27/2010		DATE -	REVISED -		FED. ROAD DIST. NO. ILLINOIS FED. AID PROJECT							