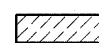

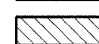
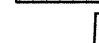



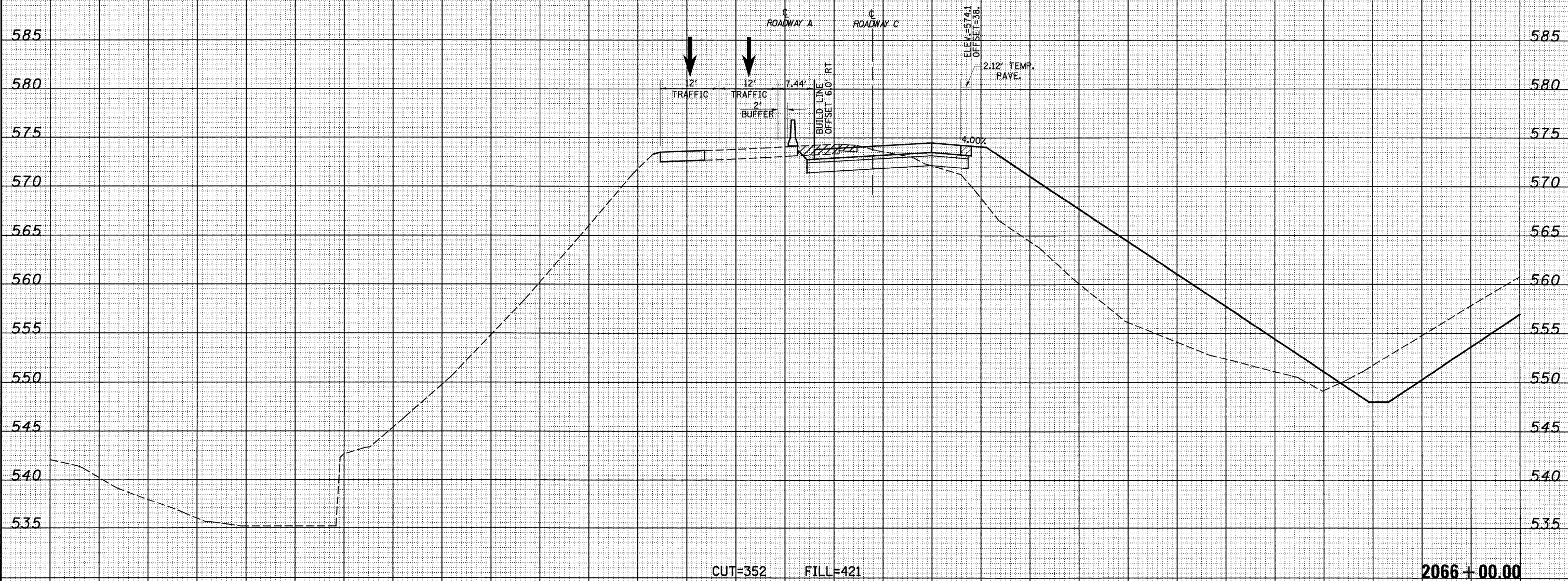
DATE _____
 BY _____
 DESIGNED _____
 DRAWN _____
 CHECKED _____
 DATE _____

DATE _____
 BY _____
 DESIGNED _____
 DRAWN _____
 CHECKED _____
 DATE _____

150 140 130 120 110 100 90 80 70 60 50 40 30 20 10 0 10 20 30 40 50 60 70 80 90 100 110 120 130 140 150

LEGEND

-  - TEMPORARY PCC PAVEMENT
-  - REMOVAL
-  - TEMPORARY HOT-MIX ASPHALT
-  - TEMPORARY CONCRETE BARRIER
-  - DRUM



FILE NAME -	USER NAME = lmda	DESIGNED - JWS	REVISED -	STATE OF ILLINOIS DEPARTMENT OF TRANSPORTATION	MAINTENANCE OF TRAFFIC SOUTH TRI LEVEL - ROADWAY A (STAGE 1)			F.A.I. RTE. 57/70	SECTION (25-3)R	COUNTY EFFINGHAM	TOTAL SHEETS 1416	SHEET NO. 1144		
SAProject\M3-0007257-00.dwg	PLOT SCALE = 20,0000 ' / IN.	DRAWN - LEC	REVISED -					SCALE: 1"=10'	SHEET NO. 55 OF 73 SHEETS	STA. 2066+00.00 TO STA. 2066+00.00	FED. ROAD DIST. NO.	ILLINOIS FED. AID PROJECT	CONTRACT NO. 74296	
	PLOT DATE = 2/10/2010	CHECKED - BRM	REVISED -											
		DATE - 2-25-08	REVISED -											