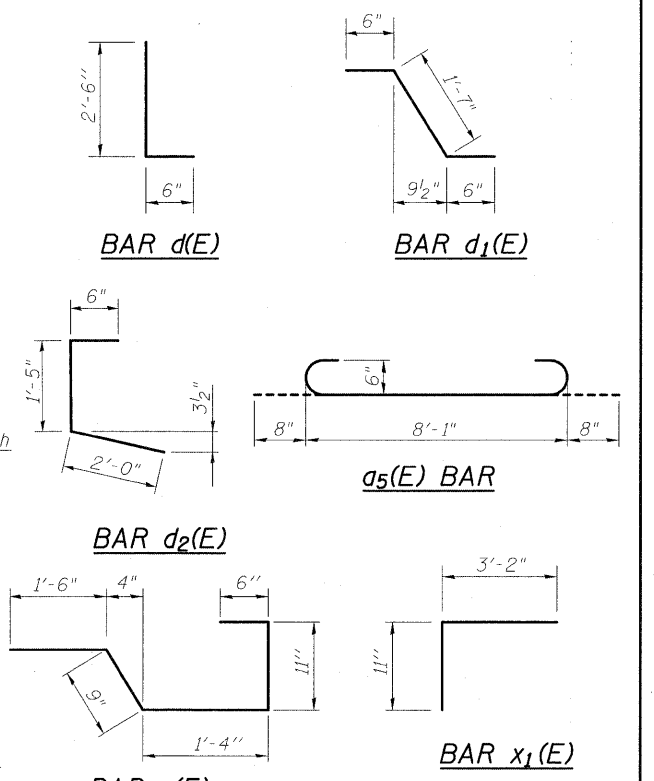
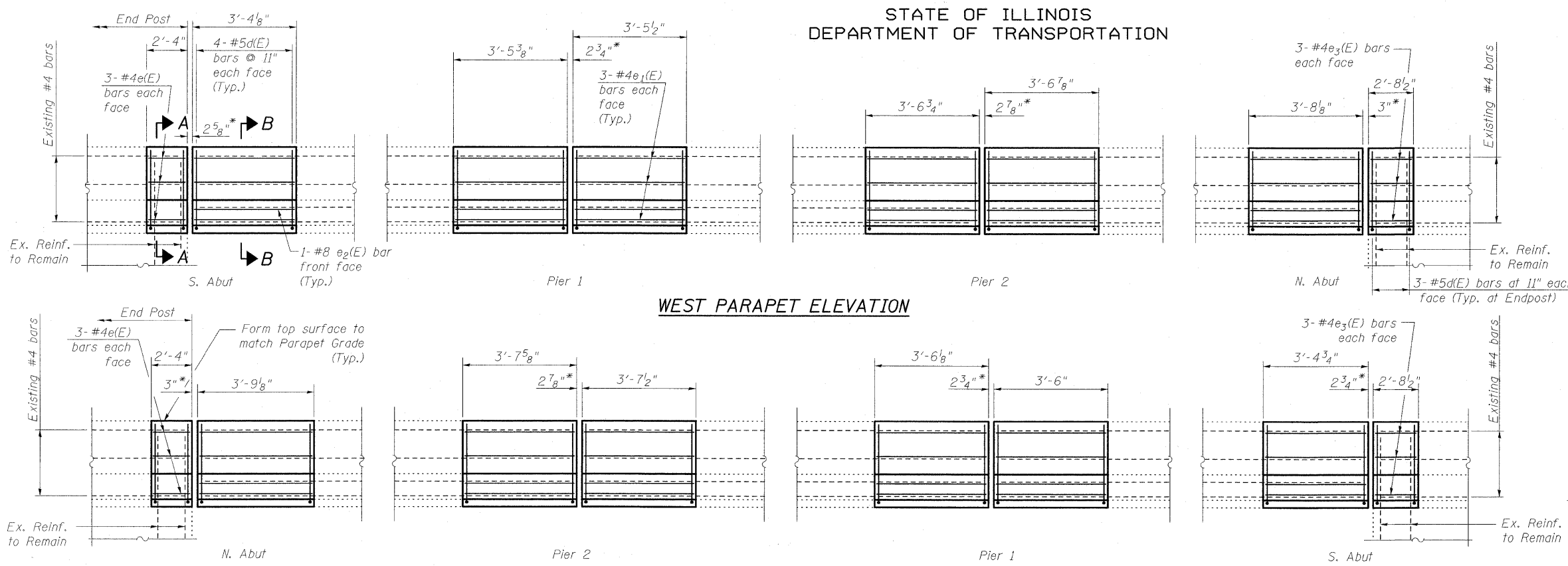


STATE OF ILLINOIS
DEPARTMENT OF TRANSPORTATION



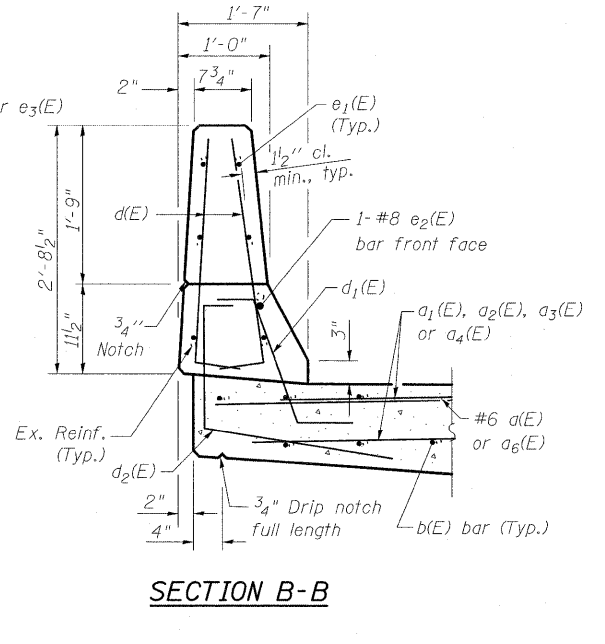
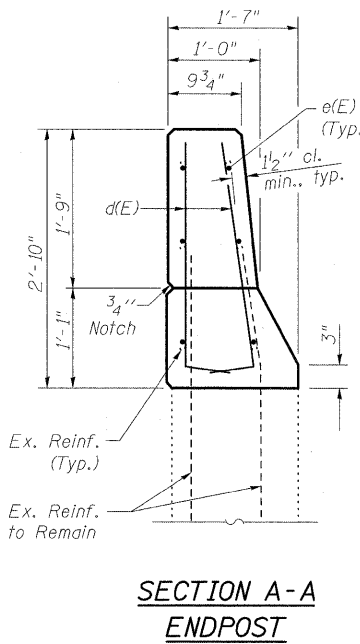
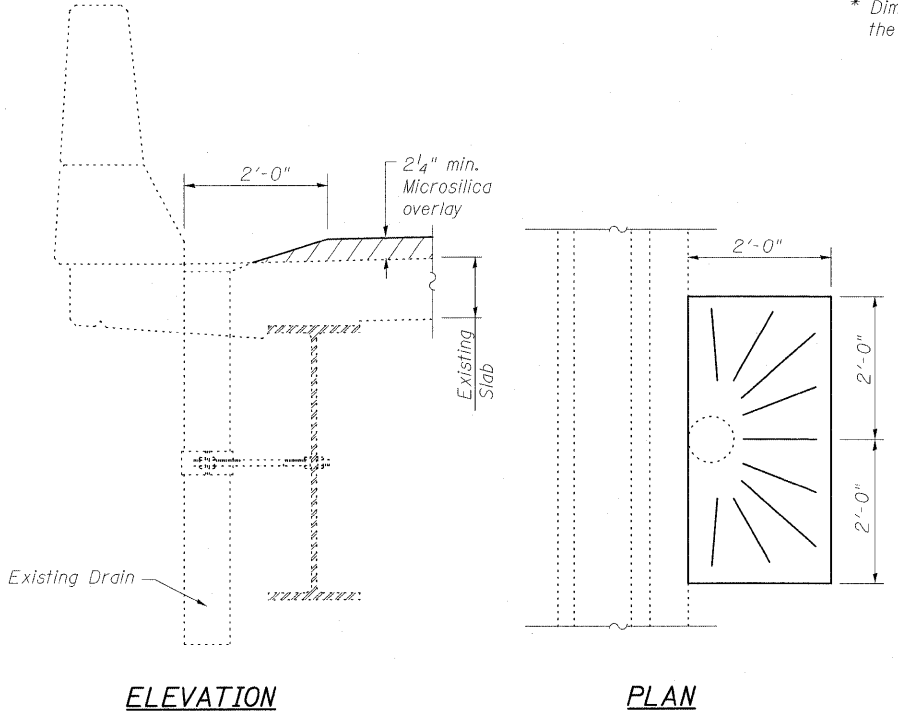
BILL OF MATERIAL

Bar	No.	Size	Length	Shape
a(E)	16	#6	8'-0"	—
a1(E)	18	#5	22'-10"	—
a2(E)	32	#5	23'-7"	—
a3(E)	32	#5	24'-4"	—
a4(E)	18	#5	25'-2"	—
a5(E)	24	#6	9'-6"	U
a6(E)	16	#6	5'-7"	—
b(E)	72	#5	3'-0"	—
d(E)	120	#5	3'-0"	—
d1(E)	56	#5	2'-7"	—
d2(E)	56	#5	3'-11"	—
e(E)	12	#4	2'-0"	—
e1(E)	72	#4	3'-0"	—
e2(E)	12	#8	3'-0"	—
e3(E)	12	#4	2'-5"	—
x(E)	60	#5	5'-0"	—
x1(E)	204	#5	4'-1"	—
Bar Splicers			Each	56
Concrete Superstructure			Cu. Yd.	42.9
Reinforcement Bars, Epoxy Coated			Pound	5550
Concrete Bridge Deck Scaffication, 1/2"			Sq. Yd.	652
Bridge Deck Microsilica Concrete Overlay, 2 1/4"			Sq. Yd.	591

Note:
Quantity of End Post Concrete included with Concrete Superstructures.

EAST PARAPET ELEVATION

* Dimensions are along the length of the parapet at 50° F.



OVERLAY DETAIL FOR EXISTING DECK DRAINS THAT ARE TO REMAIN OPEN

DESIGNED	B.B.
CHECKED	C.J.F.
DRAWN	W.J.S.
CHECKED	C.J.F. & B.B.

**SUPERSTRUCTURE BILL OF MATERIAL & PARAPET DETAILS
STRUCTURE NO. 025-0001**

SHEET NO. 7 27 SHEETS	F.A.I. RTE.	SECTION	COUNTY	TOTAL SHEETS	SHEET NO.
	57	(25-3HB)I-2	EFFINGHAM	1416	1361
SN 025-0001			CONTRACT NO. 74296		
FED. ROAD DIST. NO. 7 ILLINOIS FED. AID PROJECT					

BERNARDIN LOCHMUELLER & ASSOCIATES, INC.
3 Oak Drive
Maryville, IL 62422-5635
Local: (618) 358-4995
Fax: 618-358-4666