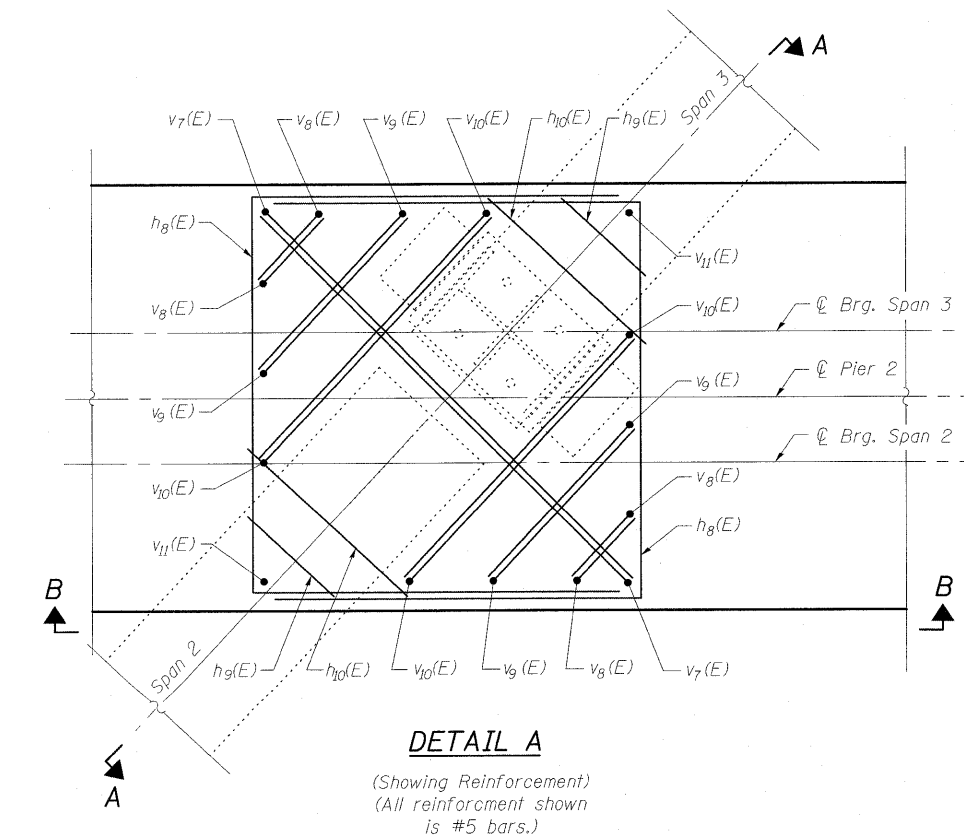
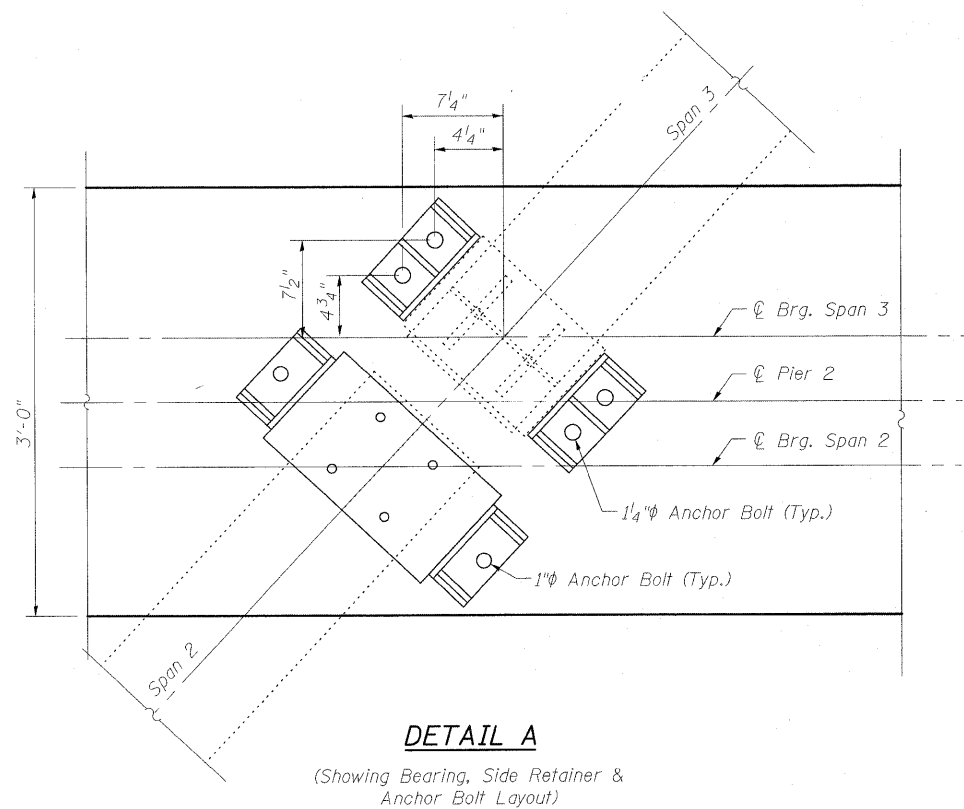
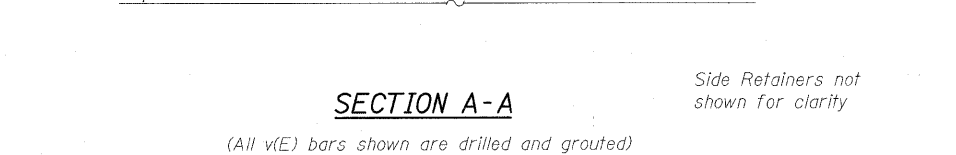
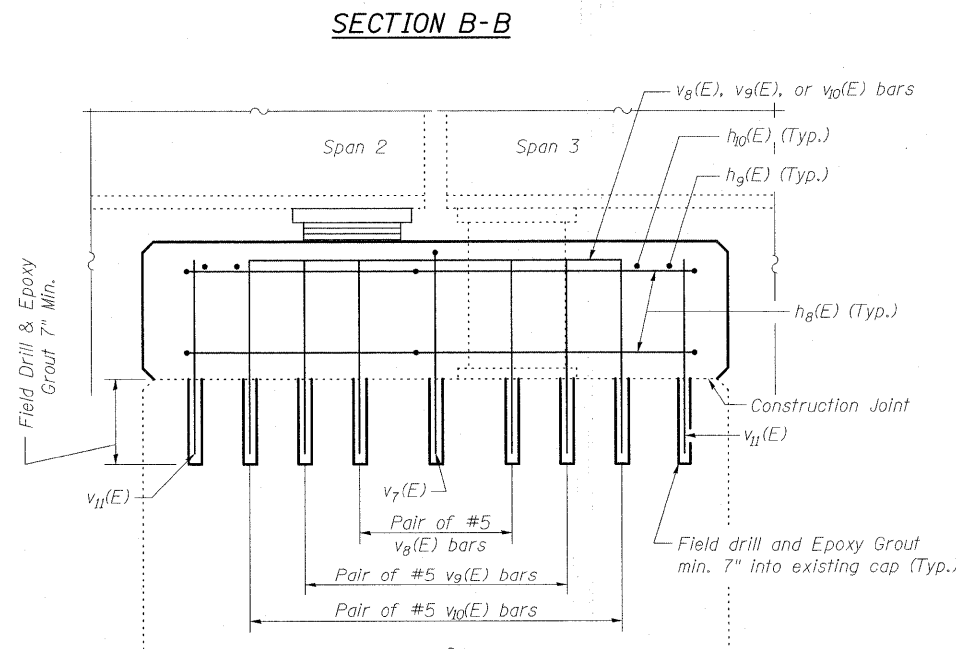
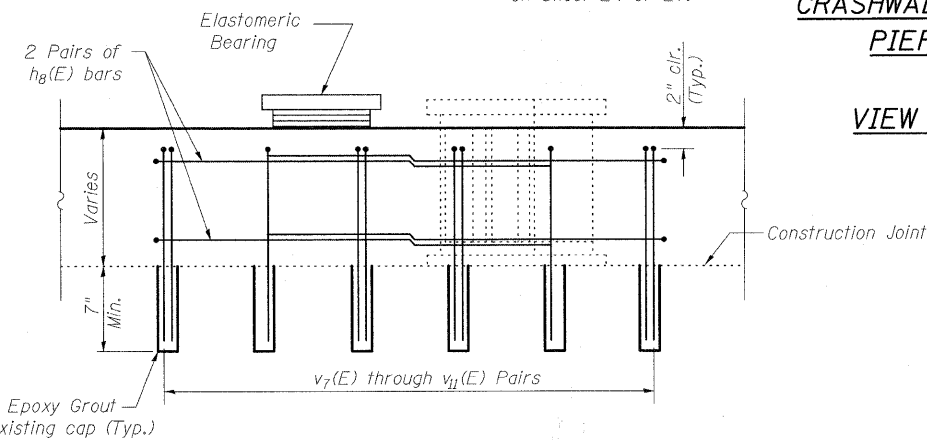
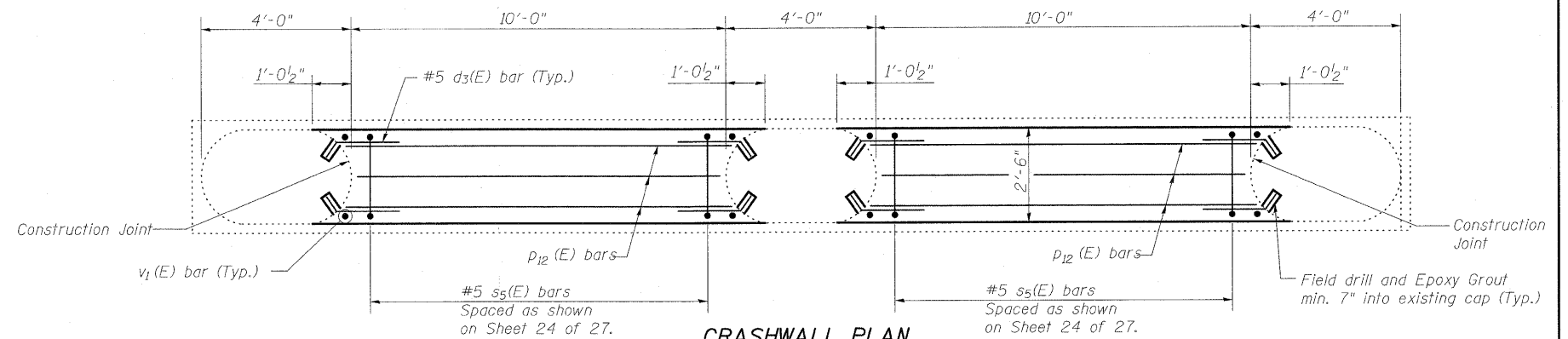


STATE OF ILLINOIS
DEPARTMENT OF TRANSPORTATION



DESIGNED	B.B.
CHECKED	C.J.F.
DRAWN	W.J.S.
CHECKED	C.J.F. & B.B.

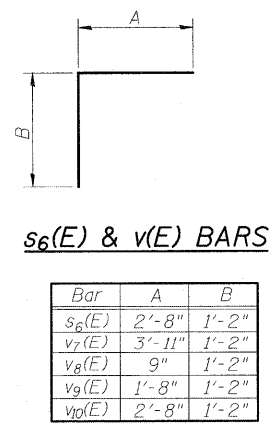


Notes:
Bars shall be drilled and grouted according to Section 584 of the Standard Specifications.
Concrete Sealer shall be applied only to exposed surfaces of the new concrete on Pier 2.

MIN BAR LAP
#5 bar = 1'-8"

PIER 2
BILL OF MATERIAL

Bar	No.	Size	Length	Shape
d ₃ (E)	32	#5	2'-10"	—
h ₈ (E)	24	#5	8'-10"	□
h ₉ (E)	12	#5	1'-3"	—
h ₁₀ (E)	12	#5	2'-0"	—
p ₅ (E)	2	#5	6'-8"	—
p ₆ (E)	4	#5	1'-9"	—
p ₇ (E)	2	#5	2'-10"	—
p ₈ (E)	8	#5	10'-0"	—
p ₉ (E)	8	#5	2'-6"	—
p ₁₀ (E)	2	#5	8'-6"	—
p ₁₁ (E)	10	#5	4'-8"	—
p ₁₂ (E)	18	#5	9'-8"	—
s ₅ (E)	20	#5	9'-6"	□
s ₆ (E)	56	#5	3'-10"	□
v ₁ (E)	8	#5	3'-8"	—
v ₇ (E)	12	#5	5'-1"	□
v ₈ (E)	24	#5	1'-11"	□
v ₉ (E)	24	#5	2'-10"	□
v ₁₀ (E)	24	#5	3'-10"	□
v ₁₁ (E)	12	#5	1'-2"	—
Concrete Sealer		Sq. Ft.	234	
Concrete Structures		Cu. Yd.	10.6	
Reinforcement Bars, Epoxy Coated		Pound	1490	



PIER 2 DETAILS
STRUCTURE NO. 025-0001

SHEET NO. 25 27 SHEETS	F.A.I. RTE.	SECTION	COUNTY	TOTAL SHEETS	SHEET NO.
	57	(25-3HB)I-2	EFFINGHAM	1416	1379
SN 025-0001			CONTRACT NO. 74296		
FED. ROAD DIST. NO. 7 ILLINOIS FED. AID PROJECT					

BERNARDIN LOCHMUELLER & ASSOCIATES, INC.

3 Oak Drive
Maryville, IL 62862-5685
Local: (618) 388-4665
Fax: 618-388-4666

10/16/04 AM 3/18/2010 10:25:00 74296.dgn