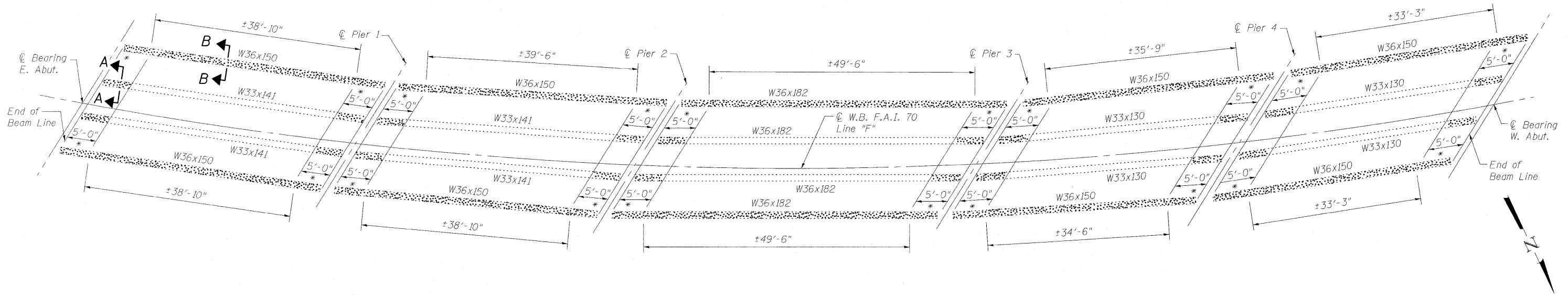


STATE OF ILLINOIS
DEPARTMENT OF TRANSPORTATION

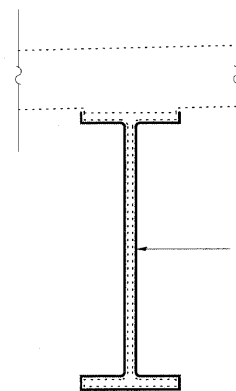


PLAN

* Indicates limits defined in Section A-A.

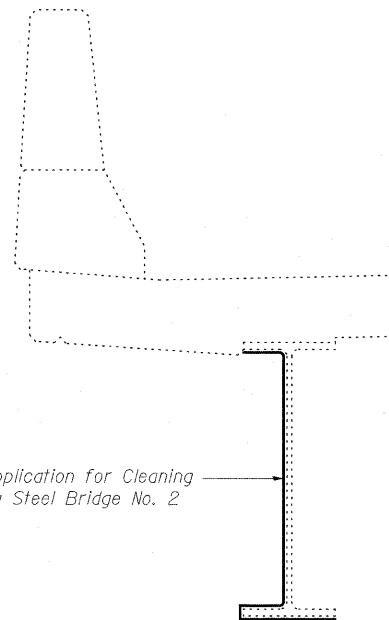


Locations where Cleaning and Painting Steel Bridge are Required. See Sections A-A and B-B for limits of application.



SECTION A-A

Limits of application for Cleaning and Painting Steel Bridge No. 2



SECTION B-B

Limits of application for Cleaning and Painting Steel Bridge No. 2

DESIGNED	B.B.
CHECKED	C.J.F.
DRAWN	W.J.S.
CHECKED	C.J.F. & B.B.

EXISTING STEEL PAINT DETAILS No. 2
STRUCTURE NO. 025-0018



**BERNARDIN
LOCHMUELLER &
ASSOCIATES, INC.**

3 Oak Drive
Maryville, IL 62002-5605
Local (618) 288-4665
Fax 618-288-4666

SHEET NO. 33 36 SHEETS	F.A.I. RTE.	SECTION	COUNTY	TOTAL SHEETS	SHEET NO.
	57	(25-3HB)I-3	EFFINGHAM	1416	1414
SN 025-0018			CONTRACT NO. 74296		
FED. ROAD DIST. NO. 7 ILLINOIS FED. AID PROJECT					