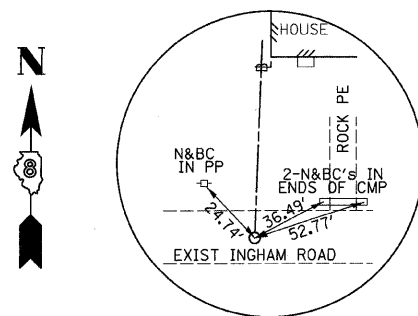
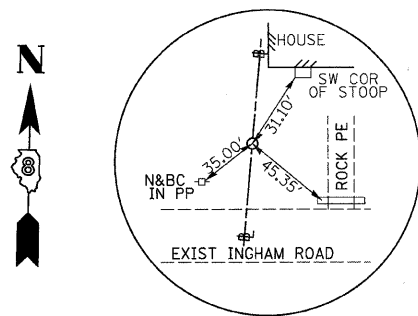


FAP NO.	SECTION	COUNTY	TOTAL SHEETS	SHEET NO.
310	60-16-1&1B, 42-1&1B	MADISON & JERSEY	481	49

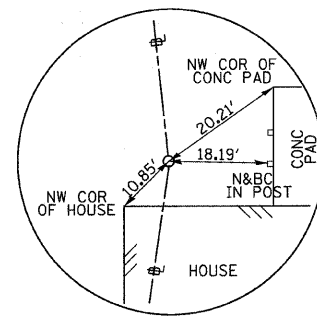
**CONTRACT NO. 76318**



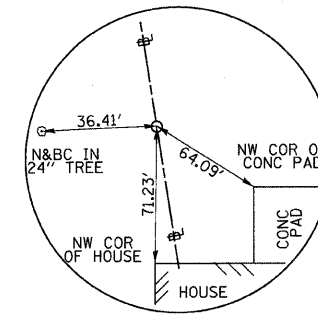
**N INGHAM ACCESS DRIVE  
POT STA 170+00.00**  
N - 852159.67 E - 2277586.15  
5/8" I. ROD W/CAP



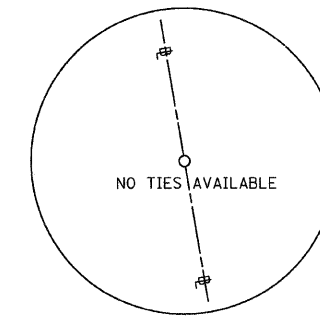
**N INGHAM ACCESS DRIVE  
PC STA 170+52.86**  
N - 852212.53 E - 2277586.24  
5/8" I. ROD W/CAP



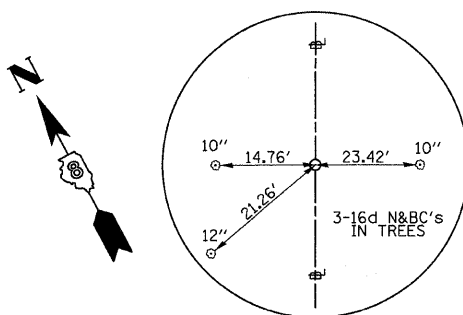
**N INGHAM ACCESS DRIVE  
PI STA 171+15.00**  
N - 852274.67 E - 2277586.35  
5/8" I. ROD W/CAP



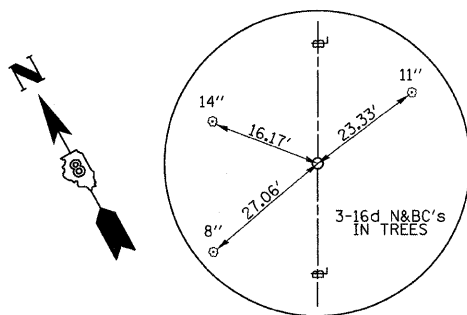
**N INGHAM ACCESS DRIVE  
PT STA 171+74.85**  
N - 852330.14 E - 2277588.35  
5/8" I. ROD W/CAP



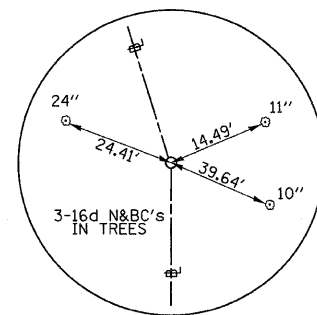
**N INGHAM ACCESS DRIVE  
POT STA 175+50**  
N - 852665.06 E - 2277389.32  
5/8" I. ROD W/CAP



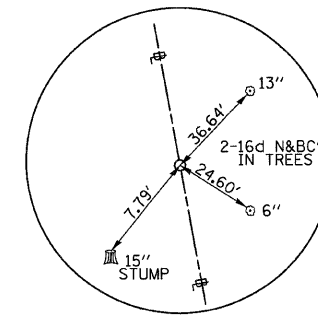
**STAGECOACH ROAD  
POT STA 194+24.76**  
N - 853882.05 E - 2275370.00  
5/8" I. ROD W/CAP



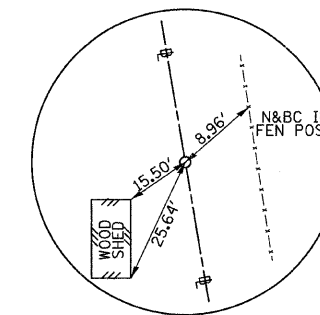
**STAGECOACH ROAD  
PC STA 194+65.71**  
N - 853914.16 E - 2275395.41  
5/8" I. ROD W/CAP



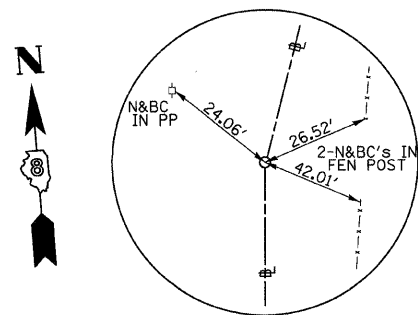
**STAGECOACH ROAD  
PI STA 195+33.30**  
N - 853967.17 E - 2275437.36  
5/8" I. ROD W/CAP



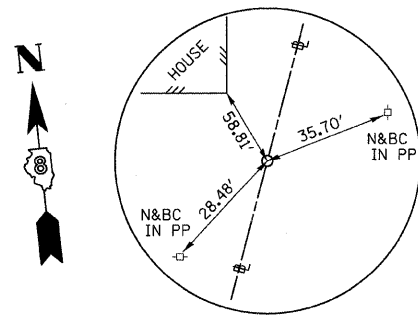
**STAGECOACH ROAD  
PT STA 196+00.57**  
N - 854026.45 E - 2275469.81  
5/8" I. ROD W/CAP



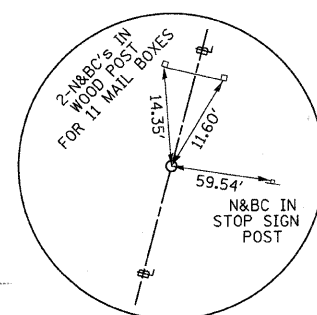
**STAGECOACH ROAD  
PC STA 197+08.83**  
N - 854121.41 E - 2275521.80  
5/8" I. ROD W/CAP



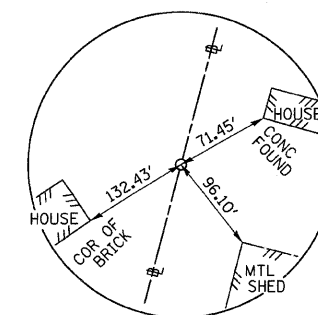
**STAGECOACH ROAD  
PI STA 197+75.31**  
N - 854179.72 E - 2275553.72  
5/8" I-ROD W/CAP



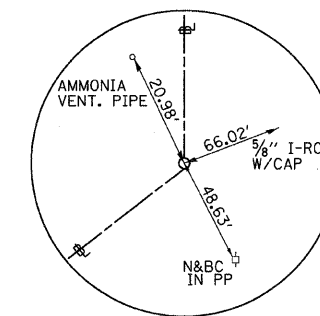
**STAGECOACH ROAD  
PT STA 198+41.48**  
N - 854231.96 E - 2275594.83  
5/8" I-ROD W/CAP



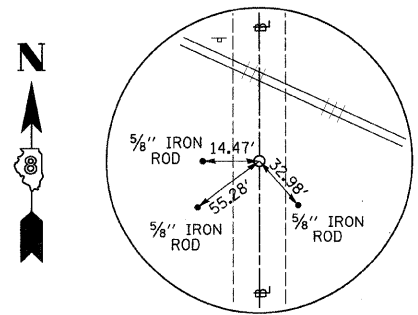
**STAGECOACH ROAD  
POT STA 200+00.00**  
N - 854356.54 E - 2275692.86  
5/8" I-ROD W/CAP



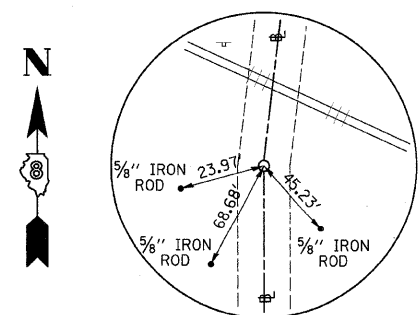
**STAGECOACH ROAD  
PC STA 204+10.06**  
N - 854678.79 E - 2275946.44  
5/8" I. ROD W/CAP



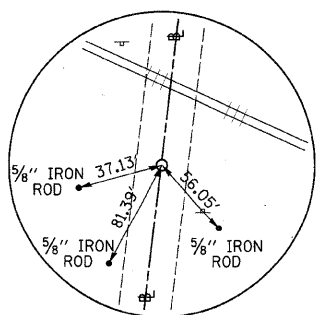
**STAGECOACH ROAD  
PI STA 205+00.00**  
N - 854749.47 E - 2276002.07  
5/8" I. ROD W/CAP



**STAGECOACH ROAD  
PRC STA 205+80.43**  
N - 854838.70 E - 2275990.79  
RR SPIKE W/ PUNCH HOLE



**STAGECOACH ROAD  
PI STA 205+93.79**  
N - 854851.96 E - 2275989.11  
RR SPIKE W/ PUNCH HOLE



**STAGECOACH ROAD  
PT STA 206+06.85**  
N - 854864.92 E - 2275992.40  
RR SPIKE W/ PUNCH HOLE

PLAN	SURVEYED	DATE
NOTE BOOK	ALIGNED	
NO.	BY	
	DATE	

DATE-TIME  
DATE-TIME  
DATE-TIME  
DATE-TIME

21041pt002a

**Hutchison** Since 1945  
**Engineering Inc.**  
Jacksonville \* Shorewood

REVISIONS	
NAME	DATE

ILLINOIS DEPARTMENT OF TRANSPORTATION

SIDEROAD TIE POINTS  
FAP ROUTE 310  
SECTION 60-16-1&1B, 42-1&1B  
MADISON AND JERSEY COUNTIES

SCALE: VERT.  
HORIZ.  
DATE FEBRUARY 25, 2010  
PLOT DATE: \*DATE-TIME\*

DRAWN BY JST  
CHECKED BY AWM