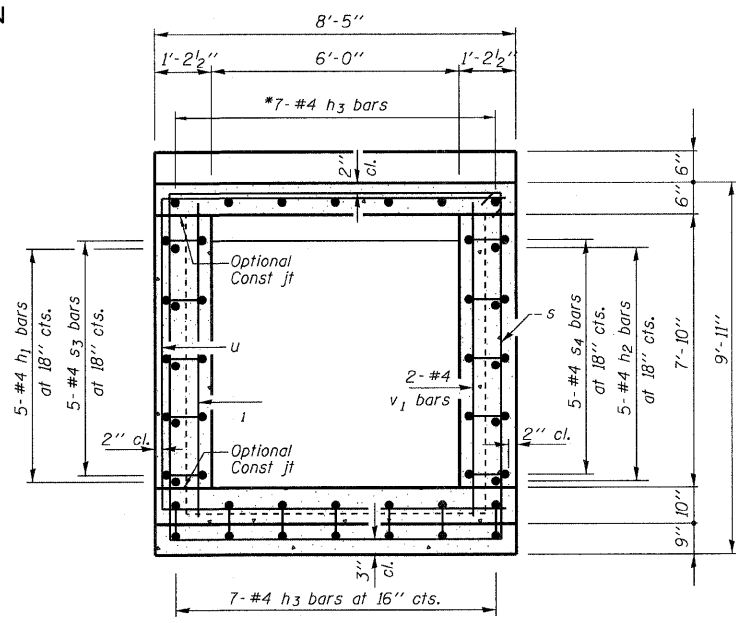
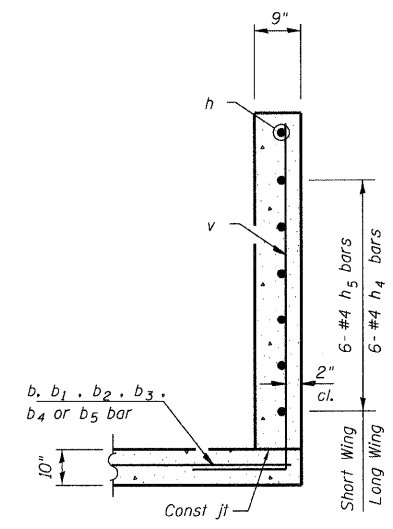
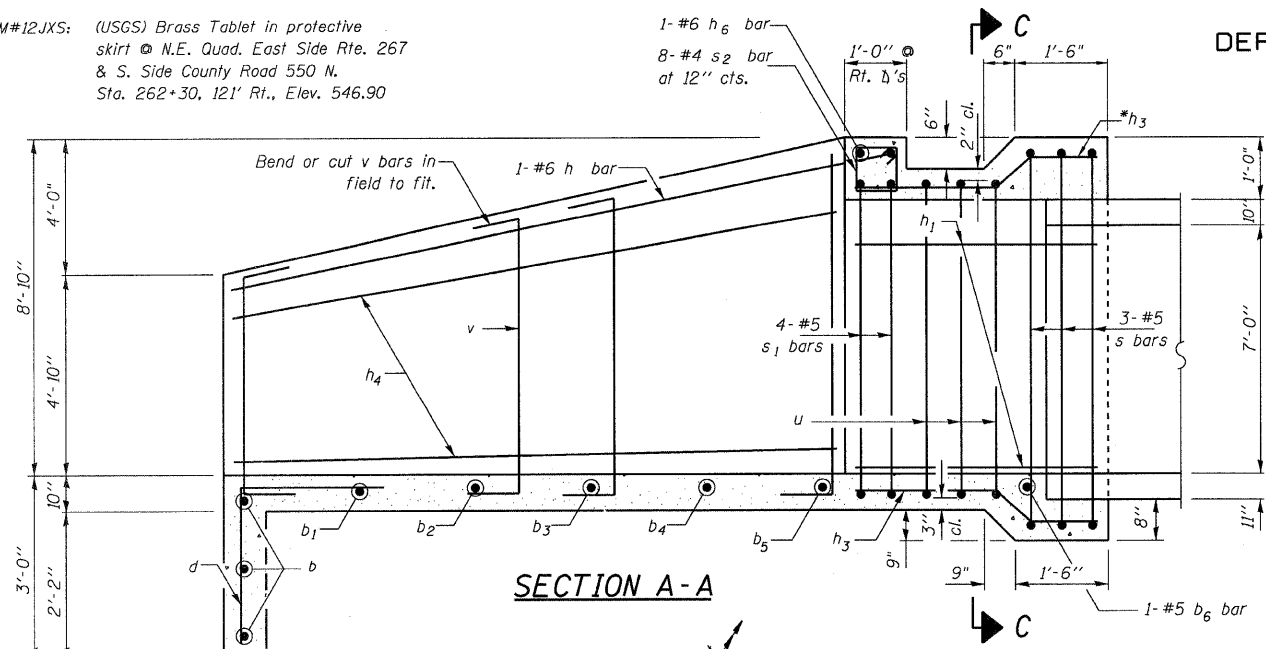


STATE OF ILLINOIS  
DEPARTMENT OF TRANSPORTATION

BM#12JXS: (USGS) Brass Tablet in protective skirt @ N.E. Quad, East Side Rte. 267 & S. Side County Road 550 N. Sta. 262+30, 121' Rt., Elev. 546.90



**BILL OF MATERIAL**

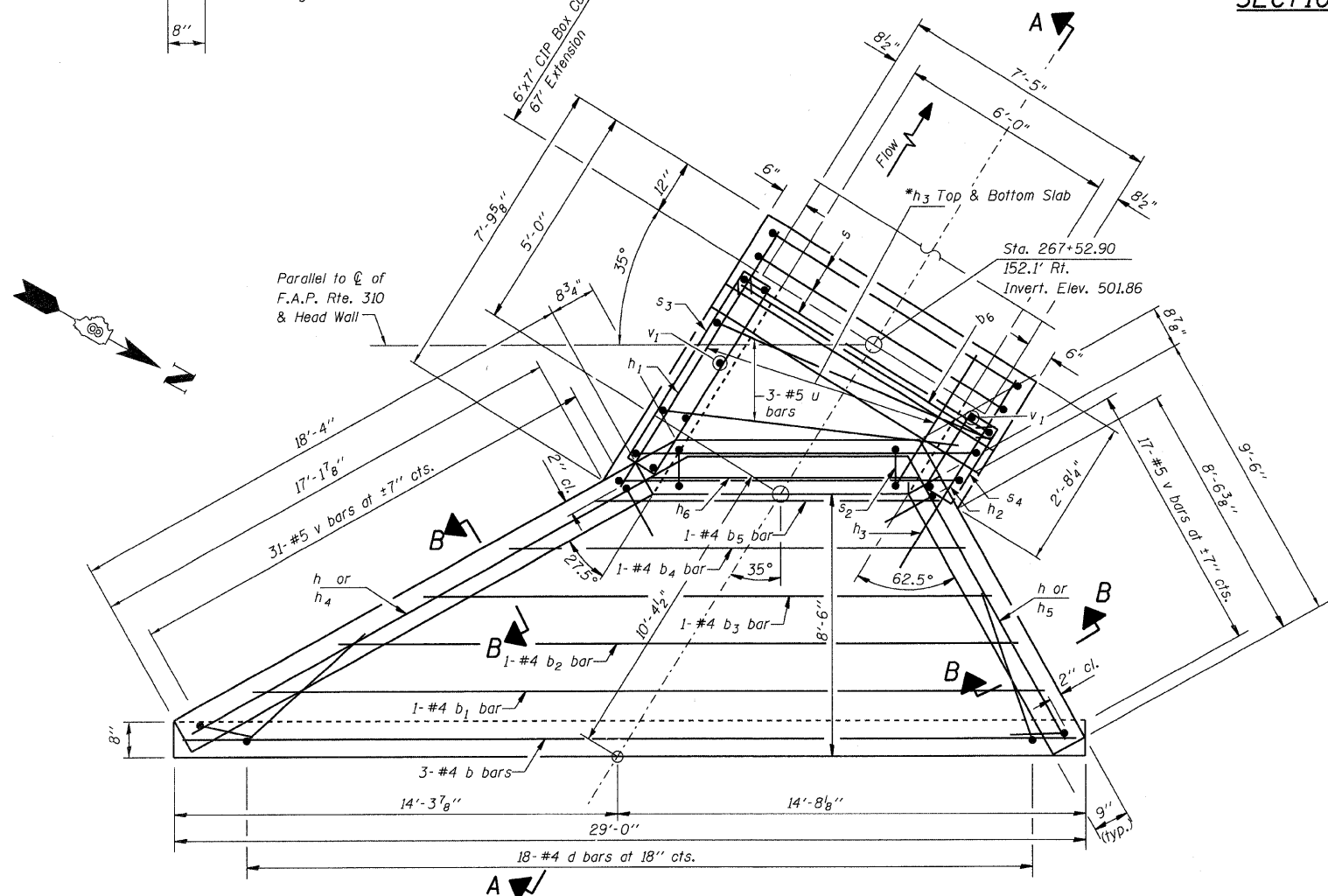
Bar	No.	Size	Length	Shape
b	3	#4	28'-8"	—
b1	1	#4	25'-6"	—
b2	1	#4	21'-10"	—
b3	1	#4	18'-2"	—
b4	1	#4	14'-6"	—
b5	1	#4	10'-10"	—
b6	1	#5	7'-0"	—
d	18	#4	5'-4"	└
h	1	#6	35'-10"	—
h1	5	#4	7'-1"	—
h2	5	#4	2'-10"	—
h3	14	#4	7'-2"	—
h4	6	#4	18'-4"	—
h5	6	#4	9'-6"	—
h6	1	#6	7'-4"	—
s	3	#5	36'-10"	—
s1	4	#5	20'-7"	—
s2	8	#4	3'-5"	—
s3	5	#4	14'-1"	—
s4	5	#4	5'-7"	—
u	3	#5	24'-7"	└
v	48	#5	12'-1"	└
v1	6	#4	8'-6"	—
# Concrete Box Culverts			Cu. Yd.	18.3
# Reinforcement Bars			Pound	1,470
Box Culvert End Section Culvert No. 2			Each	1

# For Information Only

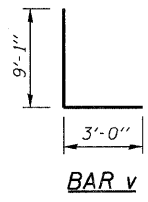
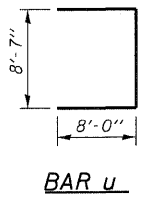
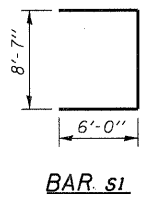
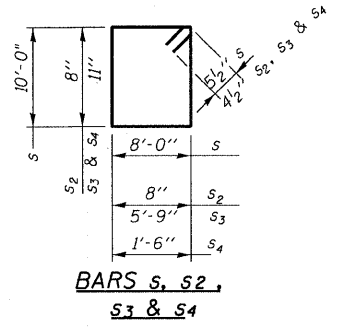
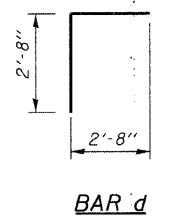
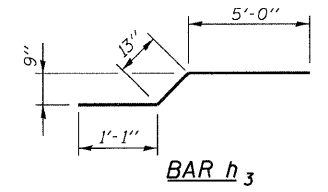
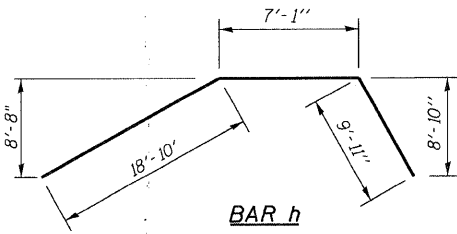
\*Cut h3 bars to fit in field.

SECTION B-B

SECTION C-C



PLAN



**MIN BAR LAP**  
#5 bar = 1'-8"

**DESIGN SPECIFICATIONS**

2002 AASHTO  
17th Edition

**LOADING HS20-44**

Allow 50#/sq. ft. for future wearing surface.

**DESIGN STRESSES**

**FIELD UNITS**

f'c = 3,500 psi  
fy = 60,000 psi (Reinf.)

**GENERAL NOTES**

Reinforcement Bars shall conform to the requirements of ASTM A706 Gr 60 (IL Modified) See Special Provisions.

All exposed edges shall be chamfered 3/4" unless otherwise noted.

All construction joints shall be bonded.

Plan dimensions and details relative to existing structures have been taken from existing plans and are subject to nominal construction variations. It shall be the Contractor's responsibility to verify such dimensions and details in the field and make necessary approved adjustments prior to ordering materials. Such variations shall not be cause for additional compensation for a change in the scope of the work, however, the Contractor will be paid for the quantity actually furnished at the unit price bid for the work.

**STATION 267+52.90 RT  
UPSTREAM 6'x7'  
END SECTION DETAILS  
FAP ROUTE 310 (US 67)  
SECTION 60-16-1-1B  
MADISON COUNTY**

DESIGNED	JMB
CHECKED	TES
DRAWN	R KING
CHECKED	TES

**HOMER L. CHASTAIN & ASSOCIATES, LLP**  
CONSULTING ENGINEERS  
DECATUR (217) 422-8544  
CHICAGO (773) 714-0050  
ROCKFORD (815) 489-0050  
184-001397

SHEET NO. 2 OF 3 SHEETS	F.A.P. RTE.	SECTION	COUNTY	TOTAL SHEETS	SHEET NO.
	310	60-16-1-1B	MADISON	481	153
FAP ROUTE 310 (US 67)			CONTRACT NO. 76318		
FED. ROAD DIST. NO.		ILLINOIS FED. AID PROJECT			