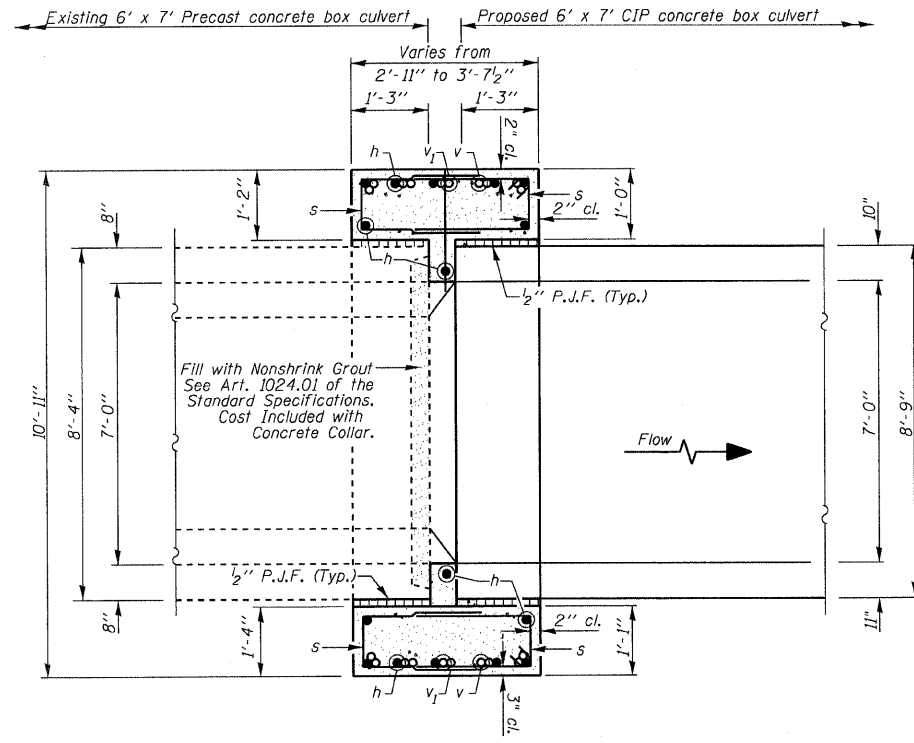
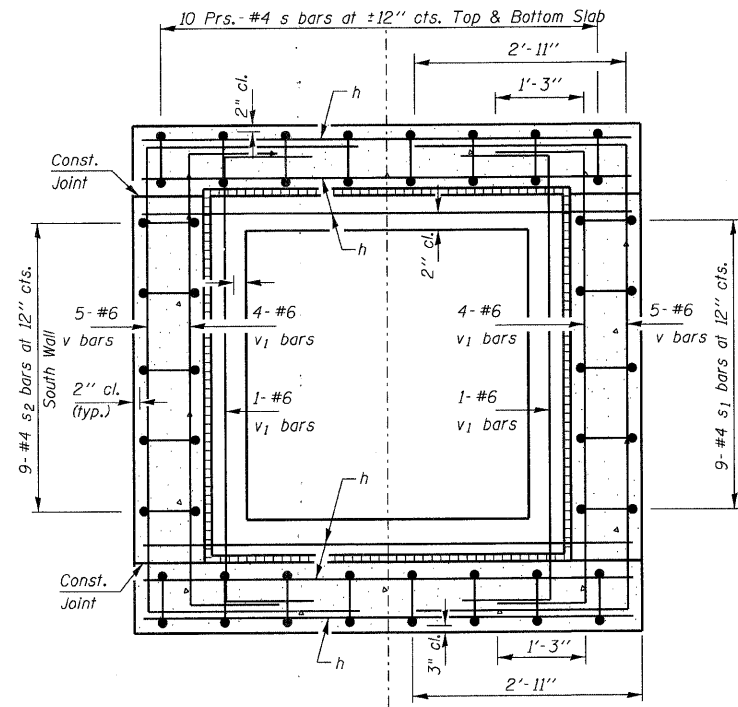


STATE OF ILLINOIS  
DEPARTMENT OF TRANSPORTATION



SECTION THRU BOX AT COLLAR  
SECTION A-A



SECTION THRU BOX AT COLLAR  
SECTION B-B

GENERAL NOTES

Reinforcement bars shall conform to the requirements of ASTM A 706 Grade 60 (IL Modified). See Special Provision.

All exposed edges shall be chamfered 3/4" unless otherwise noted.

All construction joints shall be bonded.

Plan dimensions and details relative to existing structures have been taken from existing plans and are subject to nominal construction variations. It shall be the Contractor's responsibility to verify such dimensions and details in the field and make necessary approved adjustments prior to ordering materials. Such variations shall not be cause for additional compensation for a change in the scope of the work, however, the Contractor will be paid for the quantity actually furnished at the unit price bid for the work.

DESIGN STRESSES

FIELD UNITS

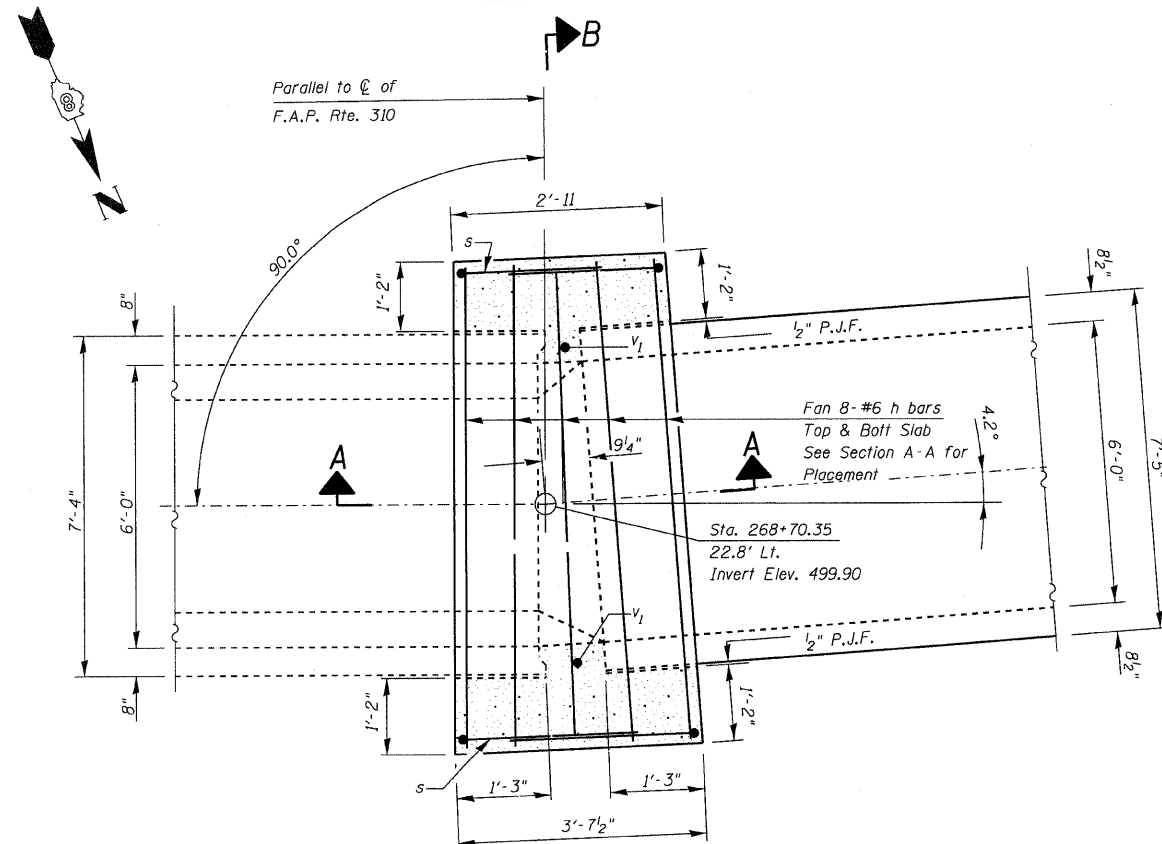
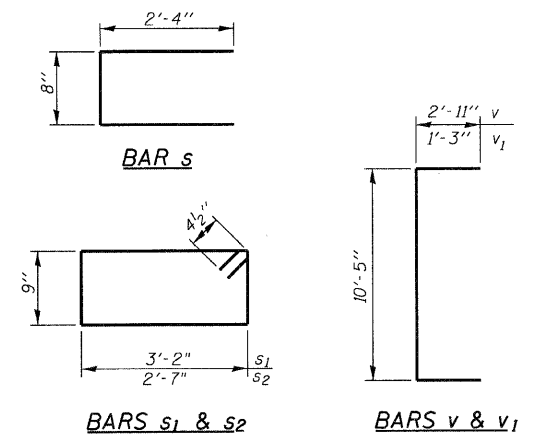
$f'c = 3,500$  psi  
 $f_y = 60,000$  psi (Reinf.)

BILL OF MATERIAL

Bar	No.	Size	Length	Shape
h	16	#6	9'-4"	—
s	40	#4	5'-4"	⊓
s1	9	#4	8'-7"	⊓
s2	9	#4	7'-5"	⊓
v	10	#6	16'-3"	⊓
v1	10	#6	12'-11"	⊓
Concrete Collar		Cu. Yd.	6.0	
Reinforcement Bars		Pound	910	

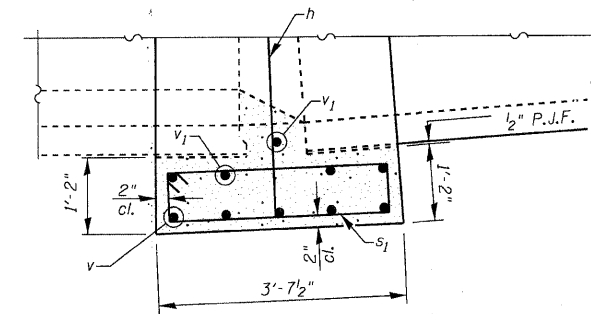
MIN. BAR LAP

#4 - 1'-4"



PLAN VIEW

SECTION THRU SOUTH SIDEWALL



SECTION THRU NORTH SIDEWALL

STATION 268+70.35 LT  
DOWNSTREAM 6'x7'  
SETTLEMENT COLLAR DETAILS  
FAP ROUTE 310 (US 67)  
SECTION 60-16-1-1B  
MADISON COUNTY

DESIGNED -	JMB
CHECKED -	TES
DRAWN -	R KING
CHECKED -	TES

HOMER L.  
**CHASTAIN**  
& ASSOCIATES, LLP  
CONSULTING ENGINEERS

DECATUR (217) 422-8544  
CHICAGO (773) 714-0050  
ROCKFORD (815) 489-0050

184-001397

SHEET NO. 3 OF 3 SHEETS	F.A.P. RTE.	SECTION	COUNTY	TOTAL SHEETS	SHEET NO.
	310	60-16-1-1B	MADISON	481	157
FAP ROUTE 310 (US 67)			CONTRACT NO. 76318		
FED. ROAD DIST. NO.		ILLINOIS	FED. AID PROJECT		