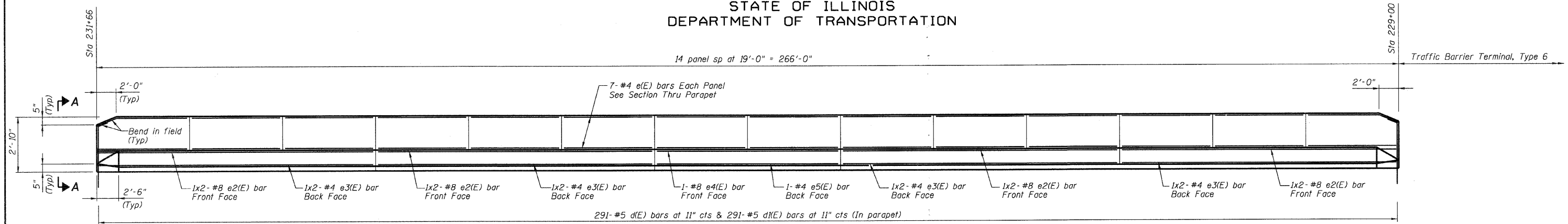


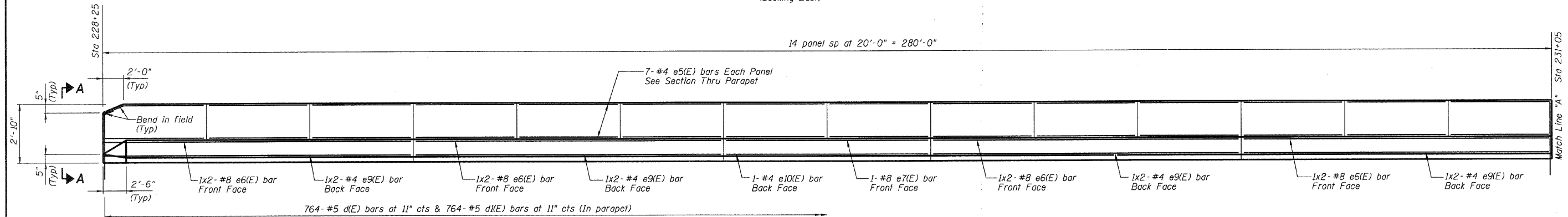
STATE OF ILLINOIS
DEPARTMENT OF TRANSPORTATION

14 panel sp at 19'-0" = 266'-0"

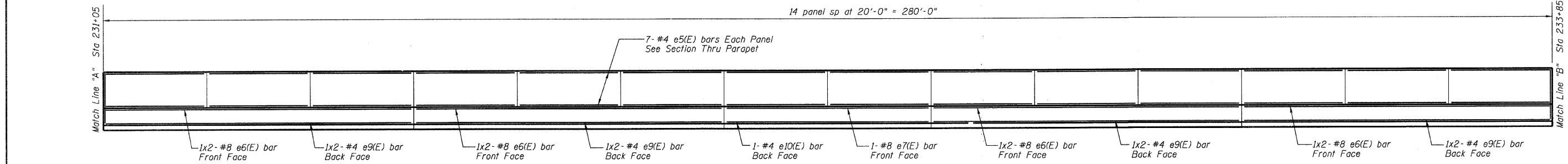


ELEVATION OF EAST PARAPET
(Looking East)

14 panel sp at 20'-0" = 280'-0"

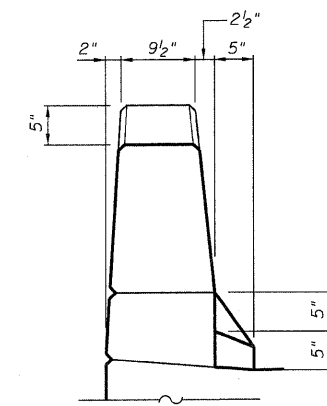
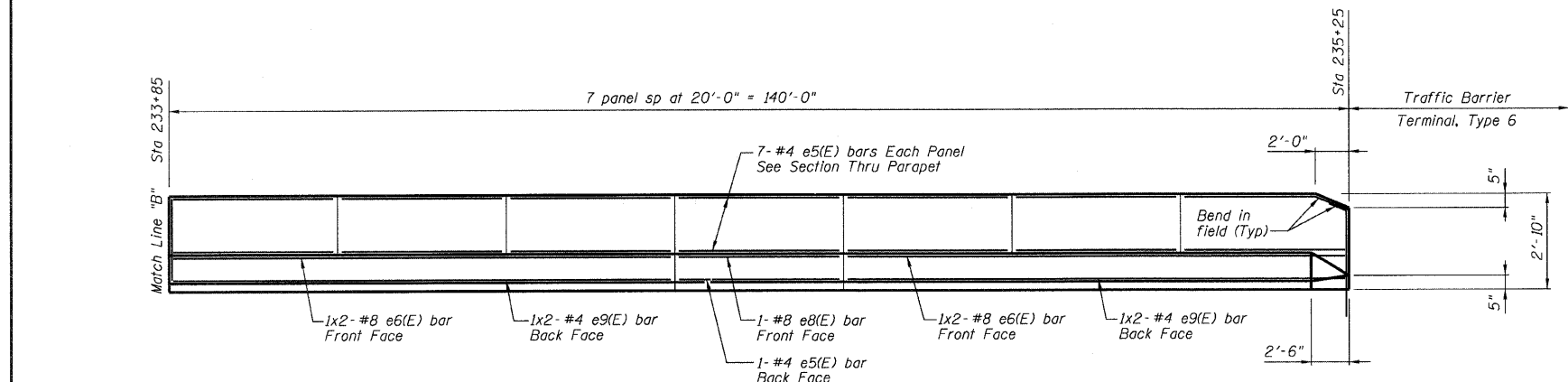


14 panel sp at 20'-0" = 280'-0"



ELEVATION OF WEST PARAPET
(Looking West)

7 panel sp at 20'-0" = 140'-0"



VIEW A-A

MINIMUM BAR LAP

(Parapet)

#4 bar = 1'-4"

#8 bar = 3'-5"

CONCRETE PARAPET ELEVATIONS
FAP ROUTE 310 (US 67)
OVER LITTLE PIASA CREEK
SECTION 60-16-1-1B
MADISON COUNTY
STATION 229+95.92
STRUCTURE NUMBER 060-W005

DESIGNED -	BWP
CHECKED -	CWC
DRAWN -	R KING
CHECKED -	CWC

HOMER L. CHASTAIN & ASSOCIATES, LLP
CONSULTING ENGINEERS
DECATUR (217) 422-8544
CHICAGO (773) 714-0050
ROCKFORD (815) 489-0050
184-001397

SHEET NO. 4 OF 8 SHEETS	F.A.P. RTE. 310	SECTION 60-16-1-1B	COUNTY MADISON	TOTAL SHEETS 481	SHEET NO. 180
	FAP ROUTE 310 (US 67)		CONTRACT NO. 76318		
FED. ROAD DIST. NO.		ILLINOIS	FED. AID PROJECT		