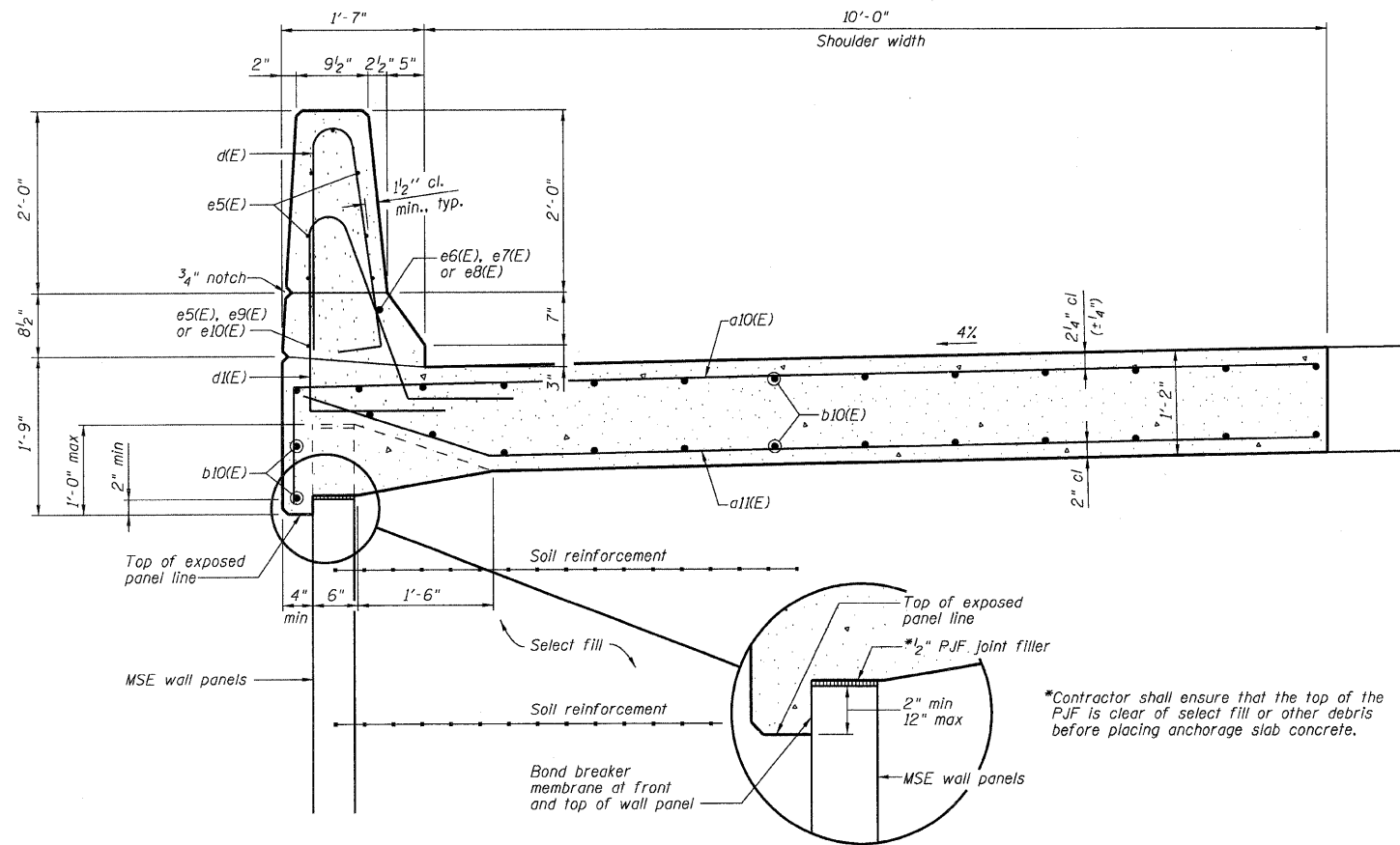
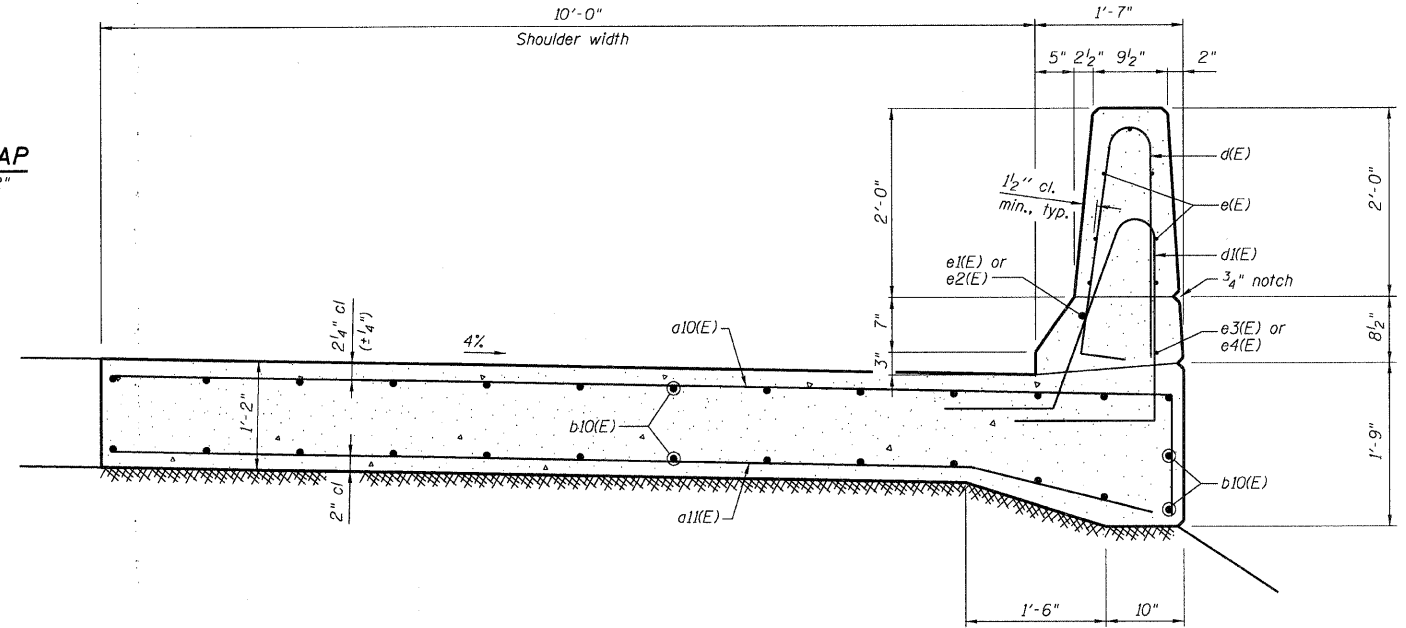


STATE OF ILLINOIS  
DEPARTMENT OF TRANSPORTATION



SECTION THRU PARAPET ABOVE PRECAST MSE WALL  
(West Parapet)

MIN BAR LAP  
#5 bar = 2'-2"



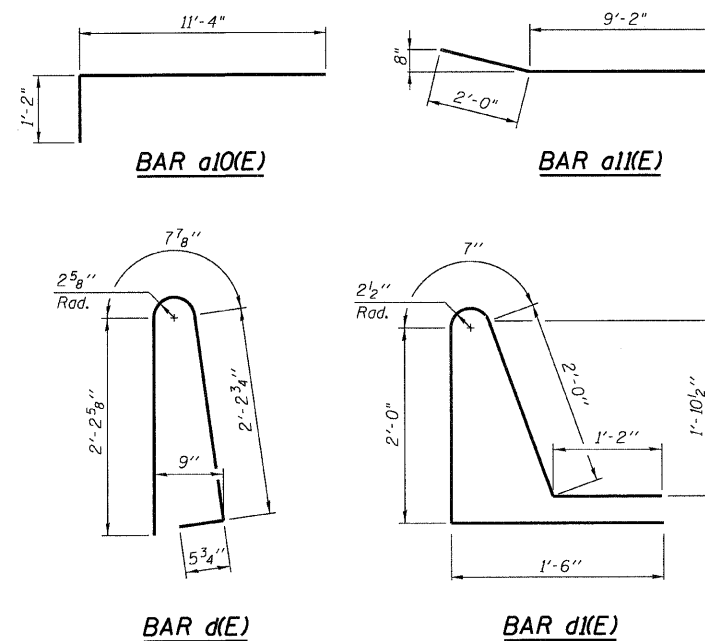
SECTION THRU PARAPET ON GRADE  
(West Parapet)

BILL OF MATERIAL

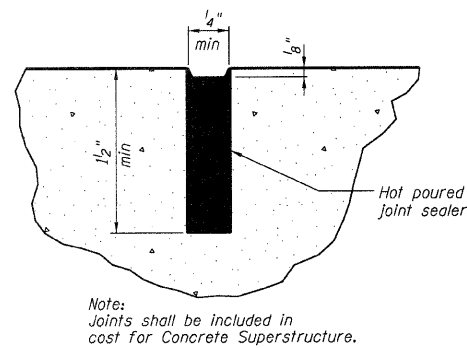
Bar	No	Size	Length	Shape
a10(E)	1055	#6	12'-6"	—
a11(E)	1055	#6	11'-2"	—
a12(E)	8	#5	1'-6"	—
b10(E)	891	#5	31'-6"	—
d(E)	1055	#5	5'-7"	⊥
d1(E)	1055	#5	7'-3"	⊥
e(E)	112	#4	18'-9"	—
e1(E)	8	#8	30'-1"	—
e2(E)	1	#8	37'-9"	—
e3(E)	8	#4	29'-1"	—
e4(E)	1	#4	37'-9"	—
e5(E)	246	#4	19'-9"	—
e6(E)	20	#8	31'-7"	—
e7(E)	2	#8	39'-9"	—
e8(E)	1	#8	19'-9"	—
e9(E)	20	#4	30'-7"	—
e10(E)	2	#4	39'-9"	—
Reinforcement Bars, Epoxy Coated	Pound		88,560	
Concrete Superstructure	Cu Yd		619.0	
Protective Coat	Sq Yd		1478	

Reinforcement bars designated (E) shall be epoxy coated.

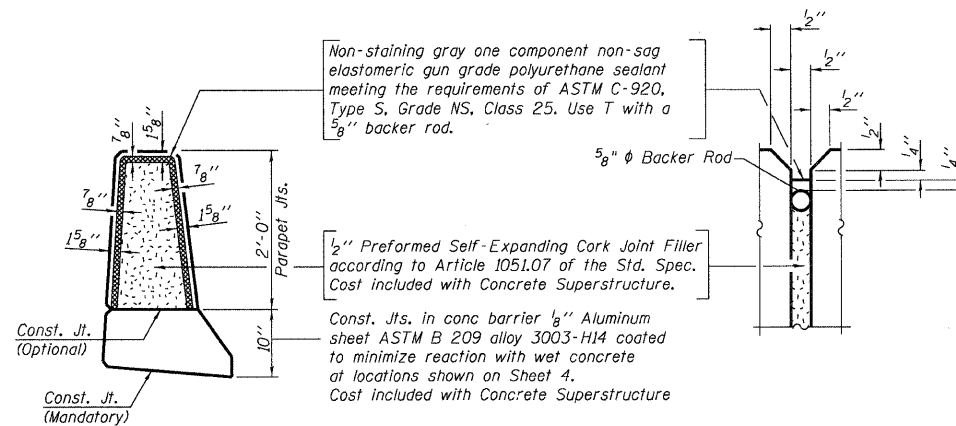
Bars indicated thus 1 x 2-#8 etc. indicates 1 line of bars with 2 lengths per line.



ANCHORAGE SLAB DETAILS  
FAP ROUTE 310 (US 67)  
OVER LITTLE PIASA CREEK  
SECTION 60-16-1-1B  
MADISON COUNTY  
STATION 229+95.92  
STRUCTURE NUMBER 060-W005



SAWED CONTRACTION JOINT DETAIL



PARAPET JOINT DETAILS

Non-staining gray one component non-sag elastomeric gun grade polyurethane sealant meeting the requirements of ASTM C-920, Type S, Grade NS, Class 25. Use T with a 5/8" backer rod.

1/2" Preformed Self-Expanding Cork Joint Filler according to Article 1051.07 of the Std. Spec. Cost included with Concrete Superstructure.

Const. Jts. in conc barrier 1/8" Aluminum sheet ASTM B 209 alloy 3003-H14 coated to minimize reaction with wet concrete at locations shown on Sheet 4. Cost included with Concrete Superstructure

DESIGNED	BWP
CHECKED	CWC
DRAWN	R KING
CHECKED	CWC

**HOMER L. CHASTAIN & ASSOCIATES, LLP**  
CONSULTING ENGINEERS  
DECATUR (217) 422-8544  
CHICAGO (773) 714-0050  
ROCKFORD (815) 489-0050  
184-001397

SHEET NO. 5 OF 8 SHEETS	F.A.P. RTE.	SECTION	COUNTY	TOTAL SHEETS	SHEET NO.
	310	60-16-1-1B	MADISON	481	181
FAP ROUTE 310 (US 67)			CONTRACT NO. 76318		
FED. ROAD DIST. NO.		ILLINOIS FED. AID PROJECT			