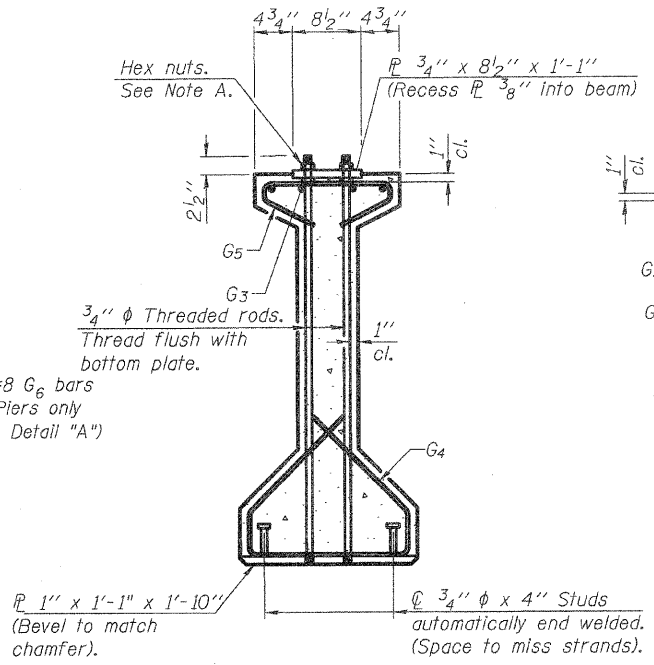


ELEVATION OF BEAM
(Showing reinforcement & dimensions)

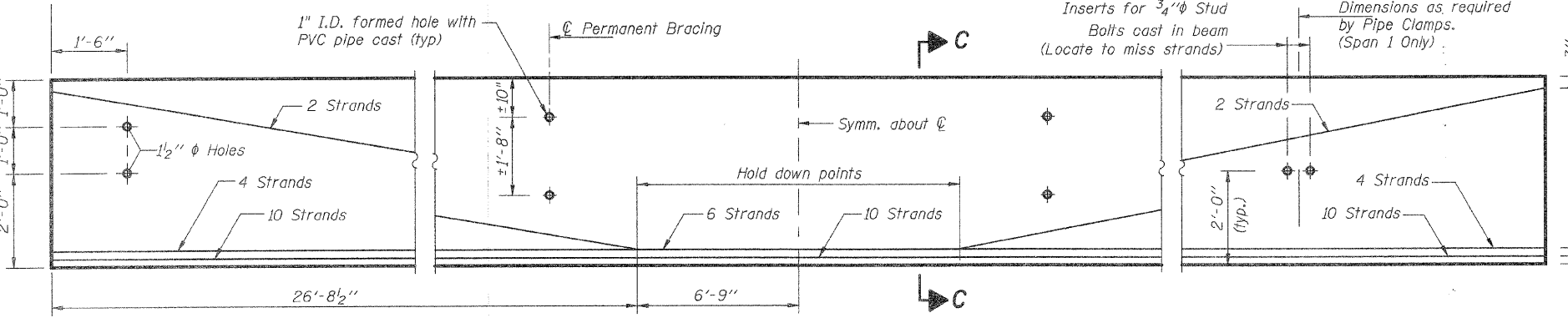
* 3 spaces at 3" = 9".
** 4-3/4" φ threaded dowel rods at 3" cts., Each Face.

Note A:
Hex nuts (top and bottom) with lock washers (top). Only tighten sufficiently to compress lock washers.



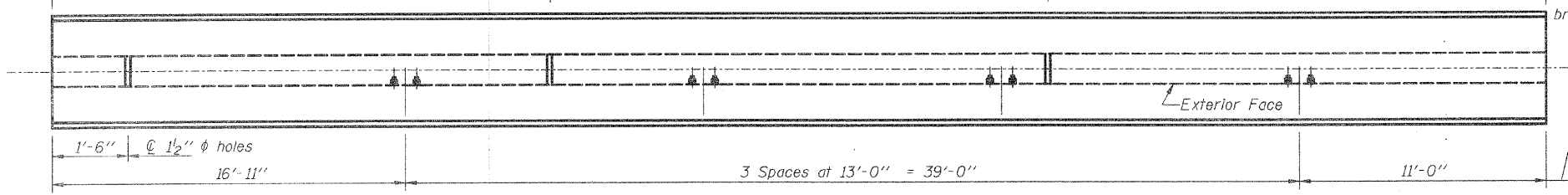
SECTION A-A

SECTION B-B



ELEVATION OF BEAM
(Showing Prestressing Steel)

Abut. End
±22'-2 5/8"
±22'-2 5/8"
±22'-2 5/8"



PLAN OF BEAMS 1 AND 6
(Showing Insert Locations for Exterior Beam Span 1 - Shown For Beam Line 6 - Beam Line 1 Opposite Hand)

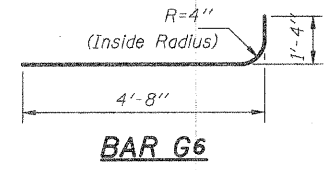
BILL OF MATERIAL

Item	Unit	Total
Furnishing and Erecting Precast Prestressed Concrete I-Beams, 48"	Ft.	803

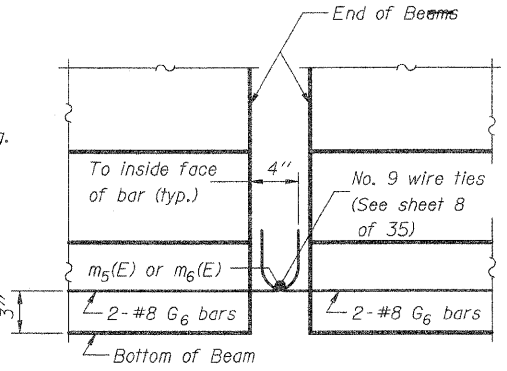
NOTES

All inserts and threaded dowel rods for inserts, reinforcing and Prestressing Steel, and other items which are cast into the Precast Concrete I-Beams shall be included in the contract unit price per foot of "Furnishing and Erecting Precast Prestressed Concrete I-Beams, 48 in."
Inserts for 3/4" φ threaded dowel rods, when specified, are to be two strut, ferrule type for interior beams and single ferrule, flared loop type for exterior beams.
Prestressing steel shall be uncoated high strength, low relaxation 7-wire strand, Grade 270. The nominal diameter shall be 1/2" and the nominal cross-sectional area shall be 0.153 sq. in.
Reinforcement bars shall conform to ASTM A 706, Grade 60.
A minimum 2 1/2" φ lifting pin shall be used to engage the lifting loops during handling.
Tilt G bars when necessary to maintain 1/2" clearance.
The top and bottom plates shall be AASHTO M270 Grade 50.
The bottom plates and studs shall be galvanized according to AASHTO M111.
Threaded rods shall be ASTM F 1554 Grade 55.
Required release strength, f'ci, shall be 5000 psi.

DESIGNED	R.K.M.
CHECKED	M.E.B.
DRAWN	P.W.S.
CHECKED	M.E.B.-R.K.M.

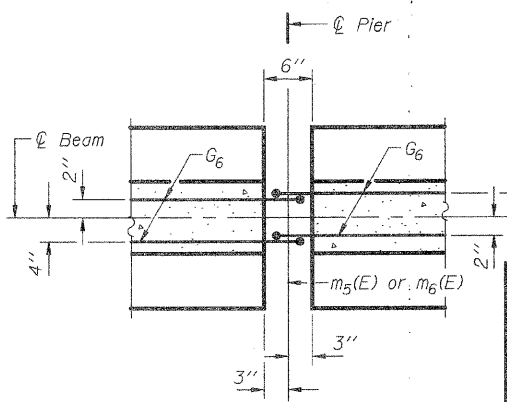


BAR G6

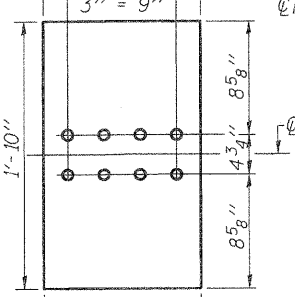
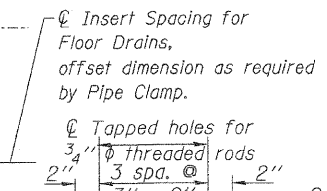


ELEVATION

DETAIL "A"



PLAN



TOP PLATE
(Showing threaded rods)

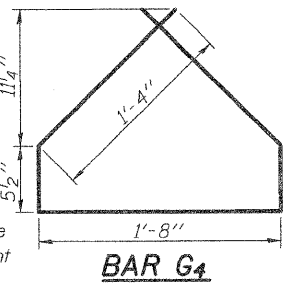
*** BAR LIST**

Bar	No.	Size	Length	Shape
G1	61	#4	9'-6"	nl
G2	12	#4	7'-11"	n
G3	12	#7	24'-6"	—
G4	38	#3	5'-3"	—
G5	67	#3	2'-9"	—
G6	2	#8	6'-0"	—

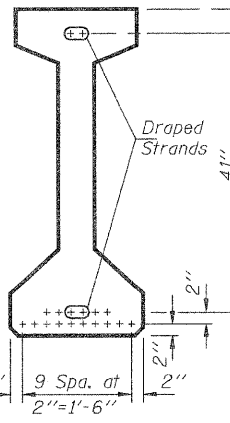
* For one beam only.



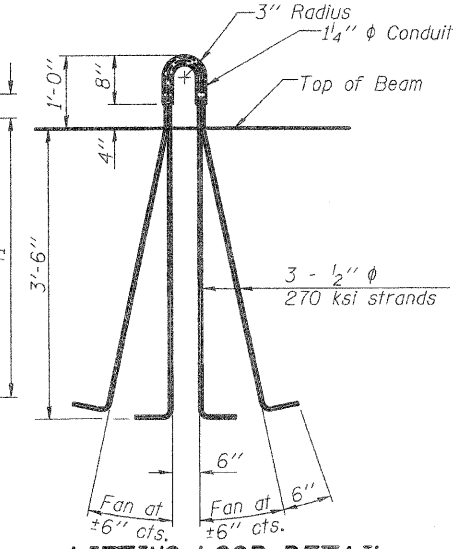
BAR G5



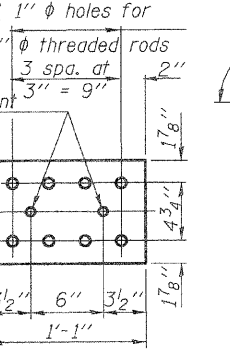
BAR G4



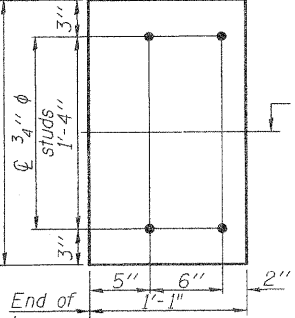
SECTION C-C



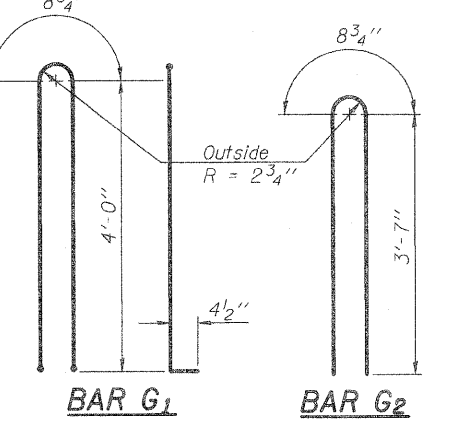
LIFTING LOOP DETAIL



TOP PLATE



BOTTOM PLATE
(Showing studs)



BAR G1

BAR G2

BEAM DETAILS SPANS 1-3 SOUTHBOUND LANES BEAMS 1-6 EAP-310 SECTION 60-16-1, 42-1 JERSEY COUNTY STATION 318+48.66 STRUCTURE NO. 042-0026 (S.B.)

HR
HURST-ROSCHKE ENGINEERS, INC.
601 NORTH BRUNS LANE
SPRINGFIELD, IL 62702
(217)-787-1199
FAX (217)-793-1199