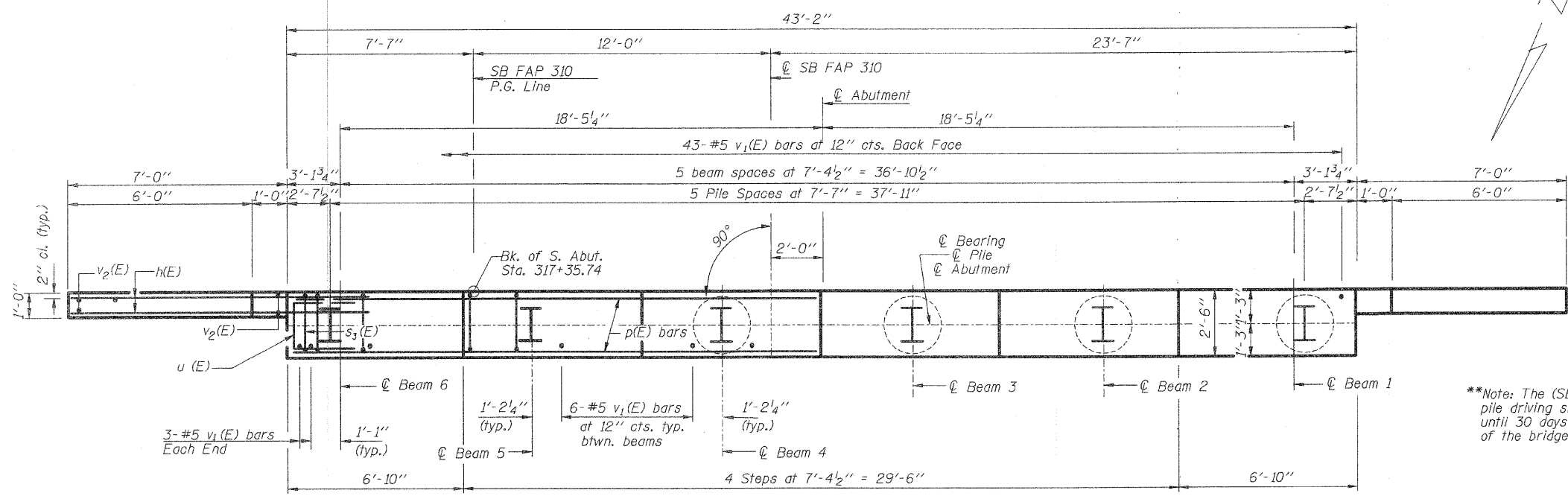


SEC. THRU ABUT.



PLAN

****Note:** The (SB) S. & N. Abut. pile driving shall be delayed until 30 days after completion of the bridge cones.

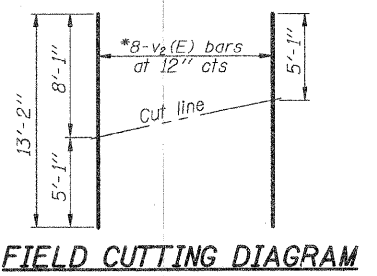
PILE DATA **

Type: Steel HP 12x53 w/ pile shoes
 Allowable Resistance Available: 139 kips
 Nominal Required Bearing: 419 kips
 Estimated Length: 46'
 No. Required: 5 plus
 1 Test Pile

Notes: Pour steps monolithically with cap.
 All Edges shall have standard 3/4" Chamfers except as Noted.

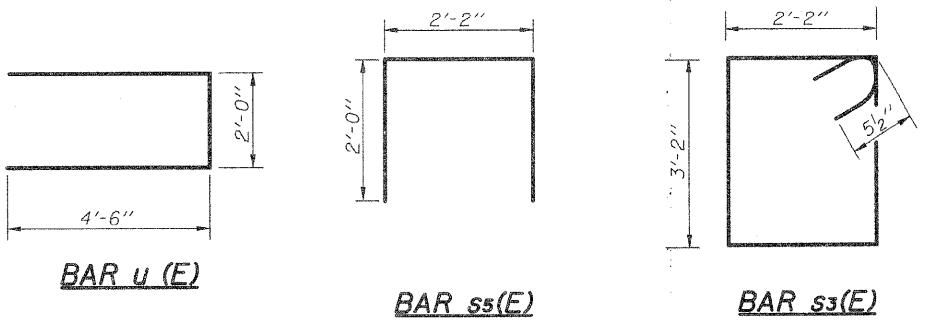
BILL OF MATERIAL

Bar No.	Size	Length	Shape
h(E)	40 #5	10'-0"	—
p(E)	10 #7	42'-10"	—
p2(E)	2 #5	7'-0"	—
s3(E)	41 #5	11'-7"	□
s5(E)	8 #5	6'-2"	□
u(E)	8 #6	11'-0"	□
v1(E)	79 #5	4'-4"	—
v2(E)	16 #5	13'-2"	—
Furnishing Steel Piles HP 12x53			Foot 230
Driving Piles			Foot 230
Pile Shoes			Each 6
Test Pile Steel HP12x53			Each 1
Concrete Structures			Cu. Yd. 18.4
Reinforcement Bars, Epoxy Coated			Pound 2570
Structure Excavation			Cu. Yd. 95.0
Concrete Encasement			Cu. Yd. 2.1



FIELD CUTTING DIAGRAM

* Order v2(E) bars full length. Cut to fit and use the remainder of bars in opposite face.



DESIGNED	M.E.B.
CHECKED	R.K.M.
DRAWN	P.W.S.
CHECKED	M.E.B.-R.K.M.

SOUTH ABUTMENT
SOUTHBOUND LANES
EAP-310
SECTION 60-16-1, 42-1
JERSEY COUNTY
STATION 318+48.66
STRUCTURE NO. 042-0026 (S.B.)

HR
 HURST - ROSCHE ENGINEERS, INC.
 601 NORTH BRUNS LANE
 SPRINGFIELD, IL 62702
 (217)-787-1199
 FAX (217)-793-1199