

Notes:

Space reinforcement in cap to miss anchor bolts.  
Four steps monolithically with cap.

If a portion of the pier wall or concrete encasement is under water, reinforcement may be placed underwater into forms. Concrete shall be tremied according to Article 503.08 of the Standard Specifications to an elevation of 1'-0" above the water line at the time of construction

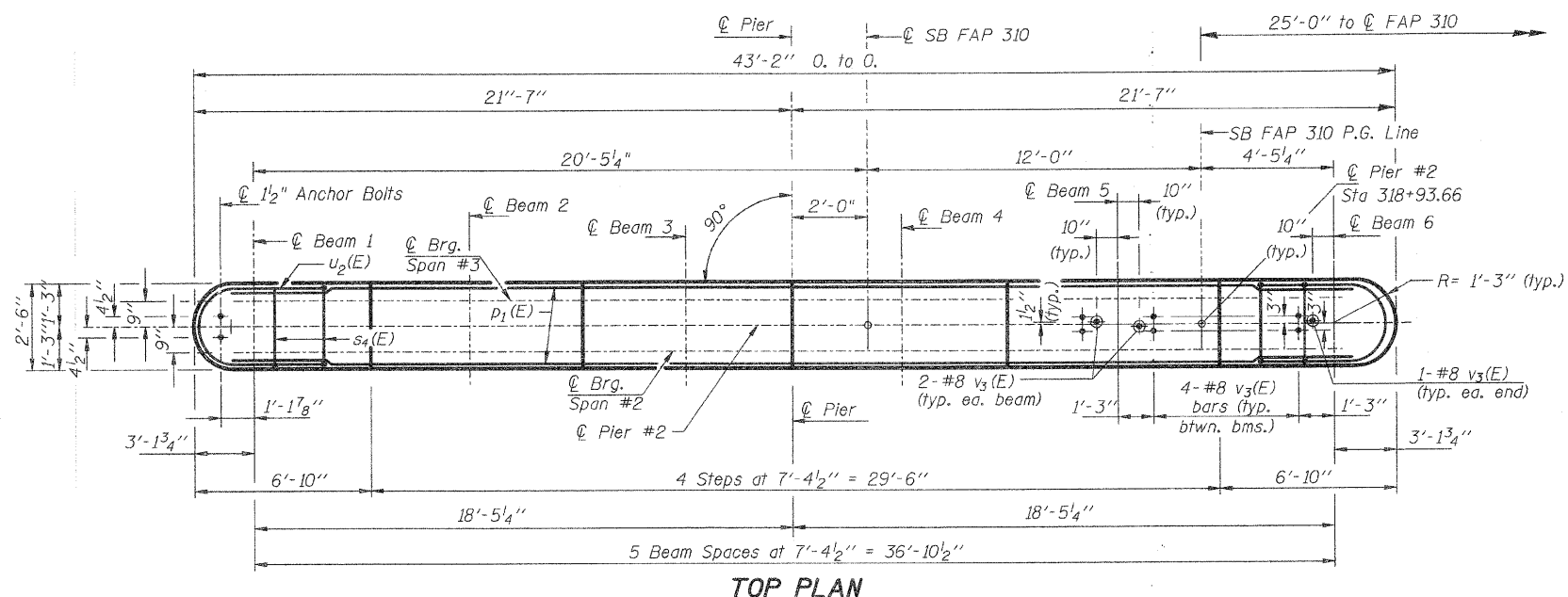
E.F. - Each Face  
E.E. - Each End

**PILE DATA**

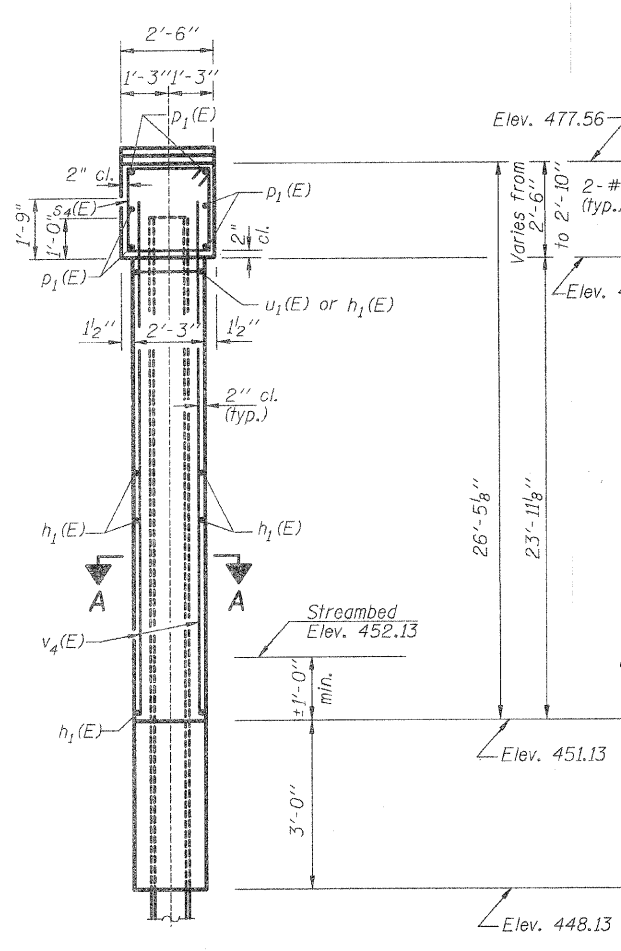
Type: Steel HP 14x89 w/ pile shoes  
Allowable Resistance Available: 235 kips  
Nominal Required Bearing: 705 kips  
Est. Length: 43'  
No. Req'd: 7 plus 1 Test Pile

F.A.P. No.	SECTION	COUNTY	SHEETS	SHEET NO.
310	60-16-1, 42-1	JERSEY	481	199
STA.	TO STA.			
FED. ROAD DIST. NO.	ILLINOIS FED. AID PROJECT			

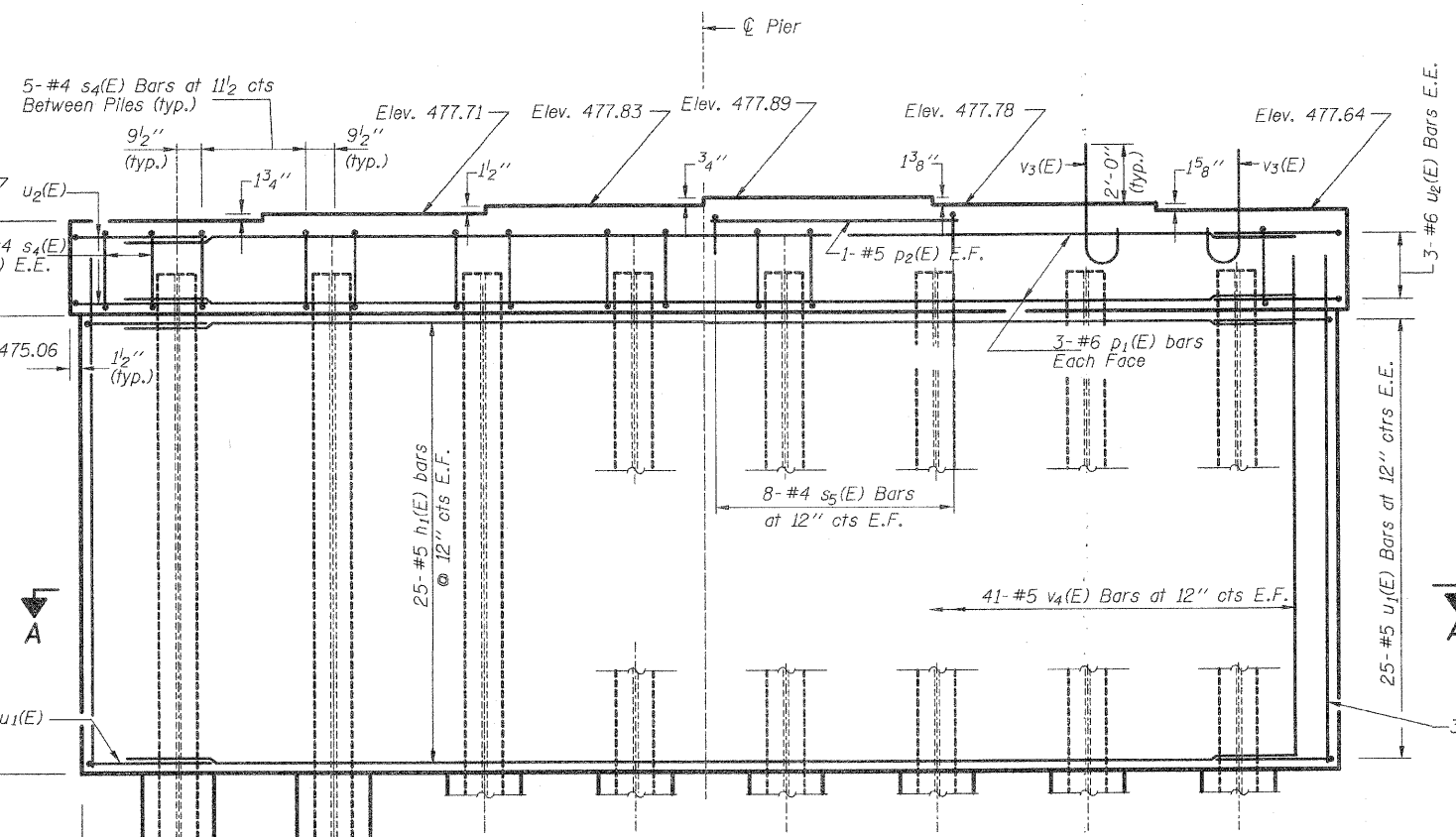
Sheet 15 of 35 Sheets  
**CONTRACT NO. 76318**



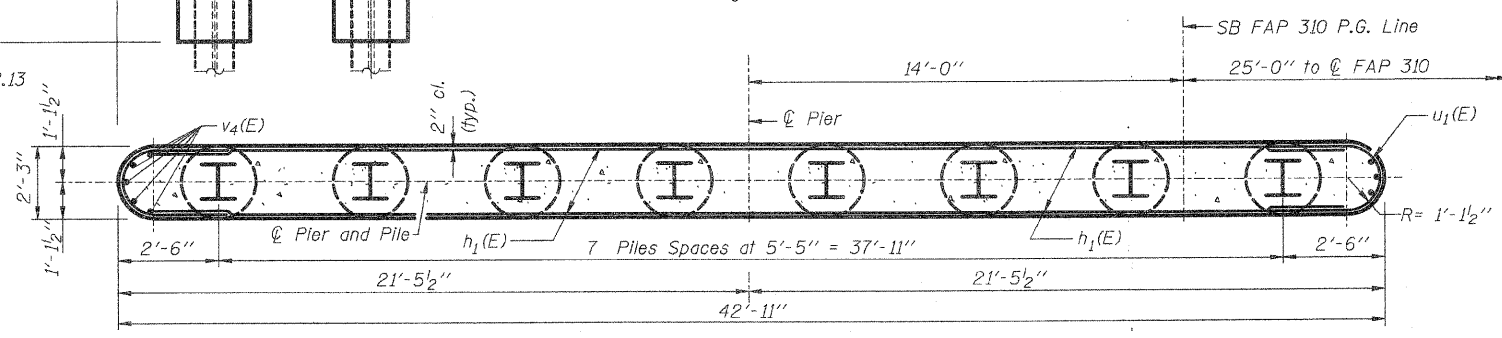
**TOP PLAN**



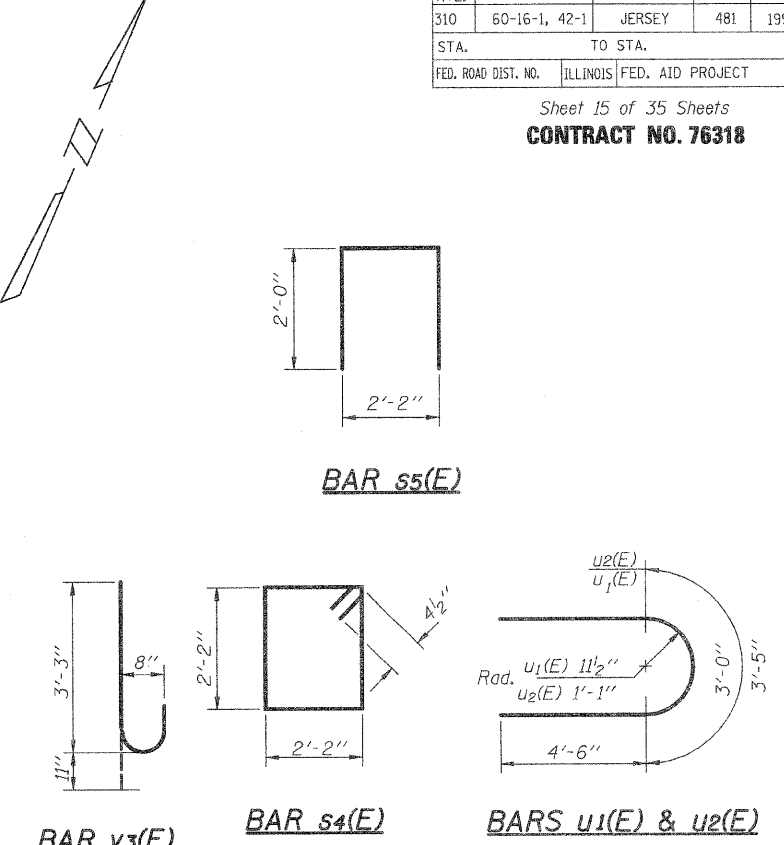
**END VIEW**



**ELEVATION**  
Looking North



**SECTION A-A**



**BILL OF MATERIAL**

Bar	No.	Size	Length	Shape
h <sub>1</sub> (E)	50	#5	40'-8"	—
p <sub>1</sub> (E)	6	#6	40'-8"	—
p <sub>2</sub> (E)	2	#5	7'-0"	—
s <sub>4</sub> (E)	39	#4	9'-5"	□
s <sub>5</sub> (E)	8	#4	6'-2"	□
u <sub>1</sub> (E)	50	#5	12'-0"	U
u <sub>2</sub> (E)	6	#6	12'-5"	U
v <sub>3</sub> (E)	30	#8	4'-2"	J
v <sub>4</sub> (E)	88	#5	25'-7"	—
Concrete Structures			Cu. Yd.	95.2
Reinforcement Bars, Epoxy Coated			Pound	6,200
Furnishing Steel Piles HP14x89			Foot	301
Driving Piles			Foot	301
Pile Shoes			Each	8
Test Pile Steel HP14x89			Each	1
Underwater Struc. Excav. Protection, Loc. No. 2			Each	1
Structure Excavation			Cu. Yd.	118.5
Concrete Encasement			Cu. Yd.	4.4

**PIER # 2**  
**SOUTHBOUND LANES**  
**FAP-310**  
**SECTION 60-16-1, 42-1**  
**JERSEY COUNTY**  
**STATION 318+48.66**  
**STRUCTURE NO. 042-0026 (S.B.)**

DESIGNED	M.E.B.
CHECKED	R.K.M.
DRAWN	P.W.S.
CHECKED	M.E.B.-R.K.M.

**HR**  
HURST-ROSCHE ENGINEERS, INC.  
601 NORTH BRUNS LANE  
SPRINGFIELD, IL 62702  
(217)-787-1199  
FAX (217)-793-1199