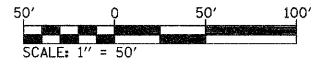


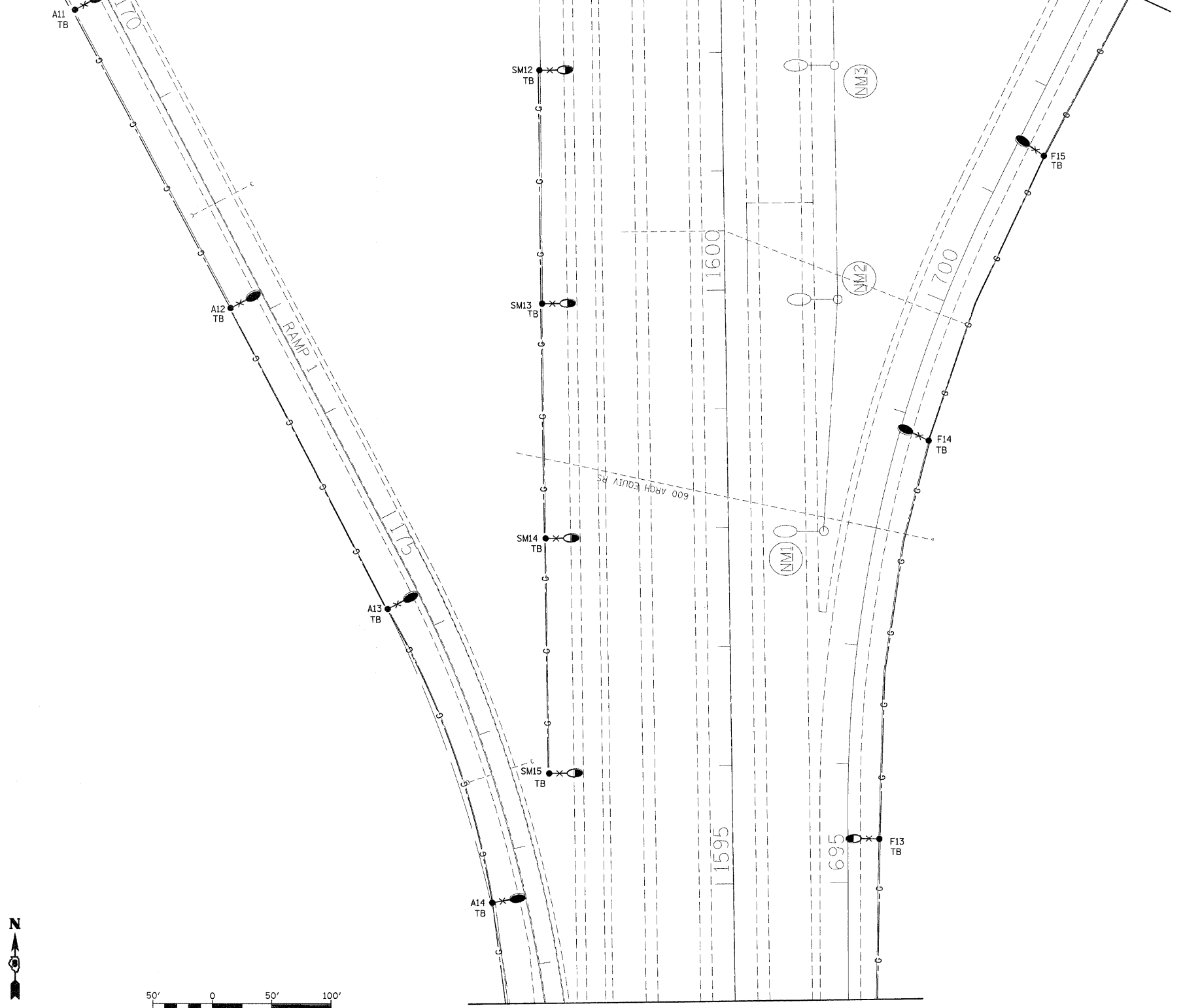
SEE SHT. 3/12
MATCHLINE
STA. 169+50

SEE SHT. 3/12 ← → SEE SHT. 4/12

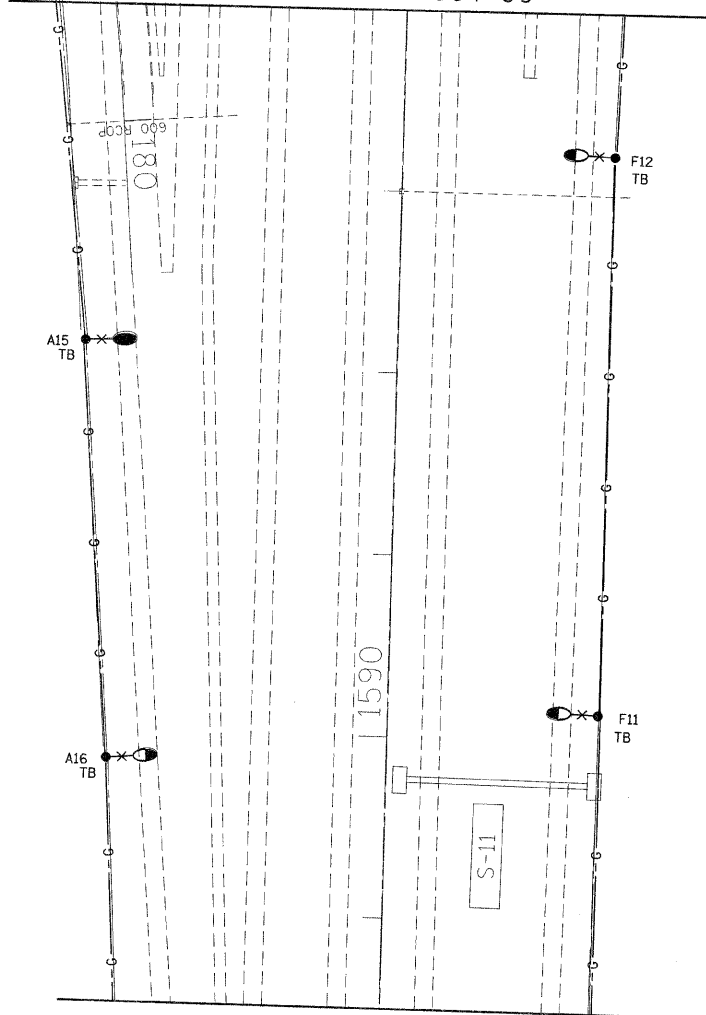
SEE SHT. 4/12
MATCHLINE
STA. 703+00



MATCHLINE STA. 1602+50



MATCHLINE STA. 1594+00



MATCHLINE STA. 1588+50
SEE SHT. 1B/12



FILE NAME =	USER NAME = prestonme	DESIGNED -	REVISED -	STATE OF ILLINOIS DEPARTMENT OF TRANSPORTATION	CONTROLLERS #27 & #28 SHTS. 2A & 2B OF 12	F.A.I. RTE.	SECTION	COUNTY	TOTAL SHEETS	SHEET NO.	
c:\pwork\pwork\prestonme\dms65337\0876009-shr-light.dgn	PLOT SCALE = 50.0000' / IN.	DRAWN -	REVISED -			255	DIST. 8 LIGHT POLE 2009-1		146	127	
	PLOT DATE = 6/8/2010	CHECKED -	REVISED -			CONTRACT NO. 76C09					
		DATE -	REVISED -			FED. ROAD DIST. NO. [ILLINOIS] FED. AID PROJECT					

MADISON, MONROE & ST. CLAIR