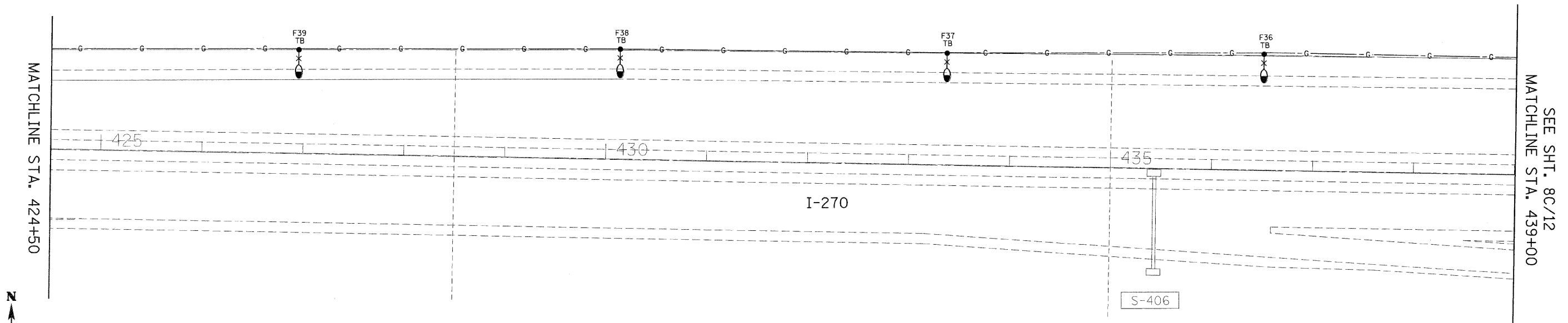
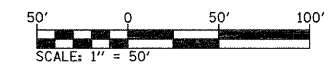
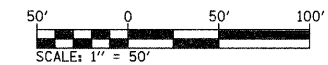


MATCHLINE STA. 424+50



MATCHLINE STA. 424+50

SEE SHT. 8C/12
MATCHLINE STA. 439+00



FILE NAME = c:\pwwork\pwwork\prestonme\dms65337\d676c09-shr-light.dgn	USER NAME = prestonme	DESIGNED -	REVISED -	STATE OF ILLINOIS DEPARTMENT OF TRANSPORTATION	CONTROLLERS #27 & #28 SHTS. 7A & 7B OF 12	F.A.I. RTE. 255 DIST. 8 LIGHT_POLE_2009-1	SECTION	COUNTY	TOTAL SHEETS 146	SHEET NO. 132
PLT1 SCALE = 50,0000' / IN.	CHECKED -	REVISED -	FED. ROAD DIST. NO. -			ILLINOIS FED. AID PROJECT	CONTRACT NO. 76C09			
PLT DATE = 6/8/2010	DATE -	REVISED -	SCALE: _____ SHEET NO. ___ OF ___ SHEETS STA. _____ TO STA. _____			MADISON, MONROE & ST. CLAIR				