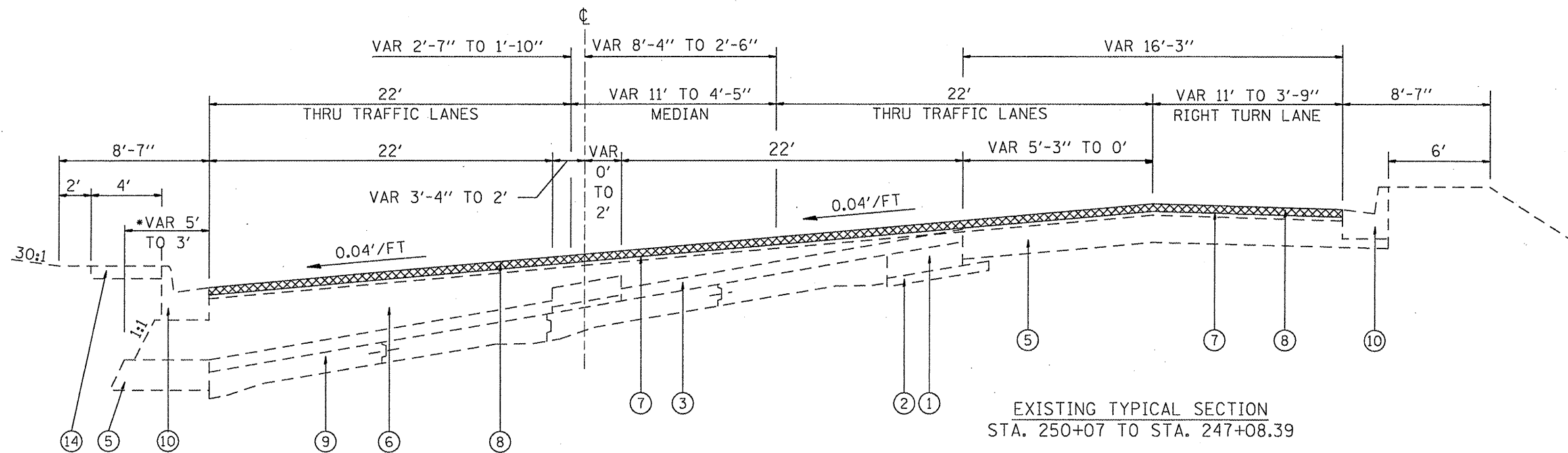


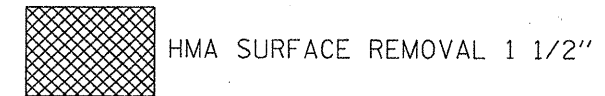
EXISTING TYPICAL SECTION
STA. 251+35 TO STA. 250+07



EXISTING TYPICAL SECTION
STA. 250+07 TO STA. 247+08.39

LEGEND

- | | |
|--|--|
| ① EXISTING P.C.C. BASE COURSE, 10" | ⑩ EXISTING COMBINATION CONC. C&G, TYPE B-9.24 |
| ② EXISTING SUB-BASE, 4" | ⑪ EXISTING COMBINATION CONC. C&G, TYPE M-6.06 |
| ③ EXISTING BITUMINOUS OVERLAY | ⑫ EXISTING COMBINATION CONC. C&G, TYPE B-6.24 |
| ④ EXISTING CONCRETE MEDIAN | ⑬ EXISTING SANDFILL |
| ⑤ EXISTING BASE COURSE, 11 1/2" | ⑭ EXISTING P.C.C. SIDEWALK, 4" |
| ⑥ EXISTING BIT. CONC. SUR. CRSE., TYPE 2 (VARIES 1" TO 2'-1") | ⑮ EXISTING BIT. CONCRETE BINDER COURSE, 1 1/2" |
| ⑦ EXISTING LEVEL. BIND. (MM) MIX C, TYPE 2, 3/4" AND VAR. | ⑯ EXISTING STABILIZED SHOULDER, 8" |
| ⑧ EXISTING BIT. CONC. SUR. CRSE., MIX D, CLASS I, TYPE 2, 1 1/2" | ⑰ EXISTING STABILIZED BASE COURSE, 8" |
| ⑨ EXISTING CONC. PAVEMENT (10-10-8-10-10) | ⑱ EXISTING SUB BASE GRANULAR MATERIAL, TYPE C |



FILE NAME =	USER NAME = #USER#	DESIGNED -	REVISED -	STATE OF ILLINOIS DEPARTMENT OF TRANSPORTATION	EXISTING TYPICAL SECTION	F.A.U. RTE.	SECTION	COUNTY	TOTAL SHEETS	SHEET NO.	
#FILE#		DRAWN -	REVISED -			9257	(28-1-122-1)RS-1	SI-CLAIR	43	10	
PLOT SCALE = #SCALE#		CHECKED -	REVISED -			SCALE: _____ SHEET NO. _____ OF _____ SHEETS STA. _____ TO STA. _____		CONTRACT NO. 76058			
PLOT DATE = #DATE#		DATE -	REVISED -			FED. ROAD DIST. NO. _____ ILLINOIS FED. AID PROJECT					