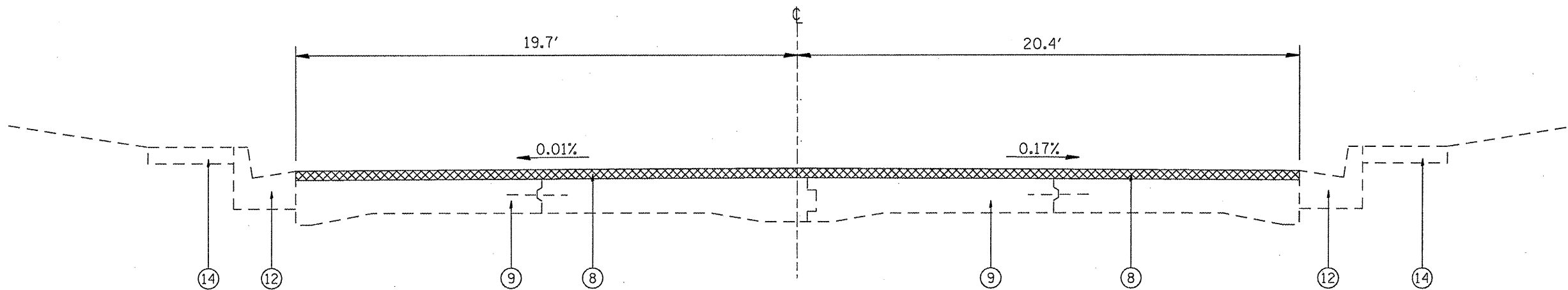


EXISTING TYPICAL SECTION
STA. 247+08.39 TO STA. 239+50



EXISTING TYPICAL SECTION
STA. 239+50 TO STA. 237+50
(END OF HMA PAVEMENT)

LEGEND

- ① EXISTING P.C.C. BASE COURSE, 10"
- ② EXISTING SUB-BASE, 4"
- ③ EXISTING BITUMINOUS OVERLAY
- ④ EXISTING CONCRETE MEDIAN
- ⑤ EXISTING BASE COURSE, 11 1/2"
- ⑥ EXISTING BIT. CONC. SUR. CRSE., TYPE 2 (VARIES 1" TO 2'-1")
- ⑦ EXISTING LEVEL. BIND. (MM) MIX C, TYPE 2, 3/4" AND VAR.
- ⑧ EXISTING BIT. CONC. SUR. CRSE., MIX D, CLASS I, TYPE 2, 1 1/2"
- ⑨ EXISTING CONC. PAVEMENT (10-10-8-10-10)
- ⑩ EXISTING COMBINATION CONC. C&G, TYPE B-9.24
- ⑪ EXISTING COMBINATION CONC. C&G, TYPE M-6.06
- ⑫ EXISTING COMBINATION CONC. C&G, TYPE B-6.24
- ⑬ EXISTING SANDFILL
- ⑭ EXISTING P.C.C. SIDEWALK, 4"
- ⑮ EXISTING BIT. CONCRETE BINDER COURSE, 1 1/2"
- ⑯ EXISTING STABILIZED SHOULDER, 8"
- ⑰ EXISTING STABILIZED BASE COURSE, 6"
- ⑱ EXISTING SUB BASE GRANDULAR MATERIAL, TYPE C



FILE NAME =	USER NAME = #USER#	DESIGNED - ---	REVISED - ---	STATE OF ILLINOIS DEPARTMENT OF TRANSPORTATION	EXISTING TYPICAL SECTION	F.A.W. RTE.	SECTION	COUNTY	TOTAL SHEETS	SHEET NO.
#FILE#		DRAWN - ---	REVISED - ---			9297	(28-1, 122-1)BS-1	ST. CLAIR	43	11
		CHECKED - ---	REVISED - ---			SCALE: _____ SHEET NO. ___ OF ___ SHEETS STA. _____ TO STA. _____		CONTRACT NO. 76D58		
		DATE - -----	REVISED - ---			FED. ROAD DIST. NO. [ILLINOIS] FED. AID PROJECT				