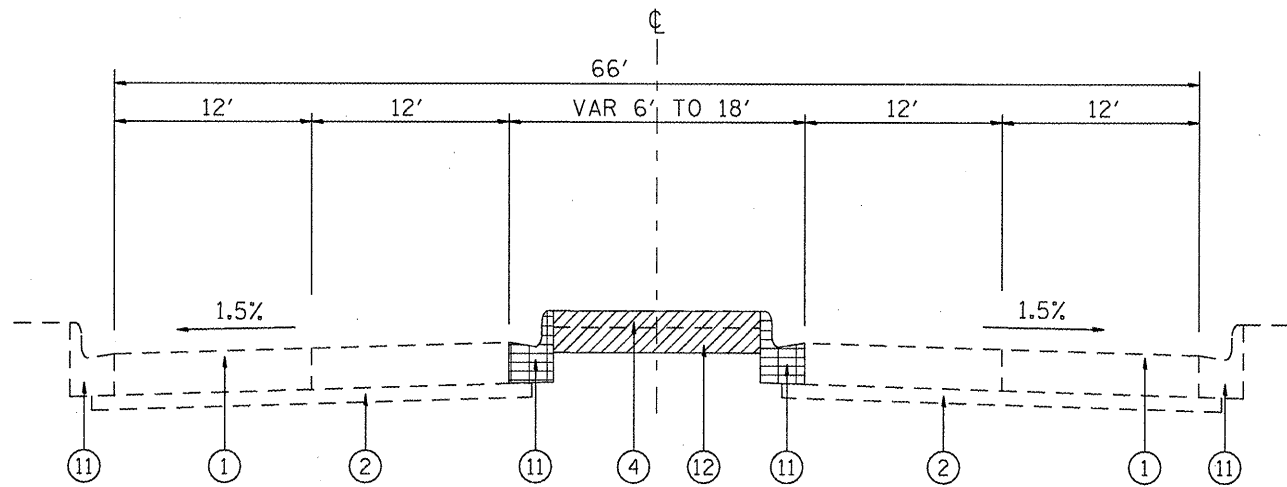


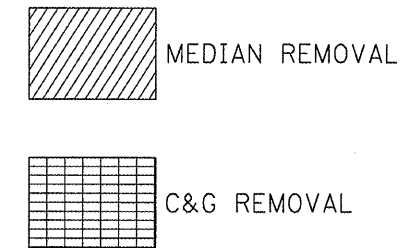
EXISTING TYPICAL SECTION
 STA. 237+50 TO STA. 236+66.63
 STA. 122+00 TO STA. 139+36
 STA. 166+57 TO STA. 174+57

**VAR. 1/8 " TO 1/4 "/FT.

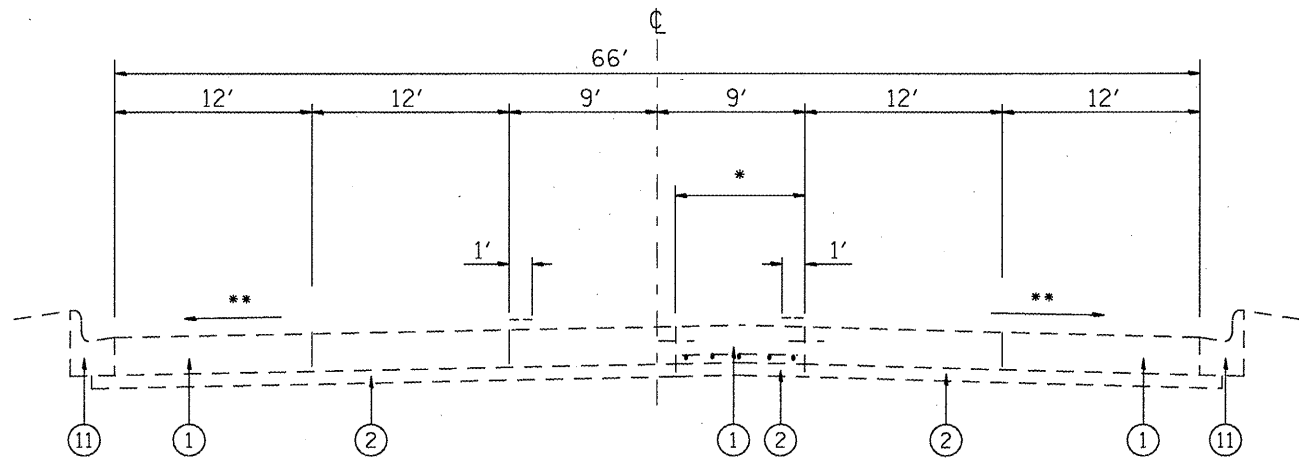


EXISTING TYPICAL SECTION

- STA. 139+36 TO STA. 151+90
- STA. 164+39 TO STA. 166+57
- STA. 174+57 TO STA. 179+77
- STA. 197+95 TO STA. 202+19
- STA. 215+35 TO STA. 219+24
- STA. 229+00 TO STA. 231+67
- STA. 241+48 TO STA. 246+04
- (STA. 252+73 TO STA. 256+28)



(NOTE: CORRUGATED MEDIAN FROM STA. 252+62 TO STA. 256+00 IS TO BE MILLED DOWN TO EXISTING P.C.C. PAVEMENT AND NOT REMOVED.)



EXISTING TYPICAL SECTION
 STA. 151+90 TO STA. 164+39
 STA. 179+77 TO STA. 197+95
 STA. 202+19 TO STA. 215+35
 STA. 219+24 TO STA. 229+00
 STA. 231+67 TO STA. 241+48
 STA. 246+04 TO STA. 252+73

* VAR. 6'-0" TO 18'-0"
 **VAR. 1/8 " TO 1/4 "/FT.

- ① EXISTING P.C.C. BASE COURSE, 10"
- ② EXISTING SUB-BASE, 4"
- ③ EXISTING BITUMINOUS OVERLAY
- ④ EXISTING CONCRETE MEDIAN
- ⑤ EXISTING BASE COURSE, 11 1/2"
- ⑥ EXISTING BIT. CONC. SUR. CRSE., TYPE 2 (VARIES 1" TO 2'-1")
- ⑦ EXISTING LEVEL. BIND. (MM) MIX C, TYPE 2, 3/4" AND VAR.
- ⑧ EXISTING BIT. CONC. SUR. CRSE., MIX D, CLASS I, TYPE 2, 1 1/2"
- ⑨ EXISTING CONC. PAVEMENT (10-10-8-10-10)
- ⑩ EXISTING COMBINATION CONC. C&G, TYPE B-9.24
- ⑪ EXISTING COMBINATION CONC. C&G, TYPE M-6.06
- ⑫ EXISTING COMBINATION CONC. C&G, TYPE B-6.24
- ⑬ EXISTING SANDFILL
- ⑭ EXISTING P.C.C. SIDEWALK, 4"
- ⑮ EXISTING BIT. CONCRETE BINDER COURSE, 1 1/2"
- ⑯ EXISTING STABILIZED SHOULDER, 8"
- ⑰ EXISTING STABILIZED BASE COURSE, 6"
- ⑱ EXISTING SUB BASE GRANDULAR MATERIAL, TYPE C

LEGEND

FILE NAME =	USER NAME = *USER*	DESIGNED -	REVISED -	STATE OF ILLINOIS DEPARTMENT OF TRANSPORTATION	EXISTING TYPICAL SECTION	F.A.W. RTE.	SECTION	COUNTY	TOTAL SHEETS	SHEET NO.	
FILEL		DRAWN -	REVISED -			9257	128-1-122-1185-1	ST. CLAIR	43	12	
		CHECKED -	REVISED -			CONTRACT NO. 76058					
		DATE -	REVISED -			ILLINOIS FED. AID PROJECT					