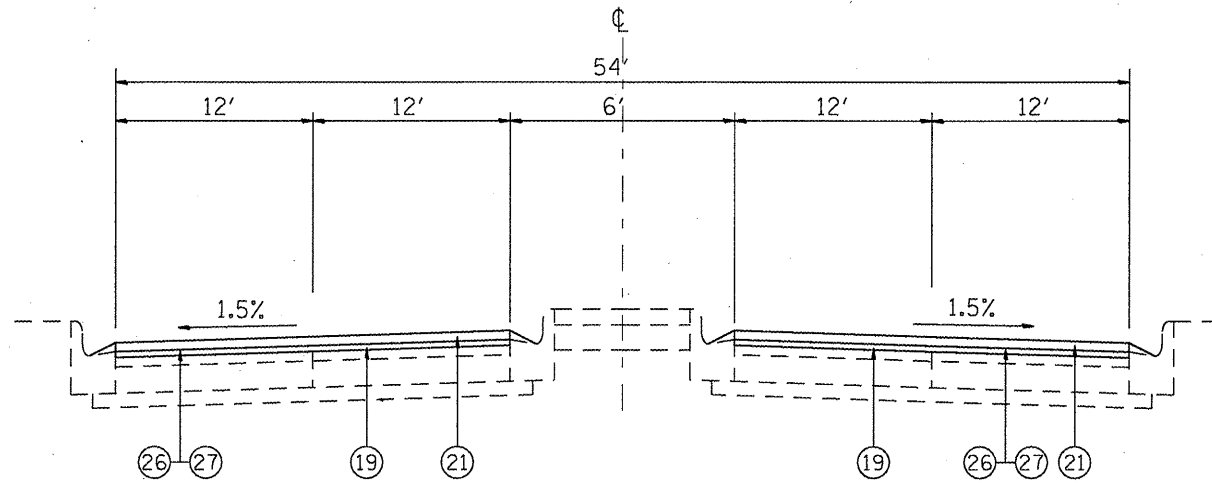
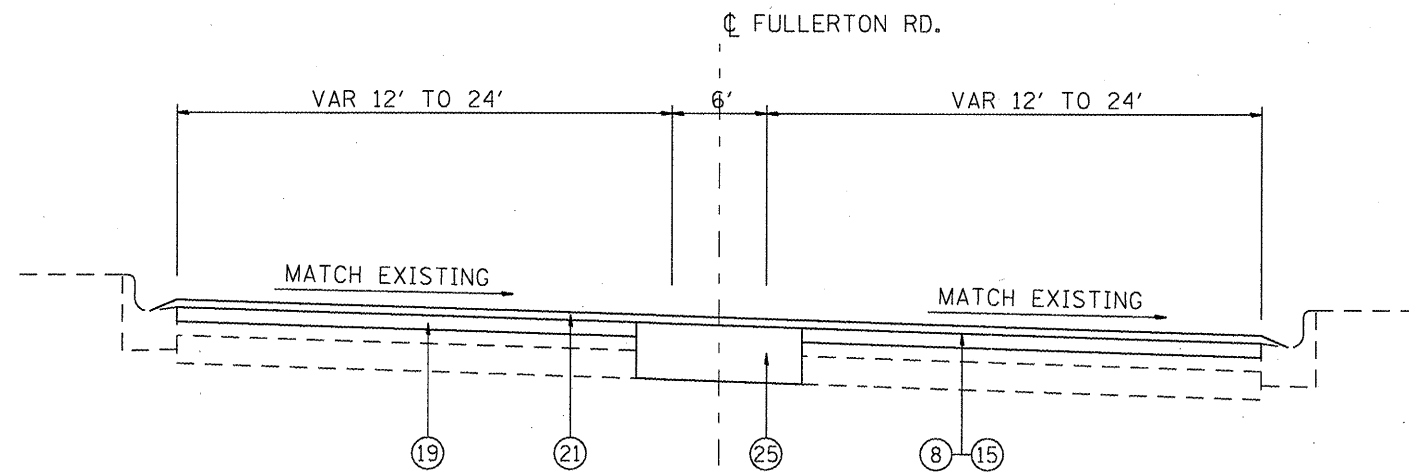


PROPOSED TYPICAL SECTION
 STA. 202+19 TO STA. 215+35
 STA. 219+24 TO STA. 229+00
 STA. 231+67 TO STA. 241+48
 STA. 246+04 TO STA. 252+73



PROPOSED TYPICAL SECTION
 STA. 256+28 TO STA. 258+75
 (IL 161 OMISSION
 STA. 258+75 TO STA. 259+74)



PROPOSED TYPICAL SECTION
 STA. 259+74 TO STA. 261+46

- ⑲ PROPOSED LEVELING BINDER 3/4"
- ⑳ PROPOSED LEVELING BINDER 1"
- ㉑ PROPOSED POLY-HMA SURFACE COURSE, MIX D, 1 1/2"
- ㉒ PROPOSED CLASS "C", PATCHING 10"
- ㉓ PROPOSED SUB-BASE GRANULAR MATERIAL, TYPE A., 4"
- ㉔ PROPOSED 3/4" TIE BARS @ 2'-6" CTRS
- ㉕ PROPOSED HMA BASE COURSE 9"
- ㉖ PROPOSED BITUMINOUS MATERIAL (PRIME COAT)
- ㉗ PROPOSED AGGREGATE (PRIME COAT)
- ㉘ PROPOSED PAVEMENT MARKINGS
- ㉙ PROPOSED PAVEMENT FABRIC

FILE NAME =	USER NAME = #USER#	DESIGNED -	REVISD -
#FILE#		DRAWN -	REVISD -
	PLOT SCALE = #SCALE#	CHECKED -	REVISD -
	PLOT DATE = #DATE#	DATE -	REVISD -

STATE OF ILLINOIS
 DEPARTMENT OF TRANSPORTATION

PROPOSED TYPICAL SECTION	
SCALE: _____	SHEET NO. ___ OF ___ SHEETS STA. _____ TO STA. _____

F.A.U. RTE.	SECTION	COUNTY	TOTAL SHEETS	SHEET NO.
9257	(28-1.122-185-1	ST. CLAIR	43	17
FED. ROAD DIST. NO. _____ ILLINOIS FED. AID PROJECT			CONTRACT NO. 76058	