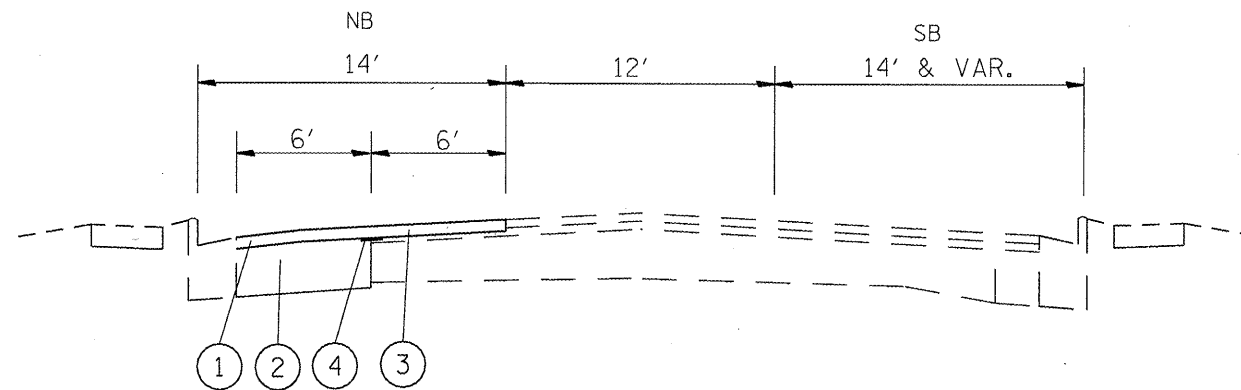
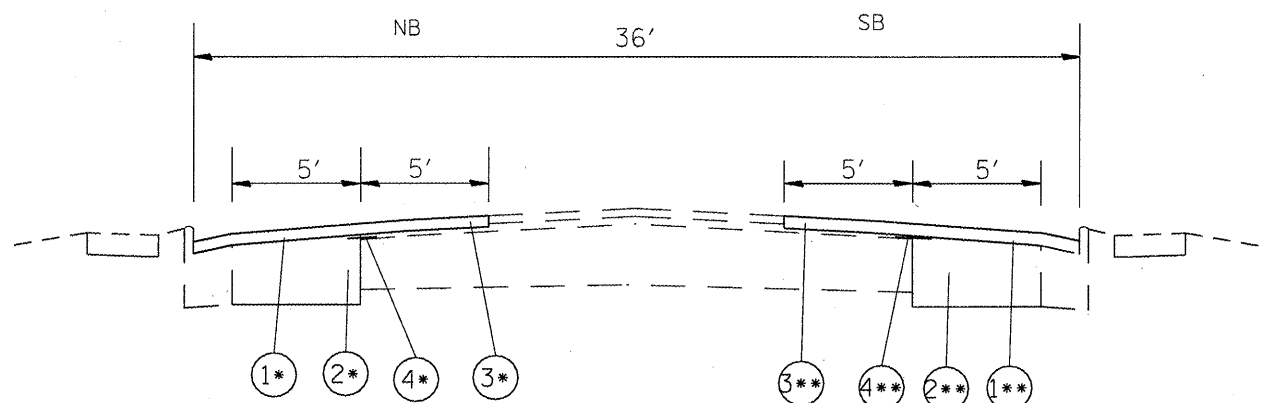


PROPOSED TYPICAL SECTION
STA. 364+10 TO STA. 387+50



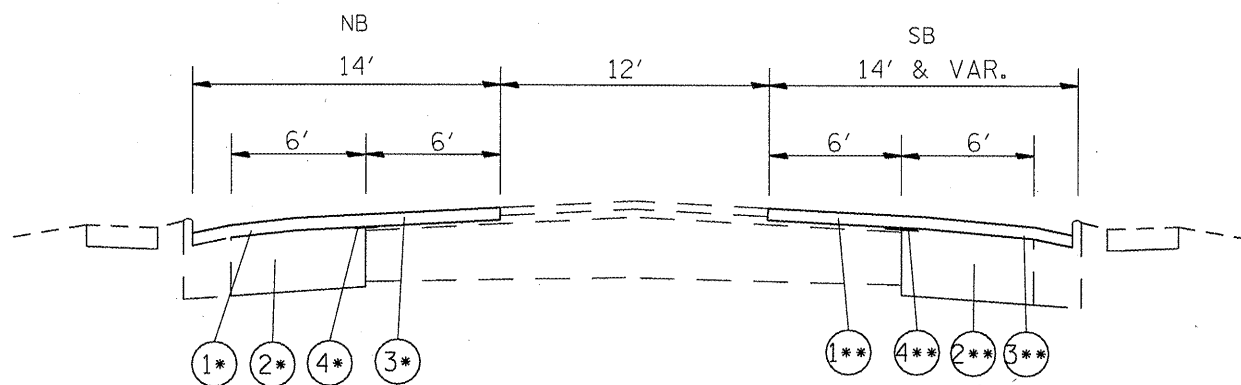
PROPOSED TYPICAL SECTION
STA. 387+50 TO STA. 390+30



PROPOSED TYPICAL SECTION
STA. 395+40 TO STA. 402+59

*STA. 397+90 TO 398+90
STA. 401+18 TO 402+59

**STA. 395+40 TO 397+50
STA. 401+61 TO 402+59



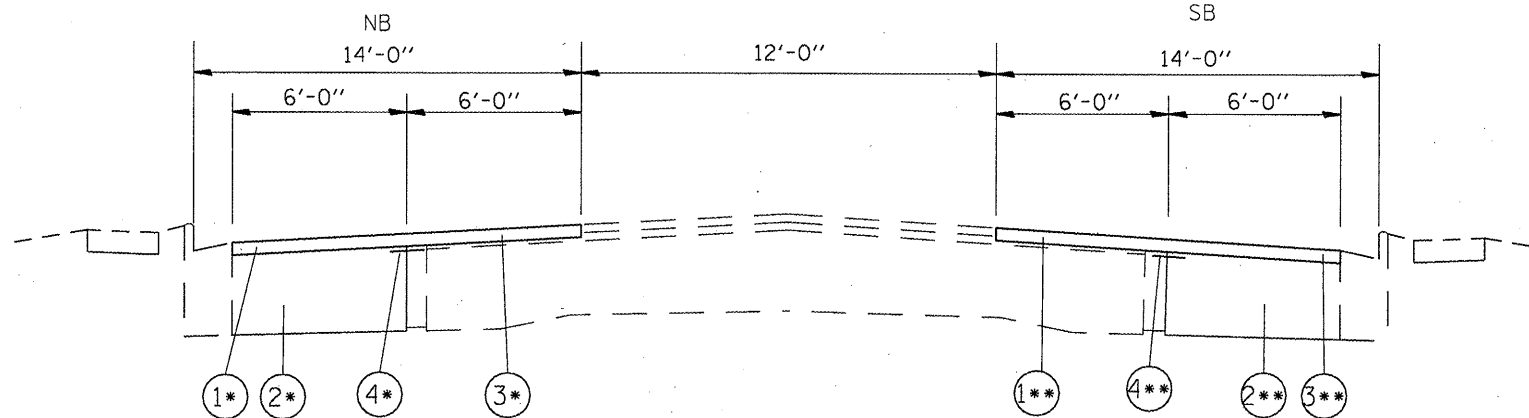
*STA. 393+00 TO 395+30

**STA. 395+25 TO 395+40

PROPOSED TYPICAL SECTION
STA. 390+30 TO STA. 395+40

LEGEND

- ① PROPOSED HMA SURFACE REMOVAL, 2"
- ② PROPOSED CLASS "C" PATCH, 11"
- ③ PROPOSED HMA SURFACE COURSE, MIX "D", N90, 2"
- ④ PROPOSED STRIP REFLECTIVE CRACK CONTROL



*STA. 402+59 TO 402+93

**STA. 402+59 TO 403+36

PROPOSED TYPICAL SECTION
STA. 402+59 TO 403+36

FILE NAME =	USER NAME = #USER#	DESIGNED -	REVISOR -
#FILE#		DRAWN -	REVISOR -
	PLOT SCALE = #SCALE#	CHECKED -	REVISOR -
	PLOT DATE = #DATE#	DATE -	REVISOR -

STATE OF ILLINOIS
DEPARTMENT OF TRANSPORTATION

PROPOSED TYPICAL SECTIONS		F.A.P. RTE.	SECTION	COUNTY	TOTAL SHEETS	SHEET NO.
SCALE: _____	SHEET NO. ___ OF ___ SHEETS	103	271-4	ST. CLAIR	24	6
STA. _____ TO STA. _____		FED. ROAD DIST. NO. _____ ILLINOIS FED. AID PROJECT				
		CONTRACT NO. 76D97				