

**SUPERSTRUCTURE  
BILL OF MATERIAL**

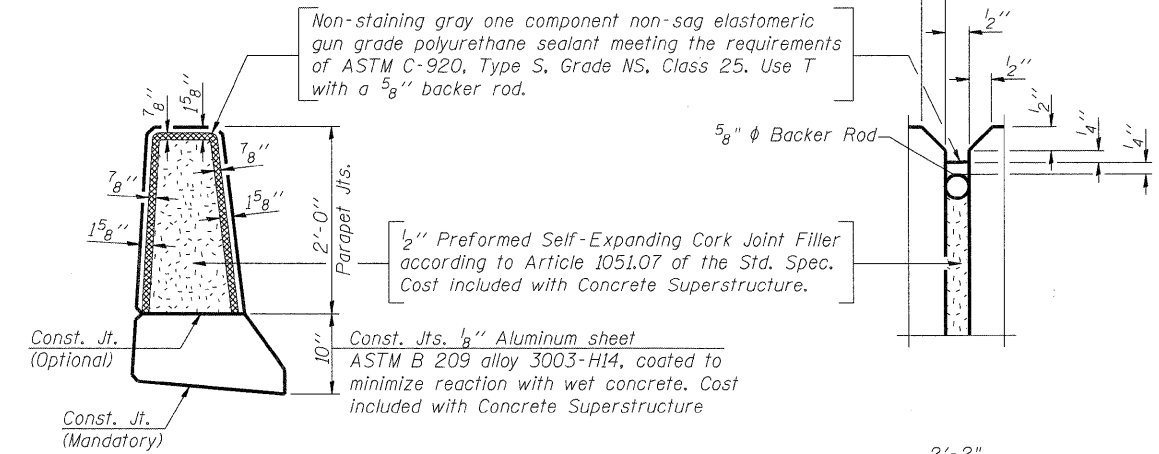
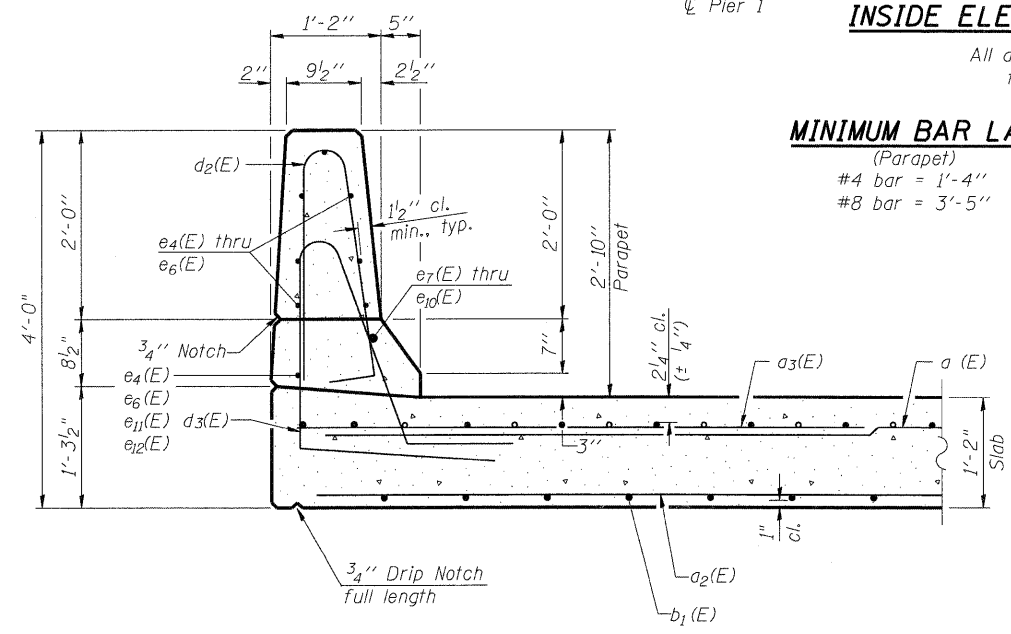
Bar	No.	Size	Length	Shape
a(E)	168	#7	24'-2"	—
a1(E)	84	#5	28'-0"	—
a2(E)	84	#5	18'-1"	—
a3(E)	84	#6	6'-0"	—
b(E)	82	#8	12'-0"	—
b1(E)	82	#8	23'-4"	—
b2(E)	82	#8	17'-1"	—
b3(E)	41	#8	14'-8"	—
b4(E)	41	#7	18'-2"	—
b5(E)	41	#7	31'-0"	—
b6(E)	82	#7	25'-2"	—
b7(E)	82	#7	18'-9"	—
b8(E)	21	#5	26'-0"	—
c(E)	75	#5	2'-5"	└
c1(E)	75	#5	5'-8"	—
d(E)	75	#4	4'-10"	L
d1(E)	75	#6	4'-0"	L
d2(E)	84	#5	5'-7"	└
d3(E)	84	#5	7'-10"	└
d4(E)	14	#4	2'-0"	└
e(E)	12	#4	19'-8"	—
e1(E)	6	#4	12'-1"	—
e2(E)	6	#4	7'-11"	—
e3(E)	6	#4	12'-9"	—
e4(E)	15	#4	11'-1"	—
e5(E)	14	#4	14'-0"	—
e6(E)	15	#4	11'-8"	—
e7(E)	1	#8	11'-1"	—
e8(E)	1	#8	25'-6"	—
e9(E)	1	#8	26'-1"	—
e10(E)	1	#8	11'-8"	—
e11(E)	1	#4	25'-6"	—
e12(E)	1	#4	26'-1"	—
f(E)	12	#7	23'-4"	—
u(E)	8	#5	6'-1"	└
u1(E)	8	#5	6'-7"	└
Reinforcement Bars, Epoxy Coated	Pound		42,350	
Concrete Superstructure	Cu. Yds.		160.4	

**INSIDE ELEVATION OF EAST PARAPET**

All dimensions measured along front face of parapet

**MINIMUM BAR LAP**

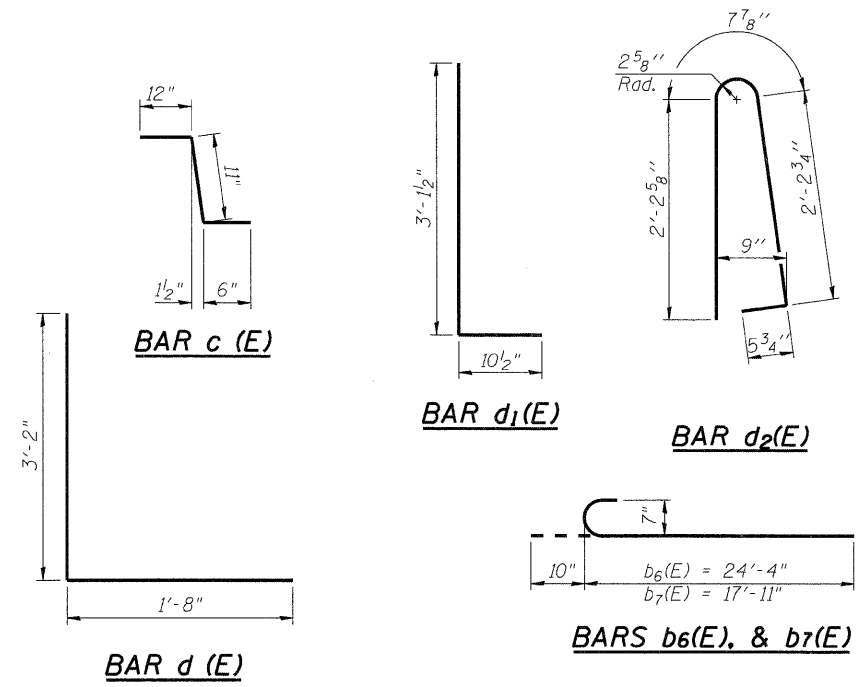
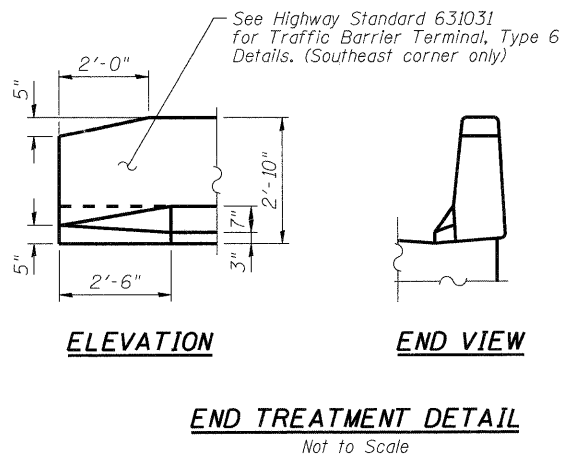
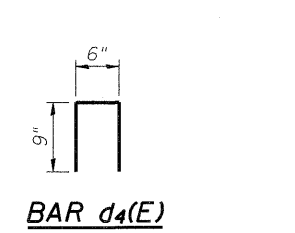
(Parapet)  
#4 bar = 1'-4"  
#8 bar = 3'-5"



**SECTION THRU PARAPET**

**PARAPET JOINT DETAILS**

**BARS u(E), & u1(E)**



**SUPERSTRUCTURE DETAILS**  
CENTRAL AVENUE (FAU ROUTE 5102)  
OVER KENT CREEK  
SECTION NO. 09-00557-00-BR  
CITY OF ROCKFORD  
WINNEBAGO COUNTY  
STRUCTURE NO. 101-6124

DESIGNED	KMA
CHECKED	RGD
DRAWN	WJH
CHECKED	RGD

FILE NAME: 090026-sup04.dgn  
PLOT DRIVER: pd7.plt  
PEN TABLE: standard-trans.tbl 1/26/2010

**SEC GROUP, INC.**  
An HR Green Company  
420 N. Front Street, McHenry, IL 60050  
1.815.385.1778 1.815.385.1761  
www.secgroupinc.com  
McHenry, IL • Yorkville, IL • New Lenox, IL • Chicago, IL

SHEET NO. <b>S-7</b>	F.A.U. RTE.	SECTION	COUNTY	TOTAL SHEETS	SHEET NO.
	5102	09-00557-00-BR	WINNEAGO	18	14
S-9 SHEETS			CONTRACT NO. 85508		
FED. ROAD DIST. NO. 2		ILLINOIS	FED. AID PROJECT	BHM 5099 (C81)	

DATE: 1/26/10