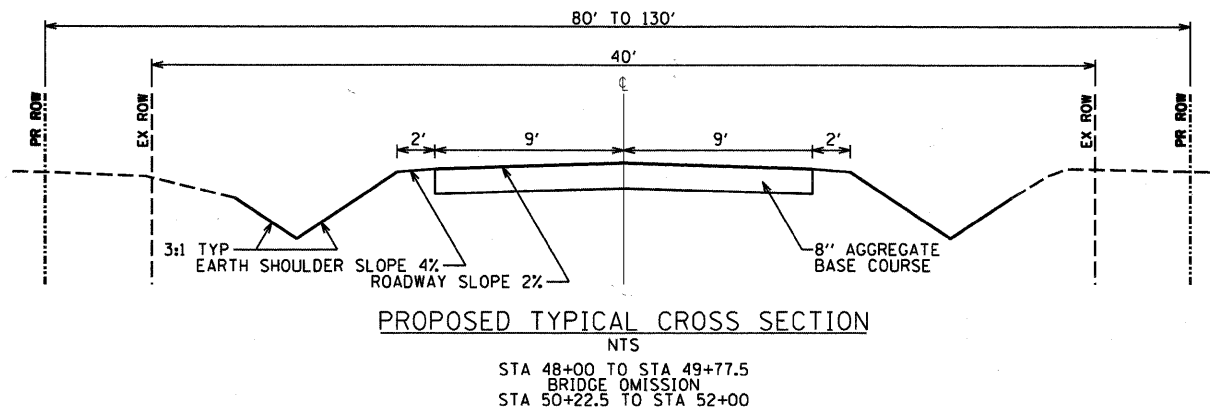
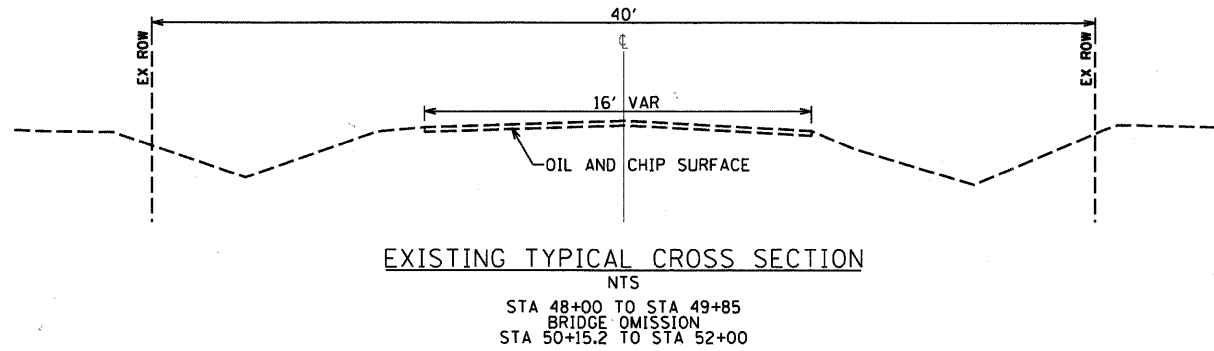


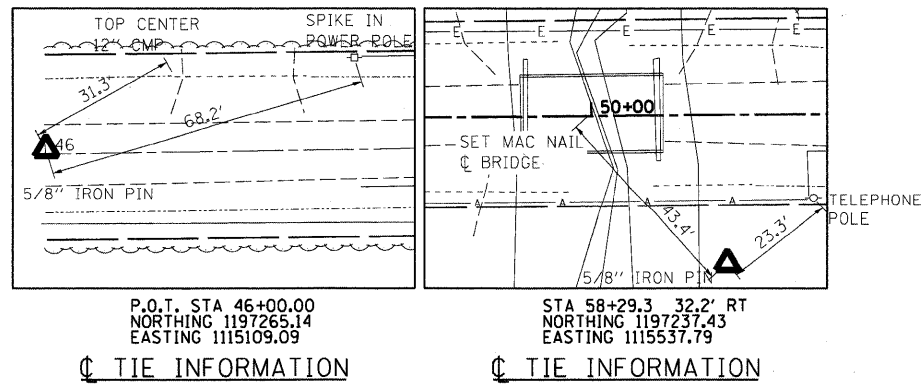
# GENERAL NOTES

- ALL CONSTRUCTION SHALL BE DONE IN ACCORDANCE WITH THE STATE OF ILLINOIS "STANDARD SPECIFICATIONS FOR ROAD AND BRIDGE CONSTRUCTION, ADOPTED JANUARY 1, 2007," THESE PLANS AND THE SPECIAL PROVISIONS INCLUDED IN THE CONTRACT DOCUMENTS.
- THE REVISION NUMBER INDICATED FOR THE STANDARDS LISTED IN THE INDEX OF SHEETS SHALL BE USED IN CONSTRUCTION OF THIS SECTION.
- THE FOLLOWING RATES OF APPLICATION HAVE BEEN USED IN CALCULATING PLAN QUANTITIES...  
AGGREGATE SURFACE COURSE, TYPE B - 1.8 TON/CU YD
- THE AREA TO BE SEEDED SHALL CONSIST OF ALL EARTH SURFACES DISTURBED DURING CONSTRUCTION AS DIRECTED BY THE ENGINEER.
- THE LOCATIONS OF EXISTING UTILITIES AS SHOWN ON THE PLANS ARE BASED ON CAREFUL FIELD INVESTIGATION AND THE BEST INFORMATION AVAILABLE, BUT ARE NOT GUARANTEED. IT SHALL BE THE RESPONSIBILITY OF THE CONTRACTOR TO DETERMINE THEIR EXACT LOCATIONS FROM THE UTILITY COMPANIES AND BY FIELD INSPECTION. THE CONTRACTOR IS REQUIRED TO CONTACT J.U.L.I.E AT, 1-800-892-0123, PRIOR TO PROCEEDING WITH ANY EXCAVATION AND WORK ON THE PROJECT.
- THE PIPE CULVERTS SPECIFIED IN THIS CONTRACT SHALL BE ALUMINIZED STEEL.

# TYPICALS



# CENTERLINE TIE INFORMATION

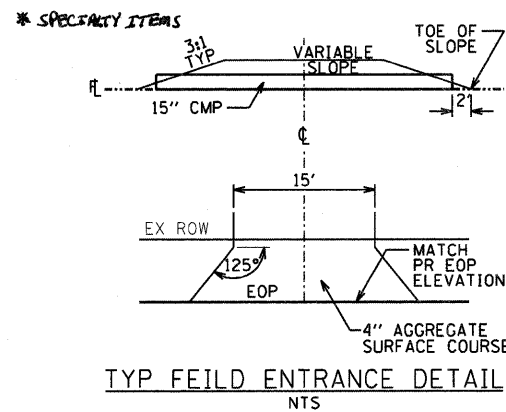


# SUMMARY OF QUANTITIES

PAY CODE	ITEM	UNITS	QUANTITY
20200100	EARTH EXCAVATION	CU YD	71
20300100	CHANNEL EXCAVATION	CU YD	60
20400800	FURNISHED EXCAVATION	CU YD	276
25001000	SEEDING, CLASS 2 (SPECIAL)	ACRE	0.50
28000250	TEMPORARY EROSION CONTROL SEEDING	1b5 300	
28000305	TEMPORARY DITCH CHECKS	FOOT	72
28000400	PERIMETER EROSION BARRIER	FOOT	718
28000500	INLET AND PIPE PROTECTION	EACH	3
28100108	STONE RIPRAP, CLASS A4 (SPECIAL)	SQ YD	273
40200800	AGGREGATE SURFACE COURSE, TYPE B	TON	283
50100100	REMOVAL OF EXISTING STRUCTURES	EACH	1
50105220	PIPE CULVERT REMOVAL	FOOT	140
50200100	STRUCTURE EXCAVATION	CU YD	77.7
50300225	CONCRETE STRUCTURES	CU YD	18.3
50400405	PRECAST PRESTRESSED CONCRETE DECK BEAMS (21" DEPTH)	SQ FT	1173
50800205	REINFORCEMENT BARS, EPOXY COATED	POUND	2440
50900205	STEEL RAILING, TYPE S1	FOOT	87
51201400	FURNISHING STEEL PILES HP10X42	FOOT	460
51202305	DRIVING PILES	FOOT	460
51203400	TEST PILE STEEL HP10X42	EACH	2
51204650	PILE SHOES	EACH	10
51500100	NAME PLATES	EACH	1
542D0220	PIPE CULVERTS, CLASS D, TYPE 1 15"	FOOT	84
59300100	CONTROLLED LOW-STRENGTH MATERIAL	CU YD	40.9
67100100	MOBILIZATION	L SUM	1
70101700	TRAFFIC CONTROL AND PROTECTION	L SUM	1
X0004566	CONCRETE CUT-OFF WALL	CU YD	5.2
Z0013798	CONSTRUCTION LAYOUT	L SUM	1

# EARTHWORK SCHEDULE

STATION	FILL SQ. FT.	FILL CU YD.	CUT SQ. FT.	CUT CU YD.	TOTAL CU YD.
48+00	4.1		1.8		
48+25	6.3		2.1		
48+50	7.5		5.6		
48+75	8.6		13.2		
49+00	4.7		43.4		
49+25	12.8		52.6		
49+50	12.8		77.0		
49+77.5	0.0		117.6		
BRIDGE OMISSION					
50+22.5	9.6		52.1		
50+50	6.3		45.0		
50+75	0.9		42.1		
51+00	1.7		24.7		
51+25	1.1		13.3		
51+50	2.2		6.4		
51+75	2.2		1.9		
52+00	1.8		0.9		
TOTAL CUT EARTH EXCAVATION 71.4 CU YD					
TOTAL FILL EMBANKMENT 329.5 CU YD					
TOTAL EARTHWORK 400.9 CU YD					
FURNISHED EXCAVATION =			276.0 CU YD		



PRINTED DATE: 2/23/2010  
 FILE NAME: N:\Projects\Vermillion, County of VTR\_413.dwg  
 User: FreeDeel1  
 Project: Vermillion, County of VTR\_413.dwg  
 Sheet: 02 of 02

USER NAME = #USER#	DESIGNED - JEH	REVISED -
PLOT SCALE = 20.0000' / IN.	DRAWN - JEH	REVISED -
PLOT DATE = 2/23/2010	CHECKED - ADG	REVISED -
	DATE - 02-22-2010	REVISED -

STATE OF ILLINOIS  
DEPARTMENT OF TRANSPORTATION

GENERAL NOTES & QUANTITIES

SCALE: NTS SHEET NO. 1 OF 1 SHEETS

**ESI** CONSULTANTS, LTD  
 753 WINDSOR ROAD  
 CHARLESTON, IL 61820  
 (217) 348-1900  
 WWW.ESICONSULTANTS.LTD.COM  
 ILLINOIS DEPARTMENT OF PROFESSIONAL REGULATION REGISTRATION #184-003685

F.A. RTE.	SECTION	COUNTY	TOTAL SHEETS	SHEET NO.
	08-09121-00-BR	VERMILION	14	2
			CONTRACT NO. 91431	
ILLINOIS FED. AID PROJECT				