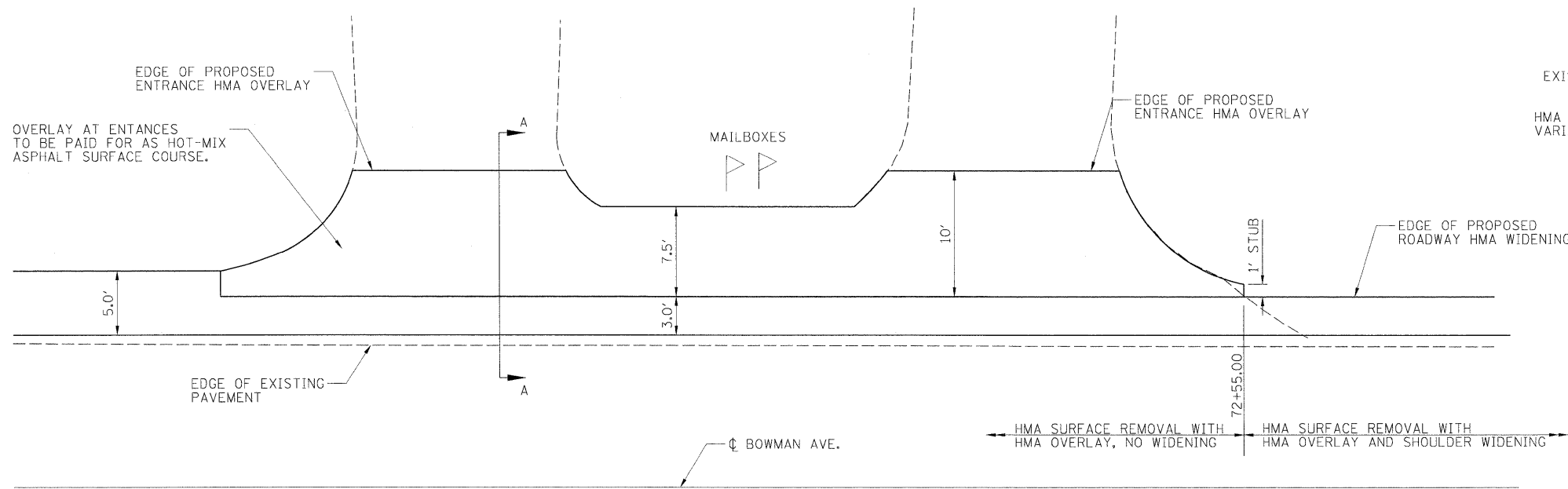
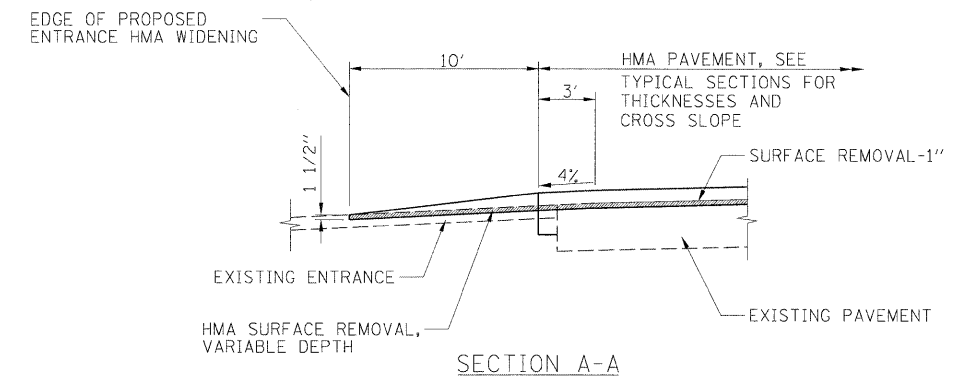
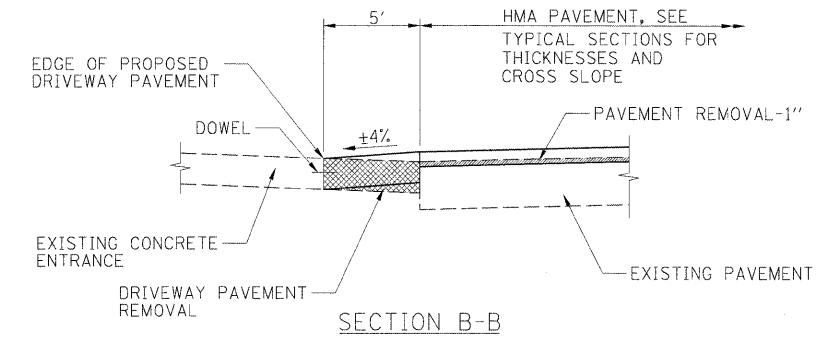


CONCRETE ENTRANCE DETAIL

STA. 199+36.84
 STA. 200+93.29
 STA. 212+43.44
 STA. 219+00.00



ASPHALT ENTRANCE DETAIL

STA. 71+95.05
 STA. 72+36.84



I:\08\jobs\08L0221\CADD\Road\Sheet\09003401PV\c-502_Entr.dgn	USER NAME = Johns02944	DESIGNED - m.hoyen	REVISED -
	PLOT SCALE = 50.0000' / in.	DRAWN - r.johnson	REVISED -
	PLOT DATE = 04/14/2010	CHECKED - m.hoyen	REVISED -
		DATE - 3/26/2010	REVISED -

STATE OF ILLINOIS
 DEPARTMENT OF TRANSPORTATION

ENTRANCE DETAILS - OVERLAY

SCALE: N.T.S. SHEET NO. OF SHEETS STA. TO STA.

F.A.S. RTE.	SECTION	COUNTY	TOTAL SHEETS	SHEET NO.
500	09-00334-01-PV	VERMILION	69	41
JOB NO. C-95-330-10		CONTRACT NO. 91440		
FED. ROAD DIST. NO. ILLINOIS FED. AID PROJECT				