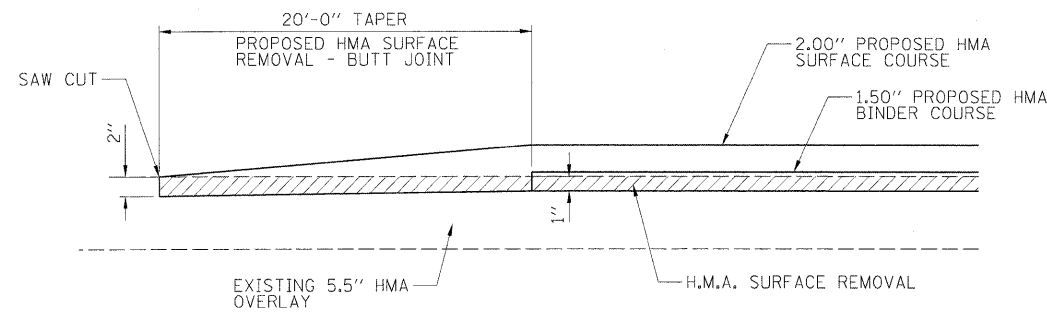
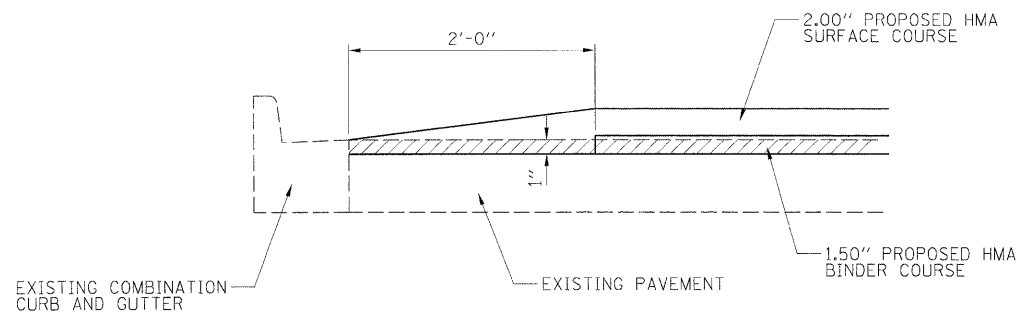


END SECTION OFFSETS



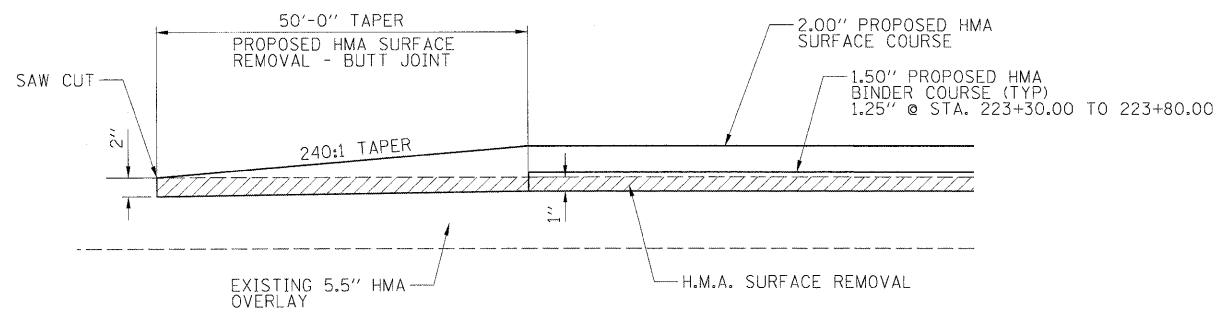
SIDEROAD BUTT JOINT AND H.M.A. TAPER

STA. 1+16.00 TO STA. 1+36.00 (LIBERTY)  
STA. 1+26.00 TO STA. 1+46.00 (POLAND WEST)  
STA. 0+80.00 TO STA. 1+00.00 (POLAND EAST)



PAVING TRANSITION AT INTERSECTION CURB AND GUTTER

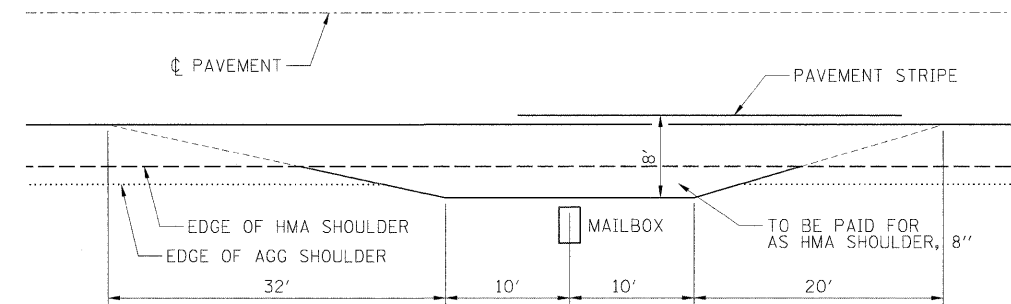
LIBERTY LANE INTERSECTION  
POLAND ROAD INTERSECTION



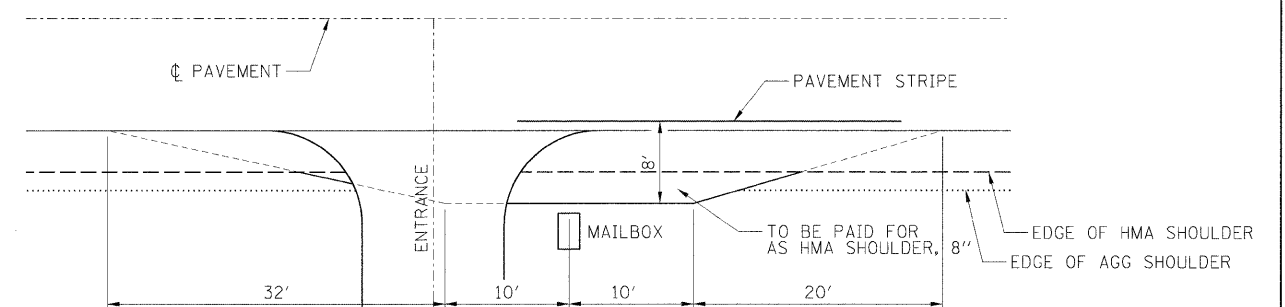
TYPICAL BUTT JOINT AND H.M.A. TAPER

STA. 69+00.00 TO STA. 69+50.00  
STA. 12+84.44 TO STA. 13+34.44  
STA. 15+86.76 TO STA. 16+36.76  
STA. 220+40.83 TO STA. 220+90.83

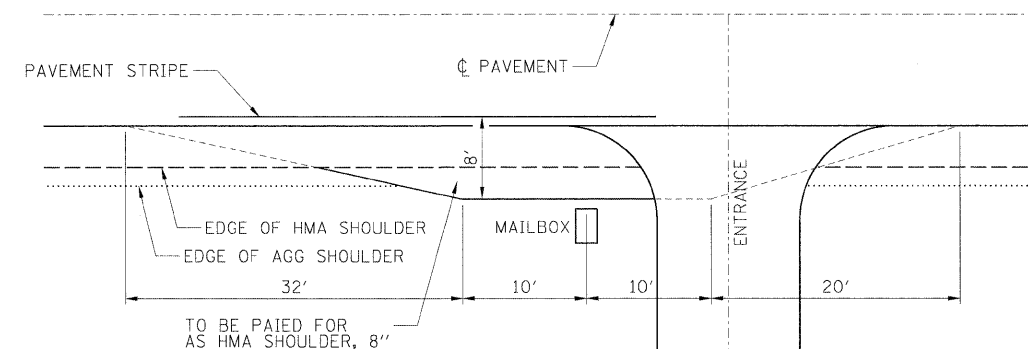
MAILBOX TUNOUT DETAILS



TYPICAL APPLICATION



MAILBOX ON FAR SIDE OF ENTRANCE



MAILBOX ON NEARSIDE OF ENTRANCE

I:\08\jobs\08L0221\CADD\Road\Sheet\0\003401PV\c-903.details.dgn	USER NAME = Johns02944	DESIGNED - m.heyen	REVISED -
	PLOT SCALE = 50.0000' / 1in.	DRAWN - r.johnson	REVISED -
	PLOT DATE = 04/14/2010	CHECKED - m.heyen	REVISED -
		DATE - 3/26/2010	REVISED -

F.A.S. RTE.	SECTION	COUNTY	TOTAL SHEETS	SHEET NO.
500	09-00334-01-PV	VERMILION	69	42
JOB NO. C-95-330-10		CONTRACT NO. 91440		
FED. ROAD DIST. NO.		ILLINOIS FED. AID PROJECT		