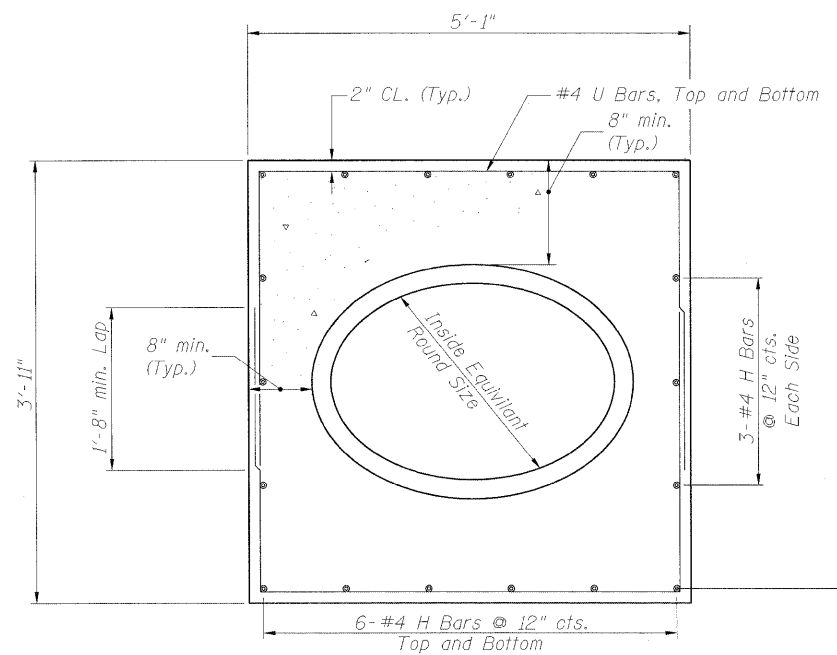
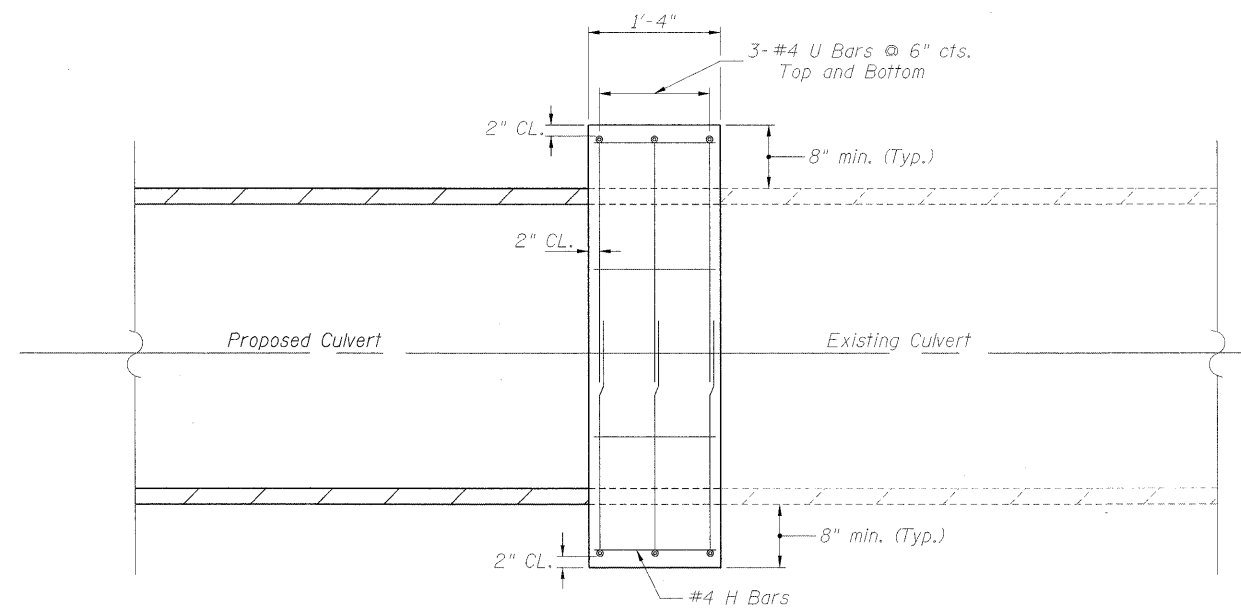


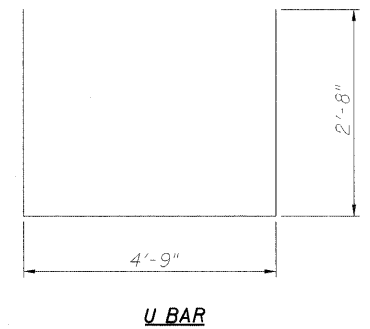
CULVERT OUTLET/DITCH RIPRAP DETAIL



SECTION VIEW



ELEVATION VIEW



U BAR

**BILL OF MATERIAL
ONE CONCRETE COLLAR**

Bar	No.	Size	Length	Shape
H	18	#4	1'-0"	—
U	6	#4	10'-1"	U
Concrete Collar			Cu Yd	0.6
Reinforcement Bars			Pound	50

Note: Cost For Structure Excavation Will Not Be Paid For Separately But Shall Be Included In The Unit Bid Price For Concrete Collar.

CONCRETE COLLAR FOR CULVERT CONNECTION