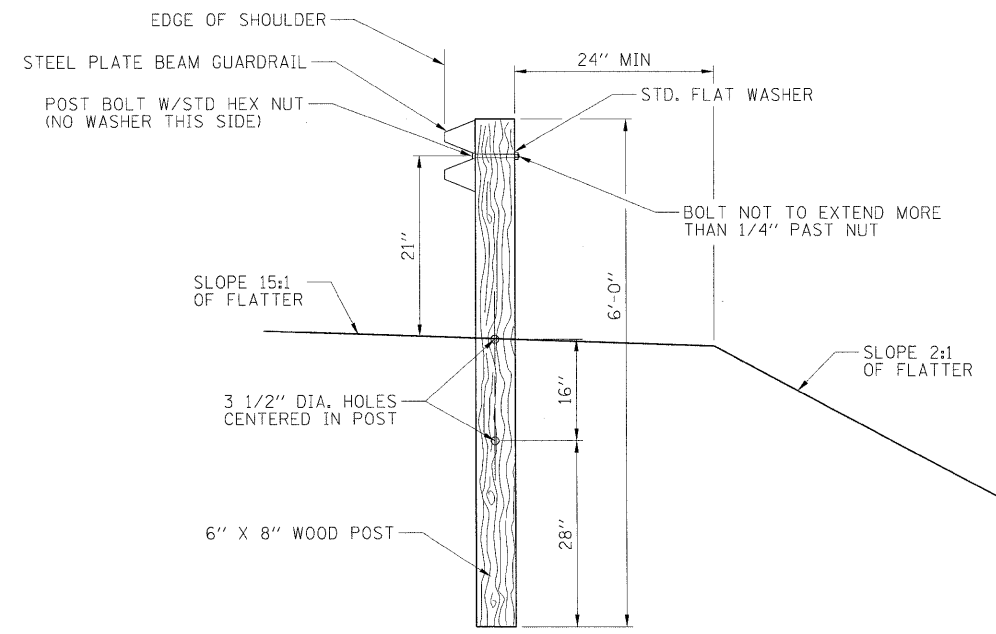


PLAN

| INSTALLATION CHARACTERISTICS PER DESIGN RADIUS (R) |                  |     |     |
|--|------------------|-----|-----|
| R  | NO. OF WOOD POST | X   | Y   |
| 8'-6"  | 5<br>(NOTE 3)    | 25' | 15' |
| 17'-0"   | 6                | 30' | 15' |
| 25'-6"   | 8                | 40' | 20' |
| 35'-0"   | 11               | 50' | 20' |



SECTION A-A

STEEL PLATE BEAM GUARDRAIL, SHORT RADIUS

NOTES:

1. CONSTRUCT ACCORDING TO STANDARD 631011 FOR TRAFFIC BARRIER TERMINAL TYPE 2, EXCEPT DELETE END SECTION AND SPLICE INTO RADIUS GUARDRAIL.
2. STEEL PLATE BEAM GUARDRAIL TYPE A, TYPE B, OR TRAFFIC BARRIER TERMINAL AS SPECIFIED.
3. FOR THE 8'-6" RADIUS, THE RAIL IS NOT BOLTED TO THE POST LOCATED AT THE MIDPOINT OF THE CURVE.

|  |                    |           |   |                                       |  |                     |                        |                     |                 |                    |  |
|--|--------------------|-----------|---|---------------------------------------|--|---------------------|------------------------|---------------------|-----------------|--------------------|--|
| J:\08\jobs\08L0221\CADD\Road\Sheet\09003401PV\0-508_Radiusrail.dgn<br>USER NAME = Johns00944<br>PLOT SCALE = 50.0000' / 1"<br>PLOT DATE = 04/14/2010 | DESIGNED - m.hoyen | REVISED - | <b>STATE OF ILLINOIS</b><br><b>DEPARTMENT OF TRANSPORTATION</b> | <b>SHORT RADIUS GUARDRAIL DETAILS</b> |  | F.A.S. RTE. 500     | SECTION 09-00334-01-PV | COUNTY VERMILION    | TOTAL SHEETS 69 | SHEET NO. 44       |  |
|  | DRAWN - r.johnson  | REVISED - |   | SCALE: N.T.S.                         |  | SHEET NO. OF SHEETS | STA. TO STA.           | JOB NO. C-95-330-10 |                 | CONTRACT NO. 91440 |  |
|  | CHECKED - m.hoyen  | REVISED - |   |                                       |  |                     |                        |                     |                 |                    |  |
|  | DATE - 3/26/2010   | REVISED - |   |                                       |  |                     |                        |                     |                 |                    |  |