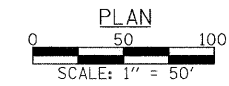
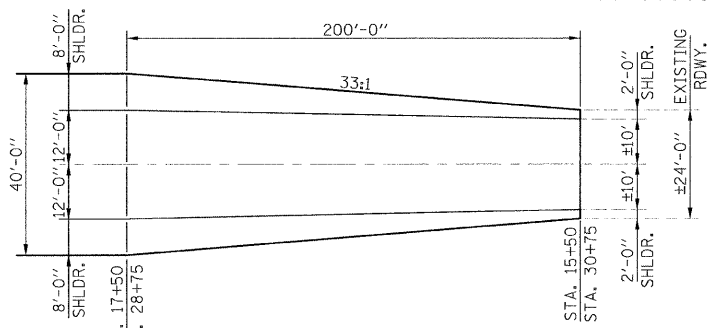
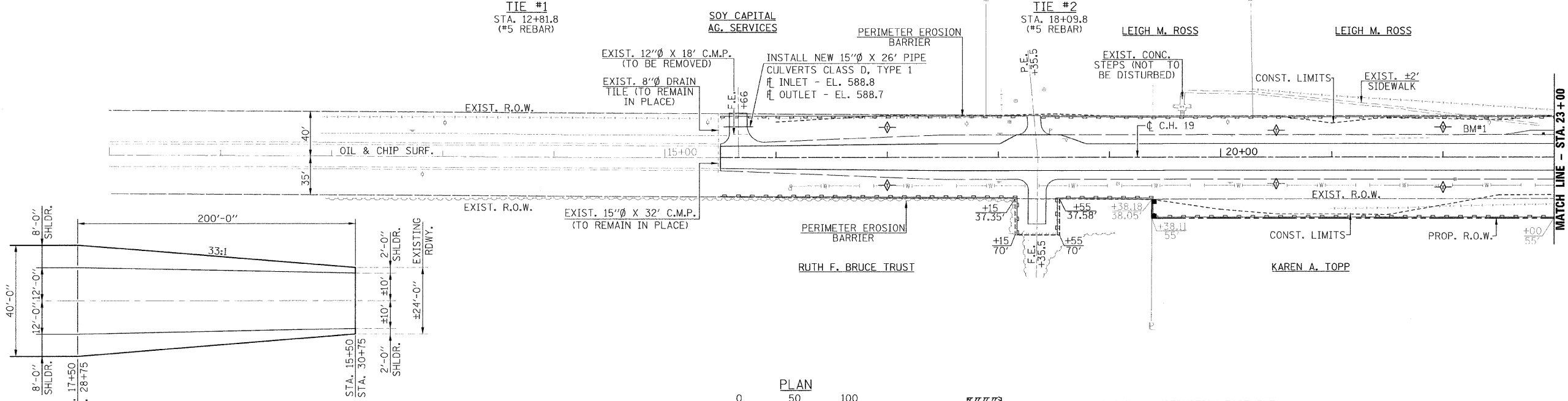
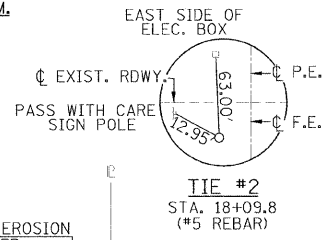
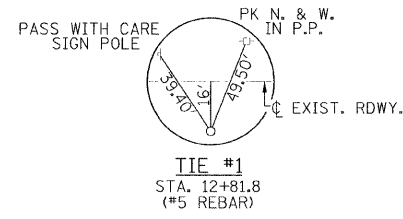
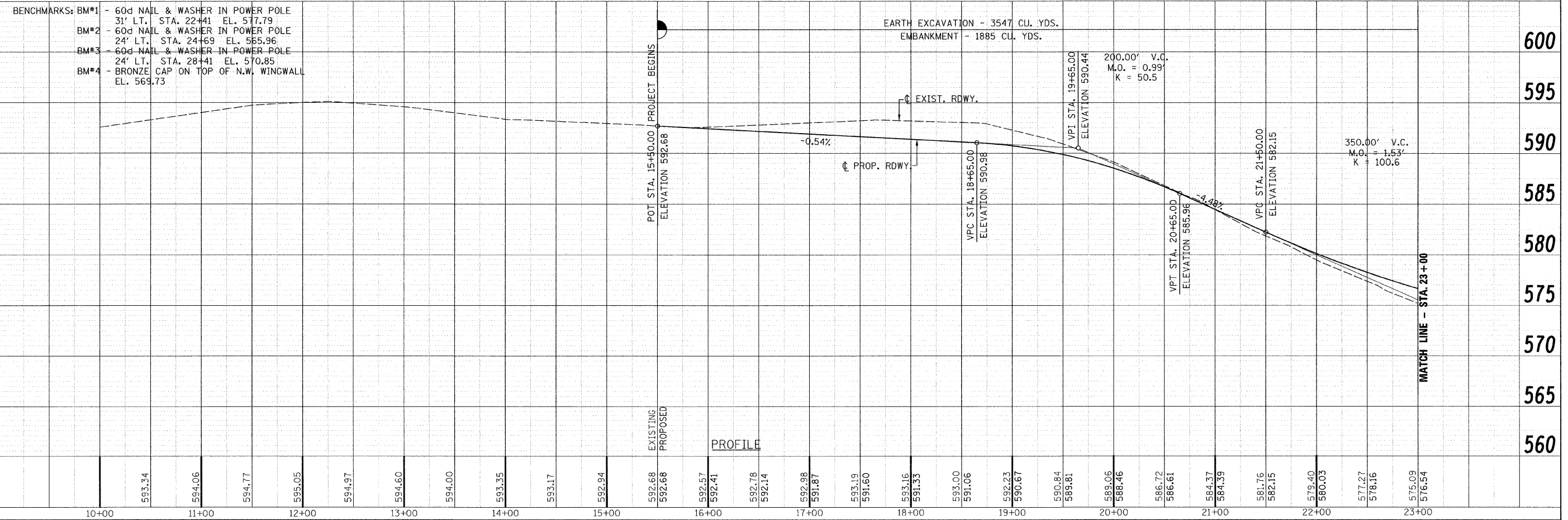


SECTION 26, T.16 N. R.3W. 3rd P.M.



INDICATES TEMPORARY CONSTRUCTION EASEMENT

ROADWAY TRANSITION DETAIL



- BENCHMARKS:
- BM#1 - 60d NAIL & WASHER IN POWER POLE 31' LT. STA. 22+41 EL. 577.79
 - BM#2 - 60d NAIL & WASHER IN POWER POLE 24' LT. STA. 24+69 EL. 565.96
 - BM#3 - 60d NAIL & WASHER IN POWER POLE 24' LT. STA. 28+41 EL. 570.85
 - BM#4 - BRONZE CAP ON TOP OF N.W. WINGWALL EL. 569.73

PLAN

DATE	
BY	
NO. OF REVISED	
NO. OF CHECKED	
NO. OF FILE NAME	

PROFILE

DATE	
BY	
NO. OF REVISED	
NO. OF CHECKED	
NO. OF FILE NAME	