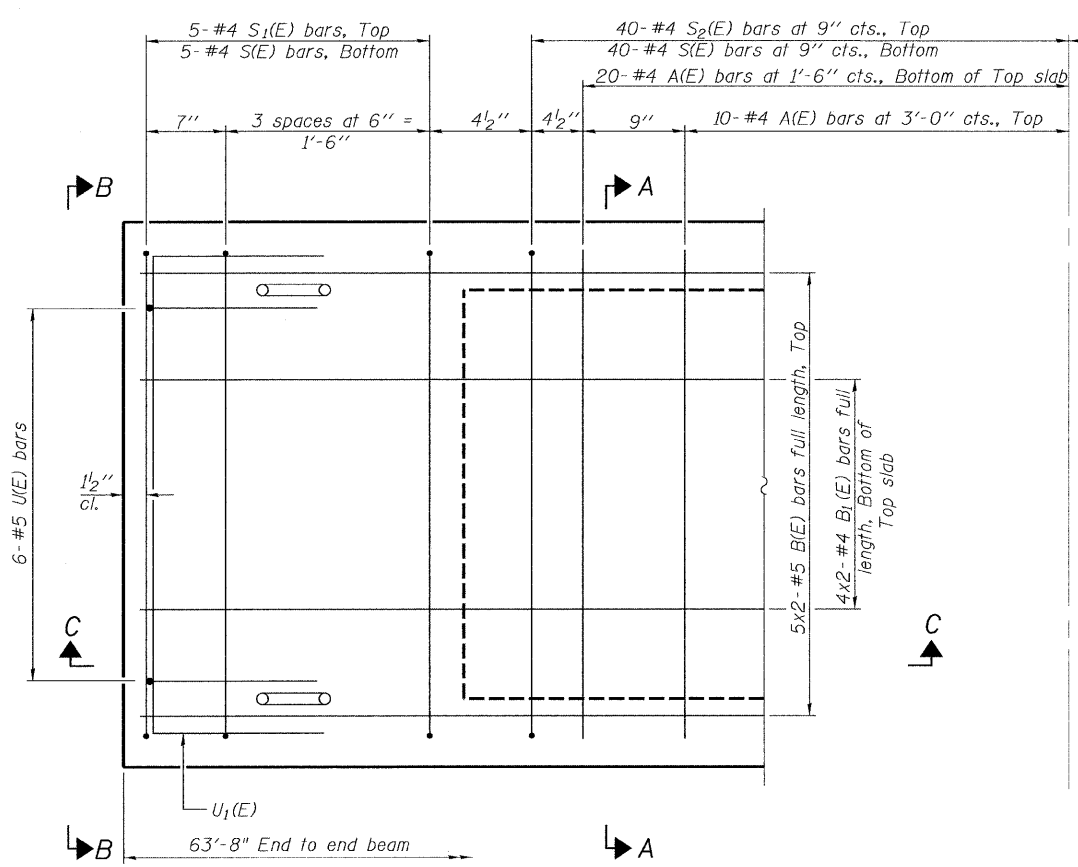


VIEW B-B



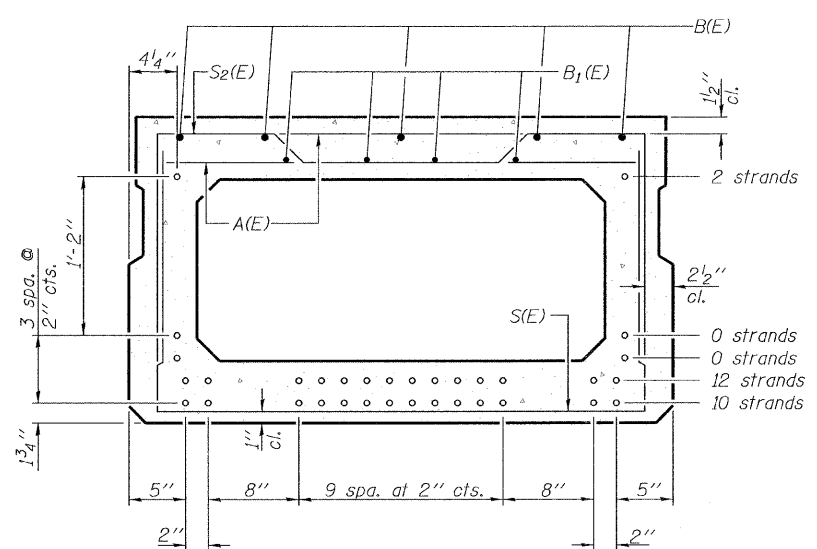
PLAN VIEW

MIN. BAR LAP
 #5 Bar = 2'-2"
 #4 Bar = 1'-8"

Note: Spacing of S(E) and S2(E) bars may be adjusted up to 4" in the immediate area of the transverse tie diaphragms to miss the block outs for the transverse ties.

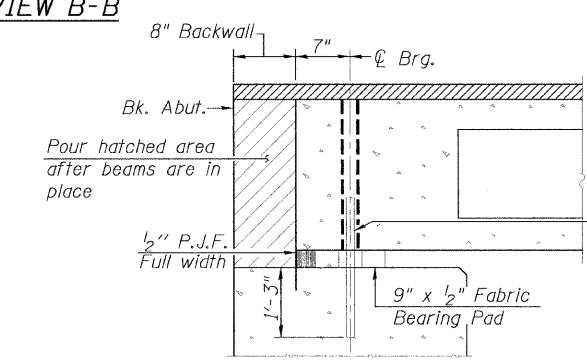
SECTION A-A
(Showing dimensions)

*Rail post anchor devices (See Sheet No. 11) to be cast into exterior face of outside beams.



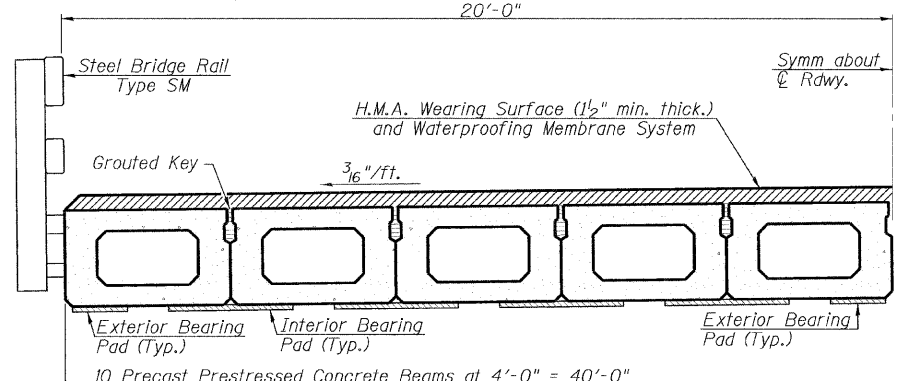
SECTION A-A

(Showing reinforcement and permissible strand locations)
 Note: Place the number of strands specified in each row symmetrically about the centerline of beam in the permissible strand locations shown.



SECTION THRU ABUTMENT
(At Right Angles)

1" x 2'-6" Dowel Rods in 1 1/2" Holes drilled in cap (2 Ea. End). Cost included with "Precast Prestressed Concrete Deck Beams (27" Depth)".



HALF CROSS SECTION

BAR LIST
ONE BEAM ONLY
(For information only)

Bar	No.	Size	Length	Shape
A(E)	59	#4	3'-7"	—
B(E)	10	#5	32'-9"	—
B1(E)	8	#4	32'-9"	—
S(E)	89	#4	7'-5"	┌
S1(E)	10	#4	6'-11"	┌
S2(E)	79	#4	7'-2"	┌
U(E)	12	#5	4'-6"	┌
U1(E)	4	#4	6'-0"	┌

Note: See sheet 10 of 25 for additional details and Bill of Material.