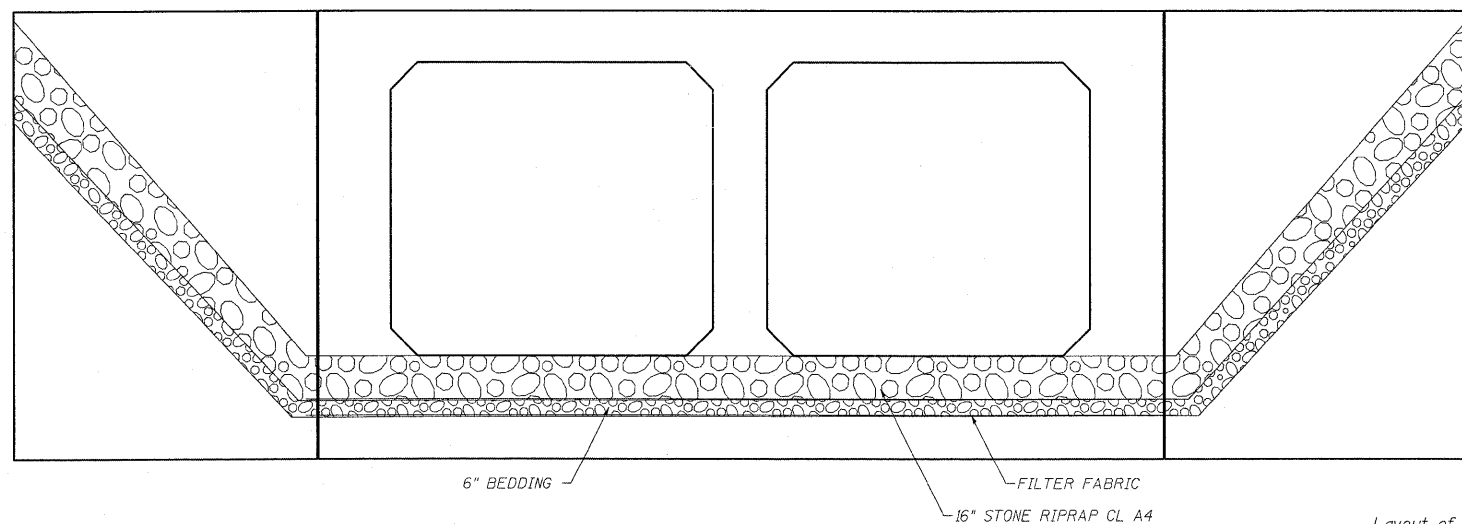
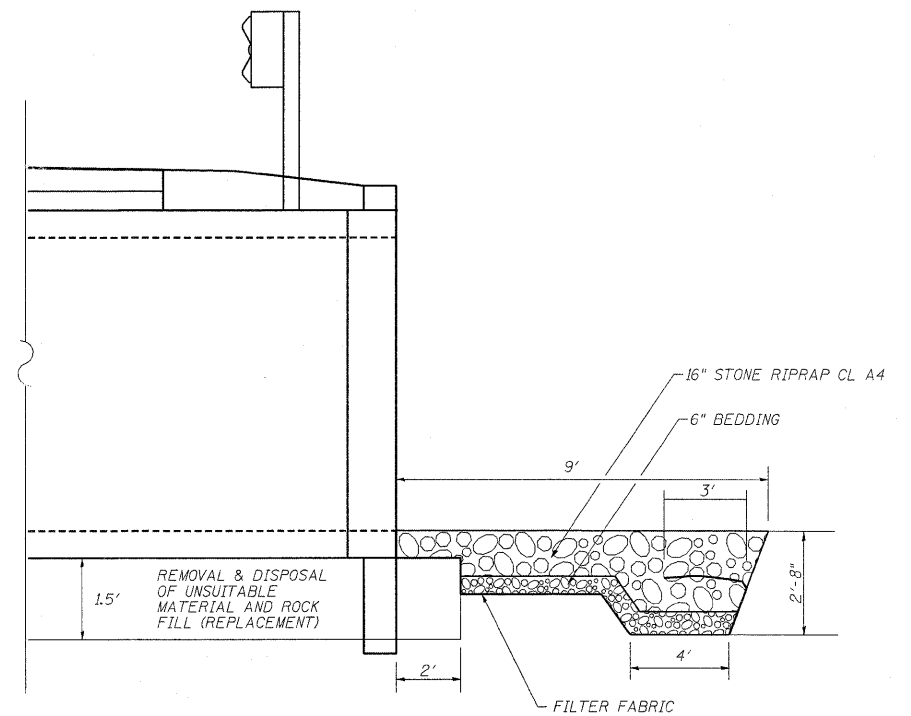


PLAN

South end shown, North end similar



SECTION A-A



SECTION B-B

NOTES

Layout of riprap may be varied to suit ground conditions in the field as directed by the Engineer.

The limits of Removal and Disposal of Unsuitable Material and Rockfill (Replacement) shall be, in plan view, two feet outside the limits of the proposed box culvert and collar and in the vertical direction, as shown in Section B-B.

RIPRAP DETAILS  
STRUCTURE NO. 080-2005

FILE NAME =	USER NAME = teasleyck	DESIGNED - D. Greifzu	REVISED -
ca:\pw_work\pwidth\teasleyck\dms60138\Rip	land 0802005 20090723 Final.dgn	DRAWN - D. Greifzu	REVISED -
	PLOT SCALE = 1.0002 in / IN.	CHECKED - M. Christensen	REVISED -
	PLOT DATE = 1/13/2010	DATE - 07/08/09	REVISED -

STATE OF ILLINOIS  
DEPARTMENT OF TRANSPORTATION

RIPRAP DETAILS

F.A. RTE. 327	SECTION 5B-1	COUNTY RICHLAND	TOTAL SHEETS 14	SHEET NO. 10
SCALE:		SHEET NO. 2 OF 6 SHEETS		STA. TO STA.
FED. ROAD DIST. NO.		ILLINOIS FED. AID PROJECT CONTRACT NO.		