

ROUTE NO.	SECTION	CITY	TOTAL SHEETS	SHEET NO.
00-00001-00-RP		OREANA	46	17
FED. ROAD DIST. NO.	ILLINOIS		PROJECT HPP-0913 (001)	

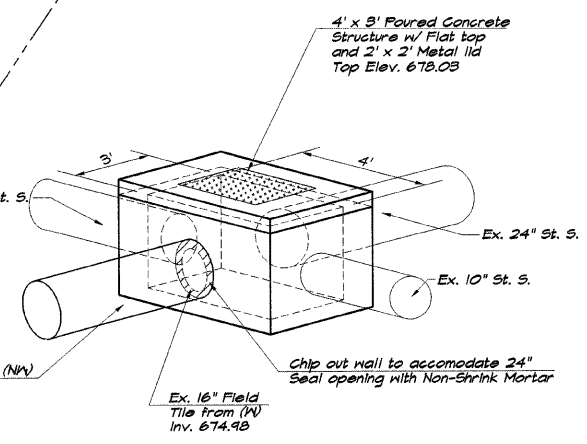
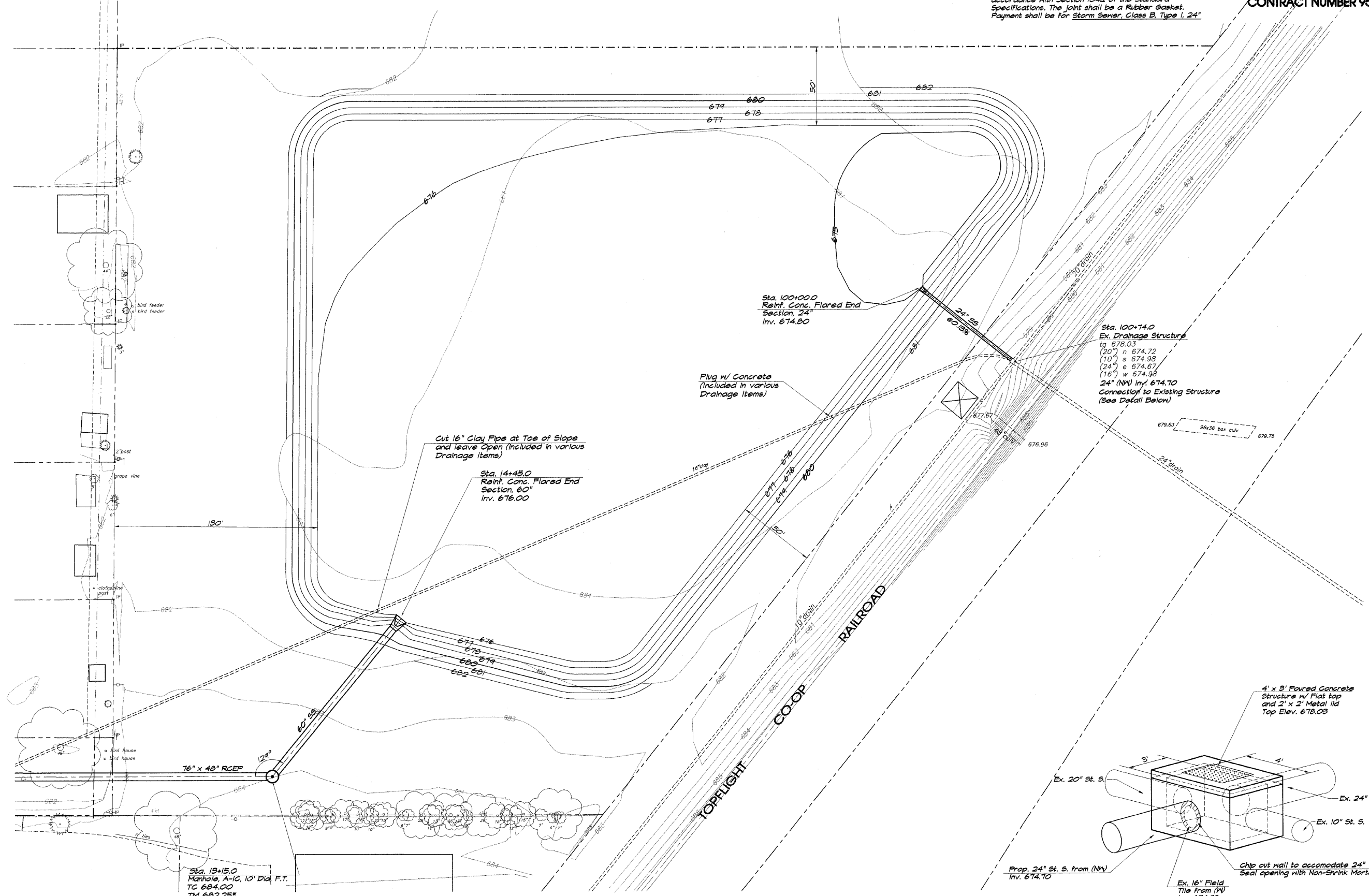
CONTRACT NUMBER 95537				
DESIGNED	SCALE	DATE	DATE	JOB NO.
MJF	1" = 50'	Feb. 2009	Feb. 2009	06-C40A0X
DRAWN				
Les Jenkins				
FIELD BOOK				
ITC				

BAINBRIDGE & ASSOCIATES, INC.
 Consulting Engineers
 1670 SOUTH TAYLORVILLE ROAD
 DECATUR ILLINOIS
 Illinois License 194-001285

VILLAGE OF OREANA, ILLINOIS
 SAFE TEA-LU PROJECT
OUTLET SEWER PROFILE
 STATION 809+00.00 TO 13+66.0

SHEET NO.	17
OF	46

NOTE: 24" S.S. from Sta. 100+00.0 to Sta. 100+74.0 shall be Reinforced Concrete Storm Drain in accordance with Section 1042 of the Standard Specifications. The joint shall be a Rubber Gasket. Payment shall be for Storm Sewer, Class B, Type 1, 24"



DETAIL OF CONNECTION

Sta. 13+15.0
 Manhole, A-10, 10' Dia. F.T.
 TC 684.00
 TM 682.25'
 Inv. (N) 676.12
 Inv. (NE) 676.12
 * Bot. of F.T.