

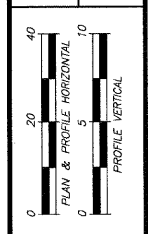
|                     |          |         |                |           |
|---------------------|----------|---------|----------------|-----------|
| ROUTE NO.           | SECTION  | CITY    | TOTAL SHEETS   | SHEET NO. |
| 00-00001-00-RP      |          | OREANA  | 46             | 21        |
| FED. ROAD DIST. NO. | ILLINOIS | PROJECT | HPP-0913 (001) |           |

CONTRACT NUMBER 95537

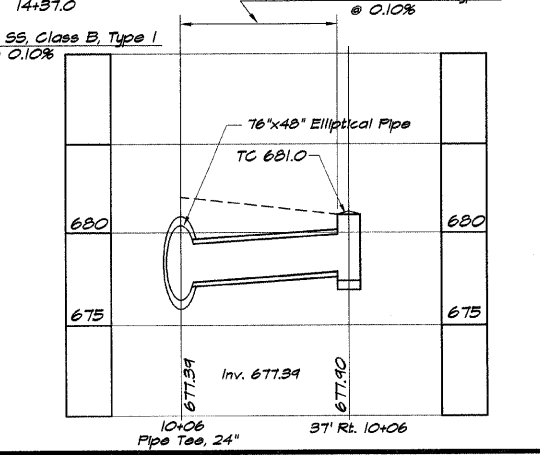
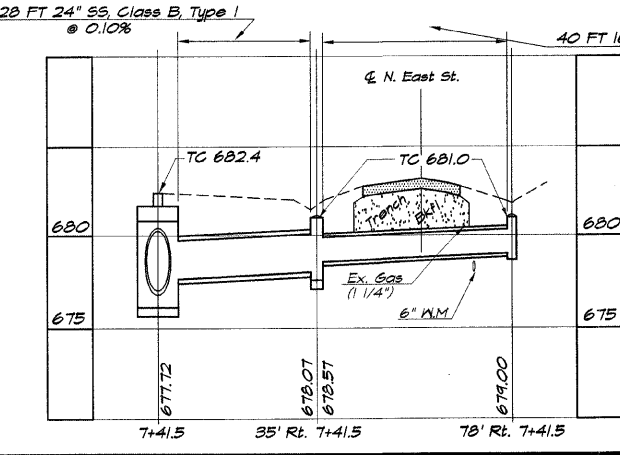
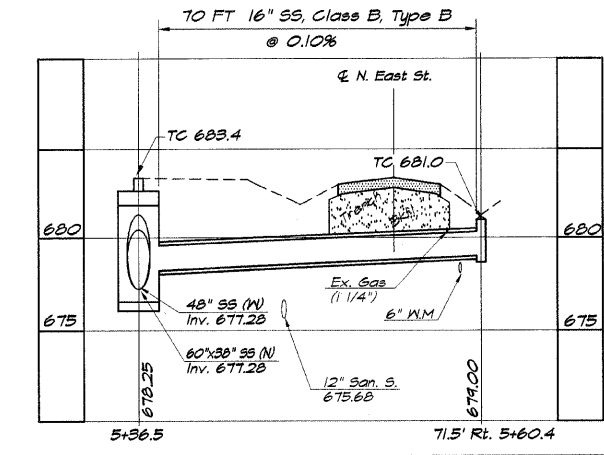
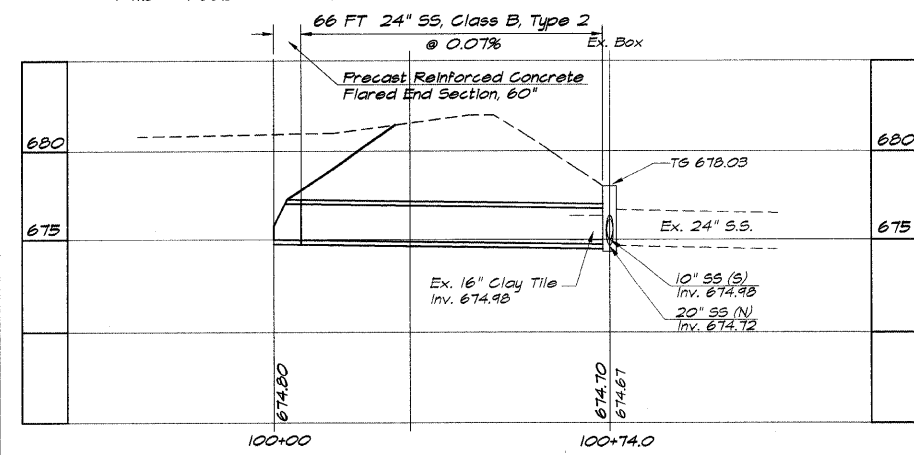
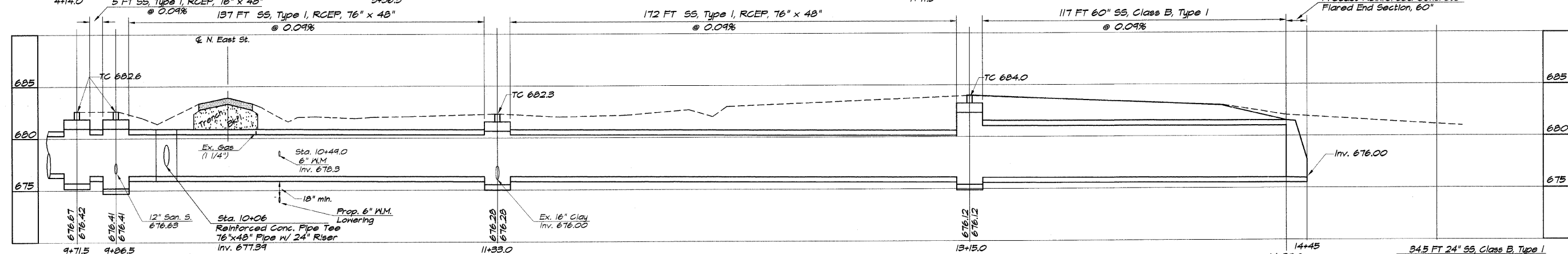
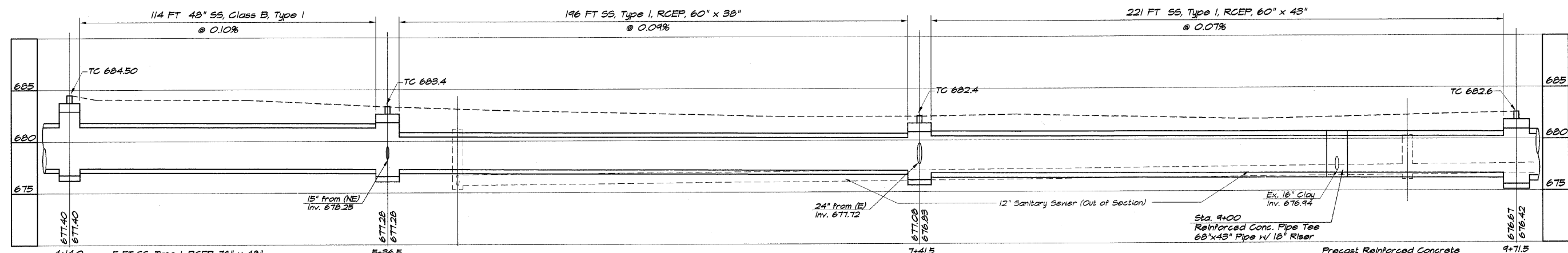
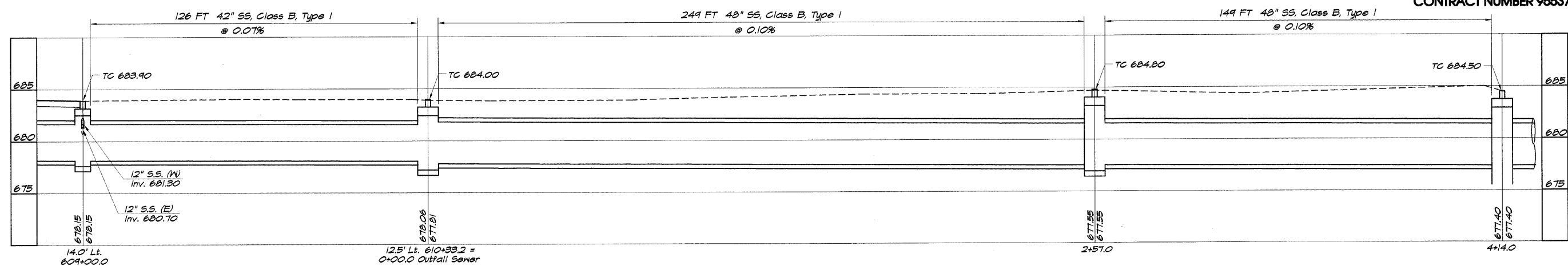
| REVISIONS | NO. | DATE   | BY  |
|-----------|-----|--------|-----|
|           | 1   | 4-1-07 | MHP |

DESIGNED: MHP  
 DRAWN: Les Jenkins  
 FIELD BOOK: XXX  
 SCALE: 1" = 20'  
 DATE: Feb. 2007  
 JOB NO.: 06-040X

**BRIDGE & ASSOCIATES, INC.**  
 Consulting Engineers  
 1670 SOUTH TAYLORVILLE ROAD  
 DECATUR ILLINOIS  
 License 184-001256



SHEET NO. 21 OF 46



**VILLAGE OF OREANA, ILLINOIS**  
 SAFE TEA-LU PROJECT  
**OUTFALL SEWER PROFILE**  
 STATION 609+00.00 TO 14+98.00