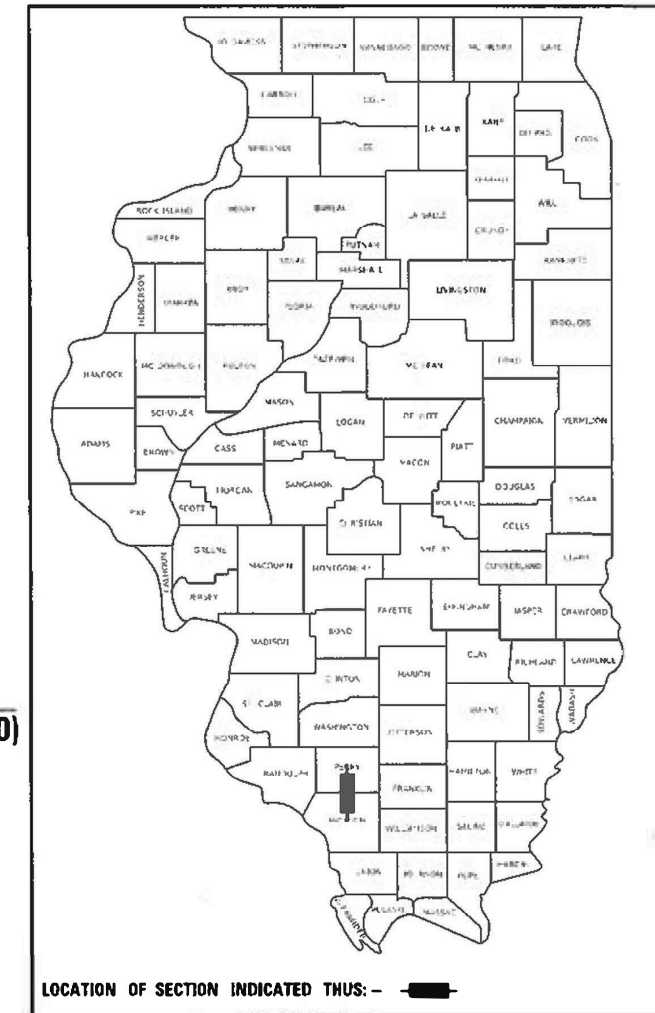


STATE OF ILLINOIS
DEPARTMENT OF TRANSPORTATION

F.A.P. RTE.	SECTION	COUNTY	TOTAL SHEETS	SHEET NO.
322	4,3,2,1(RS-6)	JACKSON / PERRY	76	1
		ILLINOIS	CONTRACT NO. 78838	

D-99-014-21



PROPOSED HIGHWAY PLANS

F.A.P. ROUTE 322 (US 51)
SECTION 4,3,2,1(RS-6)
PROJECT NHPP-HSIP-8TKA(376)
PATCHING & RESURFACING
JACKSON CO / PERRY CO

FOR INDEX OF SHEETS, SEE SHEET NO. 3
FOR SUMMARY OF QUANTITIES, SEE SHEET NO. 5-8

TRAFFIC DATA			
LOCATION	US 51 (FAP 322)	LOCATION	US 51 (FAP 322)
(2021) COUNTY	JACKSON	(2019) COUNTY	PERRY
PV=	8,520	PV=	5,445
SU=	280	SU=	230
MU=	280	MU=	195
ADT=	9,080	ADT=	5,870
TRUCK %	6	TRUCK %	7

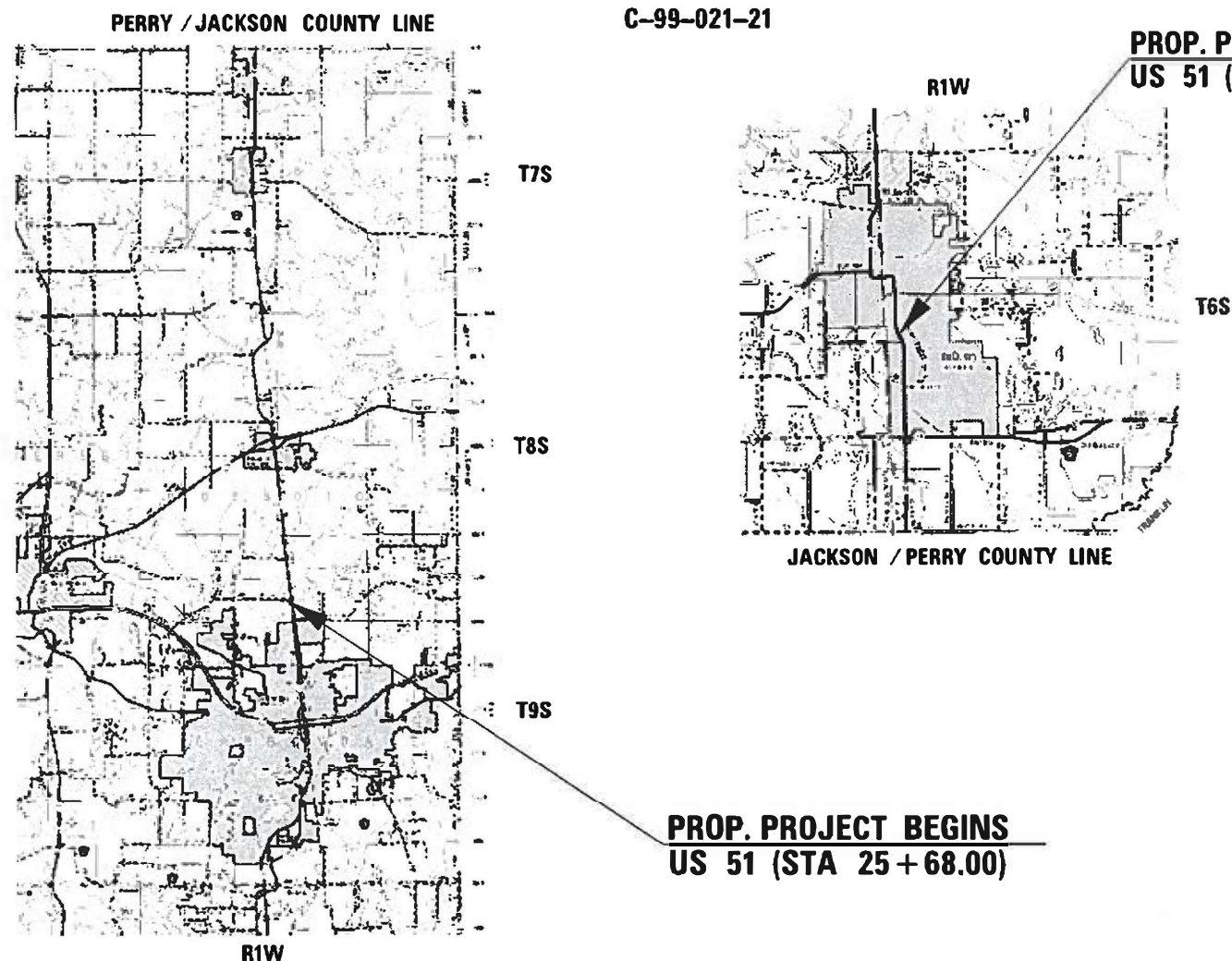
TOWNSHIPS
CARBONDALE
DESOTO
ELK
DUQUOIN

DESIGN DESIGNATION : N/A
COORDINATE SYSTEM : ILLINOIS EAST
POSTED SPEED (MPH): 30, 45, 50, & 55

J.U.L.I.E.
JOINT UTILITY LOCATION INFORMATION FOR EXCAVATION
1-800-892-0123
OR 811

PROJECT ENGINEER: VALERIE ROLLA
PROJECT DESIGNER ROBERT HANDY

CONTRACT NO. 78838



GROSS LENGTH = 94,463.84 FT. = 17.89 MILES
NET LENGTH = 93,714.89 FT. = 17.85 MILES

STATE OF ILLINOIS
DEPARTMENT OF TRANSPORTATION

SUBMITTED 05-06-2021
KPS

REGION FIVE ENGINEER

June 25, 2021 [Signature]
ENGINEER OF DESIGN AND ENVIRONMENT

June 25, 2021 [Signature]
DIRECTOR OF HIGHWAYS PROJECT IMPLEMENTATION 13

PRINTED BY THE AUTHORITY
OF THE STATE OF ILLINOIS

MOPTI D:\sout
FILE NAME: c:\p\glenn\room\dot\illinois\opv\p\m\DOT\Documents\DOT_Offices\Districts\Districts\17883B\CAD\2021\CAD\17883B\17883B.dwg

Prepared By: Charles Stein
DISTRICT STUDIES & PLANS ENGINEER

Examined By: Nancy Hill
DISTRICT LAND ACQUISITION ENGINEER

Examined By: Con Nelson
DISTRICT PROGRAM DEVELOPMENT ENGINEER

Examined By: _____
DISTRICT OPERATIONS ENGINEER

Examined By: K.P.O.
DISTRICT PROJECT IMPLEMENTATION ENGINEER

Examined By: Douglas J. Neuzil
DISTRICT CONSTRUCTION ENGINEER

Examined By: R. C. [Signature]
DISTRICT MATERIALS ENGINEER

USER NAME = hAndyrr	DESIGNED -	REVISED -
	DRAWN -	REVISED -
PLOT SCALE = 100.0000 ' / in.	CHECKED -	REVISED -
PLOT DATE = 5/4/2021	DATE -	REVISED -

**STATE OF ILLINOIS
DEPARTMENT OF TRANSPORTATION**

SIGNATURE SHEET

SCALE: SHEET OF SHEETS STA. TO STA.

F.A.P. RTE.	SECTION	COUNTY	TOTAL SHEETS	SHEET NO.
322	4.3.2.1(R5-6)		76	2
			CONTRACT NO. 7883B	
ILLINOIS FED. AID PROJECT				

SHEET DESCRIPTION

- 1 COVER SHEET
- 2 SIGNATURE SHEET
- 3 INDEX OF SHEETS, GENERAL NOTES, HIGHWAY STANDARDS,
STATION EQUATIONS & GAP OMISSIONS
- 4 HMA MIX DESIGN, COMMITMENTS & MTD STANDARDS
- 5-8 SUMMARY OF QUANTITIES
- 9-24 TYPICAL SECTIONS: US 51
- 25-28 US 51 PAVEMENT RESURFACING SCHEDULE
- 29-33 US 51 SHOULDER / PARKING LANE SCHEDULE
- 34-36 US 51 PAVEMENT MARKING SCHEDULE
- 37-38 US 51 PAVEMENT DELINEATION SCHEDULE
- 39 US 51 GUARDRAIL SCHEDULE
- 40 PARKING LANE SCHEDULE & SIDEWALK SCHEDULE
- 41-49 US 51 PAVEMENT PATCHING
- 50-52 US 51 & INDUSTRIAL PARK RD PAVEMENT MARKINGS
- 53-54 US 51 & DILLINGER RD PAVEMENT MARKINGS
- 55 US 51 & AIRPORT RD PAVEMENT MARKINGS
- 56 US 51 & UNION RD PAVEMENT MARKINGS (VILLAGE OF DOWELL)
- 57 US 51 TYPICAL MARKINGS (PERRY COUNTY)
- 58-59 US 51 & IL 14 INTERSECTION PAVEMENT MARKINGS
- 60-61 US 51 & HOWELLMAN DRIVE PAVEMENT MARKINGS
- 62 SIDEWALK PLAN & REMOVAL SHEET
US 51 BETWEEN LINCOLN ST & AND MAIN ST (DESOTO)
- 63 SIDEWALK PLAN SHEET US 51 & IL 149 (DESOTO) NE QUAD
- 64 SIDEWALK REMOVAL SHEET US 51 & IL 149 (DESOTO) NE QUAD
- 65 SIDEWALK PLAN SHEET US 51 & BOARD ST (ELKVILLE) NW QUAD
- 66 SIDEWALK REMOVAL SHEET US 51 & BOARD ST (ELKVILLE) NW QUAD
- 67 SIDEWALK PLAN SHEET US 51 & BOARD ST (ELKVILLE) NE QUAD
- 68 SIDEWALK REMOVAL SHEET US 51 & BOARD ST (ELKVILLE) NE QUAD
- 69-73 SIDEWALK STANDARD DETAILS
- 74 CENTERLINE RUBLE STRIP DETAIL
- 75 US 51 INLAY DETAIL AT END OF PROJECT
- 76 ROUGH GROOVED, UNEVEN LANE SIGN DETAIL
HMA TRANSITION DETAIL

OMISSIONS

STA 105+55.60	TO	STA 106+63.80	SN 039-0063
STA 174+28.27	TO	STA 177+91.75	SN 039-0065
STA 0+80.00	TO	STA 0+90.00	IL 149 RAILROAD CROSSING
STA 429+91.00	TO	STA 430+97.00	SN 039-0052
STA 641+72.00	TO	STA 641+98.00	SN 039-0002
STA 755+40.00	TO	STA 756+20.00	SN 039-2030
STA 787+50.00	TO	STA 787+92.70	SN 039-0001
STA 865+47.10	TO	STA 865+72.90	SN 073-0003

GENERAL NOTES

FACTORS USED FOR ESTIMATING PLAN QUANTITIES ARE AS FOLLOWS AND SHALL NOT BE USED FOR THE BASIS OF FINAL QUANTITIES:

ALL HOT MIX ASPHALT	2.016 TONS/CU. YD.
ALL AGGREGATE	2.05 TONS/CU. YD.

THE ALGEBRAIC DIFFERENCE BETWEEN THE PAVEMENT AND SHOULDER SLOPES SHALL NOT EXCEED 10%. THE SHOULDER ON THE OUTSIDE OF SUPERELEVATED CURVES SHALL BE FLATTENED ACCORDINGLY.

THE QUANTITY OF SHORT TERM PAVEMENT MARKING SHOWN IN THE PLANS IS BASED ON ONE APPLICATION EACH FOR THE HMA SURFACE REMOVAL, BINDER COURSE, AND SURFACE COURSE.

THE CONTRACTOR SHALL STAMP STATIONING IN THE PROPOSED HOT MIX ASPHALT SURFACE AT 300 FT INTERVALS ON ALTERNATING SIDES OF THE PAVEMENT AND AS DIRECTED BY THE ENGINEER. THE STATION SYMBOL STAMPS USED SHALL BE FURNISHED BY THE CONTRACTOR. THEY SHALL BE 5 1/2 IN. TALL, OF A DESIGN APPROVED BY THE ENGINEER, AND SHALL REMAIN THE PROPERTY OF THE CONTRACTOR.

HMA RESURFACING SHALL BE PLACED IN A SEQUENCE THAT WILL MINIMIZE THE TIME THE CENTERLINE EDGE IS EXPOSED TO TRAFFIC. WHEN AT THE END OF A DAY'S OPERATION THE EXPOSED CENTERLINE EDGE IS GREATER THAN 2,000 FT, THE CONTRACTOR SHALL BE REQUIRED TO PAVE IN THE ADJACENT LANE ON THE FOLLOWING WORK DAY. PRIOR TO WINTER SHUTDOWN, RESURFACING ON ADJACENT LANES IS TO BE BROUGHT UP TO THE SAME FINISH.

LONGITUDINAL JOINT SEALANT SHALL BE PLACED UNDER THE HMA SURFACE COURSE

REVISE STANDARD SPECIFICATIONS ARTICLE 107.12, PARAGRAPH 5, LAST SENTENCE TO READ: 'ALL OTHER RAILROAD FLAGGER COSTS WILL BE INCURRED BY THE DEPARTMENT ACCORDING TO ARTICLE 109.05.'

COMMITMENTS:

CONTACT JOHNNIE HALSTEAD (618.568.1843), AT RICK WARREN LIBRARY IN ELKVILLE PRIOR TO ADA SIDEWALK WORK AT NE CORNER OF US 51 & BOARD ST

STATION EQUATIONS

JACKSON COUNTY

STA EQ 60+93.70 BK = STA. 61+00.00 AH
STA EQ 105+45.80 BK = STA. 105+50.00 AH
STA EQ 152+19.49 BK = STA. 152+20.24 AH
STA EQ 195+59.60 BK = STA. 195+55.58 AH
STA EQ 214+41.70 BK = STA. 214+74.80 AH
STA EQ 313+06.50 BK = STA. 313+00.00 AH
STA EQ 500+17.89 BK = STA. 508+10.35 AH
STA EQ 625+15.70 BK = STA. 625+00.00 AH
STA EQ 687+06.57 BK = STA. 687+66.53 AH
STA EQ 727+00.00 BK = STA. 727+25.70 AH
STA EQ 782+56.00 BK = STA. 782+90.00 AH

PERRY COUNTY

STA EQ 810+24.90 BK = STA. 810+00.00 AH
STA EQ 854+19.70 BK = STA. 854+17.26 AH
STA EQ 865+06.20 BK = STA. 865+00.00 AH
STA EQ 889+94.20 BK = STA. 890+00.00 AH

HIGHWAY STANDARDS

000001-08	701006-05
001001-02	701101-05
001006	701106-02
420001-09	701301-04
424001-11	701306-04
424016-05	701311-03
442201-03	701326-04
482011-03	701336-07
606001-07	701602-10
630001-12	701606-10
630106-02	701701-10
630301-09	701801-06
631031-17	701901-08
635001-02	725001-01
642006-01	780001-05
701001-02	781001-04
701011-04	782006-01
643001-02	

REV. - MS

STATE OF ILLINOIS
DEPARTMENT OF TRANSPORTATION

INDEX OF SHEETS, HIGHWAY STANDARDS
GENERAL NOTES & GAP OMISSIONS

SCALE: SHEET OF SHEETS STA. TO STA.

F.A.P. RTE.	SECTION	COUNTY	TOTAL SHEETS	SHEET NO.
322	4,3,2,1(RS-6)	-	76	3
CONTRACT NO. 78838			ILLINOIS FED. AID PROJECT	

JACKSON/PERRY

HMA MIXTURE REQUIREMENTS TABLES

Location(s):	Hot-Mix Asphalt Surface Course
Mixture Use(s):	Hot-Mix Asphalt Surface Course, Mix D, N70
AB/PG:	PG64-22
ABR % (Max):	See Special Provision
Design Air Voids:	4.0 %, 70 Gyration Design
Mixture Composition: (Mixture Gradation)	IL-9.5mm
Friction Aggregate:	D Surface
Mixture Weight:	112 lbs/Sq Yd/in
Quality Management Program:	PFPP
Sublot Size:	TBD

Location(s):	Hot-Mix Asphalt Binder (1.25")
Mixture Use(s):	Hot-Mix Asphalt Binder, N70, IL-9.5 Fine Graded
AB/PG:	PG64-22
ABR % (Max):	See Special Provision
Design Air Voids:	4.0 %, 70 Gyration Design
Mixture Composition: (Mixture Gradation)	IL-9.5mm Fine Graded
Friction Aggregate:	None
Mixture Weight:	112 lbs/Sq Yd/in
Quality Management Program:	PFPP
Sublot Size:	TBD

Location(s):	Pavement Patching and Hot-Mix Asphalt Binder (2.25")
Mixture Use(s):	Hot-Mix Asphalt Binder, N70, IL-19.0L
AB/PG:	PG64-22
ABR % (Max):	See Special Provision
Design Air Voids:	4.0 %, 70 Gyration Design
Mixture Composition: (Mixture Gradation)	IL-19.0mm Fine Graded
Friction Aggregate:	None
Mixture Weight:	112 lbs/Sq Yd/in
Quality Management Program:	QCQA
Sublot Size:	NA

HMA MIXTURE REQUIREMENTS TABLE- CONT.

Location(s):	Hot-Mix Asphalt Shoulders (Lower Lifts)
Mixture Use(s):	Hot-Mix Asphalt Binder Course, N30, IL-19.0L
AB/PG:	PG64-22
ABR % (Max):	See Special Provision
Design Air Voids:	4.0 %, 30 Gyration Design
Mixture Composition: (Mixture Gradation)	IL-19.0L
Friction Aggregate:	None
Mixture Weight:	112 lbs/Sq Yd/in
Quality Management Program:	QCQA
Sublot Size:	NA

Location(s):	Hot-Mix Asphalt Shoulders (Top Lift)
Mixture Use(s):	Hot-Mix Asphalt Surface Course, Mix C, N30, 9.5L
AB/PG:	PG64-22
ABR % (Max):	See Special Provision
Design Air Voids:	4.0 %, 30 Gyration Design
Mixture Composition: (Mixture Gradation)	IL-9.5L
Friction Aggregate:	None
Mixture Weight:	112 lbs/Sq Yd/in
Quality Management Program:	QCQA
Sublot Size:	NA

MTD CROSSING RESTRICTIONS TABLE

SN & CENTERLINE STATION	ROUTE	EXISTING FILL HEIGHT OVER BOX CULVERT	THICKNESS OF EXISTING PAVEMENT OVER BOX CULVERT	MAXIMUM GROSS WEIGHT RESTRICTIONS	MTD CROSSING RESTRICTIONS
				TONS	
		FOOT	FOOT		
CULVERTS					
SN 039-2030	- STA 755+80	US 51	1.9	40	EMPTY
SN 039-7063	- STA 665+82	US 51	1.5	40	EMPTY
SN 039-7065	- STA 727+80	US 51	1.5	40	EMPTY
SN 039-7121	- STA 535+25	US 51	2	40	EMPTY
BRIDGES					
SN 039-0001	- STA 787+72	US 51		40	EMPTY
SN 039-0002	- STA 641+85	US 51		38	EMPTY
SN 039-0063	- STA 106+10	US 51		40	EMPTY
SN 039-0052	- STA 430+51	US 51		40	EMPTY
SN 039-0065	- STA 176+13	US 51		40	EMPTY
SN 073-0003	- STA 865+55	US 51		40	EMPTY

MODEL: Default
 FILE NAME: p:\data\mtrn00m.dwg
 PROJECT: 78838-CA00DataCAD\Drawings\0778838-Plan_Sheets.dwg
 OFFICE: J:\Projects\78838-CA00DataCAD\Drawings\0778838-Plan_Sheets.dwg

USER NAME = handyc	DESIGNED -	REVISED -
	DRAWN -	REVISED -
PLOT SCALE = 100,0000' / in.	CHECKED -	REVISED -
PLOT DATE = 5/6/2021	DATE -	REVISED -

STATE OF ILLINOIS
DEPARTMENT OF TRANSPORTATION

MIXTURE DESIGN & MTD STANDARDS

SCALE: SHEET OF SHEETS STA. TO STA.

F.A.P. RTE.	SECTION	COUNTY	TOTAL SHEETS	SHEET NO.
322	4,3,2,1(RS-6)	-	76	4
CONTRACT NO. 78838				
ILLINOIS FED. AID PROJECT JACKSON/PERRY				

SUMMARY OF QUANTITIES

CODE NUMBER	ITEM DESCRIPTION	UNIT	TOTAL QUANTITY	COUNTY:	JACKSON	JACKSON	PERRY	PERRY	JACKSON	JACKSON
				ROUTE:	US 51	US 51	US 51	US 51	US 51	US 51
				FUNDING:	80% FED 20% STATE	90% FED 10% STATE	80% FED 20% STATE	90% FED 10% STATE	80% FED 20% DESOTO	80% FED 20% ELKVILLE
LOCATION:		RURAL	RURAL	RURAL	RURAL	RURAL	RURAL	RURAL	RURAL	
		ROADWAY	ROADWAY	ROADWAY	ROADWAY	ROADWAY	ROADWAY	ROADWAY	ROADWAY	
		0005	0021	0005	0021	0005	0021	0005	0005	
20200600	EXCAVATING AND GRADING EXISTING SHOULDER	UNIT	1,539			1,201		338		
40600290	BITUMINOUS MATERIALS (TACK COAT)	POUND	241,768	173,782	13,323	47,636	2,801	1,934	2,292	
40600990	TEMPORARY RAMP	SQ YD	871	576	182	113				
40602970	HOT-MIX ASPHALT BINDER COURSE, IL-9.5FG, N70	TON	18,077	18,077						
40603085	HOT-MIX ASPHALT BINDER COURSE, IL-19.0, N70	TON	2,576			2,576				
40604062	HOT-MIX ASPHALT SURFACE COURSE, IL-9.5, MIX "D", N70	TON	29,730	21,720		7,215		363	432	
42400800	DETECTABLE WARNINGS	SQ FT	50	50						
44000155	HOT-MIX ASPHALT SURFACE REMOVAL, 1 1/2"	SQ YD	74,817	120		65,312		4,292	5,093	
44000160	HOT-MIX ASPHALT SURFACE REMOVAL, 2 3/4"	SQ YD	271,295	257,298	13,997					
44000164	HOT-MIX ASPHALT SURFACE REMOVAL, 3 3/4"	SQ YD	20,270			20,270				
44000500	COMBINATION CURB AND GUTTER REMOVAL	FOOT	40	40						
44000600	SIDEWALK REMOVAL	SQ FT	499	499						
44201423	CLASS C PATCHES, TYPE I, 16 INCH	SQ YD	20	20						
44201427	CLASS C PATCHES, TYPE II, 16 INCH	SQ YD	4,174	3,868		306				

REV. - MS

MODEL: Default
 FILE: M:\GIS\Projects\GIS\Projects\DOT\Office\District 9\Project\78838\CADD\Sheet\0578838-Plan_Sheets.dgn

USER NAME = handyc	DESIGNED -	REVISED -	STATE OF ILLINOIS DEPARTMENT OF TRANSPORTATION	SUMMARY OF QUANTITIES				F.A.P. RTE.	SECTION	COUNTY	TOTAL SHEETS	SHEET NO.
PLOT SCALE = 100.0000' / in.	DRAWN -	REVISED -		322	4,3,2,1(RS-6)	JACKSON/PERRY	76	5				
PLOT DATE = 6/7/2021	CHECKED -	REVISED +		SCALE: SHEET OF SHEETS STA. TO STA.				CONTRACT NO. 78838				
	DATE -	REVISED +						ILLINOIS FED. AID PROJECT				

SUMMARY OF QUANTITIES - CONT

COUNTY:	JACKSON	JACKSON	PERRY	PERRY	JACKSON	JACKSON
ROUTE:	US 51	US 51	US 51	US 51	US 51	US 51
FUNDING:	80% FED 20% STATE	90% FED 10% STATE	80% FED 20% STATE	90% FED 10% STATE	80% FED 20% DESOTO	80% FED 20% ELKVILLE
LOCATION:	RURAL	RURAL	RURAL	RURAL	RURAL	RURAL
	ROADWAY	ROADWAY	ROADWAY	ROADWAY	ROADWAY	ROADWAY
	0005	0021	0005	0021	0005	0005

CODE NUMBER	ITEM DESCRIPTION	UNIT	TOTAL QUANTITY	0005	0021	0005	0021	0005	0005
44201431	CLASS C PATCHES, TYPE III, 16 INCH	SQ YD	959	876		83			
44201433	CLASS C PATCHES, TYPE IV, 16 INCH	SQ YD	1,849	1,662		187			
44213204	TIE BARS 3/4"	EACH	18	18					
48102100	AGGREGATE WEDGE SHOULDER, TYPE B	TON	1,673		642		1,031		
48203029	HOT-MIX ASPHALT SHOULDERS, 8"	SQ YD	45,272		32,829		12,443		
48203100	HOT-MIX ASPHALT SHOULDERS	TON	1,693		1,693				
60605000	COMBINATION CONCRETE CURB AND GUTTER, TYPE B-6.24	FOOT	58	58					
* 63000001	STEEL PLATE BEAM GUARDRAIL, TYPE A, 6 FOOT POSTS	FOOT	850	850					
* 63000370	LONG-SPAN GUARDRAIL OVER CULVERT, 25 FT SPAN	FOOT	50			50			
* 63100085	TRAFFIC BARRIER TERMINAL, TYPE 6	EACH	2	2					
* 63100167	TRAFFIC BARRIER TERMINAL, TYPE 1 (SPECIAL) TANGENT	EACH	11	11					
* 63100169	TRAFFIC BARRIER TERMINAL, TYPE 1 (SPECIAL) FLARED	EACH	1	1					
63200310	GUARDRAIL REMOVAL	FOOT	671	671					
64200108	SHOULDER RUMBLE STRIPS, 8 INCH	FOOT	108,532		102,662		5,870		
64300370	IMPACT ATTENUATORS (FULLY REDIRECTIVE, WIDE), TEST LEVEL 3	EACH	1	1					

* SPECIALTY ITEM

MODEL: Default
 FILE NAME: p:\mhammond.dwg
 PROJECT: 78838-CAAD-Data-CAD-Project-07-78838-Plan_Sheets.dwg
 OFFICE: District 9
 PLOT DATE: 6/7/2021

USER NAME = handycr	DESIGNED -	REVISED -
PLOT SCALE = 100,0000' / in.	DRAWN -	REVISED -
PLOT DATE = 6/7/2021	CHECKED -	REVISED -
	DATE -	REVISED -

**STATE OF ILLINOIS
DEPARTMENT OF TRANSPORTATION**

SUMMARY OF QUANTITIES

SCALE: SHEET OF SHEETS STA. TO STA.

F.A.P. RTE.	SECTION	COUNTY	TOTAL SHEETS	SHEET NO.
322	4,3,2,1(RS-6)	JACKSON/PERRY	76	6
CONTRACT NO. 78838			ILLINOIS FED. AID PROJECT	

SUMMARY OF QUANTITIES - CONT

COUNTY:	JACKSON	JACKSON	PERRY	PERRY	JACKSON	JACKSON
ROUTE:	US 51	US 51	US 51	US 51	US 51	US 51
FUNDING:	80% FED 20% STATE	90% FED 10% STATE	80% FED 20% STATE	90% FED 10% STATE	80% FED 20% DESOTO	80% FED 20% ELKVILLE
LOCATION:	RURAL	RURAL	RURAL	RURAL	RURAL	RURAL
	ROADWAY	ROADWAY	ROADWAY	ROADWAY	ROADWAY	ROADWAY
	0005	0021	0005	0021	0005	0005

CODE NUMBER	ITEM DESCRIPTION	UNIT	TOTAL QUANTITY	ROADWAY 0005	ROADWAY 0021	ROADWAY 0005	ROADWAY 0021	ROADWAY 0005	ROADWAY 0005
67000400	ENGINEER'S FIELD OFFICE, TYPE A	CAL MO	15	6	6	1.5	1.5		
67100100	MOBILIZATION	L SUM	1	0.4	0.4	0.1	0.1		
70100460	TRAFFIC CONTROL AND PROTECTION, STANDARD 701306	L SUM	1	0.9		0.1			
70100500	TRAFFIC CONTROL AND PROTECTION, STANDARD 701326	L SUM	1		0.9		0.1		
70100600	TRAFFIC CONTROL AND PROTECTION, STANDARD 701336	L SUM	1	0.9		0.1			
70102625	TRAFFIC CONTROL AND PROTECTION, STANDARD 701606	L SUM	1			1			
70102632	TRAFFIC CONTROL AND PROTECTION, STANDARD 701602	L SUM	1			1			
70102635	TRAFFIC CONTROL AND PROTECTION, STANDARD 701701	L SUM	1	0.3		0.7			
70102640	TRAFFIC CONTROL AND PROTECTION, STANDARD 701801	L SUM	1	1					
70107025	CHANGEABLE MESSAGE SIGN	CAL DA	28	14		14			
70300100	SHORT TERM PAVEMENT MARKING	FOOT	28,275	22,994		5,281			
70300150	SHORT TERM PAVEMENT MARKING REMOVAL	SQ FT	14,138	11,497		2,641			
70300210	TEMPORARY PAVEMENT MARKING LETTERS AND SYMBOLS	SQ FT	1,264	185		1,079			
70300240	TEMPORARY PAVEMENT MARKING - LINE 6"	FOOT	289,733	212,828		76,905			
70300260	TEMPORARY PAVEMENT MARKING - LINE 12"	FOOT	3,030	2,600		430			

MODEL: Default
 FILE NAME: P:\pub\amr\room.dwg
 PLOT DATE: 6/7/2021
 PROJECT: 78838 CAD Data
 OFFICE: District 9
 SHEET: 7

USER NAME = handyc	DESIGNED -	REVISED -
PLOT SCALE = 100,0000' / in.	DRAWN -	REVISED -
PLOT DATE = 6/7/2021	CHECKED -	REVISED -
	DATE -	REVISED -

STATE OF ILLINOIS
DEPARTMENT OF TRANSPORTATION

SUMMARY OF QUANTITIES

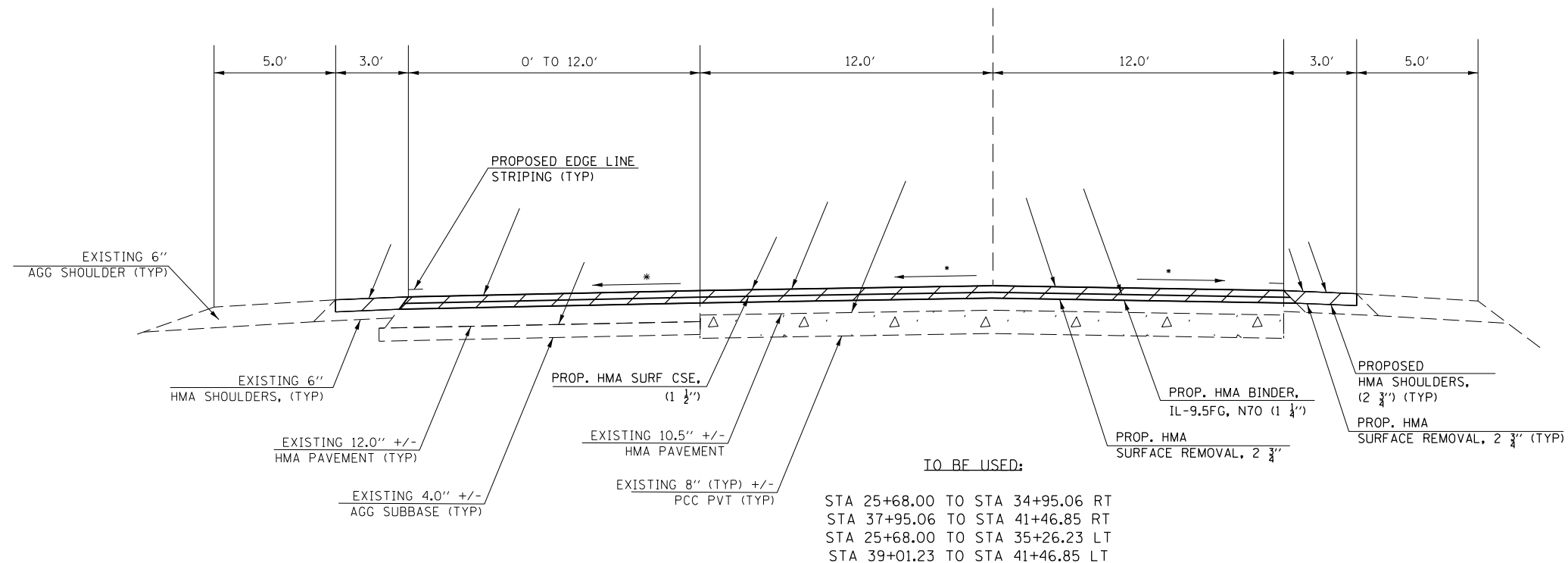
SCALE: SHEET OF SHEETS STA. TO STA.

F.A.P RTE.	SECTION	COUNTY	TOTAL SHEETS	SHEET NO.
322	4,3,2,1(RS-6)	JACKSON/PERRY	76	7
CONTRACT NO. 78838				
ILLINOIS FED. AID PROJECT				

TYPICAL SECTION

N.T.S

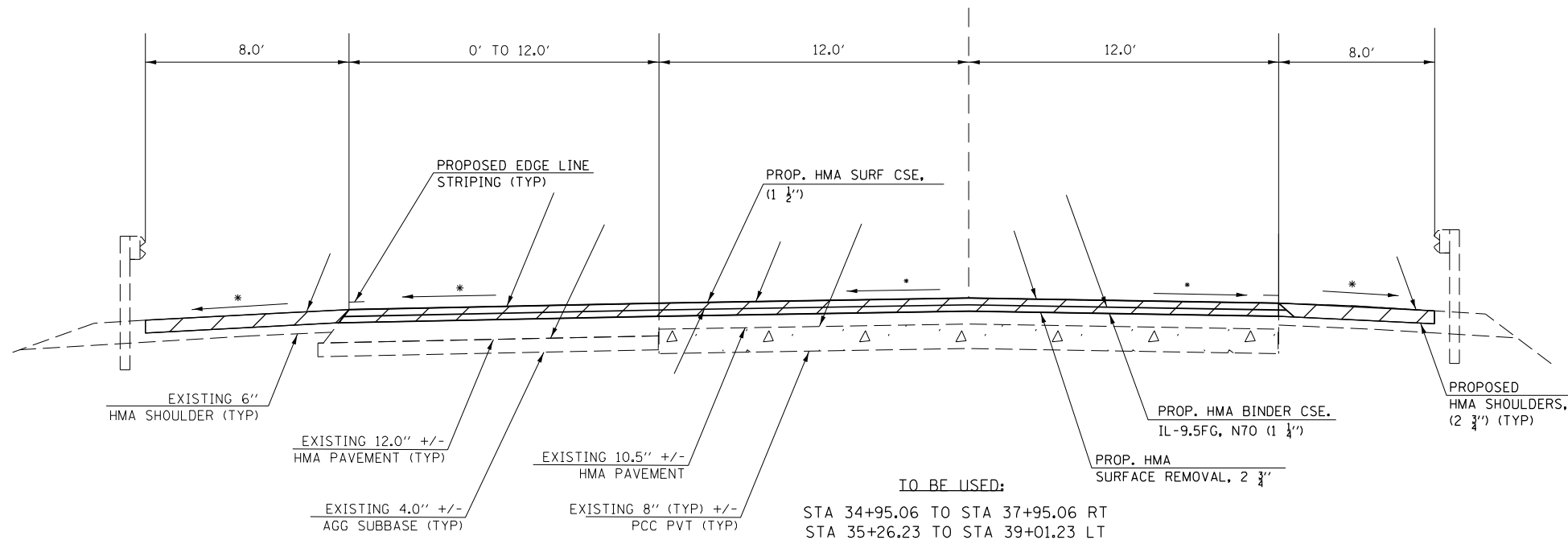
US 51
FAP 322



TYPICAL SECTION

N.T.S

US 51
FAP 322



* MATCH EXISTING SLOPE

MODEL: Default
 FILE NAME: p:\pub\amr\room.dwg
 ILLINOIS DOT
 PROJECT: 78838
 OFFICE: DISTRICT 9
 SHEET: 78838-10n

USER NAME = handycr	DESIGNED -	REVISED -
	DRAWN -	REVISED -
PLOT SCALE = 100,0000' / in.	CHECKED -	REVISED -
PLOT DATE = 5/6/2021	DATE -	REVISED -

**STATE OF ILLINOIS
DEPARTMENT OF TRANSPORTATION**

**US 51
MAINLINE TYPICAL SECTIONS**

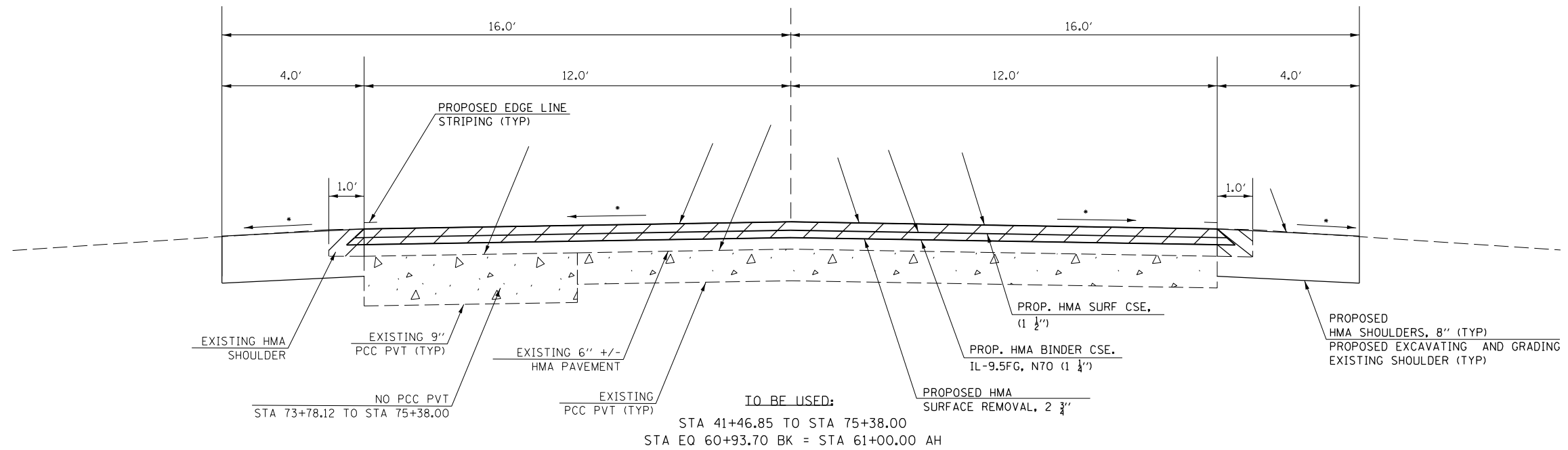
SCALE: SHEET OF SHEETS STA. TO STA.

F.A.P. RTE.	SECTION	COUNTY	TOTAL SHEETS	SHEET NO.
322	4,3,2,1(RS-6)	JACKSON/PERRY	76	9
CONTRACT NO. 78838				
ILLINOIS FED. AID PROJECT				

TYPICAL SECTION

N.T.S

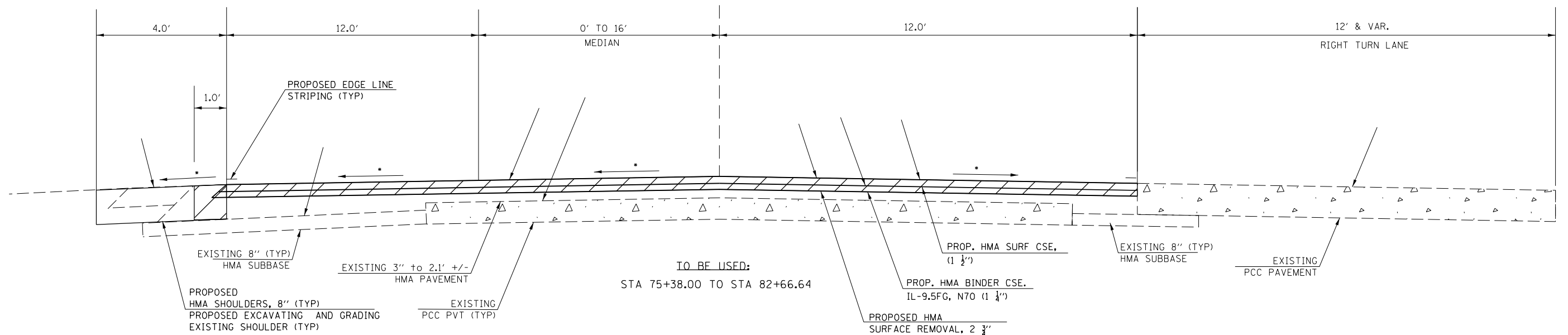
US 51
FAP 322



TYPICAL SECTION

N.T.S

US 51
FAP 322



* MATCH EXISTING SLOPE

MODEL: Default
 FILE NAME: \\p1\harcourt\p1\p1\DOT\Documents\DOT - Office\Drawings\9\Projects\78838\CADD\Drawings\9\78838\Fin_Sheets.dgn

USER NAME = handyrc	DESIGNED -	REVISED -
	DRAWN -	REVISED -
PLOT SCALE = 100,0000' / in.	CHECKED -	REVISED -
PLOT DATE = 5/6/2021	DATE -	REVISED -

**STATE OF ILLINOIS
DEPARTMENT OF TRANSPORTATION**

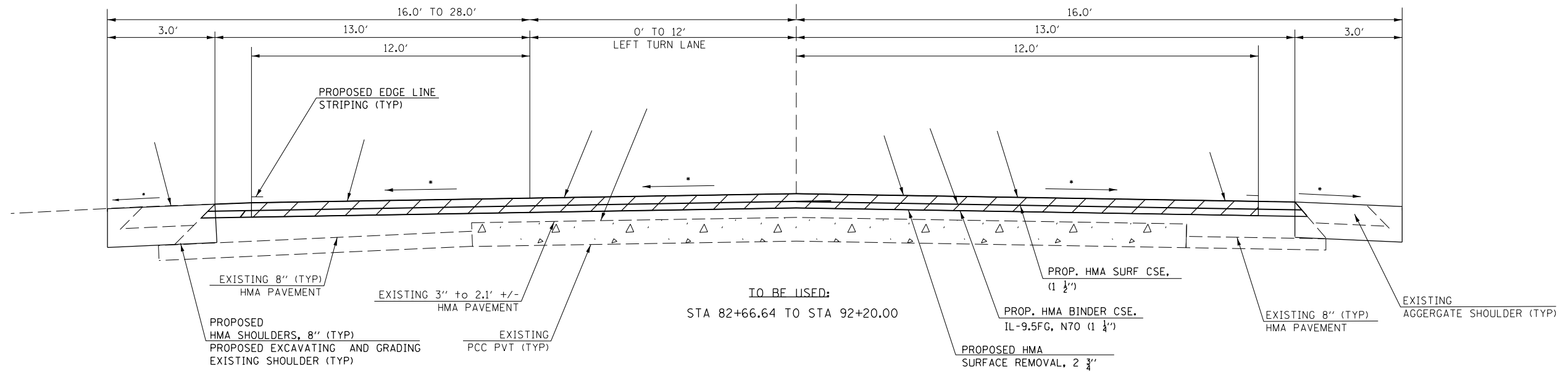
**US 51
MAINLINE TYPICAL SECTIONS**

SCALE: SHEET OF SHEETS STA. TO STA.

F.A.P. RTE.	SECTION	COUNTY	TOTAL SHEETS	SHEET NO.
322	4,3,2,1(RS-6)	JACKSON/PERRY	76	10
CONTRACT NO. 78838				
ILLINOIS FED. AID PROJECT				

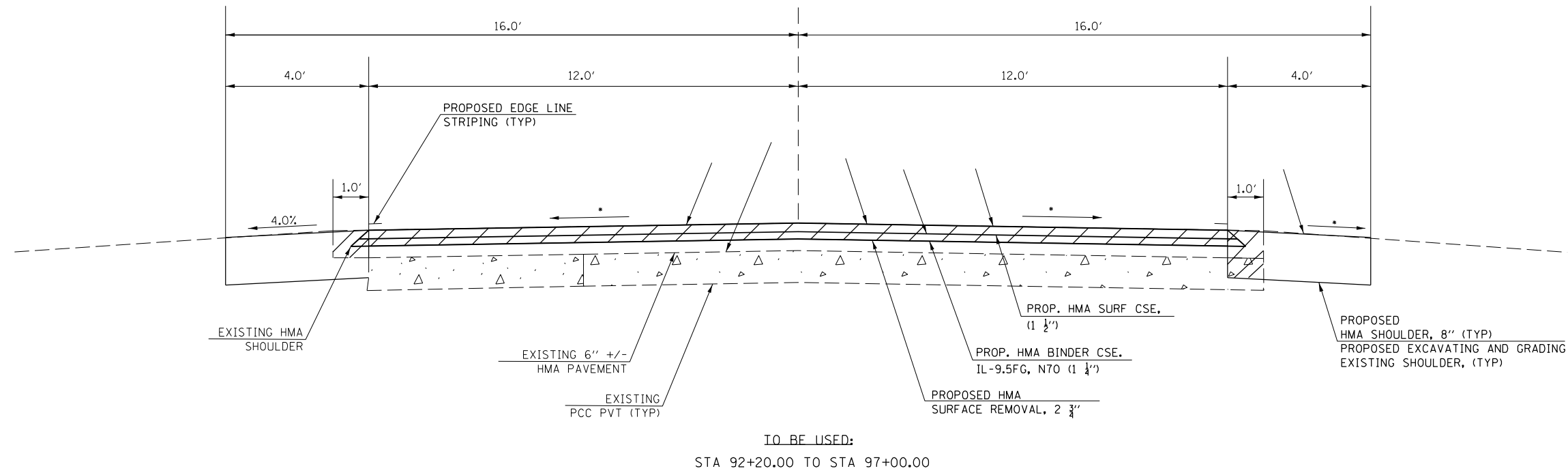
TYPICAL SECTION

N.T.S
 US 51
 FAP 322



TYPICAL SECTION

N.T.S
 US 51
 FAP 322



* MATCH EXISTING SLOPE

MODEL: Default
 FILE NAME: p:\data\mcr\mcr\p\p\DOT\Documents\DOT - Office\Drawings\9\Projects\78838\CADD\data\CADD\Drawings\78838\FIn_Sheets.dgn

USER NAME = handyrc	DESIGNED -	REVISED -
DRAWN -	REVISIONS -	
PLOT SCALE = 100,0000' / in.	CHECKED -	REVISED -
PLOT DATE = 5/6/2021	DATE -	REVISED -

**STATE OF ILLINOIS
 DEPARTMENT OF TRANSPORTATION**

**US 51
 MAINLINE TYPICAL SECTIONS**

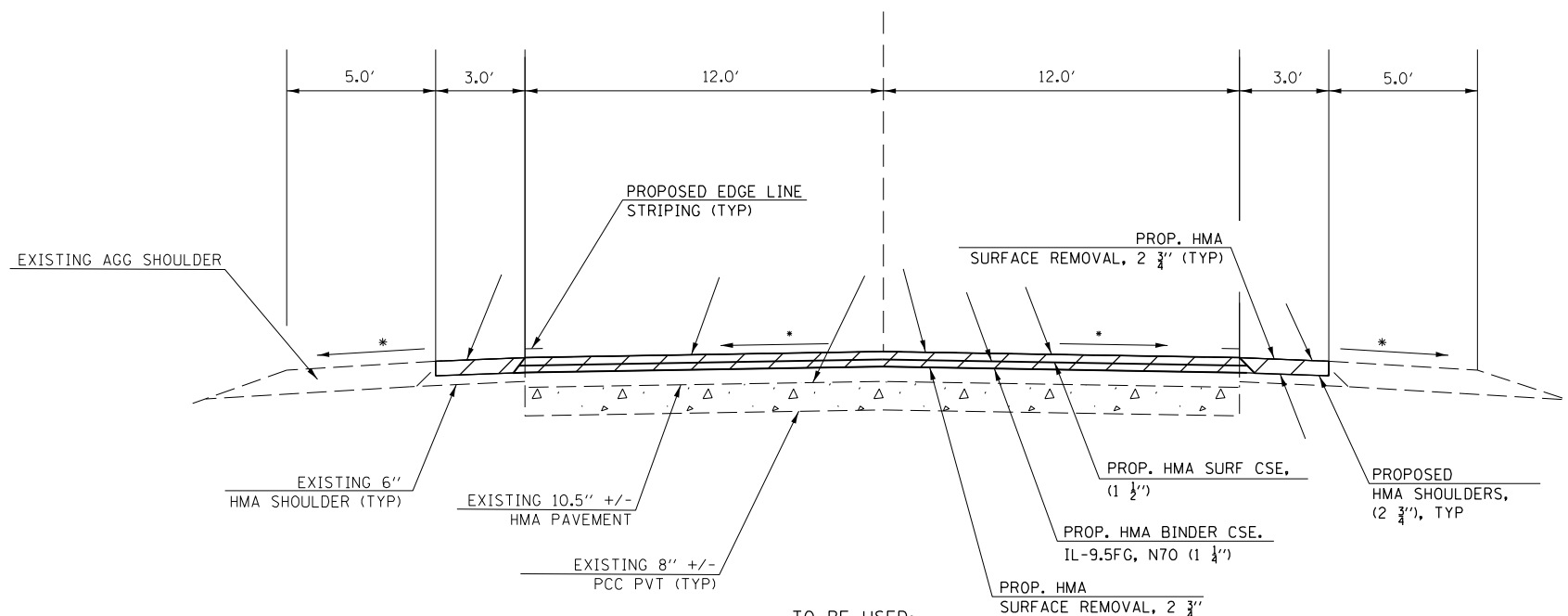
SCALE: SHEET OF SHEETS STA. TO STA.

F.A.P. RTE.	SECTION	COUNTY	TOTAL SHEETS	SHEET NO.
322	4,3,2,1(RS-6)	JACKSON/PERRY	76	11
CONTRACT NO. 78838				
ILLINOIS FED. AID PROJECT				

TYPICAL SECTION

N.T.S

US 51
FAP 322



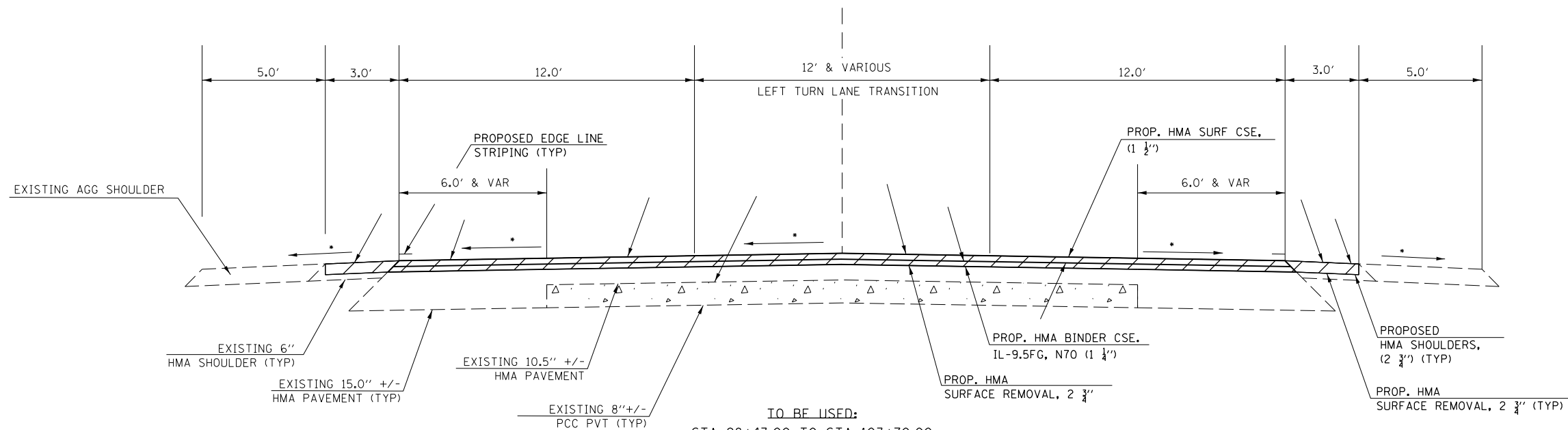
TO BE USED:

STA 97+00.00 TO STA 98+43.00	STA 313+60.00 TO STA 314+14.00
STA 110+84.00 TO STA 114+00.00	STA 324+51.00 TO STA 325+29.00
STA 150+33.00 TO STA 170+98.00	STA 329+54.00 TO STA 333+17.00
STA 181+38.00 TO STA 187+00.00	

TYPICAL SECTION

N.T.S

US 51
FAP 322



TO BE USED:
STA 98+43.00 TO STA 103+70.00

* MATCH EXISTING SLOPE

MODEL: Default
 FILE NAME: p:\pub\amr\room.dwt\illinois.gov\PIWDOT\Documents\IBDOT_Offices\District 9\Projects\78838\CADD\Drawings\9778838.dwg - Sheets.dgn

USER NAME = handycr	DESIGNED -	REVISED -
	DRAWN -	REVISED -
PLOT SCALE = 100,0000' / in.	CHECKED -	REVISED -
PLOT DATE = 5/6/2021	DATE -	REVISED -

**STATE OF ILLINOIS
DEPARTMENT OF TRANSPORTATION**

**US 51
MAINLINE TYPICAL SECTIONS**

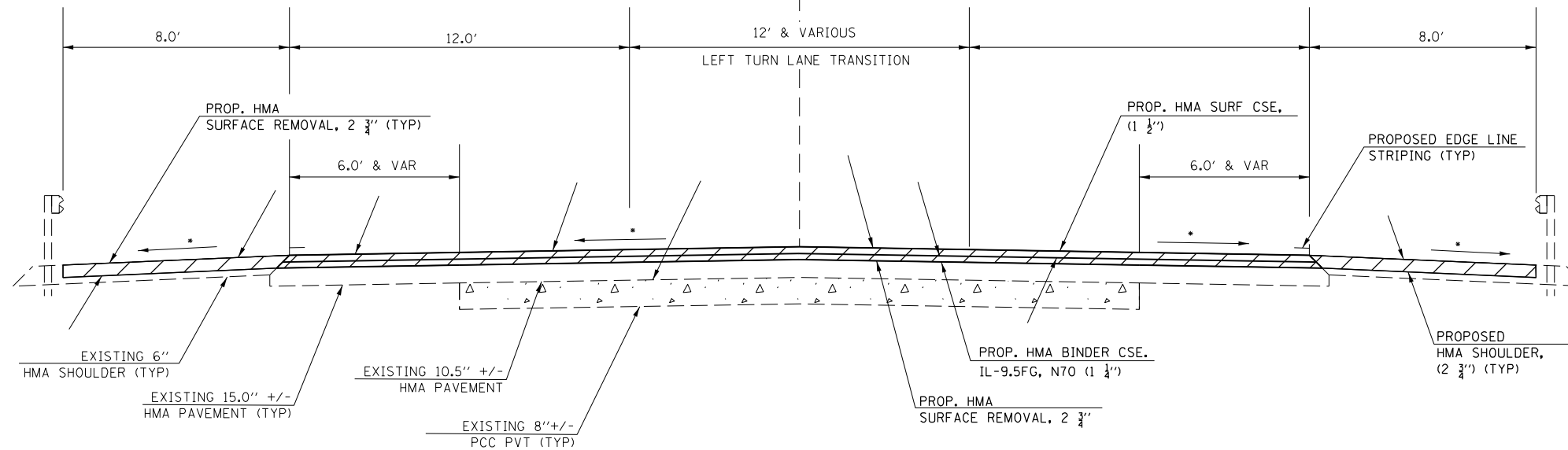
SCALE: SHEET OF SHEETS STA. TO STA.

F.A.P. RTE.	SECTION	COUNTY	TOTAL SHEETS	SHEET NO.
322	4,3,2,1(RS-6)	JACKSON/PERRY	76	12
CONTRACT NO. 78838				
ILLINOIS FED. AID PROJECT				

TYPICAL SECTION

N.T.S

US 51
FAP 322



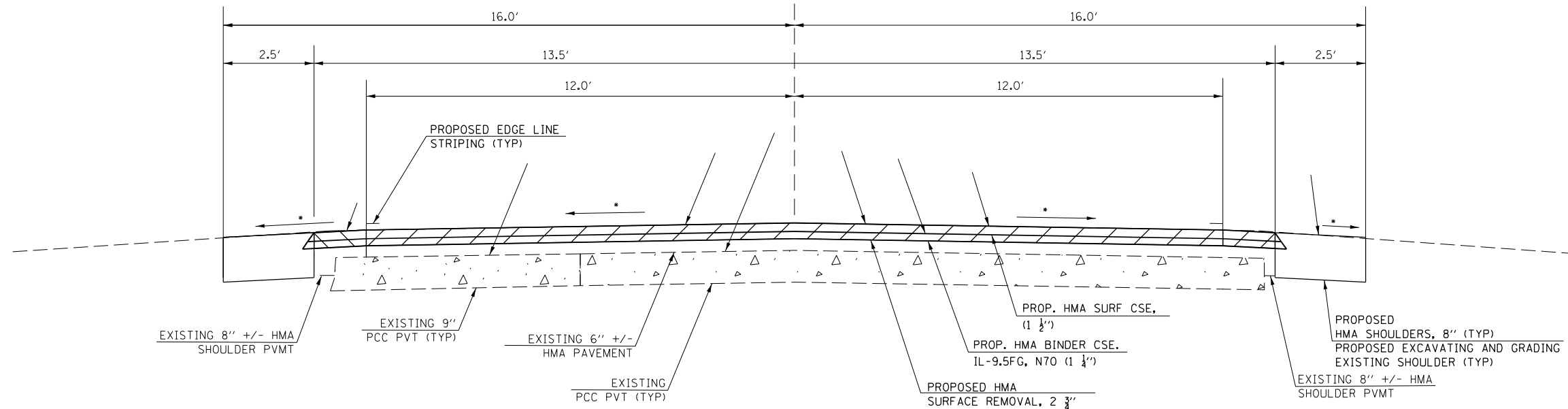
TO BE USED:

STA 103+70.00 TO STA 105+55.60 (LEFT SIDE 3FT HMA SHOULDER WITHOUT GUARDRAIL)
 STA 106+63.80 TO STA 110+84.00 STQ EQ 105+45.80 BK = STA 105+50.00 AH

TYPICAL SECTION

N.T.S

US 51
FAP 322



TO BE USED:

STA EQ 625+15.70 BK = STA. 625+00.00 AH	STA 114+00.00 TO STA 117+46.00	STA 595+20.00 TO STA 626+30.00
STA EQ 687+06.57 BK = STA 687+66.53 AH	STA 511+50.00 TO STA 516+30.00	STA 677+33.00 TO STA 680+35.00
STA EQ 782+56.00 BK = STA. 782+90.00 AH	STA 522+00.00 TO STA 532+85.00	STA 686+42.00 TO STA 755+40.00
803+62.00 (JACKSON/PERRY COUNTY LINE)	STA 538+10.00 TO STA 576+90.00	STA 772+61.77 TO STA 786+95.00
	STA 579+90.00 TO STA 592+20.00	STA 788+42.70 TO STA 803+62.00

NOTE:

(STA 535+05.10 TO STA 535+45.10) : CONCRETE PVMT / MILLED 1.5" & 1.5" SURFACE COURSE GAP SHOULDERS (SEE SHEET 24 FOR DETAILS)
 (STA 755+40.00 TO STA 756+20.00) GAP SN 039-2030

* MATCH EXISTING SLOPE

MODEL: Default
 FILE NAME: p:\pub\amr\amr\dot\illinois\dot\Office\Drawings\9\Projects\78838\CADD\Drawings\9\Projects\78838\Plan_Sheets.dgn

USER NAME = handycr	DESIGNED -	REVISED -
	DRAWN -	REVISED -
PLOT SCALE = 100,0000' / in.	CHECKED -	REVISED -
PLOT DATE = 5/6/2021	DATE -	REVISED -

**STATE OF ILLINOIS
DEPARTMENT OF TRANSPORTATION**

**US 51
MAINLINE TYPICAL SECTIONS**

SCALE: SHEET OF SHEETS STA. TO STA.

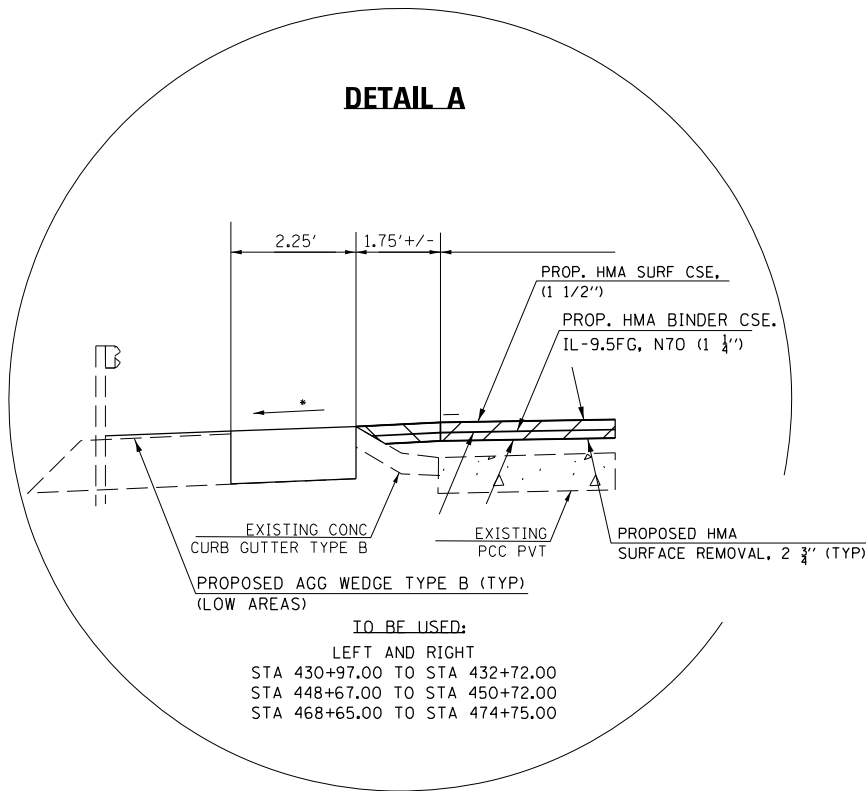
F.A.P. RTE.	SECTION	COUNTY	TOTAL SHEETS	SHEET NO.
322	4,3,2,1(RS-6)	JACKSON/PERRY	76	13
CONTRACT NO. 78838				
ILLINOIS FED. AID PROJECT				

TYPICAL SECTION

N.T.S

US 51
FAP 322

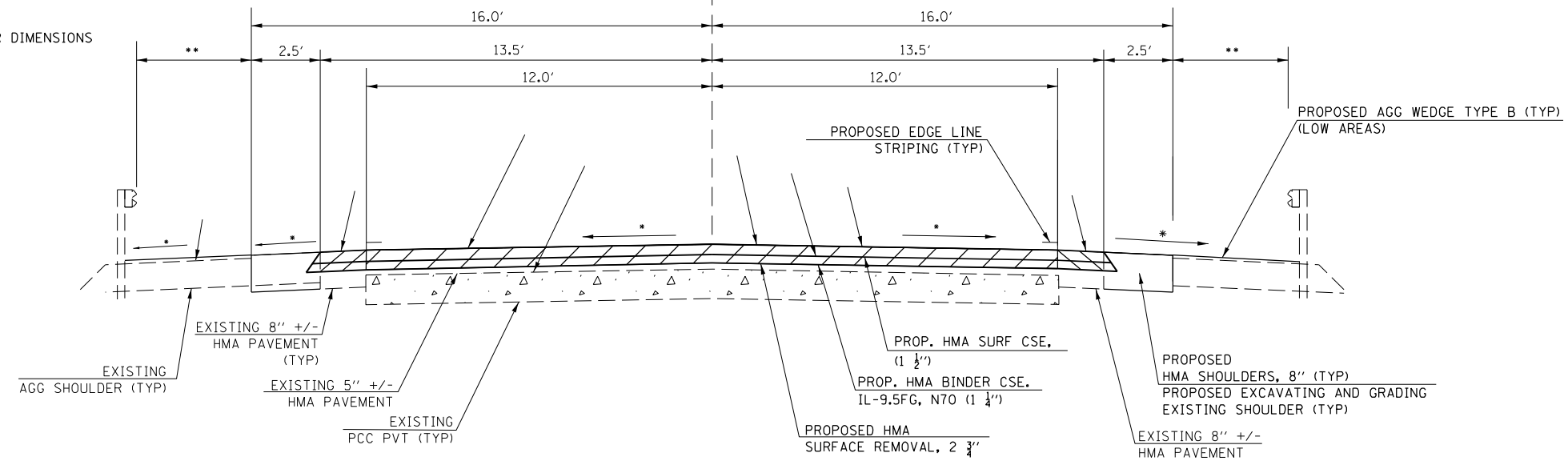
** SEE SHOULDER SCHEDULE NOTES FOR DIMENSIONS



DETAIL A

TO BE USED:

LEFT AND RIGHT
STA 430+97.00 TO STA 432+72.00
STA 448+67.00 TO STA 450+72.00
STA 468+65.00 TO STA 474+75.00



TO BE USED:

STA 117+46.00 TO STA 120+46.00	STA 533+75.00 TO STA 535+05.10
STA 302+21.00 TO STA 303+06.00	STA 535+45.10 TO STA 536+75.00
STA 427+66.00 TO STA 429+91.00	STA 576+90.00 TO STA 579+90.00
STA 430+97.00 TO STA 432+72.00	STA 592+20.00 TO STA 595+20.00
STA 448+67.00 TO STA 450+72.00	STA 863+97.10 TO STA 865+47.10
STA 468+65.00 TO STA 474+75.00	STA 865+72.90 TO STA 867+22.00

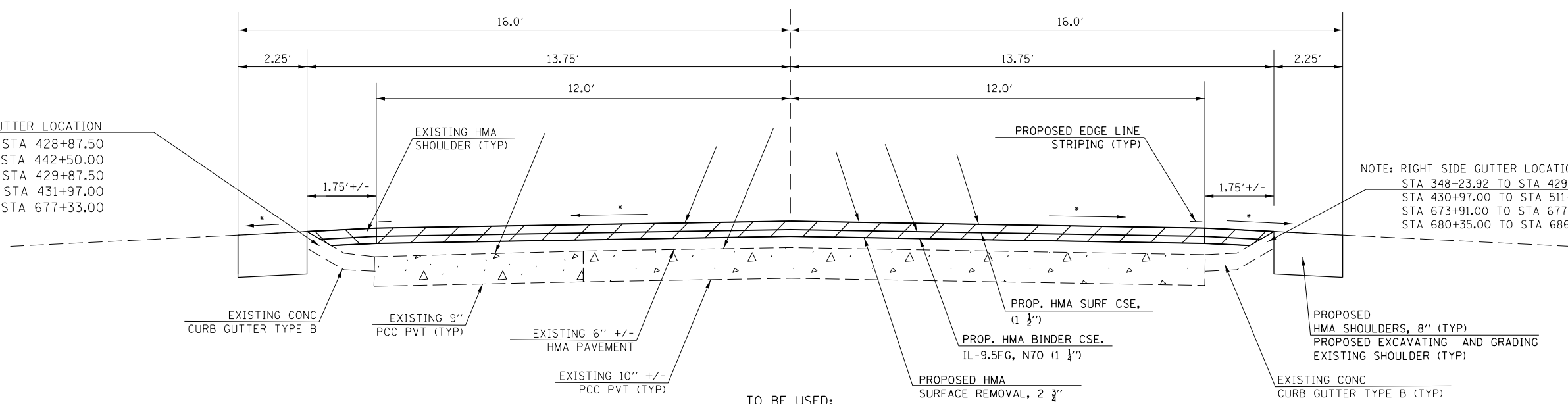
STA EQ 865+06.20 BK = STA. 865+00.00 AH

*** EXISTING TYPE B GUTTER
WITHIN PROPOSED HMA SHOULDER
SEE DETAIL A

US 51
FAP 322

NOTE: LEFT SIDE GUTTER LOCATION
STA 419+00.00 TO STA 428+87.50
STA 431+97.00 TO STA 442+50.00
STA 428+87.50 TO STA 429+87.50
STA 430+97.00 TO STA 431+97.00
STA 674+12.00 TO STA 677+33.00

NOTE: RIGHT SIDE GUTTER LOCATION
STA 348+23.92 TO STA 429+87.50
STA 430+97.00 TO STA 511+50.00
STA 673+91.00 TO STA 677+15.00
STA 680+35.00 TO STA 686+42.00



TO BE USED:

STA 120+46.00 TO STA 150+33.00	STA 433+97.00 TO STA 448+67.00	STA EQ 214+41.70 BK = STA. 214+74.80 AH
STA 201+31.60 TO STA 268+12.00	STA 450+72.00 TO STA 468+65.00	STA EQ 313+06.50 BK = STA 313+00.00 AH
STA 299+45.00 TO STA 300+58.00	STA 474+75.00 TO STA 500+17.89	STA EQ 500+17.89 BK = STA 508+10.35 AH
STA 304+75.00 TO STA 313+60.00	STA 508+10.35 TO STA 511+50.00	
STA 348+23.92 TO STA 427+66.00	STA 674+12.00 TO STA 677+33.00	
	STA 680+35.00 TO STA 686+42.00	

* MATCH EXISTING SLOPE

MODEL: Default
FILE NAME: p:\data\mainroom.dwg
PROJECT: 78838 CAD\DATA\CAD\Drawings\DOT\Office\Drawings\9\Projects\78838 CAD\DATA\CAD\Drawings\DOT\78838\Plan_Sheets.dwg

USER NAME = handycr	DESIGNED -	REVISED -
DRAWN -	REVISED -	
PLOT SCALE = 100,0000' / in.	CHECKED -	REVISED -
PLOT DATE = 5/6/2021	DATE -	REVISED -

**STATE OF ILLINOIS
DEPARTMENT OF TRANSPORTATION**

**US 51
MAINLINE TYPICAL SECTIONS**

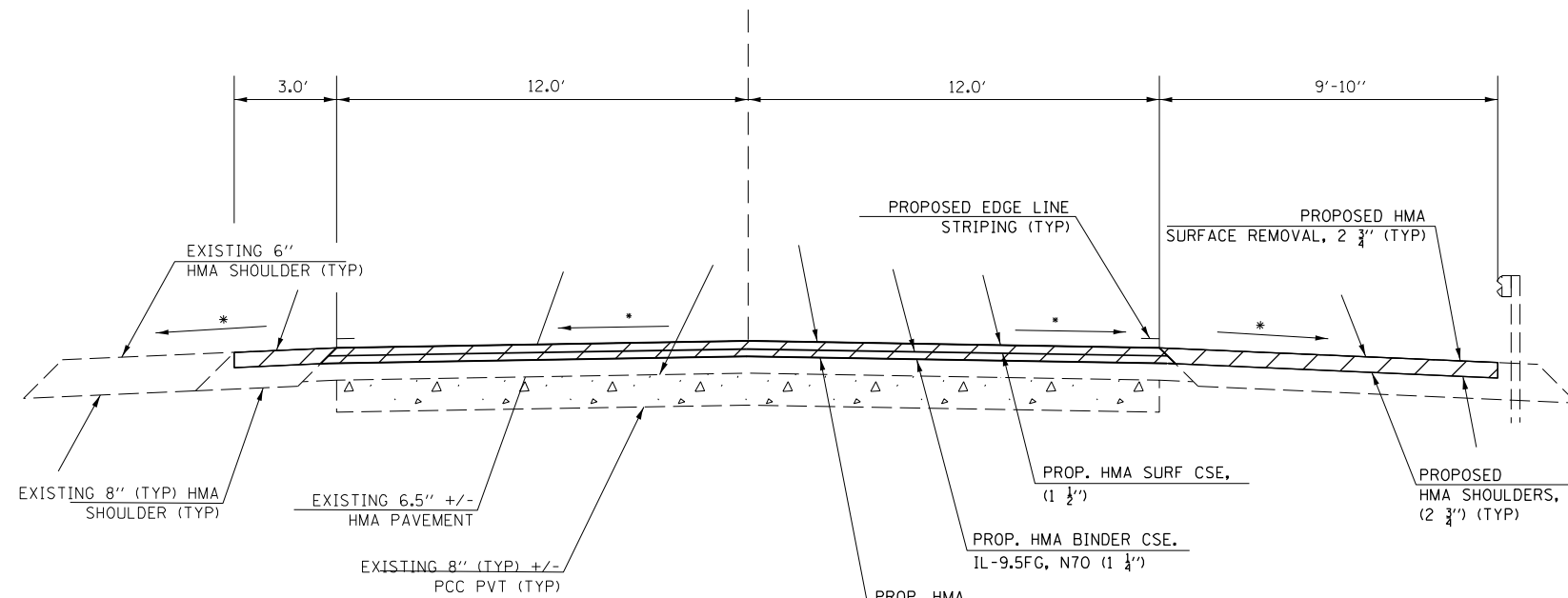
SCALE: SHEET OF SHEETS STA. TO STA.

F.A.P. RTE.	SECTION	COUNTY	TOTAL SHEETS	SHEET NO.
322	4,3,2,1(RS-6)	JACKSON/PERRY	76	14
CONTRACT NO. 78838				
ILLINOIS FED. AID PROJECT				

TYPICAL SECTION

N.T.S

US 51
FAP 322



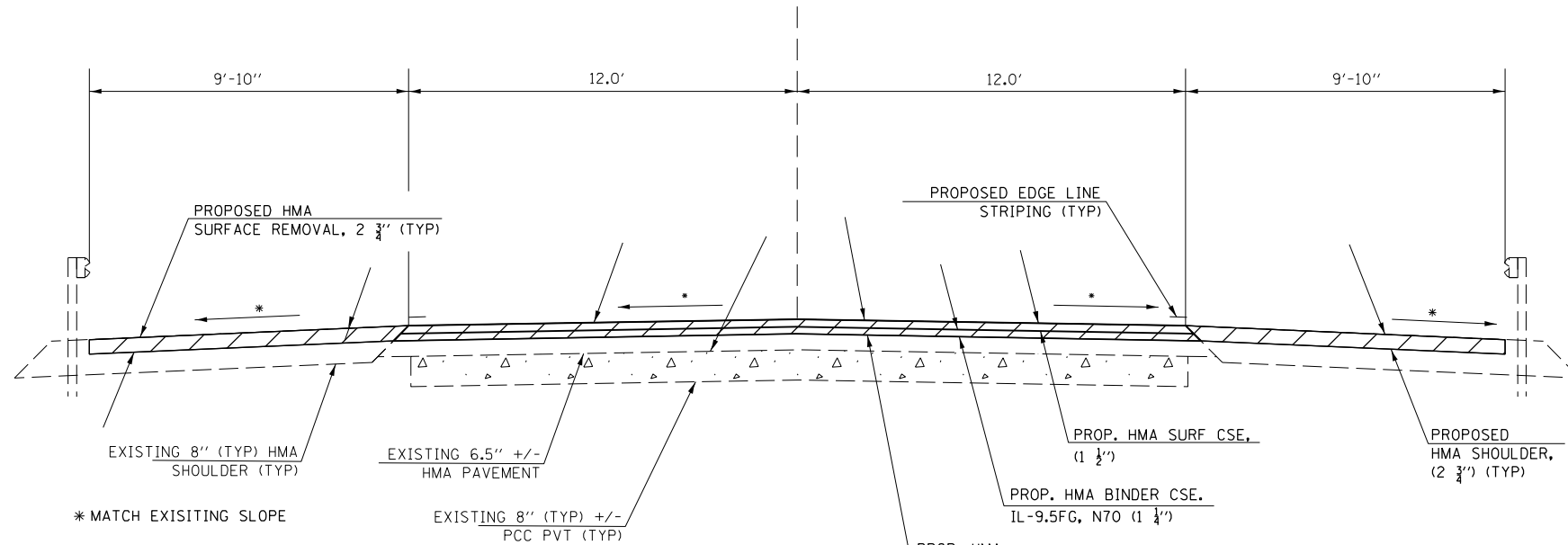
TO BE USED:
 STA 170+98.00 TO STA 173+30.00
 STA 187+00.00 TO STA 201+31.60
 STA 196+36.60 TO STA 200+71.60 (GAP RIGHT SHOULDER)

* MATCH EXISITING SLOPE
 STA EQ 195+59.60 BK = STA. 195+55.58 AH

TYPICAL SECTION

N.T.S

US 51
FAP 322



* MATCH EXISITING SLOPE

TO BE USED:
 STA 173+30.00 TO STA 174+28.50
 STA 177+91.75 TO STA 179+48.00

(GAP SN 039-0065) STA 174+28.50 TO STA 177+91.75

* MATCH EXISITING SLOPE

MODEL: Default
 FILE NAME: p:\pub\amr\room.dwg
 ILLINOIS DOT
 OFFICE: District 9
 PROJECT: 78838
 CAD: DataCAD
 PROJECT: 0778838.dwg
 SHEET: 60

USER NAME = handycr	DESIGNED -	REVISED -
PLOT SCALE = 100,0000' / in.	DRAWN -	REVISED -
PLOT DATE = 5/6/2021	CHECKED -	REVISED -
	DATE -	REVISED -

**STATE OF ILLINOIS
DEPARTMENT OF TRANSPORTATION**

**US 51
MAINLINE TYPICAL SECTIONS**

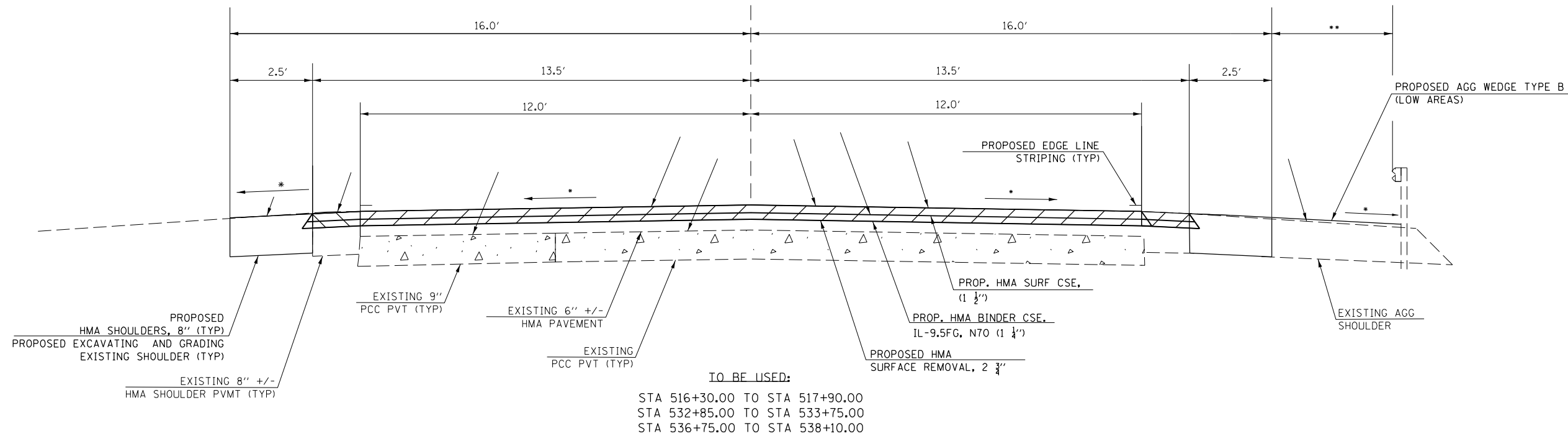
SCALE: SHEET OF SHEETS STA. TO STA.

F.A.P. RTE.	SECTION	COUNTY	TOTAL SHEETS	SHEET NO.
322	4,3,2,1(RS-6)	JACKSON/PERRY	76	15
CONTRACT NO. 78838				
ILLINOIS FED. AID PROJECT				

TYPICAL SECTION

N.T.S

US 51
FAP 322

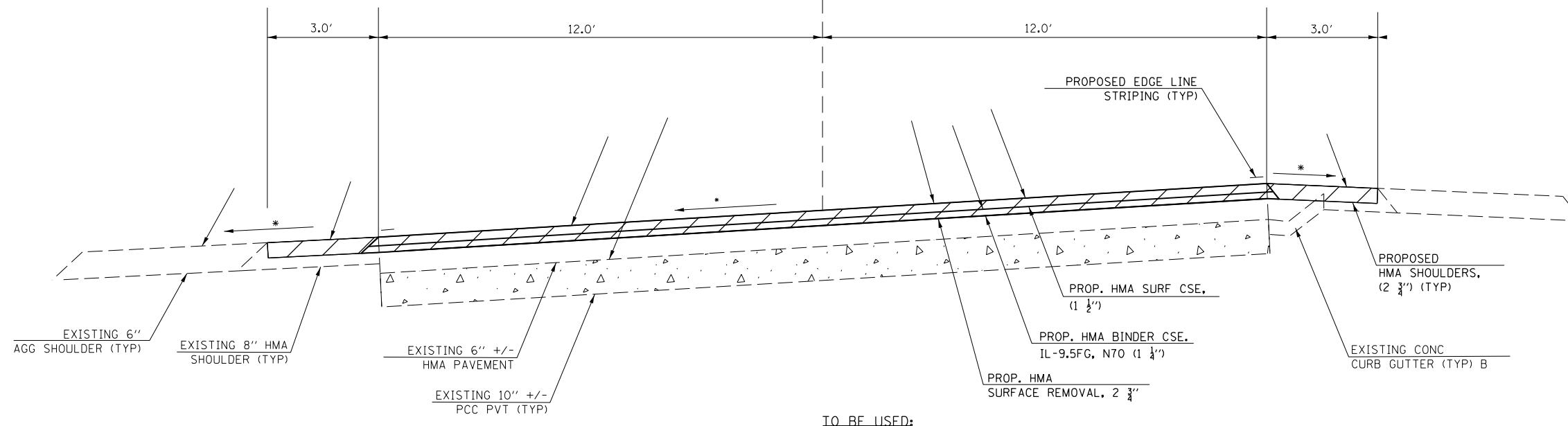


TO BE USED:
 STA 516+30.00 TO STA 517+90.00
 STA 532+85.00 TO STA 533+75.00
 STA 536+75.00 TO STA 538+10.00

TYPICAL SECTION

N.T.S

US 51
FAP 322



TO BE USED:
 RT & LT STA 314+14.00 TO STA 314+64.00
 RT STA 314+64.00 TO STA 329+54.00
 RT & LT STA 329+54.00 TO STA 333+26.00
 LT STA 314+64.00 TO STA 329+54.00
 LT & RT STA 333+26.00 TO STA 348+24.00

* MATCH EXISTING SLOPE
 ** SEE SHOULDER SCHEDULE FOR DIMENSIONS

MODEL: Default
 FILE NAME: p:\data\mason.dwg
 PLOT DATE: 5/6/2021
 PROJECT: 78838
 SHEET: 17

USER NAME = handyrc	DESIGNED -	REVISED -
PLOT SCALE = 100,0000' / in.	DRAWN -	REVISED -
PLOT DATE = 5/6/2021	CHECKED -	REVISED -
	DATE -	REVISED -

**STATE OF ILLINOIS
DEPARTMENT OF TRANSPORTATION**

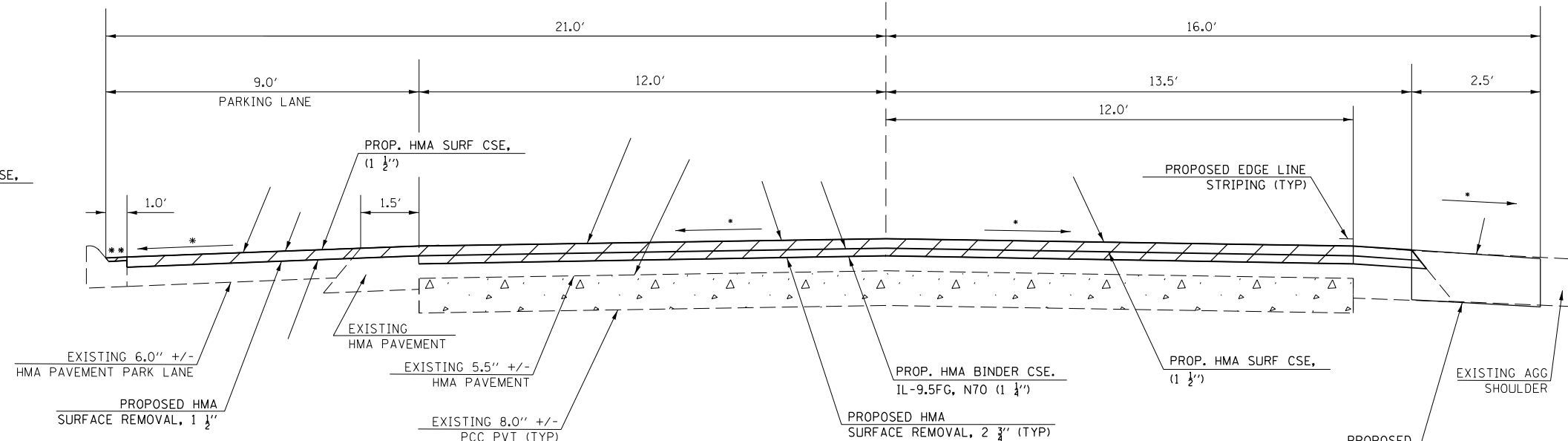
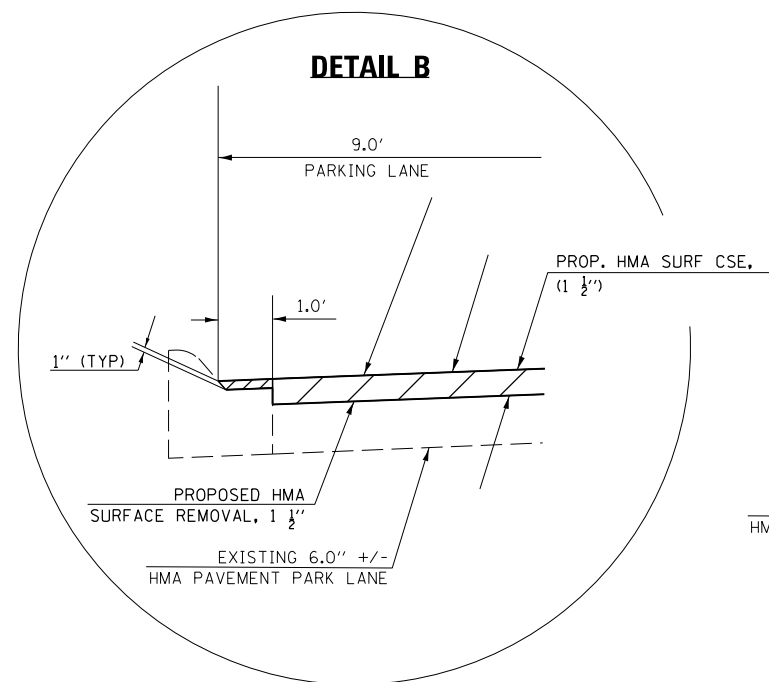
**US 51
MAINLINE TYPICAL SECTIONS**

SCALE: SHEET OF SHEETS STA. TO STA.

F.A.P. RTE.	SECTION	COUNTY	TOTAL SHEETS	SHEET NO.
322	4,3,2,1(RS-6)	JACKSON/PERRY	76	17
CONTRACT NO. 78838				
ILLINOIS FED. AID PROJECT				

TYPICAL SECTION

N.T.S
 US 51
 FAP 322
 VILLAGE OF DESOTO

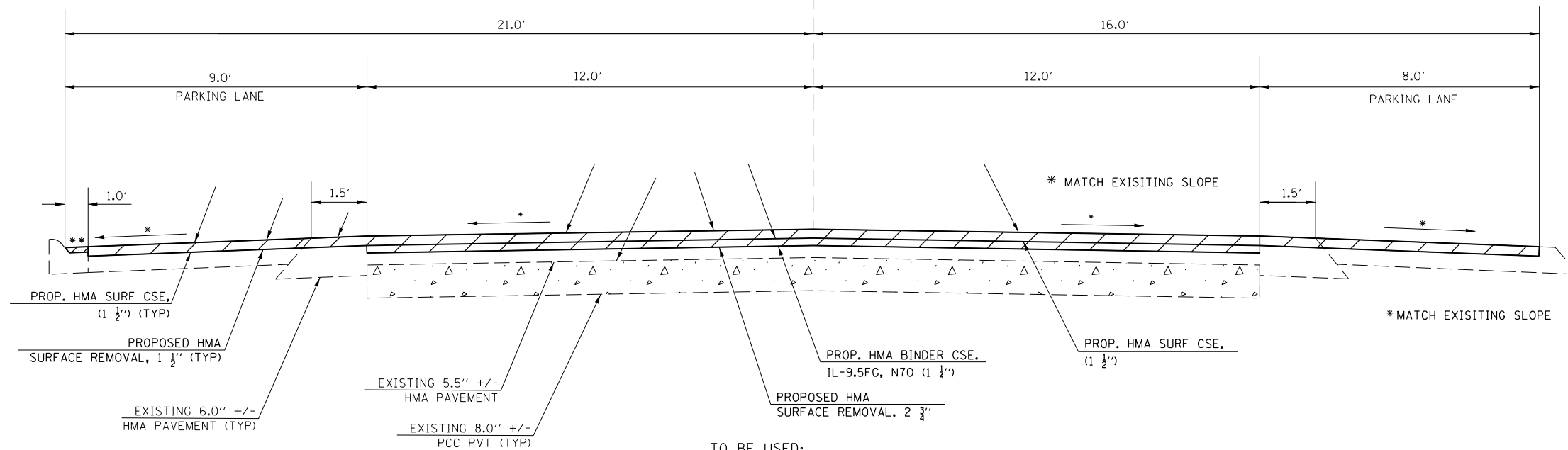


TO BE USED:
 STA 268+12.00 TO STA 279+28.00
 STA 295+38.00 TO STA 299+58.00

•• MILL EXISTING HMA IN GUTTER FLAG
 SEE DETAIL B ON THIS SHEET

TYPICAL SECTION

N.T.S
 US 51
 FAP 322
 VILLAGE OF DESOTO



TO BE USED:
 STA 279+28.00 TO STA 281+53.00
 •• MILL EXISTING HMA IN GUTTER FLAG
 SEE DETAIL B ON THIS SHEET

* MATCH EXISTING SLOPE

MODEL: Default
 FILE NAME: \\p01\harcam\room\dat\illinc\gov\p\w\dot\Documents\DOT_Offices\District 9\Projects\78838\CADD\Drawings\9778838.dwg
 SHEET: 18 of 76

USER NAME = handycr	DESIGNED -	REVISED -
DRAWN -	REVISED -	
PLOT SCALE = 100,0000' / in.	CHECKED -	REVISED -
PLOT DATE = 5/6/2021	DATE -	REVISED -

**STATE OF ILLINOIS
 DEPARTMENT OF TRANSPORTATION**

**US-51 (VILLAGE OF DESOTO)
 MAINLINE TYPICAL SECTIONS**

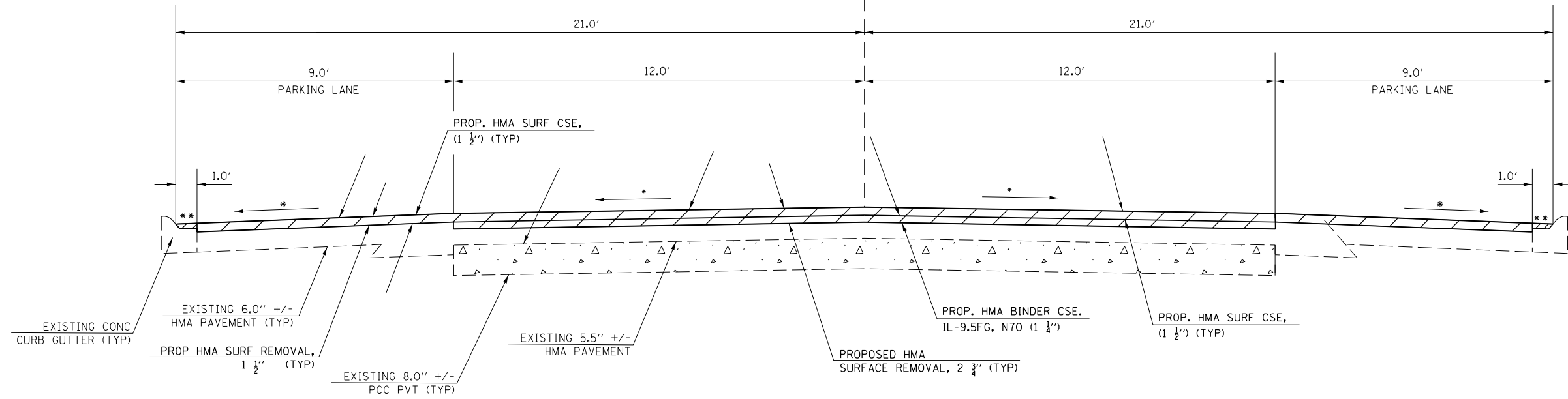
SCALE: SHEET OF SHEETS STA. TO STA.

F.A.P. RTE.	SECTION	COUNTY	TOTAL SHEETS	SHEET NO.
322	4,3,2,1(RS-6)	JACKSON/PERRY	76	18
CONTRACT NO. 78838				
ILLINOIS FED. AID PROJECT				

TYPICAL SECTION

N.T.S

US 51
FAP 322
VILLAGE OF DESOTO



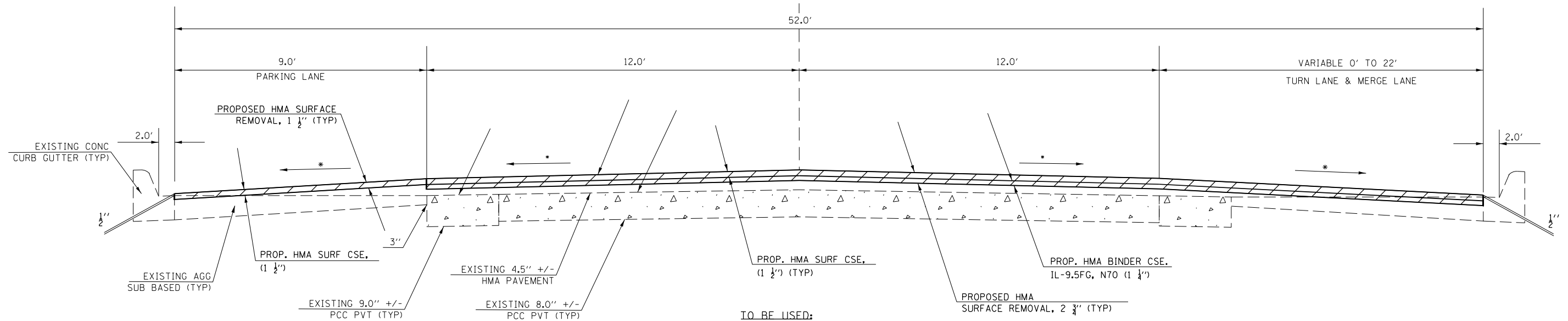
TO BE USED:

STA 281+53.00 TO STA 289+70.00
 ** MILL EXISTING HMA IN GUTTER FLAG
 SEE DETAIL B ON SHEET 18

TYPICAL SECTION

N.T.S

US 51
FAP 322
VILLAGE OF DESOTO



TO BE USED:

STA 289+70.00 TO STA 295+38.00

* MATCH EXISTING SLOPE

MODEL: Default
 FILE NAME: p:\pub\harronm.dwt\illinois\dot\Documents\DOT - Office\Drawings\9\Projects\78838\CADD\Drawings\9\78838.dgn - Sheets.dgn

USER NAME = handycr	DESIGNED -	REVISED -
	DRAWN -	REVISED -
PLOT SCALE = 100,0000' / in.	CHECKED -	REVISED -
PLOT DATE = 5/6/2021	DATE -	REVISED -

**STATE OF ILLINOIS
DEPARTMENT OF TRANSPORTATION**

**US-51 (VILLAGE OF DESOTO)
MAINLINE TYPICAL SECTIONS**

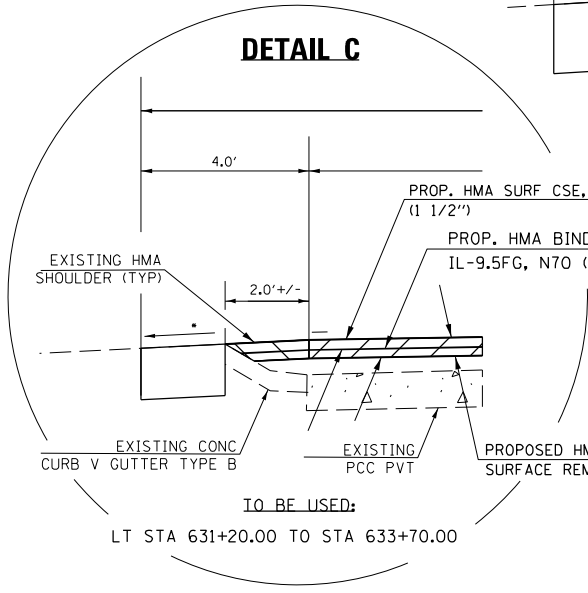
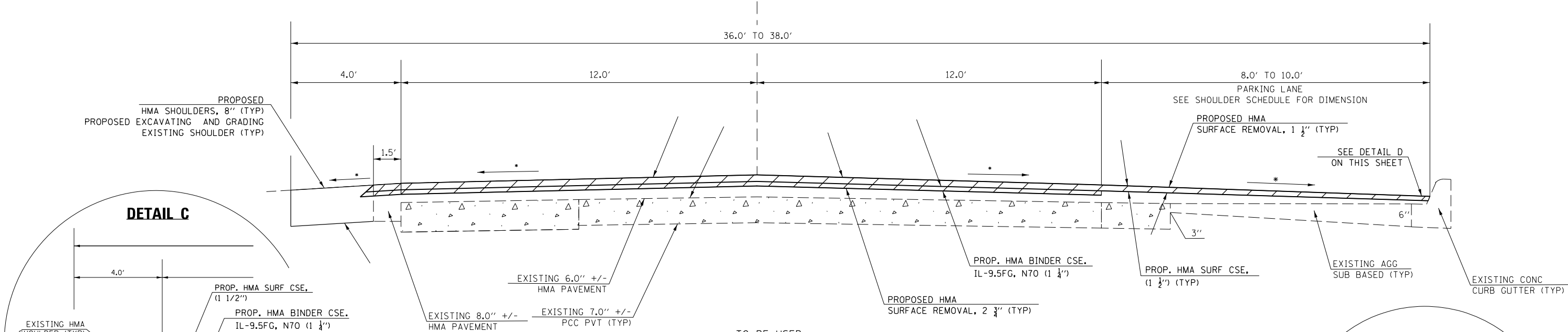
SCALE: SHEET OF SHEETS STA. TO STA.

F.A.P. RTE.	SECTION	COUNTY	TOTAL SHEETS	SHEET NO.
322	4,3,2,1(RS-6)	JACKSON/PERRY	76	19
CONTRACT NO. 78838				
ILLINOIS FED. AID PROJECT				

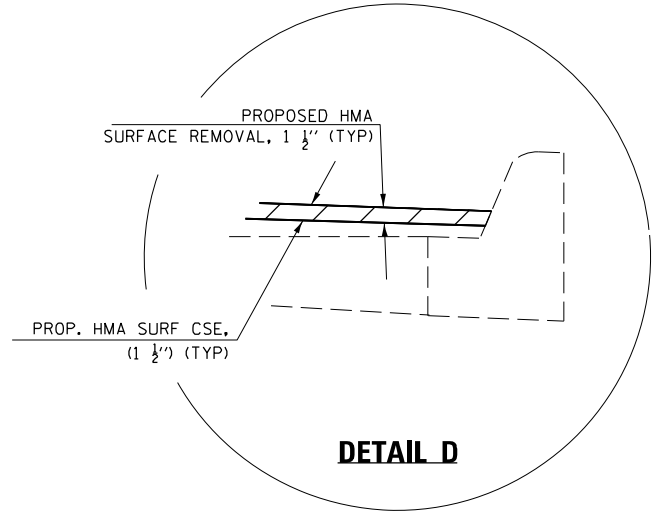
TYPICAL SECTION

N.T.S

US 51
FAP 322
VILLAGE OF ELKVILLE



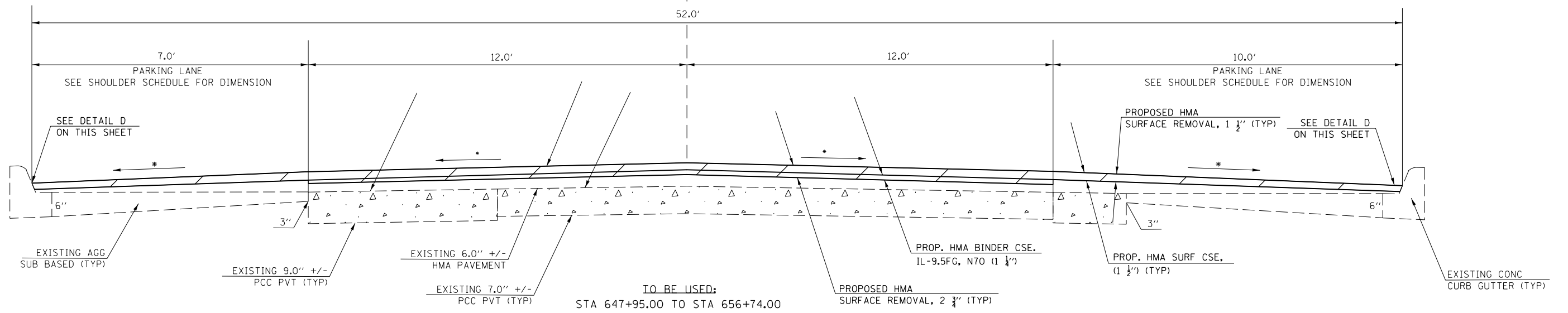
TO BE USED:
 STA 626+30.00 TO STA 640+40.00
 LT STA 640+40.00 TO STA 641+20.00
 STA 642+58.00 TO STA 647+95.00
 STA 656+74.00 TO STA 674+12.00
 (SEE DETAIL C FOR LEFT SIDE STA 631+20.00 TO STA 633+70.00)



TYPICAL SECTION

N.T.S

US 51
FAP 322
VILLAGE OF ELKVILLE



TO BE USED:
 STA 647+95.00 TO STA 656+74.00

* MATCH EXISTING SLOPE

MODEL: Default
 FILE NAME: p:\data\mcrmonr.dwt\illinois\dot\Documents\DOT - Office\Drawings\9\Projects\78838\CADD\Drawings\978838.dwg - Sheets.dgn

USER NAME = handycr	DESIGNED -	REVISED -
	DRAWN -	REVISED -
PLOT SCALE = 100,0000' / in.	CHECKED -	REVISED -
PLOT DATE = 5/6/2021	DATE -	REVISED -

**STATE OF ILLINOIS
DEPARTMENT OF TRANSPORTATION**

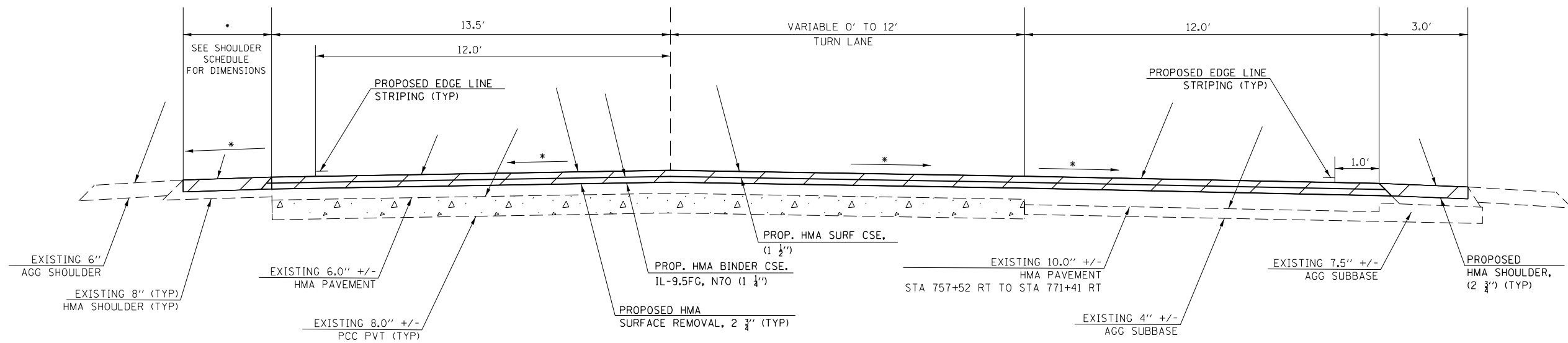
US 51 MAINLINE TYPICAL SECTIONS	
SCALE:	SHEET OF SHEETS STA. TO STA.

F.A.P. RTE.	SECTION	COUNTY	TOTAL SHEETS	SHEET NO.
322	4,3,2,1(RS-6)	JACKSON/PERRY	76	20
CONTRACT NO. 78838				
ILLINOIS FED. AID PROJECT				

TYPICAL SECTION

N.T.S

US 51
FAP 322
VILLAGE OF DOWELL

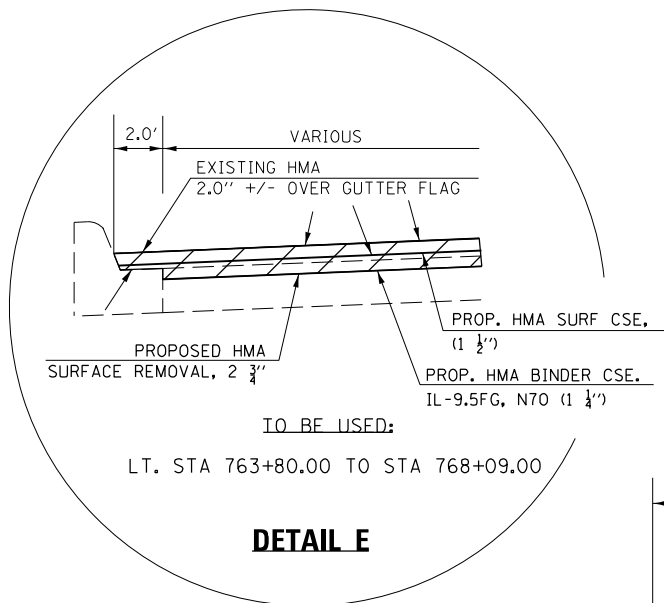


TO BE USED:

RT STA 756+20.00 TO STA 759+18.00
LT STA 756+20.00 TO STA 758+53.00
RT STA 766+16.00 TO STA 772+61.77
LT. STA 768+03.00 TO STA 772+61.77

STA 753+80.00 TO STA 757+78.75 (GAP CONCRETE SHOULDERS)
(STA 755+40.00 TO STA 756+20.00) GAP SN 039-2030

(SEE DETAIL E FOR LEFT SIDE STA 763+80.00 TO STA 768+09.00)



TO BE USED:

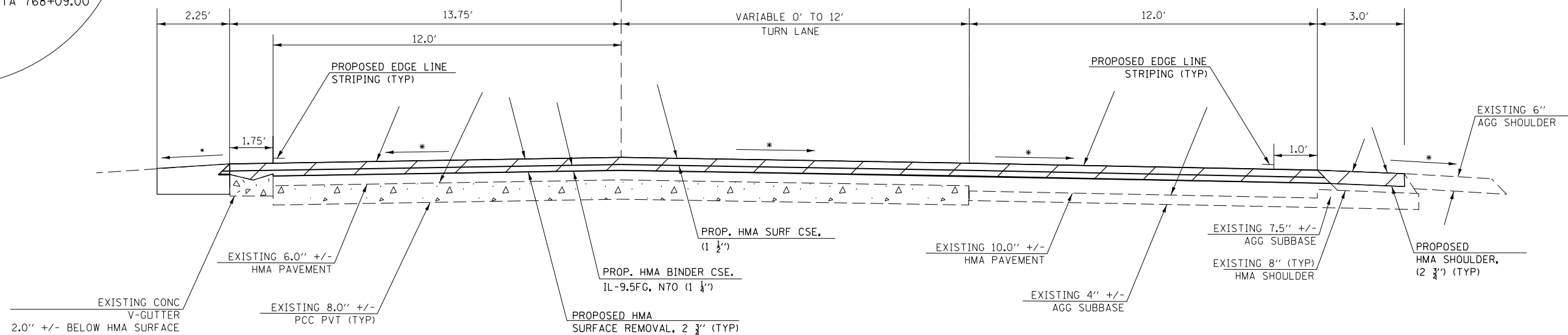
LT. STA 763+80.00 TO STA 768+09.00

DETAIL E

TYPICAL SECTION

N.T.S

US 51
FAP 322
VILLAGE OF DOWELL



TO BE USED:

LT STA 758+53.00 TO STA 768+03.00
RT STA 759+18.00 TO STA 766+16.00

* MATCH EXISTING SLOPE

MODEL: Default
FILE NAME: p:\pub\harronm.dwt\illincis.gov\PIWDOT\Documents\DOT - Office\Drawings\9\Projects\78838\CADD\Drawings\978838.dwg - Sheets.dgn

USER NAME = handycr	DESIGNED -	REVISED -
	DRAWN -	REVISED -
PLOT SCALE = 100,0000' / in.	CHECKED -	REVISED -
PLOT DATE = 5/6/2021	DATE -	REVISED -

**STATE OF ILLINOIS
DEPARTMENT OF TRANSPORTATION**

**US 51
MAINLINE TYPICAL SECTIONS**

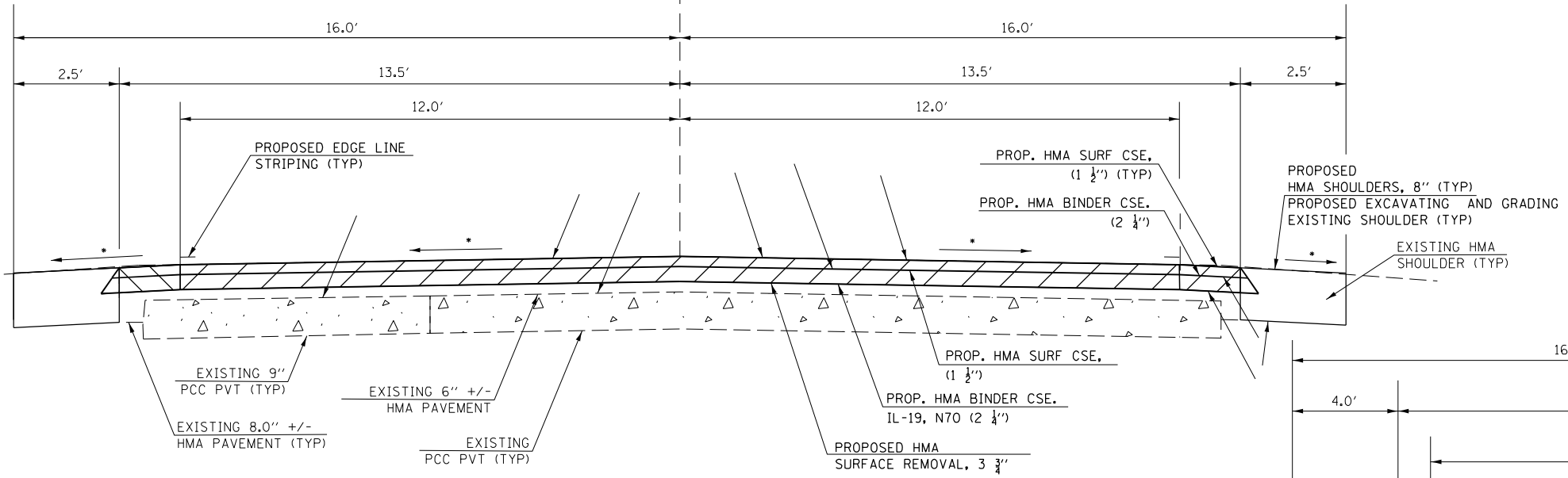
SCALE: SHEET OF SHEETS STA. TO STA.

F.A.P. RTE.	SECTION	COUNTY	TOTAL SHEETS	SHEET NO.
322	4,3,2,1(RS-6)	JACKSON/PERRY	76	21
CONTRACT NO. 78838				
ILLINOIS FED. AID PROJECT				

TYPICAL SECTION

N.T.S

US 51
FAP 322

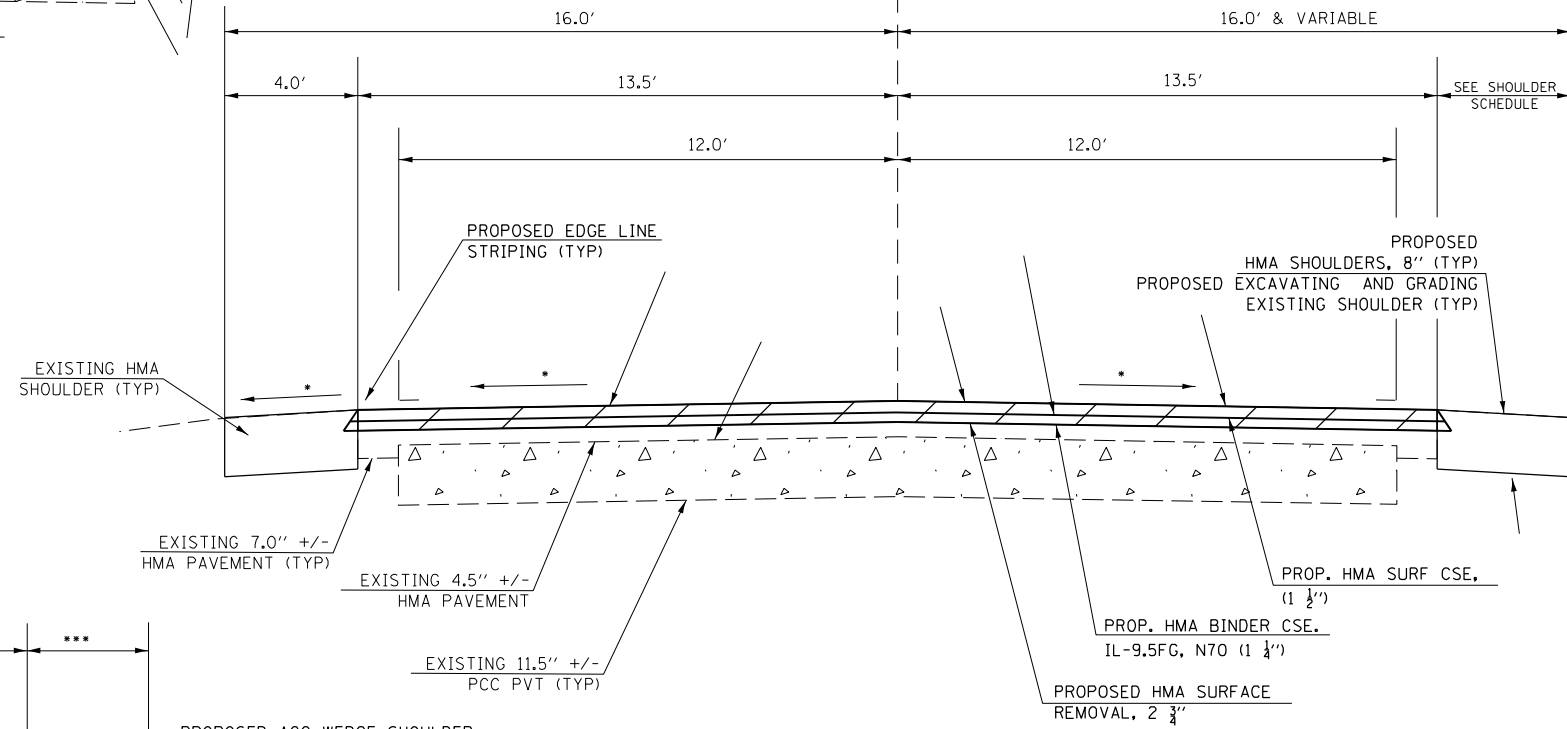


TO BE USED:
 STA 803+62.00 (PERRY/JACKSON COUNTY LINE)
 STA 803+62.00 TO STA 863+97.10
 STA 867+22.00 TO STA 872+11.00
 STA EQ 810+24.90 BK = STA 810+00.00 AH
 STA EQ 854+19.70 BK = STA 854+17.26 AH
 STA EQ 865+06.20 BK = STA 865+00.00 AH
 STA EQ 871+26.30 BK = STA 871+27.41 AH

TYPICAL SECTION

N.T.S

IL 149
FAP 322
VILLAGE OF DESOTO
AT RAILROAD CROSSING

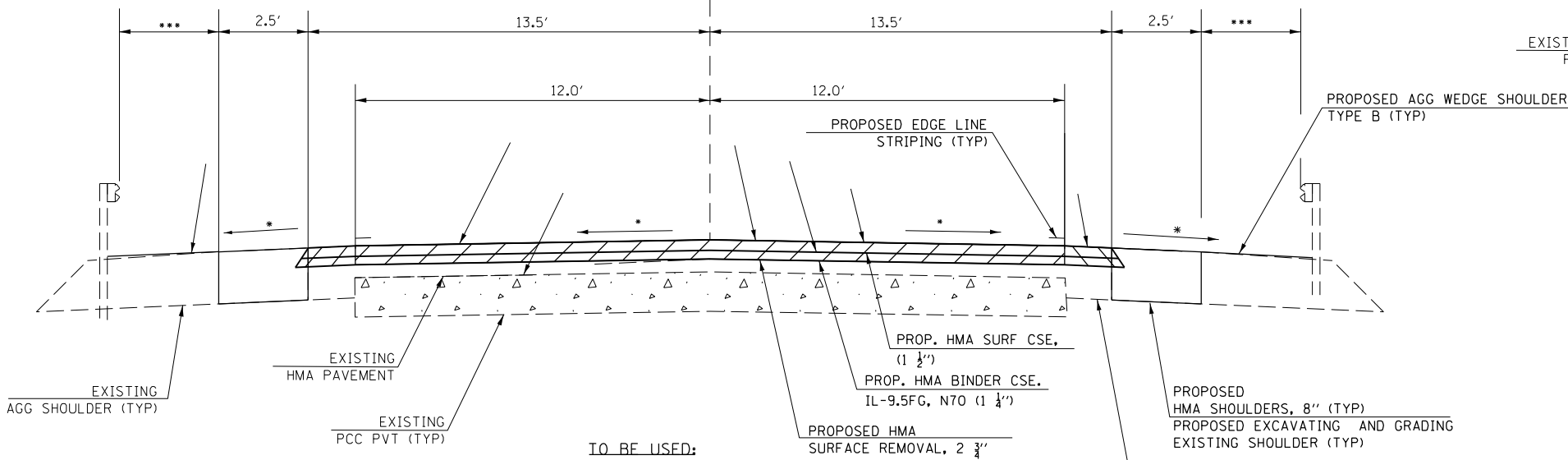


TO BE USED:
 STA 0+15.00 TO STA 0+80.00
 STA 0+90.00 TO STA 1+20.00
 GAP RAILCROSS
(STA 0+80.00 TO 0+90.00)

TYPICAL SECTION

N.T.S

US 51
FAP 322



TO BE USED:
 STA 517+90.00 TO STA 522+00.00
 STA 863+97.10 TO STA 865+47.10
 STA 865+72.90 TO STA 867+22.00
 GAP SN 073-0003
 STA 865+47.10 TO STA 865+72.90
 *** SEE SHOULDER SCHEDULE FOR DIMENSIONS

* MATCH EXISTING SLOPE

MODEL: Default
 FILE NAME: p:\data\harrington.edu\illinois.gov\PIWDOT\Documents\DOT_Offices\District 9\Projects\78838\CADD\data\CADD\kcrs\0778838\Fin_Sheets.dgn

USER NAME = handycr	DESIGNED -	REVISED -
DRAWN -	REVISOR -	REVISION -
PLOT SCALE = 100,0000' / in.	CHECKED -	REVISOR -
PLOT DATE = 5/6/2021	DATE -	REVISION -

**STATE OF ILLINOIS
DEPARTMENT OF TRANSPORTATION**

**US 51 / IL 149
MAINLINE TYPICAL SECTIONS**

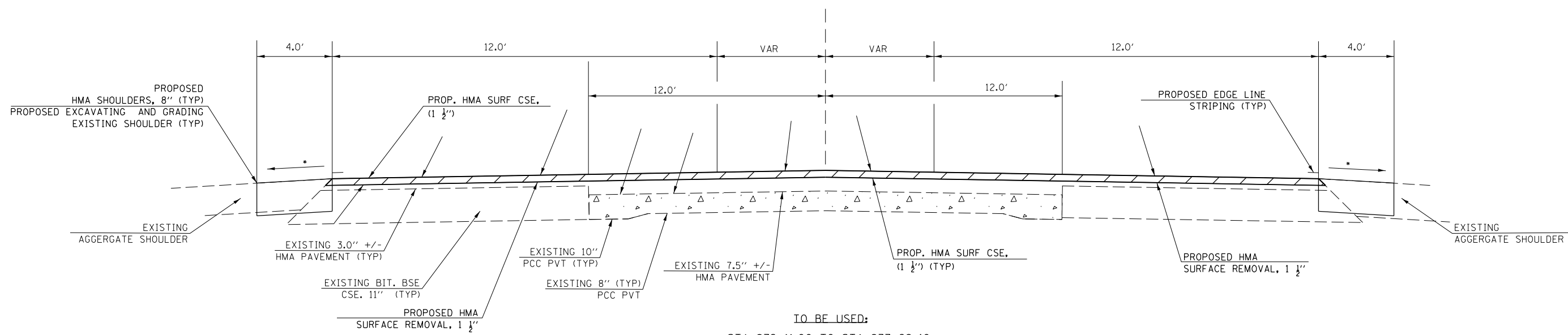
SCALE: SHEET OF SHEETS STA. TO STA.

F.A.P. RTE.	SECTION	COUNTY	TOTAL SHEETS	SHEET NO.
322	4,3,2,1(RS-6)	JACKSON/PERRY	76	22
CONTRACT NO. 78838				
ILLINOIS FED. AID PROJECT				

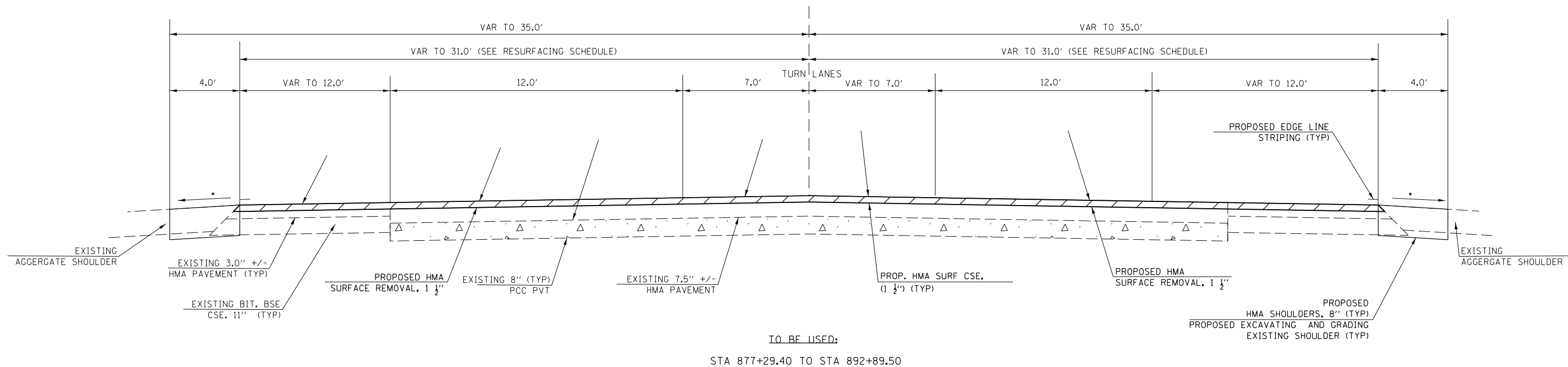
TYPICAL SECTION

N.T.S

US 51
FAP 322



US 51
FAP 322



* MATCH EXISTING SLOPE

MODEL: Default
 FILE NAME: p:\data\harrington.dwg
 PLOT DATE: 5/6/2021
 PROJECT: 78838
 SHEET: 23

USER NAME = handycr	DESIGNED -	REVISED -
	DRAWN -	REVISED -
PLOT SCALE = 100,0000' / in.	CHECKED -	REVISED -
PLOT DATE = 5/6/2021	DATE -	REVISED -

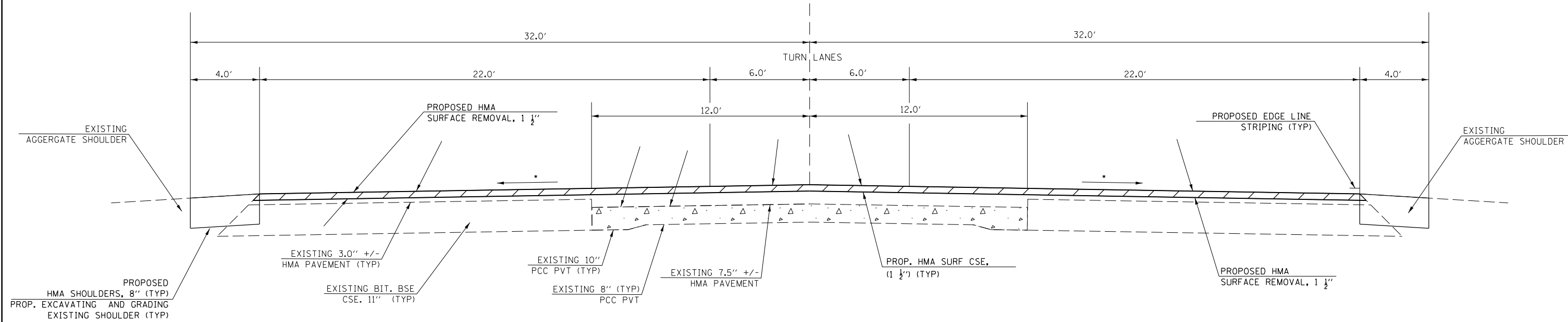
**STATE OF ILLINOIS
DEPARTMENT OF TRANSPORTATION**

**US 51
MAINLINE TYPICAL SECTIONS**

SCALE: SHEET OF SHEETS STA. TO STA.

F.A.P. RTE.	SECTION	COUNTY	TOTAL SHEETS	SHEET NO.
322	4,3,2,1(RS-6)	JACKSON/PERRY	76	23
CONTRACT NO. 78838				
ILLINOIS FED. AID PROJECT				

US 51
FAP 322

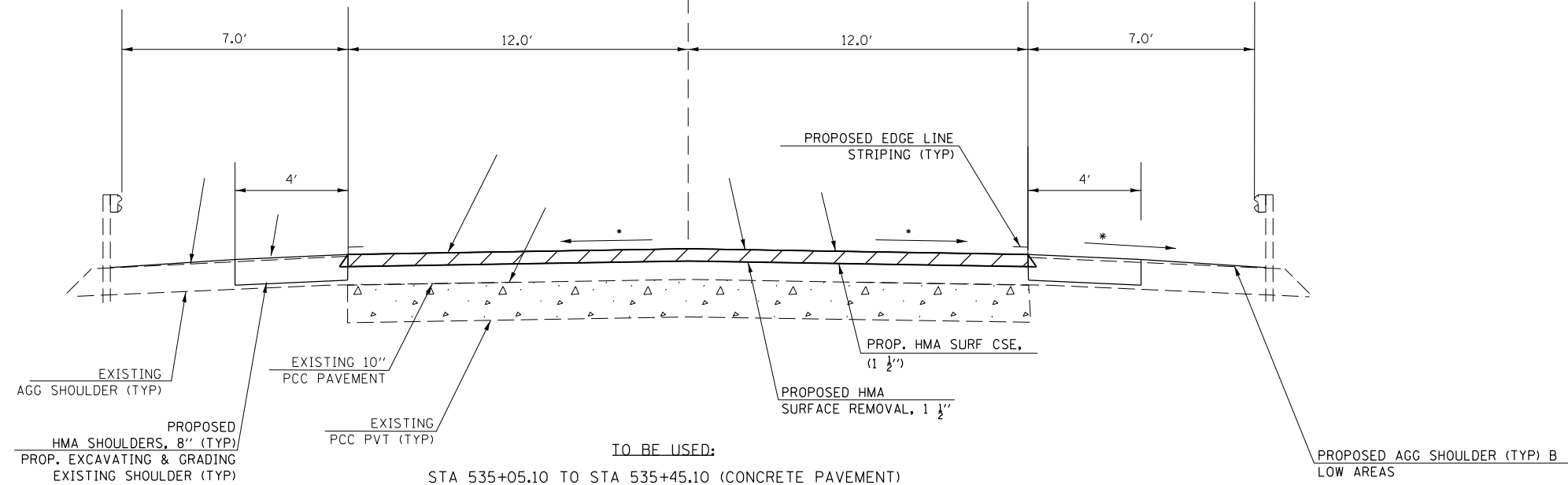


TO BE USED:
 STA 892+89.50 TO STA 977+40.00 STA EQ 889+94.20 BK = STA. 890+00.00 AH

TYPICAL SECTION

N.T.S

US 51
FAP 322



TO BE USED:
 STA 535+05.10 TO STA 535+45.10 (CONCRETE PAVEMENT)

* MATCH EXISTING SLOPE

MODEL: Default
 FILE NAME: p:\pub\amr\amr\dot\illinois\dot\p\projects\78838\CADD\data\CAD\projects\0778838\FIn_Sheets.dgn

USER NAME = handyc	DESIGNED -	REVISED -
DRAWN -	REVISED -	
PLOT SCALE = 100,0000' / in.	CHECKED -	REVISED -
PLOT DATE = 5/6/2021	DATE -	REVISED -

**STATE OF ILLINOIS
DEPARTMENT OF TRANSPORTATION**

**US 51
MAINLINE TYPICAL SECTIONS**

SCALE: SHEET OF SHEETS STA. TO STA.

F.A.P. RTE.	SECTION	COUNTY	TOTAL SHEETS	SHEET NO.
322	4,3,2,1(RS-6)	JACKSON/PERRY	76	24
CONTRACT NO. 78838			ILLINOIS FED. AID PROJECT	

US 51 RESURFACING SCHEDULE

LOCATION STATION TO STATION		LENGTH	ROAD WIDTH	TEMP RAMP *	HMA SUR. REM. 1 1/2*	HMA SUR. REMOVAL, 2 3/4*	HMA SUR. REM. 3 3/4*	HMA BINDER IL-9.5FG, N70 (1 1/4*)	HMA BINDER IL-19.0, N70 (2 1/4*)	HMA SURF COURSE (1 1/2*)	BIT. MAT. (TACK COAT) *	CL RUMBLE STRIPS 8*	LONG JOINT SEALANT	NOTES		
															FOR INFO PURPOSE ONLY	
															FT	FT
US 51 (JACKSON COUNTY)																
25+68.00	TO	27+93.00	225	30.0	48		750		53		64	507		225	INTERSECTION AT INDUSTRIAL PARK RD (AVG)	
27+93.00	TO	38+11.81	1,019	36.0			4,076		287		344	2,752		1,019		
38+11.81	TO	40+54.60	243	30.0			810		57		69	547		243	INTERSECTION AT INDUSTRIAL PARK RD	
40+54.60	TO	41+46.85	93	24.0			248		18		21	168	24	93		
41+46.85	TO	60+93.70	1,947	24.0			5,192		364		439	3,505	487	1,947		
STA EQ 60+93.70 BK = STA. 61+00.00 AH																
61+00.00	TO	75+38.00	1,438	24.0			3,835		270		324	2,589	360	1,438		
75+38.00	TO	78+08.00	270	33.0			990		70		84	669		270	AVG WIDTH	
78+08.00	TO	88+00.00	992	42.0			4,630		325		391	3,125		992	DILLINGER RD TURN LANES	
88+00.00	TO	92+20.00	420	33.0			1,540		109		130	1,040		420	AVG WIDTH	
92+20.00	TO	98+43.00	623	24.0			1,662		117		141	1,122	156	623	AVG WIDTH	
98+43.00	TO	100+98.72	256	33.0			939		66		80	634		256	AVG WIDTH	
100+98.72	TO	105+45.80	448	41.0			2,041		144		172	1,378		448		
STA EQ 105+45.80 BK = STA. 105+50.00 AH																
105+50.00	TO	105+55.60	6	41.0	65		28		2		3	19		6	AVG WIDTH	
105+55.60 TO 106+63.80 GAP STR. SN 039-0005																
106+63.80	TO	107+53.80	90	33.0	52		330		24		28	223	23	90	AVG WIDTH	
107+53.80	TO	114+00.00	647	24.0			1,726		122		146	1,165	162	647		
114+00.00	TO	117+46.00	346	27.0			1,038		73		88	701	87	346	RESURFACING SHOULDERS WITH BINDER AND SURFACE COURSE	
117+46.00	TO	120+46.00	300	27.0			900		64		76	608	75	300	EXISTING 7FT AGG SHOULDERS WITH GUARDRAIL	
120+46.00	TO	150+33.00	2,987	27.5			9,127		639		767	6,161	747	2,987	1.75 FT WIDE HMA COVER V GUTTER	
150+33.00	TO	152+19.49	187	24.0			499		36		43	337	47	187		
STA EQ 152+19.49 BK = STA. 152+20.24 AH																
152+20.24	TO	174+28.50	2,209	24.0	38		5,891		415		498	3,977	553	2,209		
174+28.50 TO 177+91.75 GAP SN 039-0065																
177+91.75	TO	179+48.00	157	24.0	38		419		30		36	283	40	157	EXISTING 9.8 FT HMA SHOULDER WITH GUARDRAIL	
179+48.00	TO	181+38.00	190	27.0			570		40		48	385	48	190	EX 9.85 FT LT HMA SHLDR W/ GR & EX RT 1.5 FT HMA SHLDR	
181+38.00	TO	187+00.00	562	24.0			1,499		106		127	1,012	141	562	EXISTING 3 FT HMA SHOULDERS	
187+00.00	TO	195+59.60	860	24.0			2,294		162		194	1,548	215	860	EX 3 FT LT HMA SHLDR & EX 9.8 FT HMA RT SHLDR WITH GR	
STA EQ 195+59.60 BK = STA. 195+55.58 AH																
195+55.58	TO	201+31.60	577	24.0			1,539		109		130	1,039	145	577	EX 3 FT LT HMA SHLDR & EX 9.7 FT HMA RT SHLDR WITH GR	
201+31.60	TO	214+41.70	1,311	27.5			4,006		281		337	2,704	328	1,311	EXISTING 1.75 FT SHLDR & ADD 2.25 FT SHLDRS	
STA EQ 214+41.70 BK = STA. 214+74.80 AH																
(JACKSON COUNTY) SUB TOTAL 1					241		56,579		3,983		4,780	38,198	3,638	18,403		

* ADDITIONAL QUANTITIES, SEE SHOULDER AND PARKING LANE SCHEDULES

MODEL: Default
FILE NAME: p:\mhammon.dwg
PLOT DATE: 5/6/2021

USER NAME = hamyrc	DESIGNED -	REVISED -
	DRAWN -	REVISED -
PLOT SCALE = 100,0000' / in.	CHECKED -	REVISED -
	DATE -	REVISED -

**STATE OF ILLINOIS
DEPARTMENT OF TRANSPORTATION**

US 51 MAINLINE RESURFACING SCHEDULE			
SCALE:	SHEET	OF	SHEETS
	STA.	TO	STA.

F.A.P. RTE.	SECTION	COUNTY	TOTAL SHEETS	SHEET NO.
322	4,3,2,1(RS-6)	JACKSON/PERRY	76	25
CONTRACT NO. 78838				
ILLINOIS FED. AID PROJECT				

US 51

RESURFACING SCHEDULE CONT

LOCATION STATION TO STATION	LENGTH	ROAD WIDTH	TEMP RAMP *	HMA SUR. REM, 1 1/2" *	HMA SUR. REMOVAL, 2 3/4" *	HMA SUR. REM, 3 3/4"	HMA BINDER 1L-9.5FG, N70 (1 1/4")	HMA BINDER 1L-19.0, N70 (2 1/4")	HMA SURF COURSE (1 1/2") *	BIT. MAT. (TACK COAT) *	CL RUMBLE STRIPS 8"	LONG JOINT SEALANT	NOTES		
														FOR INFO PURPOSE ONLY	
														FT	FT
US 51 (JACKSON COUNTY)															
STA EQ 214+41.70 BK = STA. 214+74.80 AH															
214+74.80	TO	268+12.00	5,338	27.5			16,311		1,142		1,377	11,010	1,335	5,338	EXISTING 1.75 FT SHLDERS & ADD 2.25 FT SHLDERS
268+12.00	TO	289+70.00	2,158	25.5			6,115		430		514	4,128		2,158	VILLAGE OF DESOTO
289+70.00	TO	290+03.00	33	35.0			129		10		11	87		33	TURN LANE (AVG WIDTH)
290+03.00	TO	293+03.00	300	46.0			1,534		108		129	1,035		600	TURN LANE
293+03.00	TO	295+38.00	235	36.0			940		66		79	635		235	MERGE LANE
295+38.00	TO	300+58.00	520	27.5			1,589		112		134	1,073		520	TYPE B GUTTER HMA FILLED & 1.75 FT SHLDERS
300+58.00	TO	302+21.00	163	27.0			489		35		42	331		163	GUARDRAIL AREA
302+21.00	TO	303+06.00	85	27.0			255		18		22	173		85	GUARDRAIL AREA
303+06.00	TO	304+75.00	169	27.0			507		36		43	343		169	GUARDRAIL AREA
304+75.00	TO	313+06.50	9,832	27.5			30,043		2,103		2,524	20,279	2,458	9,832	EXISTING 1.75 FT SHLDERS & ADD 2.25 FT SHLDERS
IL 149 BEG															
0+15.00	TO	0+65.00	50	77.0			428		30		36	289		50	IL 149
0+65.00	TO	0+80.00	15	24.0			40		3		4	27		15	IL 149
0+80.00 TO 0+90.00 GAP RAILROAD CROSSING															
GAP RAILROAD CROSSING															
0+90.00	TO	1+20.00	30	24.0			80		6		7	54		30	IL 149
IL 149 END															
STA EQ 313+06.50 BK = STA. 313+00.00 AH															
313+00.00	TO	313+60.00	60	27.5			184		13		16	124	15	60	EXISTING 1.75 FT SHLDERS & ADD 2.25 FT SHLDERS
313+60.00	TO	348+23.92	3,464	24.0			9,238		650		780	6,236	866	3,464	
348+23.92	TO	427+66.00	7,943	27.5			24,271		1,699		2,039	16,383	1,986	7,943	
427+66.00	TO	429+91.00	225	27.0	43		675		48		57	456	57	225	GUARDRAIL AREA
429+91.00 TO 430+97.00 GAP SN 039-0052															
430+97.00	TO	432+72.00	175	27.5	44		535		38		46	361	44	175	GUARDRAIL AREA / EXISTING V-GUTTER
432+72.00	TO	433+97.00	125	26.0			362		26		31	244	32	125	EXISTING LT AGG SHLDR & EXISTING RT HMA SHLDR
433+97.00	TO	448+67.00	1,470	27.5			4,492		315		378	3,032	368	1,470	
448+67.00	TO	450+72.00	205	27.5			627		45		53	423	52	205	GUARDRAIL AREA / EXISTING V-GUTTER
450+72.00	TO	468+65.00	1,793	27.5			5,479		384		461	3,699	449	1,793	
468+65.00	TO	474+75.00	610	27.5			1,864		131		158	1,259	153	610	GUARDRAIL AREA / EXISTING V-GUTTER
474+75.00	TO	500+17.89	2,543	27.5			7,771		544		653	5,245	636	2,543	
STA EQ 500+17.89 BK = STA. 508+10.35 AH															
508+10.35	TO	511+50.00	340	27.5			1,039		73		88	702	85	340	
511+50.00	TO	516+30.00	480	27.0			1,440		102		122	972	120	480	
516+30.00	TO	517+90.00	160	27.0			480		34		41	324	40	160	GUARDRAIL AREA
517+90.00	TO	522+00.00	410	24.0			1,094		77		92	738	103	410	
(JACKSON COUNTY) SUB TOTAL 2			87				118,011		8,278		9,937	79,662	8,799	39,231	

* ADDITIONAL QUANTITIES, SEE SHOULDER AND PARKING LANE SCHEDULES

MODEL: Default
 FILE NAME: \\pbl\manon.dwt
 PROJECT: 78838 CAD\DATA\CAD\PROJECTS\0778838.dwg
 SHEET: 26

USER NAME = handyc	DESIGNED -	REVISED -
PLOT SCALE = 100,0000' / in.	DRAWN -	REVISED -
PLOT DATE = 5/6/2021	CHECKED -	REVISED -
	DATE -	REVISED -

**STATE OF ILLINOIS
DEPARTMENT OF TRANSPORTATION**

US 51	
MAINLINE RESURFACING SCHEDULE	
SCALE:	SHEET OF SHEETS STA. TO STA.

F.A.P. RTE.	SECTION	COUNTY	TOTAL SHEETS	SHEET NO.
322	4,3,2,1(RS-6)	JACKSON/PERRY	76	26
CONTRACT NO. 78838				
ILLINOIS FED. AID PROJECT				

US 51 RESURFACING SCHEDULE CONT

LOCATION STATION TO STATION	LENGTH	ROAD WIDTH	TEMP RAMP *	HMA SUR. REM. 1 1/2* *	HMA SUR. REMOVAL, 2 3/4* *	HMA SUR. REM. 3 3/4*	HMA BINDER IL-9.5FG, N70 (1 1/4*)	HMA BINDER IL-19.0, N70 (2 1/4*)	HMA SURF COURSE (1 1/2*) *	BIT. MAT. (TACK COAT) *	CI RUMBLE STRIPS 8*	LONG JOINT SEALANT	NOTES												
														FOR INFO PURPOSE ONLY		SQYD	SQYD	SQYD	SQYD	TON	TON	TON	LBS	FT	FT
														FT	FT										
US 51 (JACKSON COUNTY)																									
522+00.00	TO	532+85.00	1,085	27.0			3,255		229		275	2,198	272	1,085											
532+85.00	TO	533+75.00	90	25.5			255		18		22	173	23	90											
533+75.00	TO	535+05.10	131	27.0			393		28		34	266	33	131	GUARDRAIL AREA										
535+05.10	TO	535+45.10	40	27.0			120				11	81	10		SN 039-7121-MILLED CONCRETE SURFACE										
535+45.10	TO	536+75.00	130	24.0			347		25		30	234	33	130											
536+75.00	TO	538+10.00	135	25.5			383		27		33	259	34	135	EXISTING LT HMA SHLDR EXISTING AGG RT SHLDR										
538+10.00	TO	576+90.00	3,880	27.0			11,640		818		983	7,857	970	3,880											
576+90.00	TO	579+90.00	300	27.0			900		64		76	608	75	300	GUARDRAIL AREA										
579+90.00	TO	592+20.00	1,230	27.0			3,690		260		312	2,491	308	1,230											
592+20.00	TO	595+20.00	300	27.0			900		64		76	608	75	300	GUARDRAIL AREA										
595+20.00	TO	625+15.70	2,996	27.0			8,988		632		759	6,067	749	2,996											
STA EQ 625+15.70 BK = STA. 625+00.00 AH																									
625+00.00	TO	626+30.00	130	27.0			390		28		33	264	33	130											
626+30.00	TO	631+20.00	490	25.5			1,389		98		118	938		490	VILLAGE OF ELKVILLE										
631+20.00	TO	633+70.00	250	26.0			723		51		61	488		250	TYPE B GUTTER HMA FILLED										
633+70.00	TO	641+72.00	802	25.5			2,273		160		192	1,534		802											
641+20.00	TO	641+72.00	52	27.0	43		156		11		14	106		52	EX 9.85 FT LT HMA SHLDR W/ GR & EX RT 1.5 FT HMA SHLDR										
641+72.00 TO 641+98.00 GAP SN 039-0002																									
641+98.00	TO	642+58.00	60	27.0	43		180		13		16	122		60	EX 9.85 FT LT HMA SHLDR W/ GR & EX RT 1.5 FT HMA SHLDR										
642+58.00	TO	647+95.00	537	25.5			1,522		107		129	1,028		537											
647+95.00	TO	656+74.00	879	24.0			2,344		165		198	1,583		879	LT & RT PARKING SHLDRS										
656+74.00	TO	674+12.00	1,738	25.5			4,925		345		416	3,324	78	1,738	LT & RT PARKING SHLDRS BEG CL RUMBLE STRIPS@ 671+00										
674+12.00	TO	677+33.00	321	27.25			972		69		82	657	81	321	TYPE B GUTTER HMA FILLED										
677+33.00	TO	680+35.00	302	27.0			906		64		77	612	76	302											
680+35.00	TO	686+42.00	607	27.25			1,838		129		155	1,241	152	607	TYPE B GUTTER HMA FILLED										
686+42.00	TO	687+06.57	65	27.0			195		14		17	132	17	65											
STA EQ 687+06.57 BK = STA. 687+66.53 AH																									
687+66.53	TO	727+00.00	3,934	24.0			10,491		735		886	7,082	984	3,934											
STA EQ 727+00.00 BK = STA. 727+25.70 AH																									
727+25.70	TO	753+80.00	2,655	27.0			7,965		558		670	5,377	664	2,655											
753+80.00	TO	755+40.00	160	24.0	38		427		30		36	288		160	CONCRETE SHOULDERS										
755+40.00 TO 756+20.00 GAP SN 039-2030																									
(JACKSON COUNTY) SUB TOTAL 3					124		120		67,447		4,742		5,711	45,618	4,667	23,259									

* ADDITIONAL QUANTITIES, SEE SHOULDER AND PARKING LANE SCHEDULES

MODEL: Default
 FILE NAME: P:\pub\haronom.dwg
 PLOT DATE: 5/6/2021
 PROJECT: 78838-CA000-DataCAD-Access:0778838-Plan_Sheets.dgn

USER NAME = handyc	DESIGNED -	REVISED -
	DRAWN -	REVISED -
PLOT SCALE = 100,0000' / in.	CHECKED -	REVISED -
	DATE -	REVISED -

**STATE OF ILLINOIS
DEPARTMENT OF TRANSPORTATION**

US 51 MAINLINE RESURFACING SCHEDULE			
SCALE:	SHEET	OF	SHEETS
	STA.	TO	STA.

F.A.P. RTE.	SECTION	COUNTY	TOTAL SHEETS	SHEET NO.
322	4,3,2,1(RS-6)	JACKSON/PERRY	76	27
CONTRACT NO. 78838				
ILLINOIS FED. AID PROJECT				

US 51 RESURFACING SCHEDULE CONT

LOCATION STATION TO STATION	LENGTH	ROAD WIDTH	TEMP RAMP *	HMA SUR. REM, 1 1/2* *	HMA SUR. REMOVAL, 2 3/4* *	HMA SUR. REM, 3 3/4*	HMA BINDER IL-9.5FG, N70 (1 1/4*)	HMA BINDER IL-19.0, N70 (2 1/4*)	HMA SURF COURSE (1 1/2*) *	BIT. MAT. (TACK COAT) *	CL RUMBLE STRIPS 8"	LONG JOINT SEALANT	NOTES			
	FOR INFO PURPOSE ONLY															
	FT	FT												SQYD	SQYD	SQYD
US 51 (JACKSON COUNTY)																
755+40.00 TO 756+20.00 GAP SN 039-2030																
756+20.00	TO	757+78.75	159	24.0	38		424		30		36	287		159	CONCRETE SHOULDERS	
757+78.75	TO	760+68.92	291	32.4			1,047		74		89	707		291	TURN LANES (DOWELL) AVG	
760+68.92	TO	768+03.00	735	37.5			3,063		215		259	2,068		735	TURN LANES IN DOWELL	
768+03.00	TO	772+61.77	459	32.4			1,652		116		140	1,115		459	TURN LANES IN DOWELL (AVG)	
772+61.77	TO	782+56.00	995	27.0			2,985		210		252	2,015	249	995		
STA EQ 782+56.00 BK = STA. 782+90.00 AH																
782+90.00	TO	786+50.00	360	27.0			1,080		76		92	729	90	360		
786+50.00	TO	787+50.00	100	27.0	43		300		21		26	203	25	100	GUARDRAIL AREA	
787+50.00 TO 787+92.70 GAP SN 039-0001																
787+92.70	TO	788+42.00	50	27.0	43		150		11		13	102	13	50	GUARDRAIL AREA	
788+42.00	TO	803+62.00	1,520	27.0			4,560		321		385	3,078	380	1,520		
			(JACKSON COUNTY) SUB TOTAL 4				124		15,261		1,074	1,292	10,304	757	4,669	
			(JACKSON COUNTY) SUB TOTAL 3				124	120	67,447		4,742	5,711	45,618	4,667	23,259	
			(JACKSON COUNTY) SUB TOTAL 2				87	0	118,011		8,278	9,937	79,662	8,799	39,231	
			(JACKSON COUNTY) SUB TOTAL 1				241		56,579		3,983	4,780	38,198	3,638	18,403	
			(JACKSON COUNTY) TOTAL				576	120	257,298		18,077	21,720	173,782	17,861	85,562	
US 51 (PERRY COUNTY)																
803+62.00	TO	810+24.90	663	27.0				1,989		253	168	1,791	166	663		
STA EQ 810+24.90 BK = STA. 810+00.00 AH																
810+00.00	TO	854+17.26	4,418	27.0				13,254		1,682	1,119	11,929	1,105	4,418		
STA EQ 854+19.70 BK = STA. 854+17.26 AH																
854+17.26	TO	863+97.10	980	27.0				2,940		374	249	2,646	245	980		
863+97.10	TO	865+06.20	110	24.0				294		38	25	264	28	110	GUARDRAIL	
STA EQ 865+06.20 BK = STA. 865+00.00 AH																
865+00.00	TO	865+47.10	48	24.0	38			128		17	11	116	12	48	GUARDRAIL	
865+47.10 TO 865+72.90 GAP SN 073-0003																
865+72.90	TO	867+22.00	150	27.0	43			450		58	38	405	38	150	GUARDRAIL	
867+22.00	TO	871+26.30	405	27.0				1,215		154	103	1,094	102	405		
STA EQ 871+26.30 BK = STA. 871+27.41 AH																
871+27.41	TO	873+82.00	255	30.0		850					72	383		1,020	IL 14 INTERSECTION / TURN LANES/ AVG WIDTH	
873+82.00	TO	875+97.00	215	35.0		837					71	377		860	IL 14 INTERSECTION / TURN LANES	
875+97.00	TO	877+77.00	180	45.0		900					76	405		720	IL 14 INTERSECTION / TURN LANES/ AVG WIDTH	
877+77.00	TO	878+77.00	100	56.0		623					53	280		400	IL 14 INTERSECTION / TURN LANES/ AVG WIDTH	
878+77.00	TO	889+94.20	1,118	62.0		7,702					649	3,466		4,472	IL 14 INTERSECTION / TURN LANES	
STA EQ 889+94.20 BK = STA. 890+00.00 AH																
890+00.00	TO	890+25.00	25	62.0		173					15	78		100		
890+25.00	TO	977+40.00	8,715	56.0	32	54,227					4,566	24,402		34,860		
			(PERRY COUNTY) TOTAL				113	65,312	20,270		2,576	7,215	47,636	1,696	49,206	
			(JACKSON COUNTY) TOTAL				576	120	257,298		18,077	21,720	173,782	17,861	85,562	
			(US 51) TOTAL				689	65,432	257,298	20,270	18,077	2,576	28,935	221,418	19,557	134,768

* ADDITIONAL QUANTITIES, SEE SHOULDER AND PARKING LANE SCHEDULES

MODEL: Default
 FILE: Mainline_20140808.dwg
 PROJECT: 78838 CAD Data
 OFFICE: IDOT
 DATE: 5/6/2021

USER NAME = handyc	DESIGNED -	REVISED -
PLOT SCALE = 100,0000' / in.	DRAWN -	REVISED -
PLOT DATE = 5/6/2021	CHECKED -	REVISED -
	DATE -	REVISED -

**STATE OF ILLINOIS
DEPARTMENT OF TRANSPORTATION**

US 51 MAINLINE RESURFACING SCHEDULE	
SCALE:	SHEET OF SHEETS STA. TO STA.

F.A.P. RTE.	SECTION	COUNTY	TOTAL SHEETS	SHEET NO.
322	4,3,2,1(RS-6)	JACKSON/PERRY	76	28
CONTRACT NO. 78838				
ILLINOIS FED. AID PROJECT				

US 51 SHOULDER SCHEDULE

LOCATION STATION TO STATION	LENGTH	HMA SHLDR WIDTH		TEMP RAMP *	HMA SUR. REM., 2-3/4" *	HMA SHLDR (2-3/4")	EXCAVATE & GRADE EXIST SHLDR	HMA SHLDR 8"	AGG SHLDR	BIT. MAT. (TACK COAT) *	SHLDR RUMBLE STRIPS 8"	NOTES		
		LT	RT											
		FOR INFO PURPOSE ONLY												
FT	FT	FT	SQYD	SQYD	TON	UNIT	SQYD	TON	LBS	FT				
US 51 (JACKSON COUNTY)														
25+68	TO	34+95	928	3.0	3.0	10	619	99			279	1,486	INTERSECTION AT INDUSTRIAL PARK RD & EXISTING 3 FT SHLDERS	
34+95	TO	35+26	32	0.0	8.0		29	5			13	52		
35+26	TO	37+95	269	8.0	6.0		419	66			189	432	INTERSECTION AT INDUSTRIAL PARK RD	
37+95	TO	39+01	107	8.0	3.0		131	21			59	172		
39+01	TO	41+47	246	3.0	3.0		164	27			74	394	EXISTING 3 FT SHLDERS	
41+47	TO	60+94	1,947	4.0	4.0				39	1,731	390	3,116	ADD 4 FT SHLDERS	
STA EQ 60+93.70 BK = STA. 61+00.00 AH														
61+00	TO	75+38	1,438	4.0	4.0				29	1,279		288	2,302	ADD 4 FT SHLDERS
75+38	TO	82+67	729	4.0	0.0				8	324		73	1,168	LEFT ONLY SHLDERS / RIGHT CONCRETE TURN LANE
82+67	TO	92+20	954	3.0	3.0				20	636		144	1,528	ADDING 4 FT SHLDERS
92+20	TO	97+00	480	4.0	4.0				5	427		96	768	
97+00	TO	103+70	670	3.0	3.0		447	72	14	447		101	1,072	EXISTING 3 FT SHLDERS
103+70	TO	105+46	176	3.0	8.0		216	34				194	282	EX 3 FT HMA SHLDR & EX 8 FT HMA SHLDR GR
STA EQ 105+45.80 BK = STA. 105+50.00 AH														
105+50	TO	105+56	6	3.0	8.0	18	8	2			7	10	EX 3 FT HMA SHLDR & EX 8 FT HMA SHLDR GR	
105+56 TO 106+64 GAP SN 039-0063														
106+64	TO	110+84	421	8.0	8.0	26	749	117				337	674	EXISTING 8 FT HMA SHLDERS
110+84	TO	114+00	316	3.0	3.0		211	34				95	506	EXISTING 3 FT HMA SHLDERS
114+00	TO	117+46	346	2.5	2.5				7	193		122	554	EXISTING 1.5 FT SHLDERS & ADDING 2.5 FT SHLDERS
117+46	TO	120+46	300	2.5	2.5				6	167		105	480	EXISTING 7FT AGG SHLDERS W/ GUARDRAIL
120+46	TO	150+33	2,987	2.25	2.25				60	1,494		1,233	4,780	EXISTING 2.25 FT SHLDERS
150+33	TO	152+19	187	3.0	3.0		125	20				57	300	EXISTING 3 FT SHLDERS & 2 3/4" MILL
STA EQ 152+19.49 BK = STA. 152+20.24 AH														
152+20	TO	170+98	1,878	3.0	3.0		1,252	201				564	3,006	EXISTING 3 FT SHLDERS & 2 3/4" MILL
170+98	TO	173+30	232	3.0	9.85		332	52				299	372	EX. 3 FT LT HMA SHLDERS & EX 9'-10" HMA SHLDR WITH GUARDRAIL
173+30	TO	174+28	99	9.85	9.85	32	217	34				98	160	EXISTING 9'-10" HMA SHLDR WITH GUARDRAIL
174+28 TO 177+92 GAP SN 039-0065														
177+92	TO	179+48	157	9.85	9.85	32	344	54				155	252	EXISTING 9'-10" HMA SHLDR WITH GUARDRAIL
179+48	TO	181+38	190	9.85	2.0		251	33	4	43		104	304	EX 9.85 FT LT HMA SHLDR WITH GUARDRAIL & EX 2 FT RT HMA SHLDR
181+38	TO	187+00	562	3.0	3.0		375	60				169	900	EXISTING 3 FOOT HMA SHLDERS
187+00	TO	195+60	860	3.0	9.85		1,228	193				553	1,376	EX 3 FT LT HMA SHLDR & EX 9'-8" HMA RT SHLDR WITH GR
STA EQ 195+59.60 BK = STA. 195+55.58 AH														
(JACKSON COUNTY) SUB TOTAL 1						118	7,117	1,124	192	6,741	0	5,798	26,446	

* ADDITIONAL QUANTITIES, SEE RESURFACING & PARKING LANE SCHEDULES

MODEL: Default
FILE: Mainline_Schedule.dwg
PLOT DATE: 5/6/2021
PLOT SCALE: = 100,0000' / in.
DESIGNED: -
DRAWN: -
CHECKED: -
DATE: -
REVISED: -
REVISED: -
REVISED: -
REVISED: -

USER NAME = handyc	DESIGNED -	REVISED -
	DRAWN -	REVISED -
PLOT SCALE = 100,0000' / in.	CHECKED -	REVISED -
PLOT DATE = 5/6/2021	DATE -	REVISED -

**STATE OF ILLINOIS
DEPARTMENT OF TRANSPORTATION**

US 51 MAINLINE SHOULDER SCHEDULE			
SCALE:	SHEET	OF	SHEETS
STA.	TO STA.		

F.A.P. RTE.	SECTION	COUNTY	TOTAL SHEETS	SHEET NO.
322	4,3,2,1(RS-6)	JACKSON/PERRY	76	29
CONTRACT NO. 78838				
		ILLINOIS	FED. AID PROJECT	

US 51 SHOULDER SCHEDULE CONT

LOCATION STATION TO STATION	LENGTH	HMA SHLDR WIDTH		TEMP RAMP *	HMA SUR. REM., 2-3/4" *	HMA SHLDR (2-3/4")	EXCAVATE & GRADE EXIST SHLDR	HMA SHLDR 8"	AGG SHLDR	BIT. MAT. (TACK COAT) *	SHLDR RUMBLE STRIPS 8"	NOTES		
		LT	RT											
		FOR INFO PURPOSE ONLY												
FT	FT	FT	SQYD	SQYD	TON	UNIT	SQYD	TON	LBS	FT				
US 51 (JACKSON COUNTY)														
STA EQ 195+59.60 BK = STA. 195+55.58														
195+56	TO	196+37	82	3.0	9.85		118	19			53	132	EX 3 FT LT SHLDR & EX 9'-10" HMA SHLDR WITH GR	
196+37	TO	200+72	435	3.0	0.00		145	25			66	696	RT SHLDR NEW CONSTRUCTION 2019 (GAP 435 FT) & EX LT 3 FT SHLDR	
200+72	TO	201+32	60	3.0	9.85		86	14			39	96	EX 3 FT LT SHLDR & EX 9'-10" HMA SHLDR W/ GR	
201+32	TO	214+42	1,311	2.25	2.25		656		27	656	148	2,098	EXISTING 1.75 FT SHLDERS & ADD 2.25 FOOT SHLDERS & TYPE B V-GUTTER SHLDR	
STA EQ 214+41.70 BK = STA. 214+74.80 AH														
214+75	TO	268+12	5,338	2.25	2.25		2,669		107	2,669	601	8,542	EXISTING 1.75 FT SHLDERS & ADD 2.25 FOOT SHLDERS & TYPE B V-GUTTER SHLDR	
VILLAGE OF DESOTO														
268+12	TO	279+28	1,116		2.5				12	310		70	EX LT PARK LN SHLDR W CURB (DESOTO) & ADD 4 FT SHLDR	
279+28	TO	281+53	225										EX LT CURB PARK LN & RT CURB PARK LN (DESOTO)	
281+53	TO	289+70	817											
289+70	TO	291+93	223										EX LT CURB PARK LN & RT TURN LANE @ LINCOLN ST. / IL 149 (DESOTO)	
291+93	TO	292+35	42										INTERSECTION	
292+35	TO	295+38	303										EXISTING LEFT CURB PARKING LANE & RIGHT CURB PARKING (DESOTO)	
295+38	TO	299+58	420		2.5				5	117		27	EX LT PARK LN SHLDR W CURB (DESOTO) & ADD 2.5 FT SHLDR	
VILLAGE OF DESOTO											0	PARKING LANES TOTALS		
299+45	TO	300+58	113	2.25	2.25				3	57		13	EXISTING 1.75 FT SHLDERS & ADD 2.25 FOOT SHLDERS & TYPE B V-GUTTER SHLDR	
300+58	TO	302+21	163	2.5	2.5				4	91		58	EXISTING 1.5 FT HMA LT SHLDR EX RT 8 FT AGG SHLDR W/ GR	
302+21	TO	303+06	85	2.5	2.5				2	48		30	EXISTING 8 FOOT AGG SHLDR WITH GUARDRAIL.	
303+06	TO	304+75	169	4.0	2.0		38		4	113	13	26	EX 8 FT LT AGG SHLDR & EX 2 FT HMA RT SHLDR	
304+75	TO	313+07	832	2.25	2.25				17	416		94	EXISTING 2 FOOT HMA SHLDERS (POSSIBLE 1'-9")	
IL 149 BEG														
0+15	TO	0+80	65	4.0	6.0				2	73		17	IL 149	
0+80 TO 0+90 GAP RAILROAD CROSSING														
0+90	TO	1+20	30	4.0	4.0				1	27		6	IL 149	
IL 149 END														
STA EQ 313+06.50 BK = STA. 313+00.00 AH														
313+00	TO	313+60	60	2.0	2.0					27		6	96	EXISTING 2 FOOT HMA SHLDERS
313+60	TO	348+24	3,464	3.0	3.0		2,310	370				1,040	5,544	EXISTING 3FT SHLDERS
348+24	TO	427+66	7,943	2.25	2.25				159	3,972		894	12,710	EXISTING 2 FOOT HMA SHLDERS (POSSIBLE 1'-9")
427+66	TO	429+88	222	2.5	2.5	8			5	124		78	356	EXISTING 7 FOOT AGG SHLDR WITH GUARDRAIL
429+88 TO 430+97 GAP SN 039-0052														
(JACKSON COUNTY) SUB TOTAL 2														
			8	6,022	428	348	8,700	13	3,266	31,890				

* ADDITIONAL QUANTITIES, SEE RESURFACING & PARKING LANE SCHEDULES

MODEL: Default
FILE NAME: p:\data\mason.dwg
PROJECT: 78838-00-Data-CAD-Access-07-28-2021-Sheets.dgn

USER NAME = handycr	DESIGNED -	REVISED -
	DRAWN -	REVISED -
PLOT SCALE = 100,0000' / in.	CHECKED -	REVISED -
PLOT DATE = 5/6/2021	DATE -	REVISED -

**STATE OF ILLINOIS
DEPARTMENT OF TRANSPORTATION**

**US 51
MAINLINE SHOULDER SCHEDULE**

SCALE: SHEET OF SHEETS STA. TO STA.

F.R. RTE.	SECTION	COUNTY	TOTAL SHEETS	SHEET NO.
322	4.3,2.1(RS-6)	JACKSON/PERRY	76	30
CONTRACT NO78838				
ILLINOIS FED. AID PROJECT				

US 51 SHOULDER SCHEDULE CONT

LOCATION STATION TO STATION	LENGTH		HMA SHLDR WIDTH		TEMP RAMP *	HMA SUR. REM, 2-3/4" *	HMA SHLDR (2-3/4")	EXCAVATE & GRADE EXIST SHLDR	HMA SHLDR 8"	AGG SHLDR	BIT. MAT. (TACK COAT) *	SHLDR RUMBLE STRIPS 8"	NOTES	
			LT	RT										
	FOR INFO PURPOSE ONLY			SQYD										SQYD
US 51 (JACKSON COUNTY)														
772+62	TO	782+56	995	2.5	2.5				20	553		125	1,062	1.5 FT EXISTING SHLDERS & ADD 2.5' HMA SHLDR
STA EQ 782+56.00 BK = STA. 782+90.00 AH														
782+90	TO	786+95	405	2.5	2.5				9	225		51	648	1.5 FT EXISTING SHLDERS & ADD 2.5' HMA SHLDR
786+95	TO	787+50	55	3.0	2.5	9	19	4	1	16	10	16	60	EX 3 FT HMA SHLDR /W GR & 5 FT AGG SHLDR
787+50 TO 787+92.70 GAP SN 039-0001														
787+93	TO	788+43	50	3.0	2.5	9	17	3	1	14	9	14	54	EX 3 FT HMA SHLDR /W GR & 5 FT AGG SHLDR
788+43	TO	803+62	1,520	2.5	2.5				31	845	231	190	2,432	1.5 FT EXISTING SHLDERS & ADD 2.5' HMA SHLDR
(JACKSON COUNTY) SUB TOTAL 5						18	36	7	62	1,653	250	396	4,256	
(JACKSON COUNTY) SUB TOTAL 4						30	822	134	214	5,637	0	1,572	10,648	
(JACKSON COUNTY) SUB TOTAL 3						8	0	0	385	10,098	379	2,291	29,422	
(JACKSON COUNTY) SUB TOTAL 2						8	6,022	428	348	8,700	13	3,266	31,890	
(JACKSON COUNTY) SUB TOTAL 1						118	7,117	1,124	192	6,741	0	5,798	26,446	
(JACKSON COUNTY) TOTAL						182	13,997	1,693	1,201	32,829	642	13,323	102,662	
US 51 (PERRY COUNTY)														
803+62	TO	810+25	663	2.5	2.5				14	369	101	83	708	1.5 FT EXISTING HMA SHLDERS & EXISTING AGG SHLDR
STA EQ 810+24.90 BK = STA. 810+00.00 AH														
810+00	TO	854+18	4,418	2.5	2.5				89	2,455	671	553	4,714	1.5 FT EXISTING HMA SHLDERS & EXISTING AGG SHLDR
STA EQ 854+19.70 BK = STA. 854+17.26 AH														
854+17	TO	863+97	980	2.5	2.5				20	545	149	123	1,046	1.5 FT EXISTING HMA SHLDERS & EXISTING AGG SHLDR
863+97	TO	865+06	110	2.5	2.5				3	62	17	14	118	EXISTING 8 FOOT AGG SHLDERS WITH GUARDRAIL
STA EQ 865+06.20 BK = STA. 865+00.00 AH														
865+00	TO	865+47	48	2.5	2.5				1	27	8	6	52	EXISTING 8 FOOT AGG SHLDERS WITH GUARDRAIL
865+47 TO 865+73 GAP SN 073-0003														
865+73	TO	867+22	150	2.5	2.5				3	84	23	19	160	EXISTING 8 FOOT AGG SHLDERS WITH GUARDRAIL
867+22	TO	871+26	405	2.5	2.5				9	225	62	51	432	1.5 FT HMA EXISTING SHLDERS & EXISTING AGG SHLDR
STA EQ 871+26.30 BK = STA. 871+27.41 AH														
871+27	TO	873+82	255	4.0	4.0				6	227		51		ADD 4 FOOT SHLDERS
873+82	TO	875+97	215	4.0	4.0				5	192		43		ADD 4 FOOT SHLDERS
875+97	TO	877+77	180	4.0	4.0				4	160		36		ADD 4 FOOT SHLDERS
877+77	TO	878+77	100	4.0	4.0				2	89		20		ADD 4 FOOT SHLDERS
878+77	TO	889+94	1,118	4.0	4.0				23	994		224		ADD 4 FOOT SHLDERS
STA EQ 889+94.20 BK = STA. 890+00.00 AH														
890+00	TO	890+25	25	4.0	4.0				1	23		5		ADD 4 FOOT SHLDERS
890+25	TO	977+40	8,715	4.0	4.0				175	7,747		1,743		ADD 4 FOOT SHLDERS & 850 FT REMOVE FOR CONC ENTRANCES
(PERRY COUNTY) TOTAL									338	12,443	1,031	2,801	5,870	
(JACKSON COUNTY) TOTAL						182	13,997	1,693	1,201	32,829	642	13,323	102,662	
(US 51) TOTAL						182	13,997	1,693	1,539	45,272	1,673	16,124	108,532	

* ADDITIONAL QUANTITIES, SEE RESURFACING & PARKING LANE SCHEDULES

MODEL: Default
 FILE: Mainline_Schedule.dwg
 PROJECT: 78838-CA000-DataCAD-Access:078838-Plan_Sheets.dgn

USER NAME = handyc	DESIGNED -	REVISED -
	DRAWN -	REVISED -
PLOT SCALE = 100,0000' / in.	CHECKED -	REVISED -
PLOT DATE = 5/6/2021	DATE -	REVISED -

**STATE OF ILLINOIS
DEPARTMENT OF TRANSPORTATION**

US 51 MAINLINE SHOULDER SCHEDULE			
SCALE:	SHEET	OF	SHEETS
STA.	TO STA.		

F.A.P. RTE.	SECTION	COUNTY	TOTAL SHEETS	SHEET NO.
322	4,3,2,1(RS-6)	JACKSON/PERRY	76	33
CONTRACT NO. 78838				
ILLINOIS FED. AID PROJECT				

US 51 PAVEMENT MARKING SCHEDULE CONTINUE

LOCATION STATION TO STATION	LENGTH (INFO. ONLY)	THERMOPLASTIC PAVEMENT MARK LINE										NOTES
		LT. & RT EDGE PMVT. 6"	LEFT LINE 6"	CENTER LINE 6"	RIGHT LANE 6"	CENTER LANE 6"	INTERSECTON LANE 6"	INTERSECTON DIAG LINE 12"	INTERSECTON LANE 24"	LETTERS & SYMBOLS		
		SOLID WHITE	SOLID YELLOW	SKIP-DASH YELLOW	SOLID YELLOW	SKIP-DASH WHITE	SOLID WHITE	SOLID YELLOW	SOLID WHITE	SOLID WHITE		
(JACKSON COUNTY)	FOOT	FOOT	FOOT	FOOT	FOOT	FOOT	FOOT	FOOT	FOOT	SQ FT		
436+11.00 TO 446+38.00	1,027	2,054	1,027	257								
446+38.00 TO 457+15.00	1,077	2,154	270	1,077								
457+15.00 TO 467+67.00	1,052	2,104	1,052	263								
467+67.00 TO 492+45.00	2,478	4,956	620									
492+45.00 TO 498+17.00	572	1,144	143	572								
498+17.00 TO 500+17.89	201	402	201	51								
STA EQ 500+17.89 BK = STA. 508+10.35 AH												
508+10.35 TO 516+76.00	866	1,732	866	217								
516+76.00 TO 625+15.70	10,840	21,680	2,710									
STA EQ 625+15.70 BK = STA. 625+00.00 AH												
625+00.00 TO 687+06.57	6,207	12,414	1,552									
STA EQ 687+06.57 BK = STA. 687+66.53 AH												
687+66.53 TO 727+25.70	3,960	7,920	990									
STA EQ 727+00.00 BK = STA. 727+25.70 AH												
727+25.70 TO 756+20.00	2,895	5,790	724									
756+20.00 TO 757+60.00	140	280	140	140								
757+60.00 TO 763+75.00	615	1,230	1,230	1,230			450		37		TURN LANE-VILLAGE OF DOWELL-UNION AVE RURAL LEFT TURN ONLY & ARROW	
763+75.00 TO 765+00.00	125	250	125	125		125						
765+30.00 TO 771+25.00	595	1,190	1,190	1,190			300				TURN LANE-VILLAGE OF DOWELL-UNION AVE	
771+65.00 TO 773+05.00	140	280	140	140								
773+05.00 TO 782+56.00	951	1,902	951	238								
STA EQ 782+56.00 BK = STA. 782+90.00 AH												
782+90.00 TO 783+10.00	20	40	20	5								
783+10.00 TO 803+22.00	2,012	4,024	503									
(JACKSON COUNTY) SUBTOTAL 2		71,546	6,942	8,543	4,474		125	750		37		
(JACKSON COUNTY) SUBTOTAL 1		81,744	15,317	8,061	15,256		820	1,850	60	148		
TOTALS (JACKSON COUNTY)					212,828			2,600	60	185		
US 51 (PERRY COUNTY)												
803+22.00 TO 810+24.90	703	1,406	176									
STA EQ 810+24.90 BK = STA. 810+00.00 AH												
810+00.00 TO 841+92.00	3,192	6,384	798									
841+92.00 TO 845+08.00	316	632	316	79								
845+08.00 TO 848+78.00	370	740	370	370								
848+78.00 TO 854+19.70	542	1,084	136	542								
STA EQ 854+19.70 BK = STA. 854+17.26 AH												
854+17.26 TO 865+06.20	1,089	2,178	273	1,089								
STA EQ 865+06.20 BK = STA. 865+00.00 AH												
865+00.00 TO 867+17.00	217	434	55	217								
867+17.00 TO 871+27.41	411	822	103									
(PERRY COUNTY) SUBTOTAL 1		13,680	686	1,620	2,218							

MODEL: Default
 FILE NAME: p:\mhammond\dot\illinois\gov\pww\dot\Documents\DOT Office\District 9\Projects\78838\CAD\Drawings\78838-Plan_Sheets.dgn

USER NAME = handyc	DESIGNED -	REVISED -
PLOT SCALE = 100,0000' / in.	DRAWN -	REVISED -
PLOT DATE = 5/6/2021	CHECKED -	REVISED -
	DATE -	REVISED -

**STATE OF ILLINOIS
DEPARTMENT OF TRANSPORTATION**

US 51 PAVEMENT MARKING SCHEDULE			
SCALE:	SHEET	OF	SHEETS
	STA.	TO	STA.

F.A.P RTE.	SECTION	COUNTY	TOTAL SHEETS	SHEET NO.
322	4,3,2,1(RS-6)	JACKSON/PERRY	76	35
CONTRACT NO. 78838				
ILLINOIS FED. AID PROJECT				

US 51 RPM SCHEDULE

LOCATION STATION TO STATION			LENGTH (INFO. ONLY)	RAISED REFLECTIVE PVMT MARKERS ONE-WAY AMBER	RAISED REFLECTIVE PVMT MARKERS TWO-WAY AMBER	RAISED REFLECTIVE PVMT MARKERS ONE-WAY CRYSTAL	RAISED REFLECTIVE PAVEMENT MARKER REMOVAL	NOTES
(JACKSON COUNTY)			FOOT	EACH	EACH	EACH	EACH	
25+68.00	TO	41+47.00	1,579	72	14	4	90	INTERSECTION- INDUSTRIAL PARK
41+47.00	TO	60+93.70	1,947		25		25	
STA EQ 60+93.70 BK = STA. 61+00.00 AH								
61+00.00	TO	73+30.00	1,230		16		16	
73+30.00	TO	75+38.00	208		16		16	DILLINGER RD INTERSECTION
75+38.00	TO	81+51.00	613	31			31	DILLINGER RD -TURN LANES
81+51.00	TO	83+76.00	225		17		17	DILLINGER RD -TURN LANES
83+76.00	TO	90+96.00	720	36		18	54	
90+96.00	TO	97+00.00	604		8		8	
97+00.00	TO	99+25.00	225		17		17	AIRPORT RD INTERSECTION-DOUBLE YELLOW
99+25.00	TO	103+05.00	380	19			19	AIRPORT RD INTERSECTION-TURN LANES
103+05.00	TO	104+25.00	120		9	3	12	AIRPORT RD INTERSECTION-TURN LANES
104+25.00	TO	105+45.80	71		6		6	AIRPORT RD INTERSECTION- DOUBLE YELLOW
STA EQ 105+45.80 BK = 105+50.00 AH								
105+50.00	TO	108+00.00	250		19		19	
108+00.00	TO	152+19.49	4,420		56		56	
STA EQ 152+19.49 BK = STA. 152+20.24								
152+20.24	TO	174+30.48	2,211		28		28	
174+30.48 TO 177+94.66 GAP STR. SN 039-0065								
177+94.66		195+59.60	1,765		23		23	
STA EQ 195+59.60 BK = STA. 195+55.58								
195+59.60	TO	214+74.80	1,916		24		24	
STA EQ 214+41.70 BK = STA. 214+74.80 AH								
214+74.80	TO	313+06.50	9,832		123		123	
STA EQ 313+06.50 BK = STA. 313+00.00								
313+00.00	TO	429+91.00	11,691		147		147	
429+91.00 TO 430+97.00 GAP STR. SN 039-0052								
430+97.00	TO	500+17.89	6,921		87		87	
STA EQ 500+17.89 BK = STA. 508+10.35								
508+10.35	TO	625+15.70	11,706		147		147	
STA EQ 625+15.70 BK = STA. 625+00.00 A								
625+00.00	TO	641+72.00	1,672		21		21	
641+72.00 TO 641+98.00 GAP STR. SN 039-0002								
641+98.00	TO	669+33.69	2,736		35		35	
669+33.69	TO	677+14.06	781		20		20	CURVE SECTION
677+14.06	TO	680+02.89	289		4		4	
680+02.89	TO	687+06.57	704		18		18	CURVE SECTION
STA EQ 687+06.57 BK = STA. 687+66.53 AH								
687+66.53	TO	727+00.00	3,934		50		50	
(JACKSON COUNTY) SUBTOTAL 1				158	930	25	1,113	

MODEL: Default
 FILE NAME: p:\data\mason.dwg
 PROJECT: 78838-CA00DataCAD\Project\0778838.dwg
 SHEETS: 37

USER NAME = handyc	DESIGNED -	REVISED -
PLOT SCALE = 100,0000' / in.	CHECKED -	REVISED -
PLOT DATE = 5/6/2021	DATE -	REVISED -

**STATE OF ILLINOIS
DEPARTMENT OF TRANSPORTATION**

US 51 PAVEMENT DELINEATION			
SCALE:	SHEET	OF	SHEETS
	STA.	TO	STA.

F.A.P. RTE.	SECTION	COUNTY	TOTAL SHEETS	SHEET NO.
322	4,3,2,1(RS-6)	JACKSON/PERRY	76	37
CONTRACT NO. 78838				
ILLINOIS FED. AID PROJECT				

US 51 RPM SCHEDULE CONT

LOCATION STATION TO STATION	LENGTH (INFO. ONLY)	RAISED REFLECTIVE PVMT MARKERS ONE-WAY AMBER	RAISED REFLECTIVE PVMT MARKERS TWO-WAY AMBER	RAISED REFLECTIVE PVMT MARKERS ONE-WAY CRYSTAL	RAISED REFLECTIVE PAVEMENT MARKER REMOVAL	NOTES
(JACKSON COUNTY)	FOOT	EACH	EACH	EACH	EACH	
STA EQ 727+00.00 BK = STA. 727+25.70 AH						
727+25.70	TO	755+40.00	2,815		36	
755+40.00 TO 756+20.00 GAP STR. SN 039-2030						
756+20.00	TO	757+60.00	140		11	
757+60.00	TO	764+00.00	640	32		TURN LANE-VILLAGE OF DOWELL-UNION AVE
764+00.00	TO	765+00.00	100		8	
765+30.00	TO	771+25.00	595	33		TURN LANE-VILLAGE OF DOWELL-UNION AVE
771+65.00	TO	773+05.00	140		11	VILLAGE OF DOWELL- INTERSECTION
773+05.00	TO	782+56.00	951		12	
STA EQ 782+56.00 BK = STA. 782+90.00 AH						
782+90.00	TO	787+50.00	460		6	
787+50.00 TO 787+92.70 GAP STR. SN 039-0001						
787+92.70	TO	803+22.00	1,530		20	
(JACKSON COUNTY) SUBTOTAL 2			65	104	169	
(JACKSON COUNTY) SUBTOTAL 1			158	930	25	1,113
(JACKSON COUNTY) TOTALS				1,282	1,282	
US-51 (PERRY COUNTY)						
803+22.00	TO	810+24.90	703		9	
STA EQ 810+24.90 BK = STA. 810+00.00 AH						
810+00.00	TO	854+19.70	4,420		56	
STA EQ 854+19.70 BK = STA. 854+17.26 AH						
854+17.26	TO	865+06.20	1,089		14	
STA EQ 865+06.20 BK = STA. 865+00.00 AH						
865+00.00	TO	871+27.41	628		8	
STA EQ 871+26.30 BK = STA. 871+27.41 AH						
871+27.41	TO	879+22.00	795	80		INTERSECTION
879+22.00	TO	883+38.00	416		64	33
884+16.00	TO	887+28.00	312		24	25
887+28.00	TO	887+85.00	57		5	5
887+85.00	TO	889+94.20	210		21	11
STA EQ 889+94.2 BK = STA. 890+00.00 AH						
890+00.00	TO	967+19.00	7,719		772	386
971+95.00	TO	973+03.00	108		18	10
973+03.00	TO	977+40.00	437		44	22
(PERRY COUNTY) TOTALS			80	1,035	487	1,602
(JACKSON COUNTY) TOTALS			223	1,034	25	1,282
US 51 TOTALS				2,884	2,884	

MODEL: Default
 FILE NAME: p:\pub\amr\amr\0000000000\illinois.gov\PIWDOT\Documents\DOT_Office\Drawings\9\Projects\78838\CA00Data\CAD\Drawings\0778838.dgn_Sheets.dgn

USER NAME = handyc	DESIGNED -	REVISED -	
	DRAWN -	REVISED -	
PLOT SCALE = 100,0000' / in.	CHECKED -	REVISED -	
PLOT DATE = 5/6/2021	DATE -	REVISED -	

**STATE OF ILLINOIS
DEPARTMENT OF TRANSPORTATION**

US 51 PAVEMENT DELINEATION			
SCALE:	SHEET	OF	SHEETS
	STA.	TO	STA.

F.A.P. RTE.	SECTION	COUNTY	TOTAL SHEETS	SHEET NO.
322	4,3,2,1(RS-6)	JACKSON/PERRY	76	38
CONTRACT NO. 78838				
ILLINOIS FED. AID PROJECT				

PAVEMENT PATCHING CONT.

MM	PATCH	W	L	AREA	CLASS C PATCHES TY I 16"	CLASS C PATCHES TY II 16"	CLASS C PATCHES TY III 16"	CLASS C PATCHES TY IV 16"
	#	FT	FT	SQ YD				
JACKSON COUNTY								
3	96	4.0	250.0	111.1				111.1
3	97	12.0	12.0	16.0			16.0	
3	98	12.0	6.0	8.0		8.0		
3	99	12.0	4.0	5.3		5.3		
3	100	12.0	4.0	5.3		5.3		
3	101	12.0	4.0	5.3		5.3		
3	106	12.0	6.0	8.0		8.0		
3	107	12.0	6.0	8.0		8.0		
3	108	12.0	8.0	10.7		10.7		
3	109	12.0	8.0	10.7		10.7		
3	110	12.0	6.0	8.0		8.0		
3	111	12.0	6.0	8.0		8.0		
3	112	12.0	10.0	13.3		13.3		
3	113	12.0	6.0	8.0		8.0		
3	114	12.0	6.0	8.0		8.0		
3	115	12.0	4.0	5.3		5.3		
3	116	12.0	4.0	5.3		5.3		
3	117	12.0	4.0	5.3		5.3		
3	118	12.0	4.0	5.3		5.3		
3	119	12.0	4.0	5.3		5.3		
3	120	12.0	4.0	5.3		5.3		
3	121	12.0	4.0	5.3		5.3		
3	122	12.0	4.0	5.3		5.3		
3	123	12.0	4.0	5.3		5.3		
3	124	12.0	4.0	5.3		5.3		
3	125	12.0	4.0	5.3		5.3		
3	126	12.0	4.0	5.3		5.3		
3	127	12.0	8.0	10.7		10.7		
3	128	12.0	10.0	13.3		13.3		
3	129	12.0	8.0	10.7		10.7		
3	130	12.0	10.0	13.3		13.3		
3	131	12.0	6.0	8.0		8.0		
3	132	12.0	8.0	10.7		10.7		
3	133	12.0	8.0	10.7		10.7		
3	134	12.0	12.0	16.0			16.0	
3	135	12.0	8.0	10.7		10.7		
3	136	12.0	8.0	10.7		10.7		
3	138	4.0	250.0	111.1				111.1
3	139	12.0	8.0	10.7		10.7		
3	140	12.0	8.0	10.7		10.7		
3	141	12.0	6.0	8.0		8.0		
3	142	12.0	6.0	8.0		8.0		
3	143	12.0	10.0	13.3		13.3		
4	144	12.0	6.0	8.0		8.0		
JACKSON CO SUBTOTAL 3					0.0	327.7	32.0	222.2

PAVEMENT PATCHING CONT.

MM	PATCH	W	L	AREA	CLASS C PATCHES TY I 16"	CLASS C PATCHES TY II 16"	CLASS C PATCHES TY III 16"	CLASS C PATCHES TY IV 16"
	#	FT	FT	SQ YD				
JACKSON COUNTY								
4	145	12.0	4.0	5.3		5.3		
4	146	12.0	4.0	5.3		5.3		
4	147	12.0	4.0	5.3		5.3		
4	148	12.0	4.0	5.3		5.3		
4	149	12.0	4.0	5.3		5.3		
4	150	12.0	4.0	5.3		5.3		
4	151	12.0	6.0	8.0		8.0		
4	152	12.0	10.0	13.3		13.3		
4	153	12.0	10.0	13.3		13.3		
4	154	12.0	10.0	13.3		13.3		
4	155	12.0	10.0	13.3		13.3		
4	156	12.0	10.0	13.3		13.3		
4	157	12.0	6.0	8.0		8.0		
4	158	12.0	4.0	5.3		5.3		
4	159	12.0	4.0	5.3		5.3		
4	160	12.0	4.0	5.3		5.3		
4	161	12.0	4.0	5.3		5.3		
4	162	12.0	4.0	5.3		5.3		
4	167	12.0	4.0	5.3		5.3		
4	168	12.0	4.0	5.3		5.3		
4	169	12.0	4.0	5.3		5.3		
4	170	12.0	4.0	5.3		5.3		
4	171	12.0	6.0	8.0		8.0		
4	172	12.0	6.0	8.0		8.0		
4	173	12.0	10.0	13.3		13.3		
4	174	12.0	8.0	10.7		10.7		
4	175	12.0	8.0	10.7		10.7		
4	176	12.0	15.0	20.0			20.0	
4	177	12.0	12.0	16.0			16.0	
4	178	12.0	12.0	16.0			16.0	
4	179	12.0	8.0	10.7		10.7		
4	180	12.0	8.0	10.7		10.7		
4	181	12.0	6.0	8.0		8.0		
4	182	12.0	6.0	8.0		8.0		
4	183	12.0	6.0	8.0		8.0		
4	184	4.0	250.0	111.1				111.1
4	185	12.0	12.0	16.0			16.0	
4	186	12.0	8.0	10.7		10.7		
4	187	12.0	8.0	10.7		10.7		
4	188	12.0	6.0	8.0		8.0		
4	189	12.0	4.0	5.3		5.3		
4	190	12.0	4.0	5.3		5.3		
4	191	12.0	4.0	5.3		5.3		
4	192	12.0	4.0	5.3		5.3		
JACKSON CO SUBTOTAL 4					0.0	308.7	68.0	111.1

MODEL: Default
 FILE: M:\MIS\pav\jackson\pav\DOT\Documents\DOT - Office\Drawings\9\Projects\78838\CAD\Drawings\DOT\78838-Plan_Sheets.dgn

USER NAME = handycr	DESIGNED -	REVISED -
	DRAWN -	REVISED -
PLOT SCALE = 100,0000' / in.	CHECKED -	REVISED -
PLOT DATE = 5/6/2021	DATE -	REVISED -

**STATE OF ILLINOIS
DEPARTMENT OF TRANSPORTATION**

**US 51
PAVEMENT PATCHING SCHEDULE**

SCALE: SHEET OF SHEETS STA. TO STA.

F.A.P. RTE.	SECTION	COUNTY	TOTAL SHEETS	SHEET NO.
322	4,3,2,1(RS-6)	JACKSON/PERRY	76	42
CONTRACT NO. 78838				
ILLINOIS FED. AID PROJECT				

PAVEMENT PATCHING CONT.

MM	PATCH	W	L	AREA	CLASS C PATCHES TY I 16"	CLASS C PATCHES TY II 16"	CLASS C PATCHES TY III 16"	CLASS C PATCHES TY IV 16"
	#	FT	FT	SQ YD				
JACKSON COUNTY								
5	285	12.0	4.0	5.3		5.3		
5	286	12.0	6.0	8.0		8.0		
5	287	12.0	12.0	16.0			16.0	
5	288	12.0	12.0	16.0			16.0	
5	289	12.0	6.0	8.0		8.0		
5	290	12.0	6.0	8.0		8.0		
5	291	12.0	6.0	8.0		8.0		
5	292	12.0	12.0	16.0			16.0	
5	293	12.0	12.0	16.0			16.0	
5	294	12.0	10.0	13.3		13.3		
5	295	12.0	10.0	13.3		13.3		
5	296	12.0	20.0	26.7				26.7
5	297	12.0	20.0	26.7				26.7
5	298	12.0	20.0	26.7				26.7
5	299	12.0	20.0	26.7				26.7
5	300	12.0	6.0	8.0		8.0		
5	301	12.0	6.0	8.0		8.0		
5	302	12.0	6.0	8.0		8.0		
5	303	12.0	6.0	8.0		8.0		
5	304	12.0	4.0	5.3		5.3		
5	305	12.0	4.0	5.3		5.3		
5	312	12.0	4.0	5.3		5.3		
5	313	12.0	4.0	5.3		5.3		
5	314	12.0	4.0	5.3		5.3		
5	315	12.0	4.0	5.3		5.3		
5	316	12.0	4.0	5.3		5.3		
5	317	12.0	4.0	5.3		5.3		
5	318	12.0	6.0	8.0		8.0		
5	319	12.0	6.0	8.0		8.0		
5	320	12.0	6.0	8.0		8.0		
5	321	12.0	6.0	8.0		8.0		
5	322	12.0	12.0	16.0			16.0	
5	323	12.0	6.0	8.0		8.0		
5	324	12.0	6.0	8.0		8.0		
5	325	12.0	6.0	8.0		8.0		
5	326	12.0	6.0	8.0		8.0		
6	327	12.0	15.0	20.0			20.0	
6	328	12.0	15.0	20.0			20.0	
6	329	12.0	8.0	10.7		10.7		
6	330	12.0	8.0	10.7		10.7		
6	331	12.0	6.0	8.0		8.0		
6	332	12.0	6.0	8.0		8.0		
6	333	12.0	6.0	8.0		8.0		
6	334	12.0	6.0	8.0		8.0		
JACKSON CO SUBTOTAL 7					0.0	255.7	120.0	106.8

PAVEMENT PATCHING CONT.

MM	PATCH	W	L	AREA	CLASS C PATCHES TY I 16"	CLASS C PATCHES TY II 16"	CLASS C PATCHES TY III 16"	CLASS C PATCHES TY IV 16"
	#	FT	FT	SQ YD				
JACKSON COUNTY								
6	335	12.0	6.0	8.0		8.0		
6	336	12.0	6.0	8.0		8.0		
6	337	12.0	6.0	8.0		8.0		
6	338	12.0	6.0	8.0		8.0		
6	339	12.0	6.0	8.0		8.0		
6	340	12.0	6.0	8.0		8.0		
6	341	12.0	6.0	8.0		8.0		
6	342	12.0	6.0	8.0		8.0		
6	343	12.0	8.0	10.7			10.7	
6	344	12.0	8.0	10.7			10.7	
6	345	12.0	6.0	8.0		8.0		
6	346	12.0	6.0	8.0		8.0		
6	347	12.0	6.0	8.0		8.0		
6	348	12.0	6.0	8.0		8.0		
6	349	12.0	4.0	5.3		5.3		
6	350	12.0	4.0	5.3		5.3		
6	351	12.0	4.0	5.3		5.3		
6	352	12.0	4.0	5.3		5.3		
6	353	12.0	4.0	5.3		5.3		
6	354	12.0	4.0	5.3		5.3		
6	355	12.0	4.0	5.3		5.3		
6	356	12.0	4.0	5.3		5.3		
6	357	12.0	4.0	5.3		5.3		
6	358	12.0	4.0	5.3		5.3		
6	359	12.0	4.0	5.3		5.3		
6	360	12.0	4.0	5.3		5.3		
6	366	12.0	4.0	5.3		5.3		
6	367	12.0	4.0	5.3		5.3		
6	368	12.0	4.0	5.3		5.3		
6	369	12.0	4.0	5.3		5.3		
6	370	12.0	4.0	5.3		5.3		
6	371	12.0	10.0	13.3			13.3	
6	372	12.0	10.0	13.3			13.3	
6	373	12.0	4.0	5.3		5.3		
6	374	12.0	4.0	5.3		5.3		
6	375	12.0	4.0	5.3		5.3		
6	376	12.0	4.0	5.3		5.3		
6	377	12.0	4.0	5.3		5.3		
6	378	12.0	4.0	5.3		5.3		
6	379	12.0	4.0	5.3		5.3		
6	380	12.0	4.0	5.3		5.3		
6	381	12.0	4.0	5.3		5.3		
6	382	12.0	4.0	5.3		5.3		
6	383	12.0	4.0	5.3		5.3		
JACKSON CO SUBTOTAL 8					0.0	292.4	0.0	0.0

MODEL: Default
 FILE NAME: p:\data\harron\dot\illinois\gov\p\p\DOT\Documents\DOT_Office\District_9\Projects\78838\CAAD\DATA\AD\patches\0778838\Pln_Sheets.dgn

USER NAME = handycr	DESIGNED -	REVISED -
	DRAWN -	REVISED -
PLOT SCALE = 100,0000' / in.	CHECKED -	REVISED -
PLOT DATE = 5/6/2021	DATE -	REVISED -

**STATE OF ILLINOIS
DEPARTMENT OF TRANSPORTATION**

**US 51
PAVEMENT PATCHING SCHEDULE**

SCALE: SHEET OF SHEETS STA. TO STA.

F.A.P. RTE.	SECTION	COUNTY	TOTAL SHEETS	SHEET NO.
322	4,3,2,1(RS-6)	JACKSON/PERRY	76	44
CONTRACT NO. 78838				
		ILLINOIS	FED. AID PROJECT	

PAVEMENT PATCHING CONT.

MM	PATCH	W	L	AREA	CLASS C PATCHES TY I 16"	CLASS C PATCHES TY II 16"	CLASS C PATCHES TY III 16"	CLASS C PATCHES TY IV 16"
	#	FT	FT	SQ YD				
JACKSON COUNTY								
6	384	12.0	4.0	5.3		5.3		
6	385	12.0	4.0	5.3		5.3		
6	386	12.0	4.0	5.3		5.3		
6	387	12.0	4.0	5.3		5.3		
6	388	12.0	4.0	5.3		5.3		
6	389	12.0	4.0	5.3		5.3		
6	390	12.0	4.0	5.3		5.3		
6	391	12.0	4.0	5.3		5.3		
6	392	12.0	4.0	5.3		5.3		
6	393	12.0	4.0	5.3		5.3		
6	394	12.0	4.0	5.3		5.3		
6	395	12.0	4.0	5.3		5.3		
6	396	12.0	4.0	5.3		5.3		
7	397	12.0	4.0	5.3		5.3		
7	398	12.0	4.0	5.3		5.3		
7	399	12.0	4.0	5.3		5.3		
7	400	12.0	4.0	5.3		5.3		
7	401	12.0	4.0	5.3		5.3		
7	402	12.0	4.0	5.3		5.3		
7	403	12.0	4.0	5.3		5.3		
7	404	12.0	4.0	5.3		5.3		
7	405	12.0	4.0	5.3		5.3		
7	406	12.0	4.0	5.3		5.3		
7	407	12.0	4.0	5.3		5.3		
7	408	12.0	4.0	5.3		5.3		
7	409	12.0	4.0	5.3		5.3		
7	410	12.0	4.0	5.3		5.3		
7	411	12.0	4.0	5.3		5.3		
7	412	12.0	4.0	5.3		5.3		
7	413	12.0	4.0	5.3		5.3		
7	414	12.0	4.0	5.3		5.3		
7	415	12.0	4.0	5.3		5.3		
7	416	12.0	4.0	5.3		5.3		
7	417	12.0	4.0	5.3		5.3		
7	418	12.0	4.0	5.3		5.3		
7	424	12.0	4.0	5.3		5.3		
8	425	12.0	4.0	5.3		5.3		
8	426	12.0	4.0	5.3		5.3		
8	427	12.0	4.0	5.3		5.3		
8	428	12.0	4.0	5.3		5.3		
8	429	12.0	4.0	5.3		5.3		
8	430	12.0	10.0	13.3		13.3		
8	431	12.0	10.0	13.3		13.3		
8	432	12.0	4.0	5.3		5.3		
JACKSON CO SUBTOTAL 9					0.0	249.2	0.0	0.0

PAVEMENT PATCHING CONT.

MM	PATCH	W	L	AREA	CLASS C PATCHES TY I 16"	CLASS C PATCHES TY II 16"	CLASS C PATCHES TY III 16"	CLASS C PATCHES TY IV 16"
	#	FT	FT	SQ YD				
JACKSON COUNTY								
8	433	12.0	4.0	5.3		5.3		
8	434	12.0	4.0	5.3		5.3		
8	435	12.0	4.0	5.3		5.3		
8	436	12.0	4.0	5.3		5.3		
8	437	12.0	4.0	5.3		5.3		
8	438	12.0	4.0	5.3		5.3		
8	439	12.0	4.0	5.3		5.3		
8	440	12.0	4.0	5.3		5.3		
8	441	12.0	4.0	5.3		5.3		
8	442	12.0	4.0	5.3		5.3		
8	443	12.0	4.0	5.3		5.3		
8	444	12.0	4.0	5.3		5.3		
8	445	12.0	4.0	5.3		5.3		
8	446	12.0	4.0	5.3		5.3		
8	447	12.0	4.0	5.3		5.3		
8	448	12.0	4.0	5.3		5.3		
8	449	12.0	4.0	5.3		5.3		
8	450	12.0	4.0	5.3		5.3		
8	451	12.0	4.0	5.3		5.3		
8	452	12.0	4.0	5.3		5.3		
8	453	12.0	4.0	5.3		5.3		
8	454	12.0	4.0	5.3		5.3		
8	455	12.0	4.0	5.3		5.3		
8	456	12.0	4.0	5.3		5.3		
8	457	12.0	4.0	5.3		5.3		
8	458	12.0	4.0	5.3		5.3		
8	459	12.0	4.0	5.3		5.3		
8	460	12.0	4.0	5.3		5.3		
9	465	12.0	4.0	5.3		5.3		
9	466	12.0	4.0	5.3		5.3		
9	467	12.0	4.0	5.3		5.3		
9	468	12.0	4.0	5.3		5.3		
9	469	12.0	4.0	5.3		5.3		
9	470	12.0	4.0	5.3		5.3		
9	471	12.0	4.0	5.3		5.3		
9	472	12.0	10.0	13.3		13.3		
9	473	12.0	10.0	13.3		13.3		
9	474	12.0	6.0	8.0		8.0		
9	475	12.0	6.0	8.0		8.0		
9	476	12.0	4.0	5.3		5.3		
9	477	12.0	4.0	5.3		5.3		
9	478	12.0	4.0	5.3		5.3		
9	479	12.0	4.0	5.3		5.3		
9	480	12.0	4.0	5.3		5.3		
JACKSON CO SUBTOTAL 10					0.0	254.6	0.0	0.0

MODEL: Default
 FILE: M:\MIS\pav\jackson\DOT\Documents\DOT_Office\Drawings\9\Projects\78838\CAD\Drawings\DOT\78838\Plan_Sheets.dgn

USER NAME = handyc	DESIGNED -	REVISED -
PLOT SCALE = 100,0000' / in.	DRAWN -	REVISED -
PLOT DATE = 5/6/2021	CHECKED -	REVISED -
	DATE -	REVISED -

**STATE OF ILLINOIS
DEPARTMENT OF TRANSPORTATION**

**US 51
PAVEMENT PATCHING SCHEDULE**

SCALE: SHEET OF SHEETS STA. TO STA.

F.A.P. RTE.	SECTION	COUNTY	TOTAL SHEETS	SHEET NO.
322	4,3,2,1(RS-6)	JACKSON/PERRY	76	45
CONTRACT NO. 78838				
ILLINOIS FED. AID PROJECT				

PAVEMENT PATCHING CONT.

MM	PATCH	W	L	AREA	CLASS C PATCHES TY I 16"	CLASS C PATCHES TY II 16"	CLASS C PATCHES TY III 16"	CLASS C PATCHES TY IV 16"
	#	FT	FT	SQ YD				
JACKSON COUNTY								
9	481	12.0	4.0	5.3		5.3		
9	482	6.0	6.0	4.0	4.0			
9	483	12.0	4.0	5.3		5.3		
9	484	12.0	4.0	5.3		5.3		
9	485	12.0	8.0	10.7		10.7		
9	486	12.0	8.0	10.7		10.7		
9	487	12.0	10.0	13.3		13.3		
9	488	12.0	10.0	13.3		13.3		
10	489	12.0	4.0	5.3		5.3		
10	490	12.0	4.0	5.3		5.3		
10	491	12.0	4.0	5.3		5.3		
10	492	12.0	4.0	5.3		5.3		
10	493	12.0	4.0	5.3		5.3		
10	494	12.0	4.0	5.3		5.3		
10	495	12.0	4.0	5.3		5.3		
10	496	12.0	4.0	5.3		5.3		
10	497	12.0	4.0	5.3		5.3		
10	498	12.0	4.0	5.3		5.3		
10	499	12.0	4.0	5.3		5.3		
10	500	12.0	10.0	13.3		13.3		
10	501	12.0	10.0	13.3		13.3		
10	502	12.0	6.0	8.0		8.0		
10	503	12.0	6.0	8.0		8.0		
10	504	12.0	4.0	5.3		5.3		
10	505	12.0	4.0	5.3		5.3		
10	506	12.0	4.0	5.3		5.3		
10	507	12.0	4.0	5.3		5.3		
10	508	12.0	15.0	20.0			20.0	
10	509	12.0	15.0	20.0			20.0	
10	510	12.0	6.0	8.0		8.0		
10	511	12.0	6.0	8.0		8.0		
10	512	12.0	6.0	8.0		8.0		
10	513	12.0	6.0	8.0		8.0		
10	514	12.0	4.0	5.3		5.3		
10	515	12.0	12.0	16.0			16.0	
10	516	12.0	12.0	16.0			16.0	
10	517	12.0	4.0	5.3		5.3		
10	518	12.0	4.0	5.3		5.3		
10	519	12.0	4.0	5.3		5.3		
10	520	12.0	4.0	5.3		5.3		
10	521	12.0	4.0	5.3		5.3		
10	522	12.0	4.0	5.3		5.3		
10	523	12.0	4.0	5.3		5.3		
10	524	12.0	4.0	5.3		5.3		
JACKSON CO SUBTOTAL 11					4.0	265.7	72.0	0.0

PAVEMENT PATCHING CONT.

MM	PATCH	W	L	AREA	CLASS C PATCHES TY I 16"	CLASS C PATCHES TY II 16"	CLASS C PATCHES TY III 16"	CLASS C PATCHES TY IV 16"
	#	FT	FT	SQ YD				
JACKSON COUNTY								
11	525	12.0	8.0	10.7		10.7		
11	526	12.0	8.0	10.7		10.7		
11	527	12.0	6.0	8.0		8.0		
11	528	12.0	6.0	8.0		8.0		
11	529	12.0	4.0	5.3		5.3		
11	530	12.0	4.0	5.3		5.3		
11	531	12.0	4.0	5.3		5.3		
11	532	12.0	4.0	5.3		5.3		
11	533	12.0	4.0	5.3		5.3		
11	534	12.0	4.0	5.3		5.3		
11	535	12.0	8.0	10.7		10.7		
11	536	12.0	8.0	10.7		10.7		
11	537	12.0	8.0	10.7		10.7		
11	538	12.0	8.0	10.7		10.7		
11	539	12.0	4.0	5.3		5.3		
11	540	12.0	4.0	5.3		5.3		
11	541	12.0	4.0	5.3		5.3		
11	542	12.0	4.0	5.3		5.3		
11	548	12.0	4.0	5.3		5.3		
11	549	12.0	4.0	5.3		5.3		
11	550	12.0	4.0	5.3		5.3		
11	551	6.0	6.0	4.0	4.0			
11	552	12.0	4.0	5.3		5.3		
11	553	12.0	4.0	5.3		5.3		
11	554	12.0	4.0	5.3		5.3		
11	555	12.0	4.0	5.3		5.3		
11	556	12.0	4.0	5.3		5.3		
11	557	12.0	4.0	5.3		5.3		
11	558	12.0	4.0	5.3		5.3		
11	559	12.0	4.0	5.3		5.3		
11	560	12.0	4.0	5.3		5.3		
11	561	12.0	4.0	5.3		5.3		
11	562	12.0	4.0	5.3		5.3		
11	563	12.0	4.0	5.3		5.3		
11	564	12.0	4.0	5.3		5.3		
11	565	12.0	4.0	5.3		5.3		
11	566	12.0	4.0	5.3		5.3		
11	567	12.0	4.0	5.3		5.3		
11	568	12.0	4.0	5.3		5.3		
12	569	12.0	4.0	5.3		5.3		
12	570	12.0	4.0	5.3		5.3		
12	571	12.0	4.0	5.3		5.3		
12	572	12.0	4.0	5.3		5.3		
12	573	12.0	4.0	5.3		5.3		
JACKSON CO SUBTOTAL 12					4.0	265.7	0.0	0.0

MODEL: Default
FILE NAME: p:\data\masonr\dot\illinois\pwr\pwr\DOT\Documents\DOT_Office\District_9\Projects\78838\CAD\Drawings\DOT\78838\Plan_Sheets.dgn

USER NAME = handyc	DESIGNED -	REVISED -
	DRAWN -	REVISED -
PLOT SCALE = 100,0000' / in.	CHECKED -	REVISED -
PLOT DATE = 5/6/2021	DATE -	REVISED -

**STATE OF ILLINOIS
DEPARTMENT OF TRANSPORTATION**

**US 51
PAVEMENT PATCHING SCHEDULE**

SCALE: SHEET OF SHEETS STA. TO STA.

F.A.P. RTE.	SECTION	COUNTY	TOTAL SHEETS	SHEET NO.
322	4,3,2,1(RS-6)	JACKSON/PERRY	76	46
CONTRACT NO. 78838				
ILLINOIS FED. AID PROJECT				

PAVEMENT PATCHING CONT.

MM	PATCH #	W FT	L FT	AREA SQ YD	CLASS C PATCHES TY I 16"	CLASS C PATCHES TY II 16"	CLASS C PATCHES TY III 16"	CLASS C PATCHES TY IV 16"
JACKSON COUNTY								
12	574	12.0	4.0	5.3		5.3		
12	575	12.0	4.0	5.3		5.3		
12	576	12.0	8.0	10.7		10.7		
12	577	12.0	8.0	10.7		10.7		
12	578	12.0	4.0	5.3		5.3		
12	579	12.0	4.0	5.3		5.3		
12	580	12.0	4.0	5.3		5.3		
12	581	12.0	4.0	5.3		5.3		
12	582	12.0	4.0	5.3		5.3		
12	583	12.0	4.0	5.3		5.3		
12	584	12.0	4.0	5.3		5.3		
12	585	12.0	4.0	5.3		5.3		
12	586	12.0	4.0	5.3		5.3		
12	587	12.0	4.0	5.3		5.3		
12	588	12.0	4.0	5.3		5.3		
12	589	12.0	4.0	5.3		5.3		
12	590	12.0	4.0	5.3		5.3		
12	591	12.0	4.0	5.3		5.3		
12	592	12.0	4.0	5.3		5.3		
12	593	12.0	4.0	5.3		5.3		
12	594	12.0	4.0	5.3		5.3		
12	595	12.0	4.0	5.3		5.3		
12	596	12.0	4.0	5.3		5.3		
12	597	12.0	4.0	5.3		5.3		
12	598	12.0	4.0	5.3		5.3		
12	599	12.0	4.0	5.3		5.3		
12	600	12.0	4.0	5.3		5.3		
12	601	12.0	4.0	5.3		5.3		
12	602	12.0	4.0	5.3		5.3		
12	603	12.0	4.0	5.3		5.3		
12	604	12.0	4.0	5.3		5.3		
12	605	12.0	4.0	5.3		5.3		
12	606	12.0	4.0	5.3		5.3		
12	607	6.0	6.0	4.0	4.0			
12	608	12.0	4.0	5.3		5.3		
12	609	12.0	8.0	10.7		10.7		
12	610	12.0	8.0	10.7		10.7		
12	611	12.0	8.0	10.7		10.7		
12	612	12.0	8.0	10.7		10.7		
12	613	12.0	8.0	10.7		10.7		
12	614	12.0	8.0	10.7		10.7		
12	615	12.0	4.0	5.3		5.3		
12	616	12.0	4.0	5.3		5.3		
12	617	12.0	4.0	5.3		5.3		
JACKSON CO SUBTOTAL 13					4.0	271.1	0.0	0.0

PAVEMENT PATCHING CONT.

MM	PATCH #	W FT	L FT	AREA SQ YD	CLASS C PATCHES TY I 16"	CLASS C PATCHES TY II 16"	CLASS C PATCHES TY III 16"	CLASS C PATCHES TY IV 16"
JACKSON COUNTY								
12	618	12.0	4.0	5.3		5.3		
12	619	12.0	4.0	5.3		5.3		
12	620	12.0	4.0	5.3		5.3		
12	621	12.0	4.0	5.3		5.3		
12	622	12.0	4.0	5.3		5.3		
13	623	12.0	10.0	13.3		13.3		
13	624	12.0	8.0	10.7		10.7		
13	625	12.0	4.0	5.3		5.3		
13	626	12.0	4.0	5.3		5.3		
13	627	12.0	4.0	5.3		5.3		
13	628	12.0	4.0	5.3		5.3		
13	629	12.0	4.0	5.3		5.3		
13	630	12.0	4.0	5.3		5.3		
13	631	12.0	8.0	10.7		10.7		
13	632	12.0	8.0	10.7		10.7		
13	633	12.0	10.0	13.3		13.3		
13	634	12.0	10.0	13.3		13.3		
13	635	12.0	4.0	5.3		5.3		
13	636	12.0	4.0	5.3		5.3		
13	637	6.0	6.0	4.0	4.0			
13	638	12.0	4.0	5.3		5.3		
13	639	12.0	4.0	5.3		5.3		
13	640	12.0	4.0	5.3		5.3		
13	641	12.0	4.0	5.3		5.3		
13	642	12.0	4.0	5.3		5.3		
13	643	12.0	4.0	5.3		5.3		
13	644	12.0	4.0	5.3		5.3		
13	645	12.0	4.0	5.3		5.3		
13	646	12.0	4.0	5.3		5.3		
13	647	12.0	4.0	5.3		5.3		
13	648	12.0	4.0	5.3		5.3		
13	649	12.0	4.0	5.3		5.3		
13	650	12.0	4.0	5.3		5.3		
13	651	12.0	4.0	5.3		5.3		
13	652	12.0	10.0	13.3		13.3		
13	653	12.0	10.0	13.3		13.3		
13	654	12.0	10.0	13.3		13.3		
13	655	12.0	10.0	13.3		13.3		
13	656	12.0	10.0	13.3		13.3		
14	657	12.0	20.0	26.7				26.7
14	658	12.0	20.0	26.7				26.7
14	659	12.0	4.0	5.3		5.3		
14	660	12.0	4.0	5.3		5.3		
14	661	12.0	4.0	5.3		5.3		
JACKSON CO SUBTOTAL 14					4.0	297.5	0.0	53.4

MODEL: Default
 FILE: M:\MISC - 2021\78838\78838\DOT Documents\DOT Office\Drawings\9\Projects\78838\CADData\CAD\Drawings\78838\Bln_Sheets.dgn

USER NAME = handycr	DESIGNED -	REVISED -
	DRAWN -	REVISED -
PLOT SCALE = 100,0000' / in.	CHECKED -	REVISED -
PLOT DATE = 5/6/2021	DATE -	REVISED -

**STATE OF ILLINOIS
DEPARTMENT OF TRANSPORTATION**

**US 51
PAVEMENT PATCHING SCHEDULE**

SCALE: SHEET OF SHEETS STA. TO STA.

F.A.P. RTE.	SECTION	COUNTY	TOTAL SHEETS	SHEET NO.
322	4,3,2,1(RS-6)	JACKSON/PERRY	76	47
CONTRACT NO. 78838				
ILLINOIS FED. AID PROJECT				

PAVEMENT PATCHING CONT.

MM	PATCH	W	L	AREA	CLASS C PATCHES TY I 16"	CLASS C PATCHES TY II 16"	CLASS C PATCHES TY III 16"	CLASS C PATCHES TY IV 16"
	#	FT	FT	SQ YD				
JACKSON COUNTY								
14	662	12.0	4.0	5.3		5.3		
14	663	12.0	4.0	5.3		5.3		
14	664	12.0	4.0	5.3		5.3		
14	665	12.0	4.0	5.3		5.3		
14	666	12.0	4.0	5.3		5.3		
14	667	12.0	4.0	5.3		5.3		
14	668	12.0	4.0	5.3		5.3		
14	669	12.0	4.0	5.3		5.3		
14	670	12.0	4.0	5.3		5.3		
14	671	12.0	4.0	5.3		5.3		
14	672	12.0	4.0	5.3		5.3		
14	673	12.0	4.0	5.3		5.3		
14	674	12.0	4.0	5.3		5.3		
14	675	6.0	6.0	4.0	4.0			
14	676	12.0	4.0	5.3		5.3		
14	677	12.0	4.0	5.3		5.3		
14	678	12.0	4.0	5.3		5.3		
14	679	12.0	4.0	5.3		5.3		
14	680	12.0	4.0	5.3		5.3		
14	681	12.0	4.0	5.3		5.3		
14	682	12.0	4.0	5.3		5.3		
14	683	12.0	4.0	5.3		5.3		
14	684	12.0	4.0	5.3		5.3		
14	685	12.0	4.0	5.3		5.3		
14	686	12.0	4.0	5.3		5.3		
14	687	12.0	4.0	5.3		5.3		
14	688	12.0	4.0	5.3		5.3		
14	689	12.0	4.0	5.3		5.3		
14	690	12.0	10.0	13.3		13.3		
14	691	12.0	10.0	13.3		13.3		
14	692	12.0	4.0	5.3		5.3		
14	693	12.0	4.0	5.3		5.3		
14	694	12.0	4.0	5.3		5.3		
14	695	12.0	4.0	5.3		5.3		
14	696	4.0	250.0	111.1				111.1
JACKSON CO SUBTOTAL 15					4.0	190.9	0.0	111.1
JACKSON COUNTY TOTAL					20.0	3867.7	876.0	1661.8

PAVEMENT PATCHING CONT.

MM	PATCH	W	L	AREA	CLASS C PATCHES TY I 16"	CLASS C PATCHES TY II 16"	CLASS C PATCHES TY III 16"	CLASS C PATCHES TY IV 16"
	#	FT	FT	SQ YD				
PERRY COUNTY								
15	697	12.0	4.0	5.3		5.3		
15	698	12.0	4.0	5.3		5.3		
15	699	12.0	4.0	5.3		5.3		
15	700	12.0	4.0	5.3		5.3		
15	701	12.0	4.0	5.3		5.3		
15	702	12.0	4.0	5.3		5.3		
15	703	12.0	4.0	5.3		5.3		
15	704	12.0	4.0	5.3		5.3		
15	705	12.0	4.0	5.3		5.3		
15	706	12.0	4.0	5.3		5.3		
15	707	12.0	15.0	20.0			20.0	
15	708	12.0	15.0	20.0			20.0	
15	709	12.0	8.0	10.7		10.7		
15	710	12.0	8.0	10.7		10.7		
15	711	12.0	8.0	10.7		10.7		
15	712	12.0	8.0	10.7		10.7		
15	713	12.0	4.0	5.3		5.3		
15	714	12.0	4.0	5.3		5.3		
15	715	12.0	4.0	5.3		5.3		
15	716	12.0	4.0	5.3		5.3		
15	717	12.0	4.0	5.3		5.3		
15	718	12.0	4.0	5.3		5.3		
15	719	12.0	10.0	13.3		13.3		
15	720	12.0	10.0	13.3		13.3		
15	721	12.0	10.0	13.3		13.3		
15	722	12.0	10.0	13.3		13.3		
15	723	12.0	8.0	10.7		10.7		
15	724	12.0	8.0	10.7		10.7		
15	725	12.0	8.0	10.7		10.7		
15	726	12.0	4.0	5.3		5.3		
15	727	12.0	4.0	5.3		5.3		
15	728	12.0	4.0	5.3		5.3		
15	729	12.0	4.0	5.3		5.3		
15	730	12.0	4.0	5.3		5.3		
15	731	12.0	4.0	5.3		5.3		
PERRY CO SUBTOTAL 1					0.0	244.7	40.0	0.0

MODEL: Default
 FILE NAME: p:\data\pavement\perry\DOT\Documents\DOT - Office\District 9\Projects\78838\CAD\Drawings\DOT\78838-Pbn_Sheets.dgn

USER NAME = handycr	DESIGNED -	REVISED -
PLOT SCALE = 100,0000' / in.	DRAWN -	REVISED -
PLOT DATE = 5/6/2021	CHECKED -	REVISED -
	DATE -	REVISED -

**STATE OF ILLINOIS
DEPARTMENT OF TRANSPORTATION**

**US 51
PAVEMENT PATCHING SCHEDULE**

SCALE: SHEET OF SHEETS STA. TO STA.

F.A.P. RTE.	SECTION	COUNTY	TOTAL SHEETS	SHEET NO.
322	4,3,2,1(RS-6)	JACKSON/PERRY	76	48
CONTRACT NO. 78838				
ILLINOIS FED. AID PROJECT				

PAVEMENT PATCHING CONT.

MM	PATCH #	W FT	L FT	AREA SQ YD	CLASS C PATCHES TY I 16"	CLASS C PATCHES TY II 16"	CLASS C PATCHES TY III 16"	CLASS C PATCHES TY IV 16"
PERRY COUNTY								
15.1	732.0	4.0	50.0				22.2	
15.1	733.0	12.0	8.0			10.7		
15.1	734.0	12.0	6.0			8.0		
15.1	735.0	12.0	8.0			10.7		
15.1	736.0	12.0	4.0			5.3		
15.1	737.0	12.0	4.0			5.3		
15.1	738.0	12.0	4.0			5.3		
15.1	739.0	12.0	4.0			5.3		
15.2	740.0	12.0	15.0				20.0	
15.2	741.0	12.0	8.0			10.7		
15.5	742.0	6.0	120.0					80.0
16.1	743.0	4.0	80.0					35.6
16.1	744.0	4.0	80.0					35.6
16.1	745.0	4.0	80.0					35.6
PERRY CO SUBTOTAL 2					0.0	61.3	42.2	186.8
PERRY CO SUBTOTAL 1					0.0	244.7	40.0	0.0
PERRY COUNTY TOTAL					0	306	83	187
JACKSON COUNTY SUBTOTALS								
JACKSON CO SUBTOTAL 15					4.0	190.9	0.0	111.1
JACKSON CO SUBTOTAL 14					4.0	297.5	0.0	53.4
JACKSON CO SUBTOTAL 13					4.0	271.1	0.0	0.0
JACKSON CO SUBTOTAL 12					4.0	265.7	0.0	0.0
JACKSON CO SUBTOTAL 11					4.0	265.7	72.0	0.0
JACKSON CO SUBTOTAL 10					0.0	254.6	0.0	0.0
JACKSON CO SUBTOTAL 9					0.0	249.2	0.0	0.0
JACKSON CO SUBTOTAL 8					0.0	292.4	0.0	0.0
JACKSON CO SUBTOTAL 7					0.0	255.7	120.0	106.8
JACKSON CO SUBTOTAL 6					0.0	180.8	200.0	160.0
JACKSON CO SUBTOTAL 5					0.0	207.3	208.0	26.7
JACKSON CO SUBTOTAL 4					0.0	308.7	68.0	111.1
JACKSON CO SUBTOTAL 3					0.0	327.7	32.0	222.2
JACKSON CO SUBTOTAL 2					0.0	183.8	128.0	870.5
JACKSON CO SUBTOTAL 1					0.0	316.6	48.0	0.0
JACKSON COUNTY TOTAL					20	3,868	876	1,662
US 51 PAVEMENT PATCHING TOTAL					20	4,174	959	1,849

MODEL: Default
 FILE NAME: p:\pub\harronm.dwt\illinois.gov\PWIDOT\Documents\DOT_Offices\District_9\Projects\78838\CAOData\CAD\patches\0778838.dgn_Sheets.dgn

USER NAME = handycr PLOT SCALE = 100,0000' / in. PLOT DATE = 5/6/2021	DESIGNED - DRAWN - CHECKED - DATE -	REVISED - REVISED - REVISED - REVISED -	STATE OF ILLINOIS DEPARTMENT OF TRANSPORTATION	US 51 PAVEMENT PATCHING SCHEDULE	F.A.P. RTE. 322	SECTION 4,3,2,1(RS-6)	COUNTY JACKSON/PERRY	TOTAL SHEETS 76	SHEET NO. 49
				SCALE:	SHEET OF SHEETS		STA.	TO STA.	
				ILLINOIS		FED. AID PROJECT			

NOT TO SCALE

THERMOPLASTIC PAVEMENT MARKING
LINE 6" DOUBLE YELLOW

RAISED REFLECTIVE PVMT MARKERS
TWO-WAY AMBER @ 20 FT CENTERS

THERMOPLASTIC PAVEMENT MARKING
12" YELLOW DIAGONALS
@20 FT CENTERS

THERMOPLASTIC PAVEMENT MARKING
6" WHITE
EDGE LINE

25+00

26+00

27+00

28+00

THERMOPLASTIC PAVEMENT MARKING
LINE 6" DOUBLE YELLOW

RAISED REFLECTIVE PVMT MARKERS
ONE-WAY AMBER @ 40 FT CENTERS

THERMOPLASTIC PAVEMENT MARKING
6" WHITE
EDGE LINE

THERMOPLASTIC PAVEMENT MARKING
LINE 6" DOUBLE YELLOW



NOT TO SCALE

THERMOPLASTIC PAVEMENT MARKING
LINE 6" DOUBLE YELLOW

RAISED REFLECTIVE PVMT MARKERS
ONE-WAY AMBER @ 40 FT CENTERS

THERMOPLASTIC PAVEMENT MARKING
6" WHITE
EDGE LINE

29+00

30+00

31+00

CENTERLINE
US 51

32+00

THERMOPLASTIC PAVEMENT MARKING
12" YELLOW DIAGONALS
@20 FT CENTERS

THERMOPLASTIC PAVEMENT MARKING
LINE 6" DOUBLE YELLOW

THERMOPLASTIC PVMT MARKING
MARKING 6" WHITE
EDGE LINE

STA. 31+11



MODEL: Default
 FILE NAME: p:\pub\harronm.dwt\illinois.gov\PI\DOT\Documents\IDOT_Offices\Director_9\Projects\78838\CADD\Drawings\78838-Plan_Sheets.dgn

USER NAME = handycr	DESIGNED -	REVISED -
	DRAWN -	REVISED -
PLOT SCALE = 40,0000 * / in.	CHECKED -	REVISED -
PLOT DATE = 5/6/2021	DATE -	REVISED -

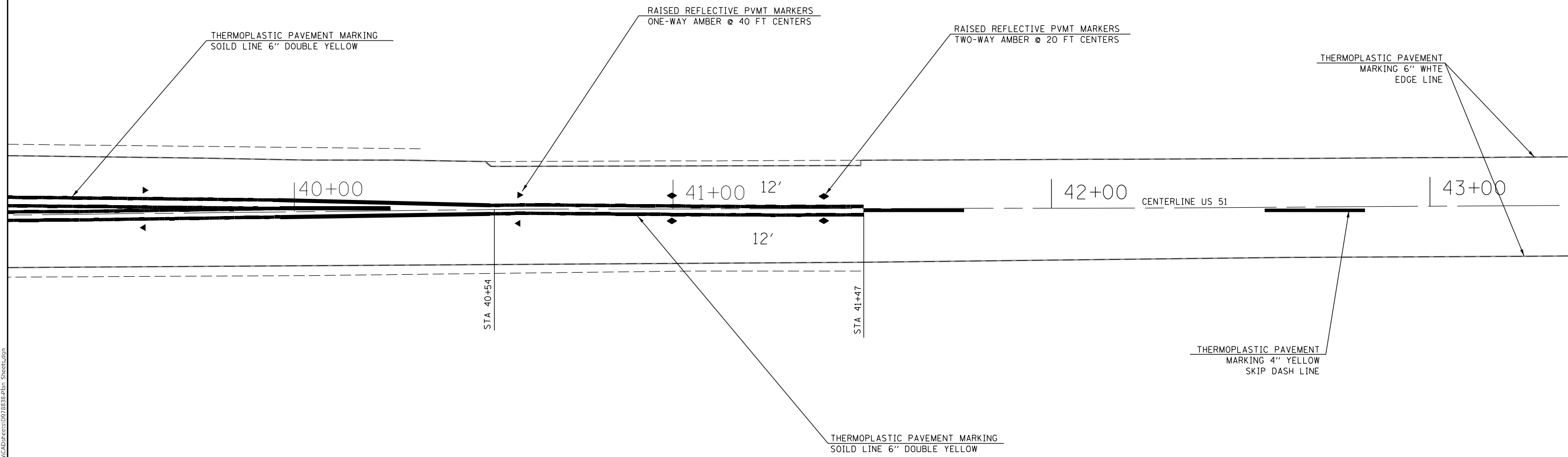
**STATE OF ILLINOIS
DEPARTMENT OF TRANSPORTATION**

**US 51 & INDUSTRIAL PARK RD
PAVEMENT MARKINGS**

SCALE: SHEET OF SHEETS STA. 25+00 TO STA. 32+00

F.A.P. RTE.	SECTION	COUNTY	TOTAL SHEETS	SHEET NO.
322	4,3,2,1(RS-6)	JACKSON/PERRY	76	50
CONTRACT NO. 78838				
ILLINOIS FED. AID PROJECT				

NOT TO SCALE



THERMOPLASTIC PAVEMENT MARKING 4" YELLOW SKIP DASH LINE



MODEL: Default
 FILE NAME: p:\pub\amr\room.dwg
 ILLINOIS DOT
 PROJECT: 78838
 CAD: 78838
 SHEETS: 52

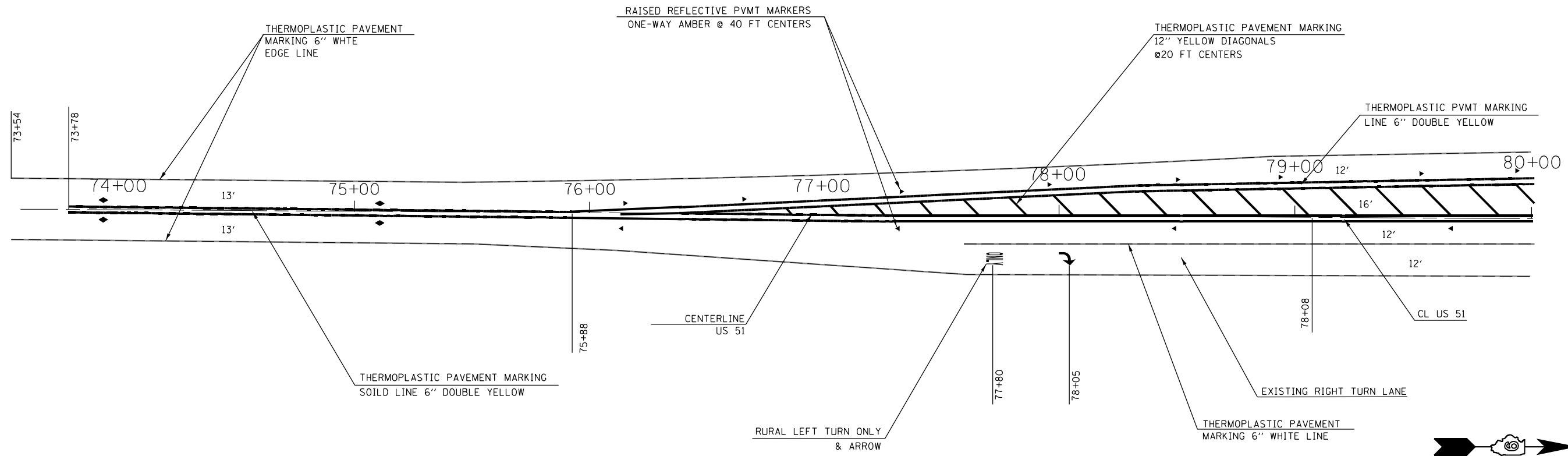
USER NAME = handyc	DESIGNED -	REVISED -
PLOT SCALE = 40,0000 * / in.	DRAWN -	REVISED -
PLOT DATE = 5/6/2021	CHECKED -	REVISED -
	DATE -	REVISED -

STATE OF ILLINOIS
DEPARTMENT OF TRANSPORTATION

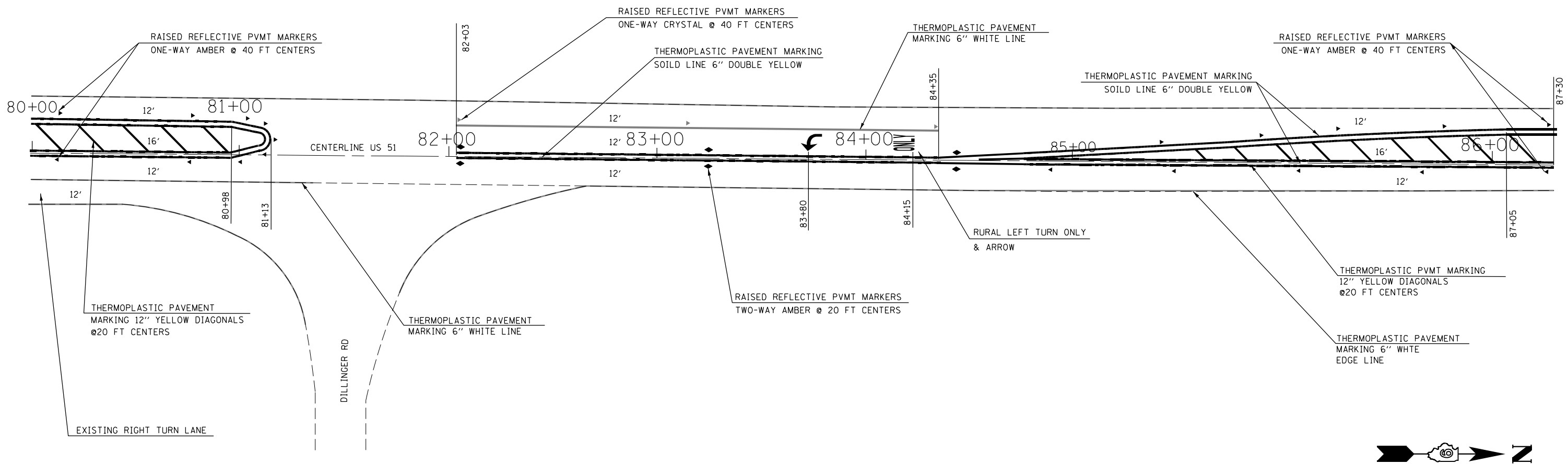
US 51 & INDUSTRIAL PARK RD
PAVEMENT MARKINGS

SCALE: SHEET OF SHEETS STA. 39+00 TO STA. 43+00

F.A.P. RTE. 322	SECTION 4,3,2,1(RS-6)	COUNTY JACKSON/PERRY	TOTAL SHEETS 76	SHEET NO. 52
CONTRACT NO. 78838				
ILLINOIS FED. AID PROJECT				



NOT TO SCALE



NOT TO SCALE

MODEL: Default
 FILE NAME: p:\pub\harronm.dwg
 PROJECT: 78838 CAD Data
 OFFICE: District 9
 SHEET: 53

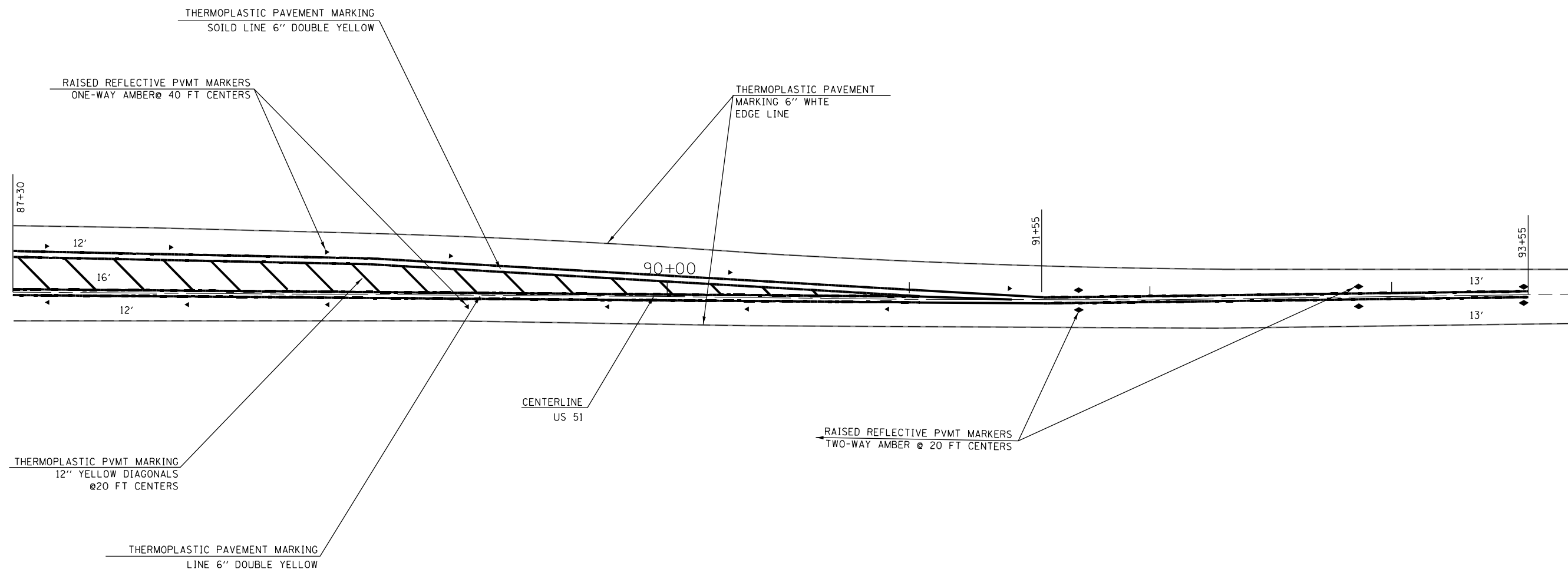
USER NAME = handyrc	DESIGNED -	REVISED -
	DRAWN -	REVISED -
PLOT SCALE = 40,0000 * / in.	CHECKED -	REVISED -
PLOT DATE = 5/6/2021	DATE -	REVISED -

**STATE OF ILLINOIS
DEPARTMENT OF TRANSPORTATION**

**US 51 & DILLINGER RD
PAVEMENT MARKINGS**

SCALE: SHEET OF SHEETS STA. 73+54 TO STA. 87+30

F.A.P. RTE.	SECTION	COUNTY	TOTAL SHEETS	SHEET NO.
322	4,3,2,1(RS-6)	JACKSON/PERRY	76	53
CONTRACT NO. 78838				
ILLINOIS FED. AID PROJECT				



NOT TO SCALE



MODEL: Default
 FILE NAME: p:\projects\78838\CADD\Drawings\DOT_Offices\Drawings\9\Projects\78838\CADD\Drawings\DOT_78838_Plan_Sheets.dgn

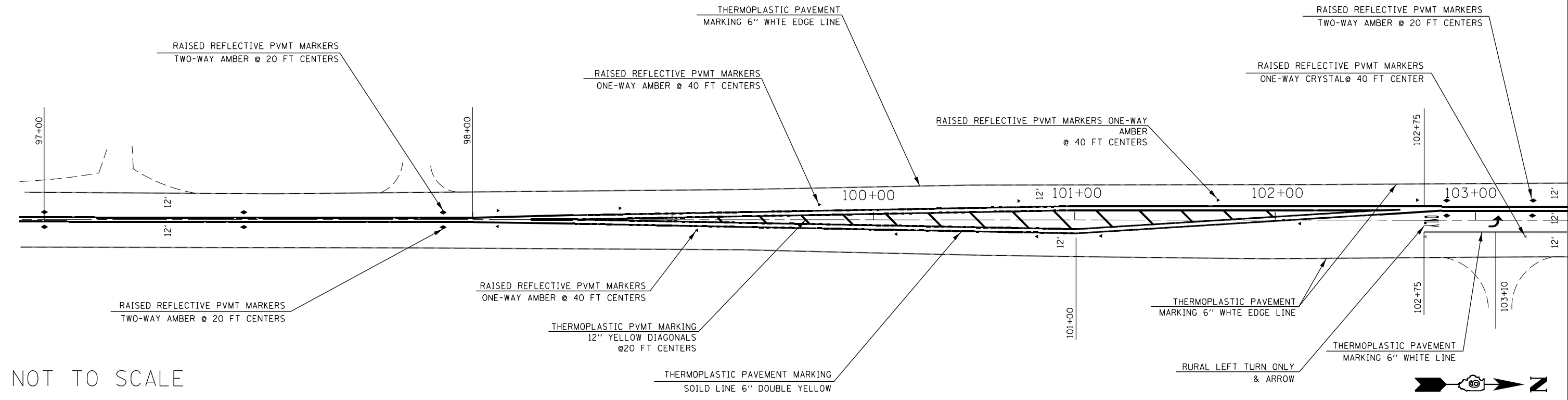
USER NAME = handycr	DESIGNED -	REVISED -
	DRAWN -	REVISED -
PLOT SCALE = 40,0000 * / in.	CHECKED -	REVISED -
PLOT DATE = 5/6/2021	DATE -	REVISED -

STATE OF ILLINOIS
DEPARTMENT OF TRANSPORTATION

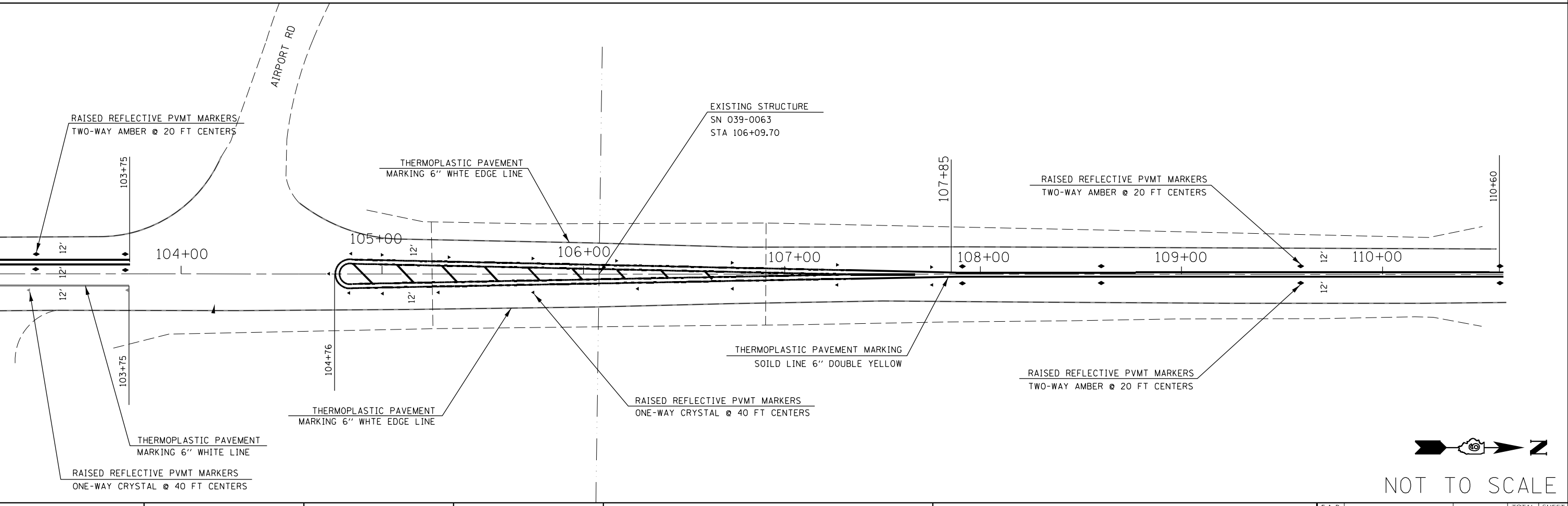
US 51 & DILLINGER RD
PAVEMENT MARKINGS

SCALE: SHEET OF SHEETS STA. 87+30 TO STA. 93+85

F.A.P. RTE.	SECTION	COUNTY	TOTAL SHEETS	SHEET NO.
322	4,3,2,1(RS-6)	JACKSON/PERRY	76	54
CONTRACT NO. 78838				
ILLINOIS FED. AID PROJECT				



NOT TO SCALE



NOT TO SCALE

MODEL: Default
 FILE NAME: p:\data\marron.dwg
 PROJECT: 78838
 OFFICE: DISTRICT 9
 DATE: 5/6/2021

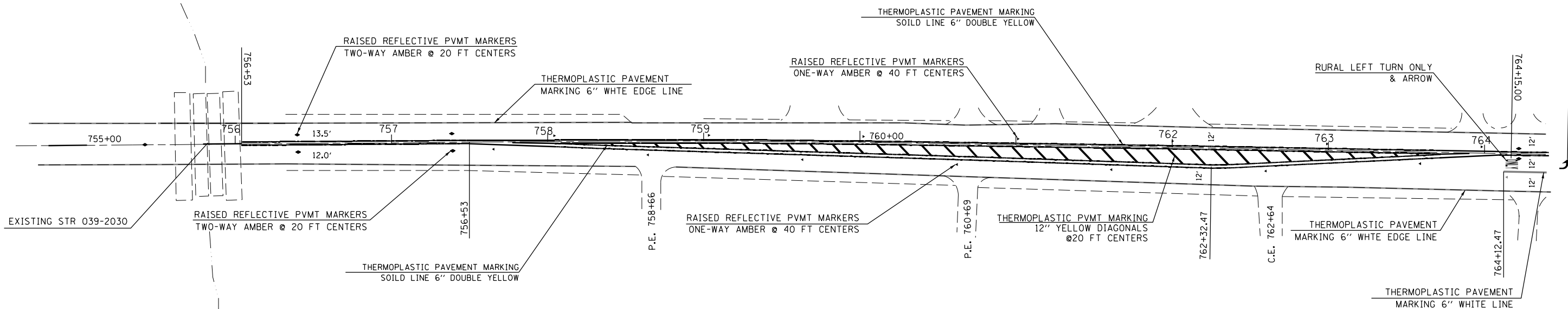
USER NAME = handyr	DESIGNED -	REVISED -
	DRAWN -	REVISED -
PLOT SCALE = 60,0000 * / in.	CHECKED -	REVISED -
PLOT DATE = 5/6/2021	DATE -	REVISED -

**STATE OF ILLINOIS
DEPARTMENT OF TRANSPORTATION**

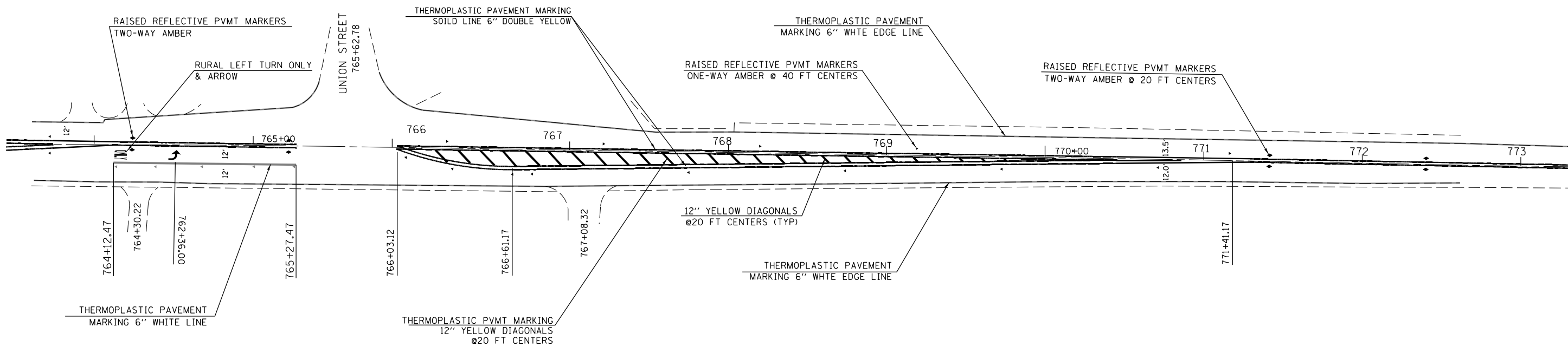
**US 51 & AIRPORT RD
PAVEMENT MARKINGS**

SCALE: SHEET OF SHEETS STA. 97+00 TO STA. 110+60

F.A.P. RTE.	SECTION	COUNTY	TOTAL SHEETS	SHEET NO.
322	4,3,2,1(RS-6)	JACKSON/PERRY	55	
CONTRACT NO. 78838				
ILLINOIS FED. AID PROJECT				



NOT TO SCALE



NOT TO SCALE

MODEL: Default
 FILE NAME: p:\m\baronon.dwg
 PROJECT: 78838-CAD\DATA\CAD\Drawings\0778838-Plan_Sheets.dwg

USER NAME = handyrc	DESIGNED -	REVISED -
PLOT SCALE = 100,0000' / in.	DRAWN -	REVISED -
PLOT DATE = 5/6/2021	CHECKED -	REVISED -
	DATE -	REVISED -

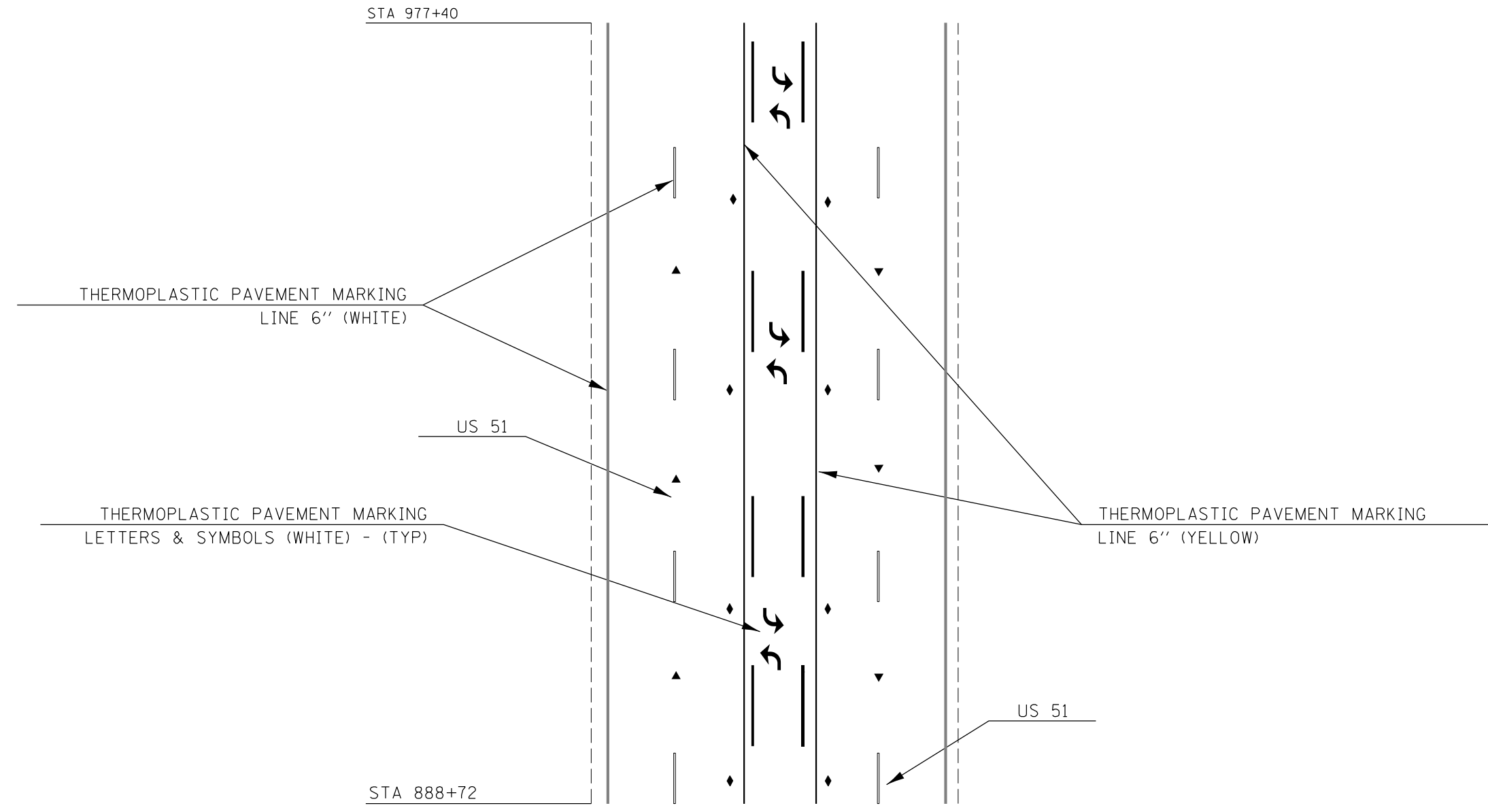
**STATE OF ILLINOIS
DEPARTMENT OF TRANSPORTATION**

**US 51 & UNION RD (VILLAGE OF DOWELL)
PAVEMENT MARKINGS**

SCALE: SHEET OF SHEETS STA. 755+00 TO STA. 773+00

F.A.P. RTE.	SECTION	COUNTY	TOTAL SHEETS	SHEET NO.
322	4,3,2,1(RS-6)	JACKSON/PERRY	76	56
CONTRACT NO. 78838				
ILLINOIS FED. AID PROJECT				

NOT TO SCALE



NOTE:
ARROWS SHOULD BE
PLACED IN MEDIAN @ 300 FT CENTERS



MODEL: Default
 FILE NAME: p:\pub\harronm.dwt\illinois.gov\PWIDOT\Documents\DOT_Offices\District 9\Projects\78838\CAD\Drawings\9778838\Plan_Sheets.dgn

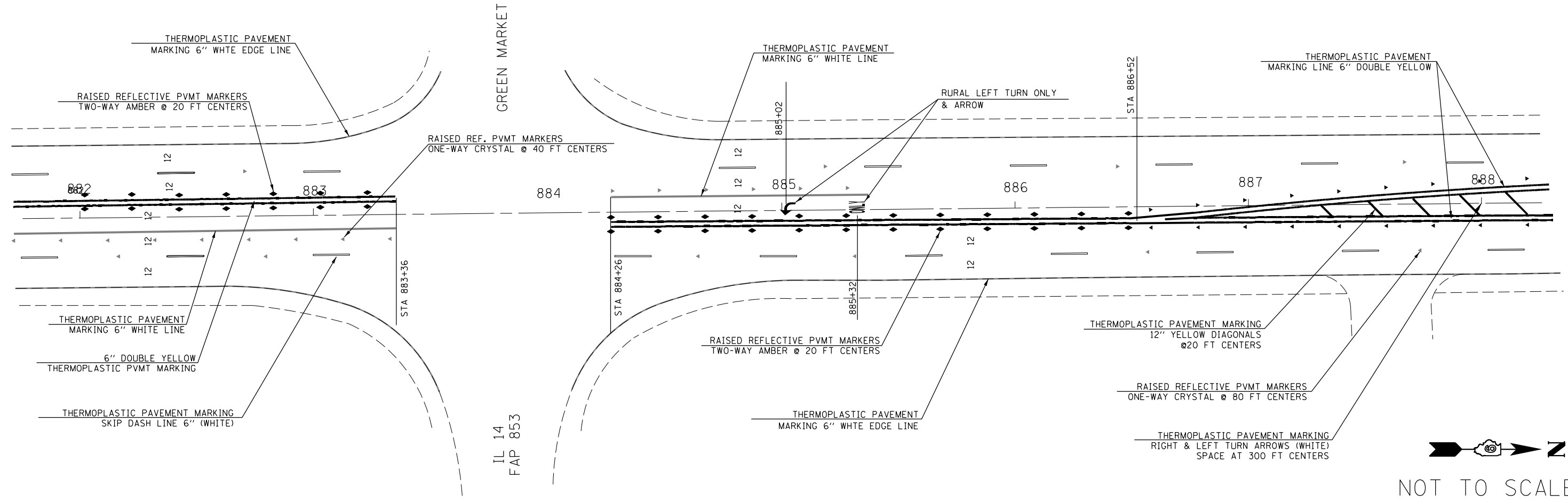
USER NAME = handycr	DESIGNED -	REVISED -
	DRAWN -	REVISED -
PLOT SCALE = 40,0000 * / in.	CHECKED -	REVISED -
PLOT DATE = 5/6/2021	DATE -	REVISED -

STATE OF ILLINOIS
DEPARTMENT OF TRANSPORTATION

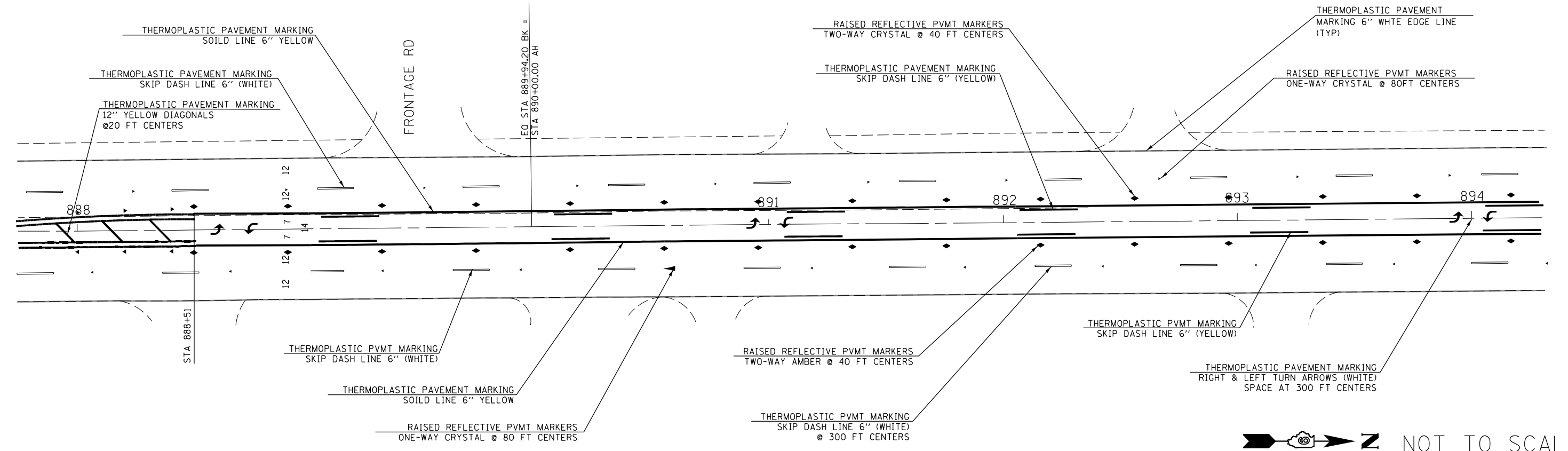
US-51 TYPICAL MARKINGS PERRY COUNTY
PAVEMENT MARKING

SCALE: SHEET OF SHEETS STA. 888+72 TO STA. 977+40

F.A.P. RTE.	SECTION	COUNTY	TOTAL SHEETS	SHEET NO.
322	4,3,2,1(RS-6)	JACKSON/PERRY	76	57
CONTRACT NO. 78838				
ILLINOIS FED. AID PROJECT				



NOT TO SCALE



NOT TO SCALE

MODEL: Default
 FILE NAME: p:\pub\amr\amr\dot\Documents\DOT - Office\Drawings\9\Projects\78838\CADD\Drawings\9\78838\Fin_Sheets.dgn

USER NAME = handycr	DESIGNED -	REVISED -
DRAWN -	REVISED -	
PLOT SCALE = 60,0000 */ in.	CHECKED -	REVISED -
PLOT DATE = 5/6/2021	DATE -	REVISED -

**STATE OF ILLINOIS
DEPARTMENT OF TRANSPORTATION**

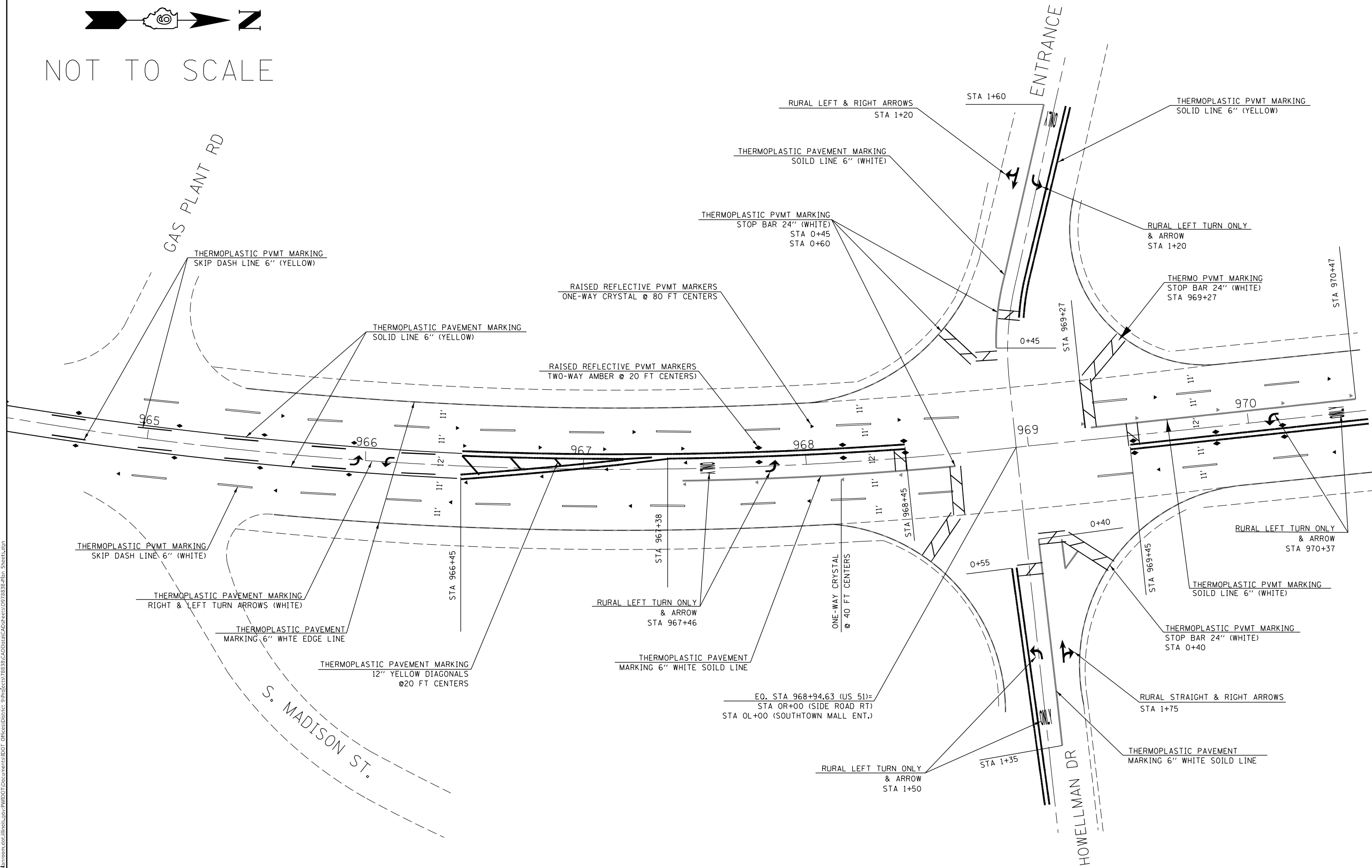
**US 51 & IL 14 INTERSECTION
PAVEMENT MARKINGS**

SCALE: SHEET OF SHEETS STA. 882+00 TO STA. 894+00

F.A.P. RTE.	SECTION	COUNTY	TOTAL SHEETS	SHEET NO.
322	4,3,2,1(RS-6)	JACKSON/PERRY	76	59
CONTRACT NO. 78838				
ILLINOIS FED. AID PROJECT				



NOT TO SCALE



MODEL: Default
 FILE NAME: p:\pub\harronm.dwg
 PROJECT: 78838
 CAD: DataCAD
 PROJECT: 78838
 CAD: DataCAD
 PROJECT: 78838
 SHEETS: 60

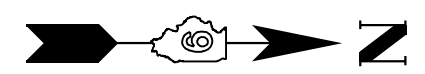
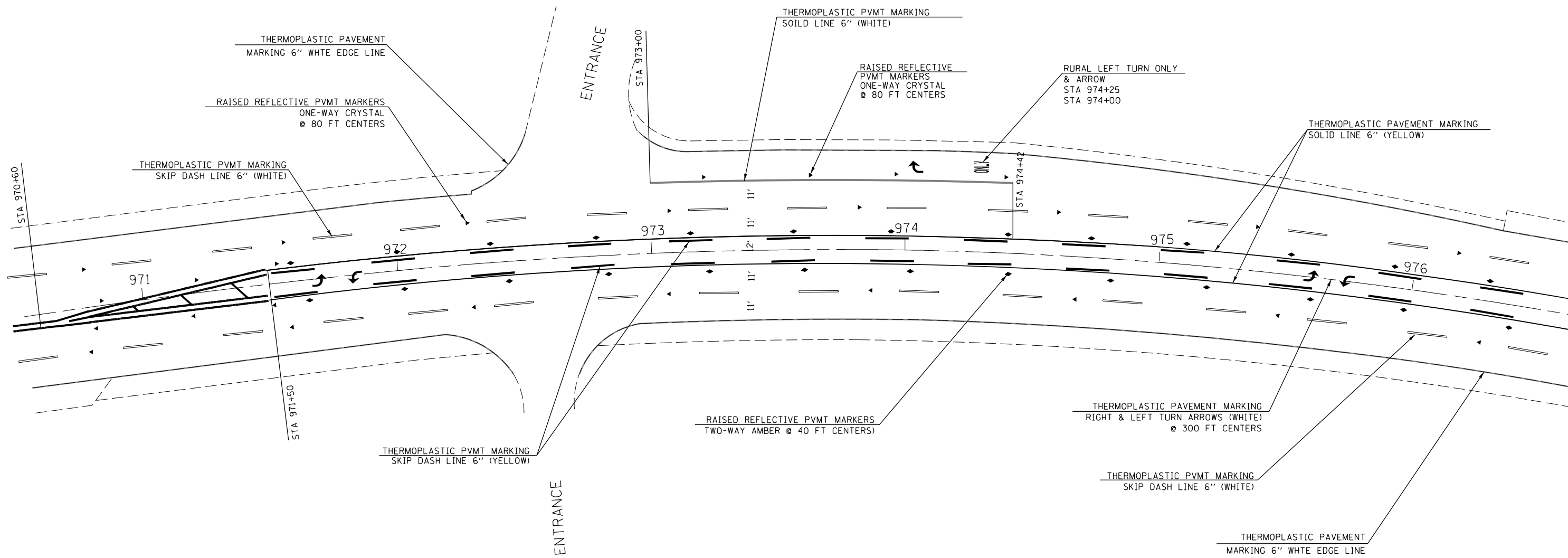
USER NAME = handycr	DESIGNED -	REVISED -
	DRAWN -	REVISED -
PLOT SCALE = 40,0000 * / in.	CHECKED -	REVISED -
PLOT DATE = 5/6/2021	DATE -	REVISED -

**STATE OF ILLINOIS
DEPARTMENT OF TRANSPORTATION**

US 51 & HOWELLMAN DRIVE PAVEMENT MARKINGS	
SCALE:	SHEET OF SHEETS STA. 964+50 TO STA. 970+50

F.A.P. RTE.	SECTION	COUNTY	TOTAL SHEETS	SHEET NO.
322	4,3,2,1(RS-6)	JACKSON/PERRY	76	60
CONTRACT NO. 78838				
ILLINOIS FED. AID PROJECT				

MODEL: Default
 FILE NAME: p:\pub\harronm.dwg
 PROJECT: 78838-CA00DataCAD\Projects\0778838-Plan_Sheets.dwg



NOT TO SCALE

USER NAME = handycr	DESIGNED -	REVISED -
	DRAWN -	REVISED -
PLOT SCALE = 40,0000 * / in.	CHECKED -	REVISED -
PLOT DATE = 5/6/2021	DATE -	REVISED -

**STATE OF ILLINOIS
 DEPARTMENT OF TRANSPORTATION**

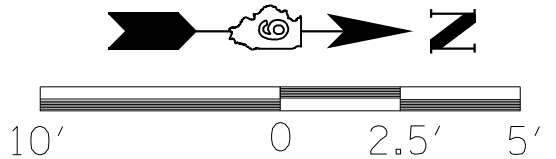
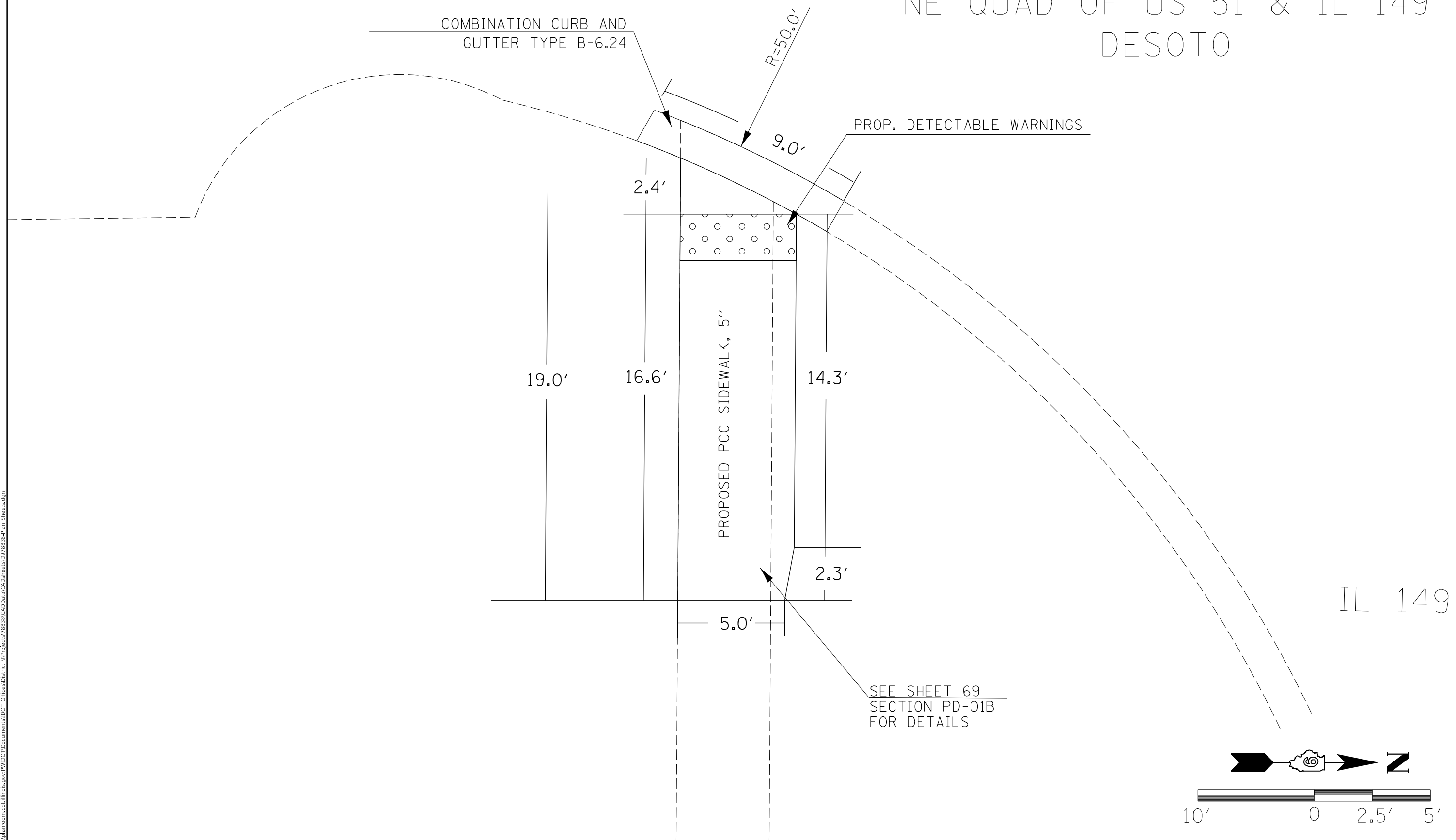
**US 51 & HOWELMAN DRIVE
 PAVEMENT MARKINGS**

SCALE: SHEET OF SHEETS STA. 970+50 TO STA. 976+50

F.A.P. RTE.	SECTION	COUNTY	TOTAL SHEETS	SHEET NO.
322	4,3,2,1(RS-6)	JACKSON/PERRY	76	61
CONTRACT NO. 78838				
ILLINOIS FED. AID PROJECT				

US-51

NEAR STATION 292+00
NE QUAD OF US 51 & IL 149
DESOTO



MODEL: Default
 FILE NAME: p:\u003dhammon.dwg
 ILLINOIS DOT
 PROJECT: 78838
 CAD: 78838-Plan_Sheets.dwg

USER NAME = handyrc	DESIGNED -	REVISED -
	DRAWN -	REVISED -
PLOT SCALE = 4,0000' / in.	CHECKED -	REVISED -
PLOT DATE = 5/6/2021	DATE -	REVISED -

STATE OF ILLINOIS
DEPARTMENT OF TRANSPORTATION

SIDEWALK PLAN SHEET
US 51 & IL 149 (DESOTO); NE QUAD

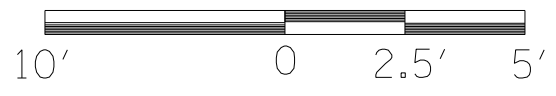
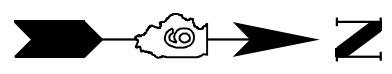
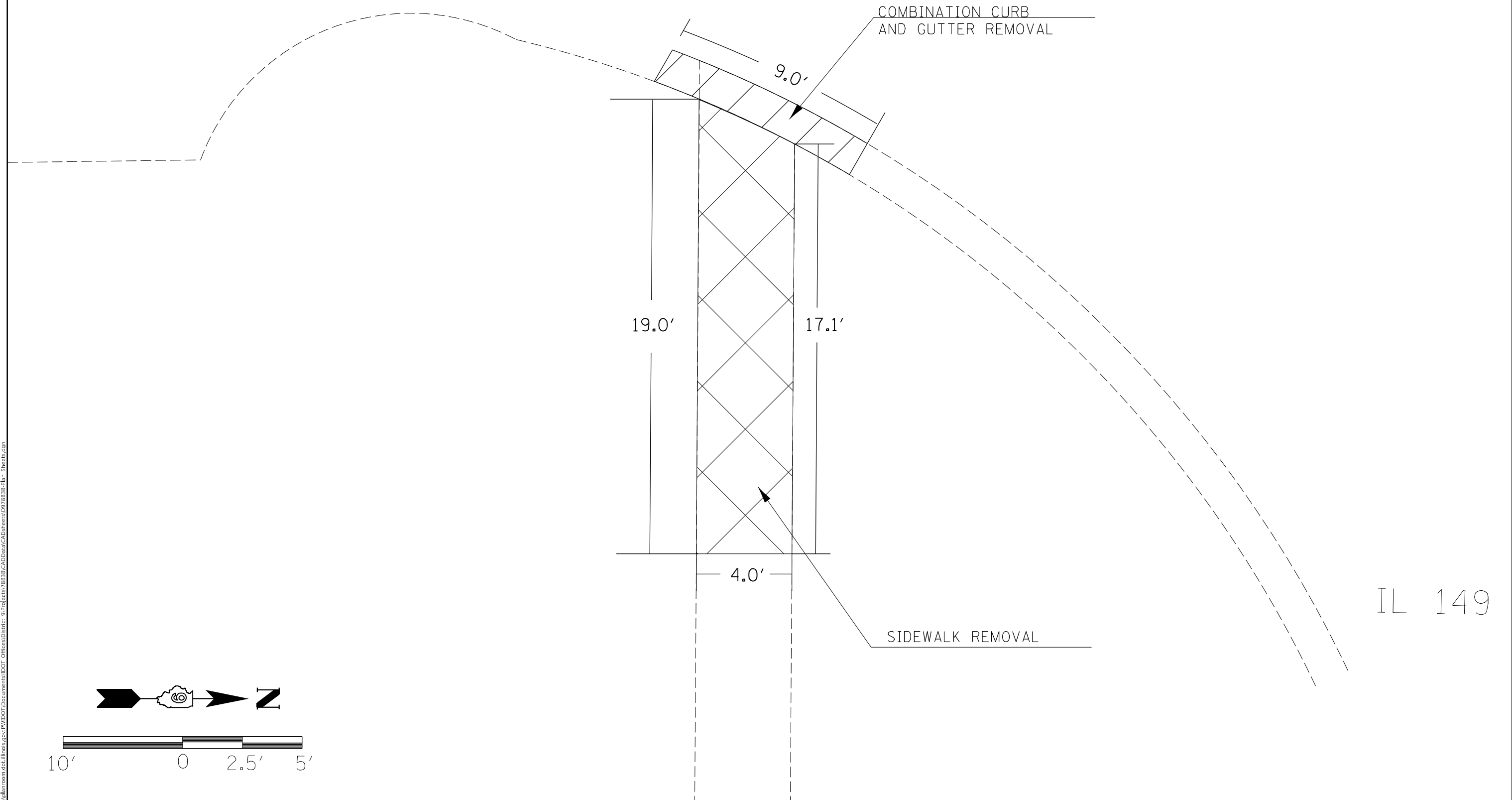
SCALE: SHEET OF SHEETS STA. TO STA.

F.A.P. RTE.	SECTION	COUNTY	TOTAL SHEETS	SHEET NO.
322	4,3,2,1(RS-6)		76	63
CONTRACT NO. 78838				
ILLINOIS FED. AID PROJECT				

JACKSON/PERRY

US-51

NEAR STATION 292+00
NE QUAD OF US 51 & IL 149
DESOTO



MODEL: Default
 FILE NAME: p:\pub\amr\room.dwg
 ILLINOIS DOT
 PROJECT: 78838
 CAD: 78838-PLAN-Sheets.dwg

USER NAME = handycr	DESIGNED -	REVISED -
PLOT SCALE = 4,0000' / in.	DRAWN -	REVISED -
PLOT DATE = 5/6/2021	CHECKED -	REVISED -
	DATE -	REVISED -

STATE OF ILLINOIS
DEPARTMENT OF TRANSPORTATION

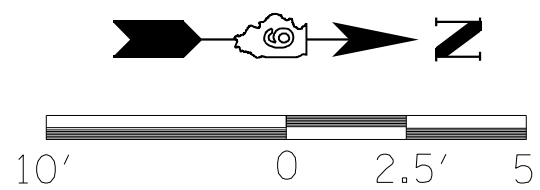
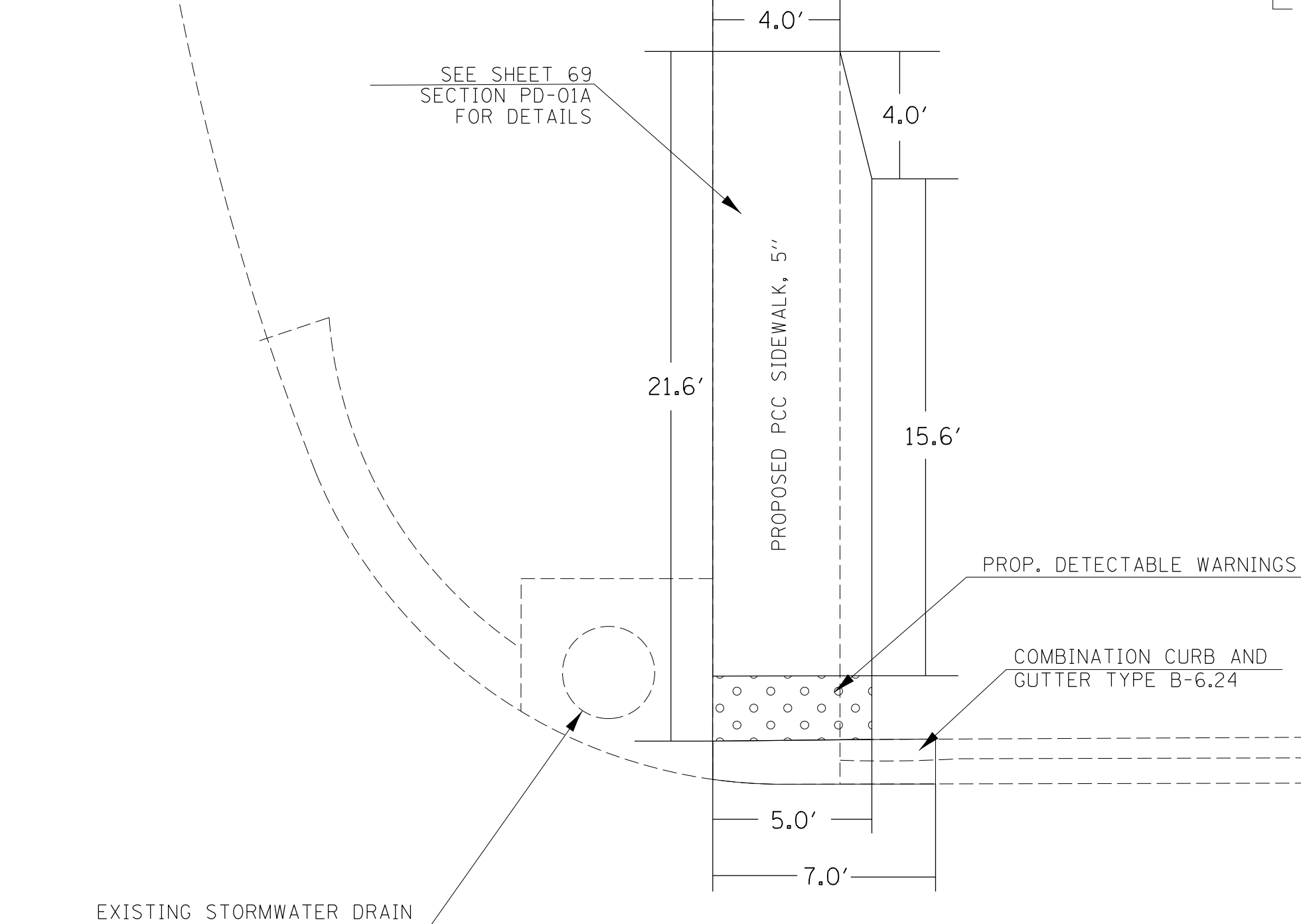
SIDEWALK REMOVAL SHEET
US 51 & IL 149 (DESOTO); NE QUAD

SCALE: SHEET OF SHEETS STA. TO STA.

F.A.P. RTE.	SECTION	COUNTY	TOTAL SHEETS	SHEET NO.
322	4,3,2,1(RS-6)		76	64
ILLINOIS FED. AID PROJECT			CONTRACT NO. 78838	

BOARD ST

NEAR STATION 650+30
NW QUAD OF US 51 & BOARD ST
ELKVILLE



MODEL: Default
 FILE NAME: p:\pub\harronm.dwg
 PROJECT: 78838-CA00DataCAD\Projects\0778838-Plan_Sheets.dwg

USER NAME = handycr	DESIGNED -	REVISED -
	DRAWN -	REVISED -
PLOT SCALE = 4,0000' / in.	CHECKED -	REVISED -
PLOT DATE = 5/6/2021	DATE -	REVISED -

**STATE OF ILLINOIS
DEPARTMENT OF TRANSPORTATION**

**SIDEWALK PLAN SHEET
US 51 & BOARD ST (ELKVILLE) (NW QUAD)**

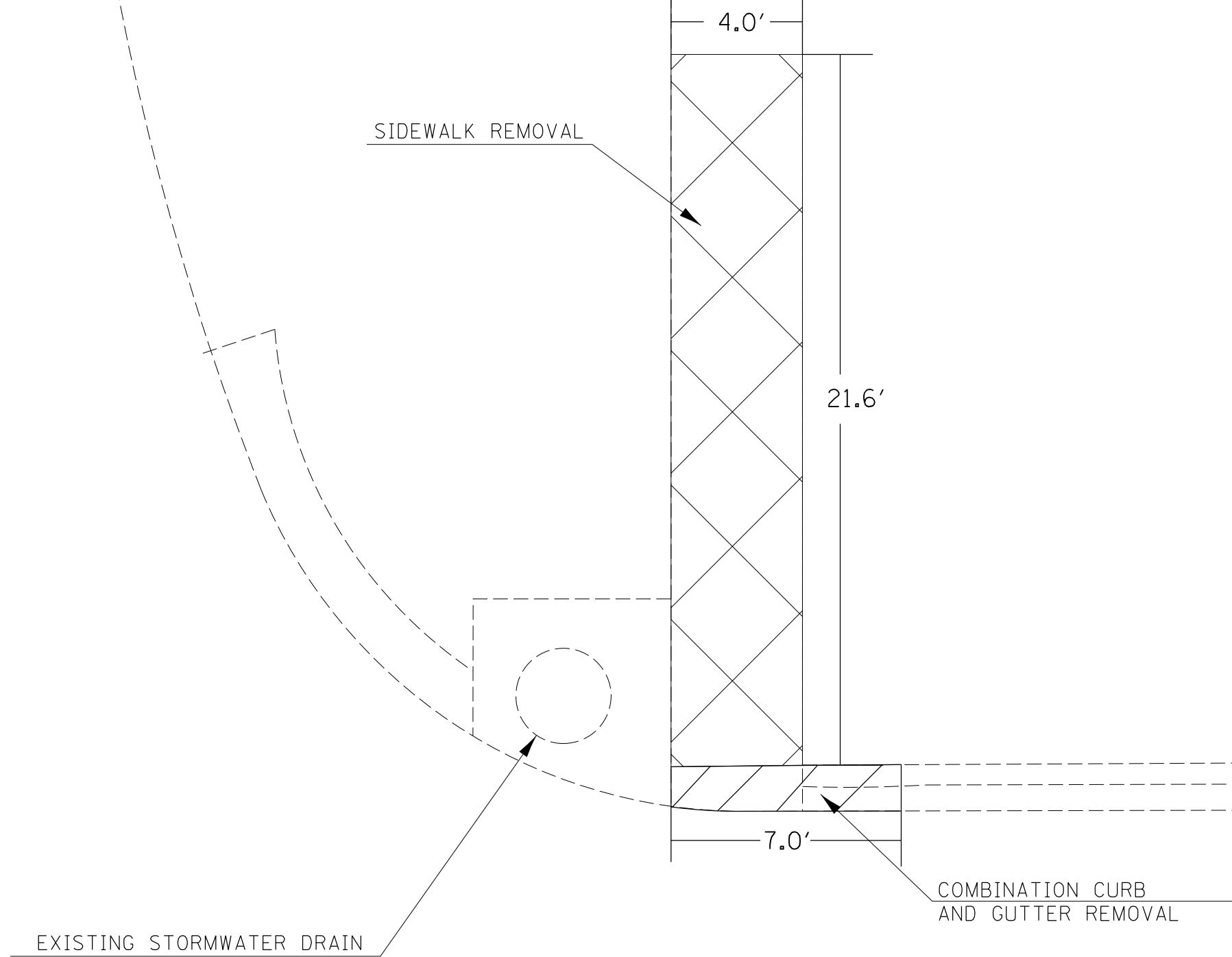
SCALE: SHEET OF SHEETS STA. TO STA.

F.A.P. RTE.	SECTION	COUNTY	TOTAL SHEETS	SHEET NO.
322	4,3,2,1(RS-6)	-	76	65
CONTRACT NO. 78838			ILLINOIS FED. AID PROJECT	

JACKSON/PERRY

BOARD ST

NEAR STATION 650+30
 NW QUAD OF US 51 & BOARD ST
 ELKVILLE



MODEL: Default
 FILE NAME: p:\data\mason.dwg
 PROJECT: 78838\CAD\Drawings\78838-CAD\Drawings\78838-Plan_Sheets.dwg

USER NAME = handycr	DESIGNED -	REVISED -
	DRAWN -	REVISED -
PLOT SCALE = 4,0000' / in.	CHECKED -	REVISED -
PLOT DATE = 5/6/2021	DATE -	REVISED -

**STATE OF ILLINOIS
 DEPARTMENT OF TRANSPORTATION**

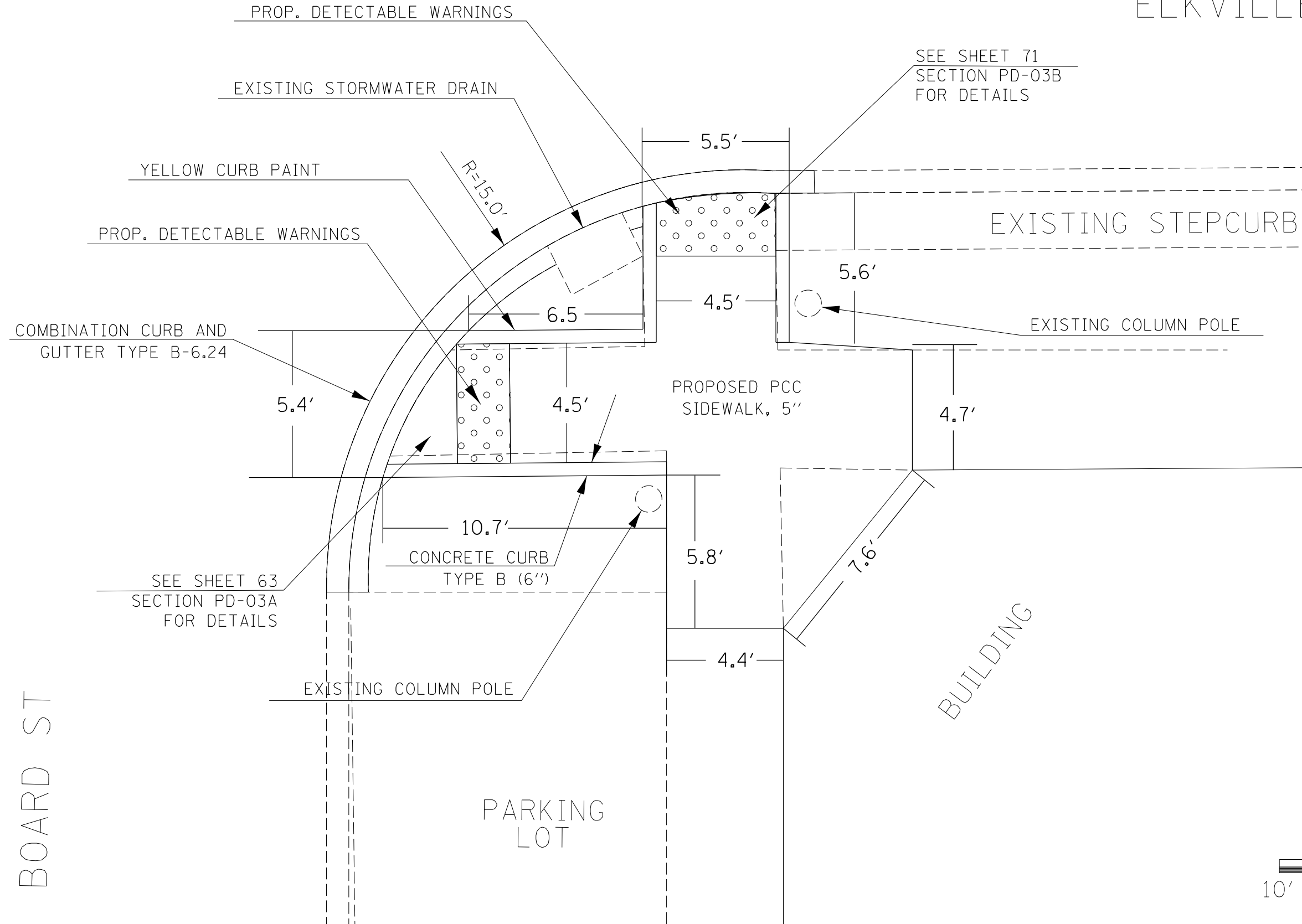
**SIDEWALK REMOVAL SHEET
 US 51 & BOARD ST (ELKVILLE) (NW QUAD)**

SCALE: SHEET OF SHEETS STA. TO STA.

F.A.P. RTE.	SECTION	COUNTY	TOTAL SHEETS	SHEET NO.
322	4,3,2,1(R5-6)	-	76	66
ILLINOIS FED. AID PROJECT			CONTRACT NO. 78838	

JACKSON/PERRY

NEAR STATION 650+30
NE QUAD OF US 51 & BOARD ST
ELKVILLE



SEE SHEET 71
SECTION PD-03B
FOR DETAILS

PROP. DETECTABLE WARNINGS

EXISTING STORMWATER DRAIN

YELLOW CURB PAINT

COMBINATION CURB AND
GUTTER TYPE B-6.24

SEE SHEET 63
SECTION PD-03A
FOR DETAILS

CONCRETE CURB
TYPE B (6")

EXISTING STEPCURB

EXISTING COLUMN POLE

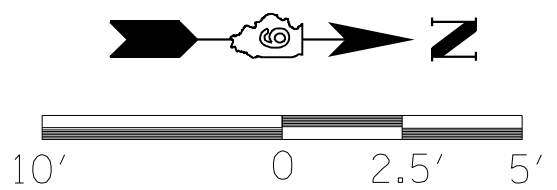
PROPOSED PCC
SIDEWALK, 5"

BUILDING

PARKING
LOT

EXISTING COLUMN POLE

BOARD ST



MODEL: Default
FILE NAME: p:\pub\amr\room\dat\illinois\gov\PIWDOT\Documents\IBDOT_Offices\District 9\Projects\78838\CADD\BoardCAD\Project\0778838.dwg - Sheets.dwg

USER NAME = handycr	DESIGNED -	REVISED -
PLOT SCALE = 4,0000' / in.	DRAWN -	REVISED -
PLOT DATE = 5/6/2021	CHECKED -	REVISED -
	DATE -	REVISED -

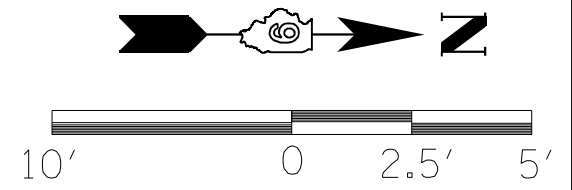
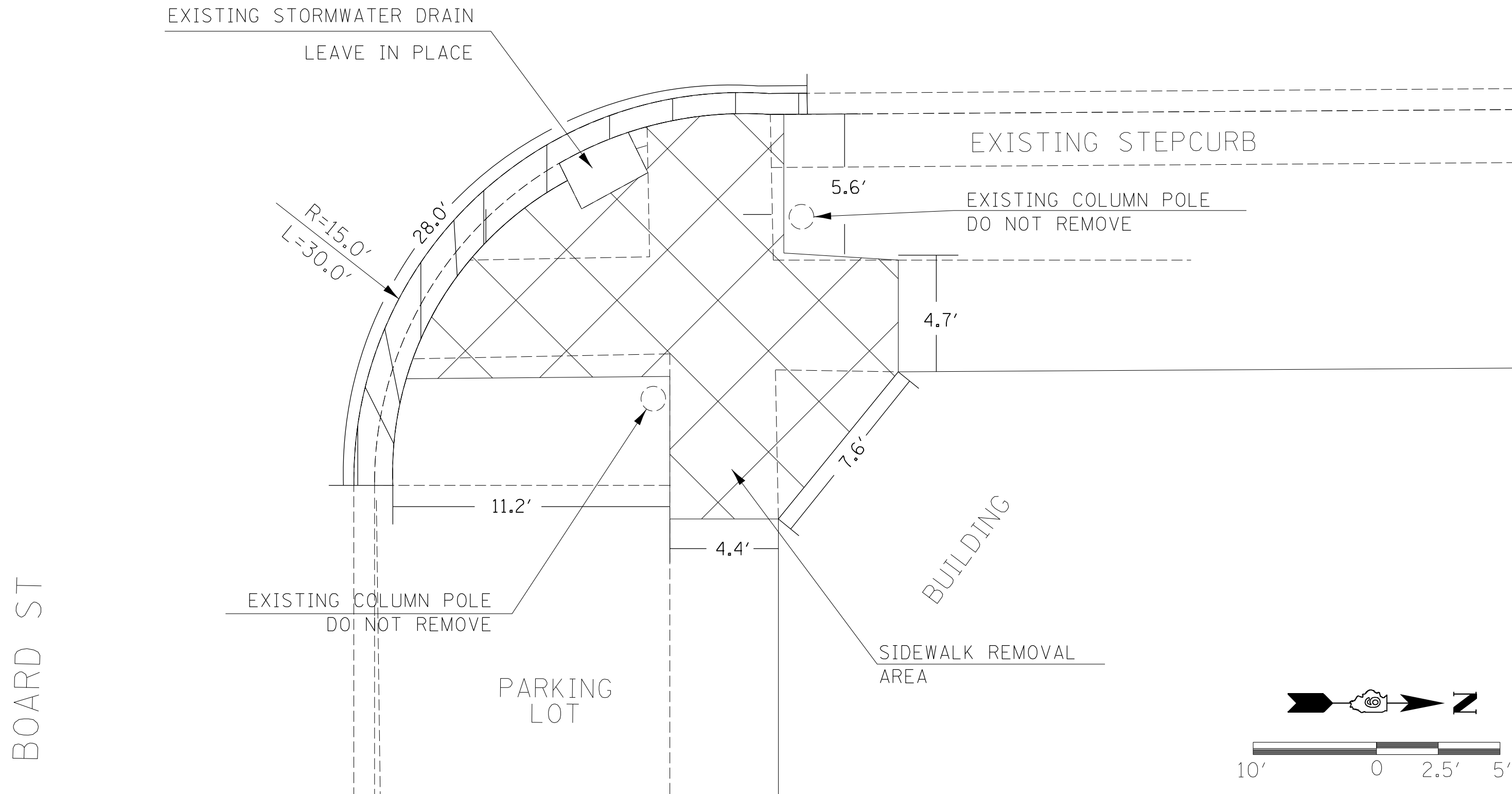
**STATE OF ILLINOIS
DEPARTMENT OF TRANSPORTATION**

SIDEWALK PLAN SHEET			
US 51 & BOARD ST (ELKVILLE) (NE QUAD)			
SCALE:	SHEET	OF SHEETS	STA. TO STA.

F.A.P. RTE.	SECTION	COUNTY	TOTAL SHEETS	SHEET NO.
322	4,3,2,1(RS-6)	-	76	67
CONTRACT NO. 78838				
ILLINOIS FED. AID PROJECT				

JACKSON/PERRY

NEAR STATION 650+30
NE QUAD OF US 51 & BOARD ST
ELKVILLE



MODEL: Default
 FILE NAME: p:\pub\amr\amr\dot\illinois.gov\p\w\dot\Documents\DOT_Offices\District 9\Projects\78838\CADD\BoardCAD\Project\0778838.dwg - Sheets.dwg

USER NAME = handycr	DESIGNED -	REVISED -
	DRAWN -	REVISED -
PLOT SCALE = 4,0000' / in.	CHECKED -	REVISED -
PLOT DATE = 5/6/2021	DATE -	REVISED -

**STATE OF ILLINOIS
DEPARTMENT OF TRANSPORTATION**

**SIDEWALK REMOVAL SHEET
US 51 & BOARD ST (ELKVILLE) (NE QUAD)**

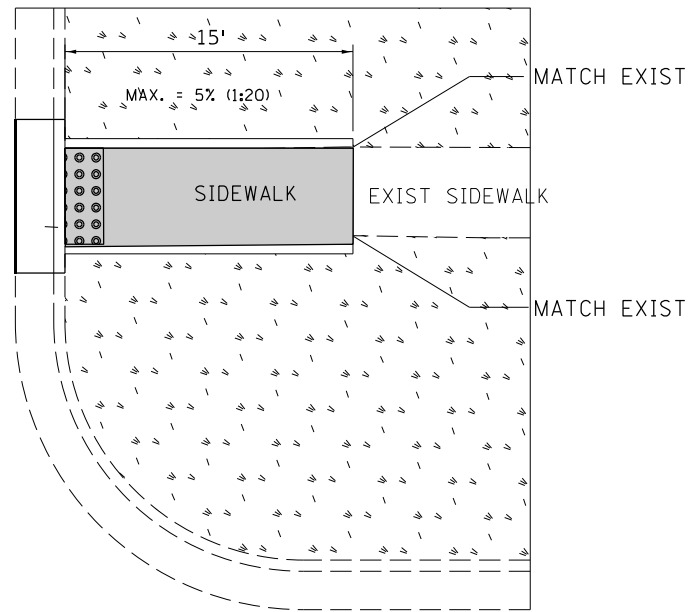
SCALE: SHEET OF SHEETS STA. TO STA.

F.A.P. RTE.	SECTION	COUNTY	TOTAL SHEETS	SHEET NO.
322	4,3,2,1(RS-6)	-	76	68
CONTRACT NO. 78838				
ILLINOIS FED. AID PROJECT				

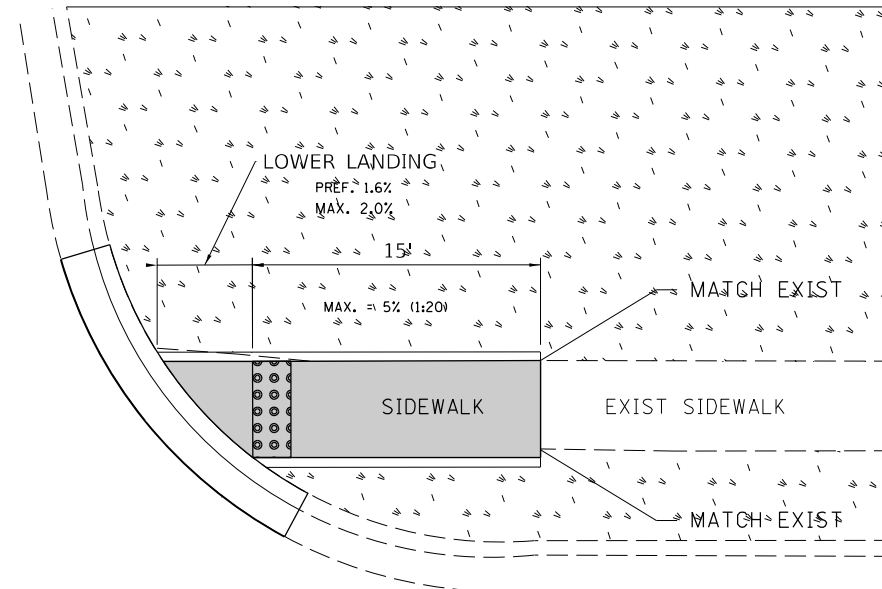
JACKSON/PERRY

ADA DETAIL FOR SINGLE PERPENDICULAR CURB RAMPS W/ EXIST. 5% OR LESS RUN. SLOPE

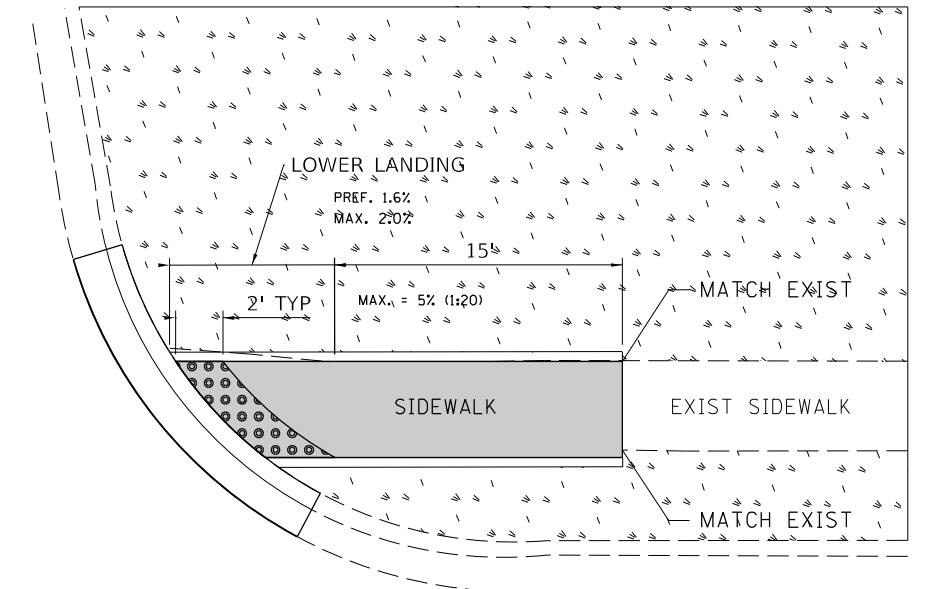
PD-01A



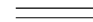
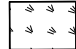


PD-01B



PD-01C



LEGEND

-  PROPOSED SIDE CURB
-  EXIST. GRASS
-  PROPOSED SIDEWALK
-  DETECTABLE WARNINGS

CONSTRUCTION NOTES:

- 1) ALL CROSS SLOPES ARE PREFERRED 1.6% (1:64), MAXIMUM 2% (1:50) EXCEPT WHEN TRANSITIONING TO EXISTING SIDEWALK

MODEL: Default
 FILE NAME: \\paulamr.com\data\illinois\pwr\PROJECTS\DOT_Offices\District 9\Projects\78838\CAD\Drawings\DOT_78838\Plan_Sheets.dgn

USER NAME = handycr	DESIGNED -	REVISED -
DRAWN -	CHECKED -	REVISED -
PLOT SCALE = 10,0000 * / in.	DATE -	REVISED -
PLOT DATE = 5/6/2021		

STATE OF ILLINOIS
DEPARTMENT OF TRANSPORTATION

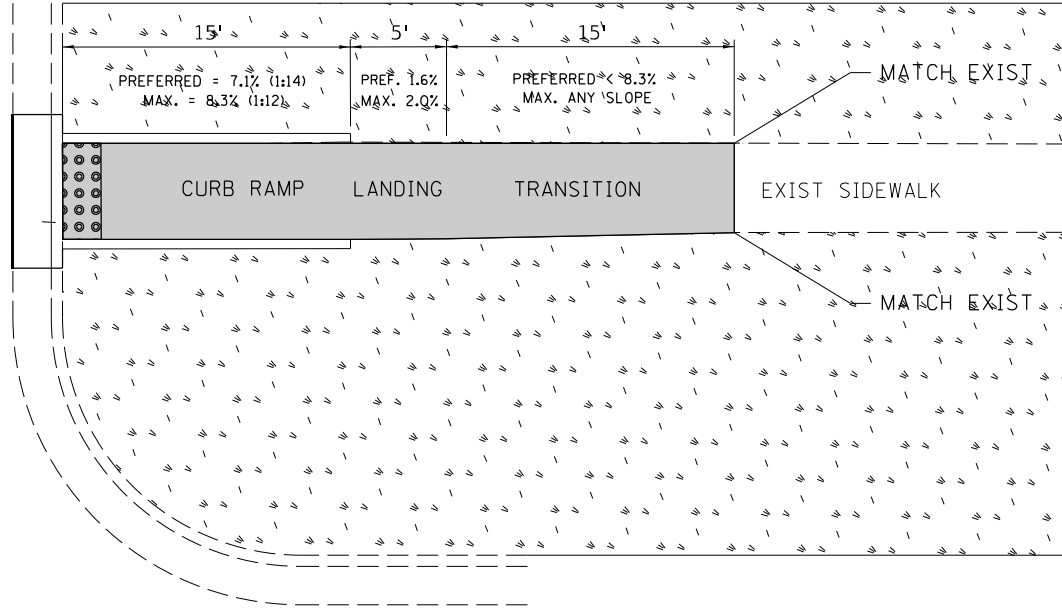
PROJECT DETAIL FOR SINGLE PERPENDICULAR CURB RAMPS
(PD-01)

SCALE: SHEET OF SHEETS STA. TO STA.

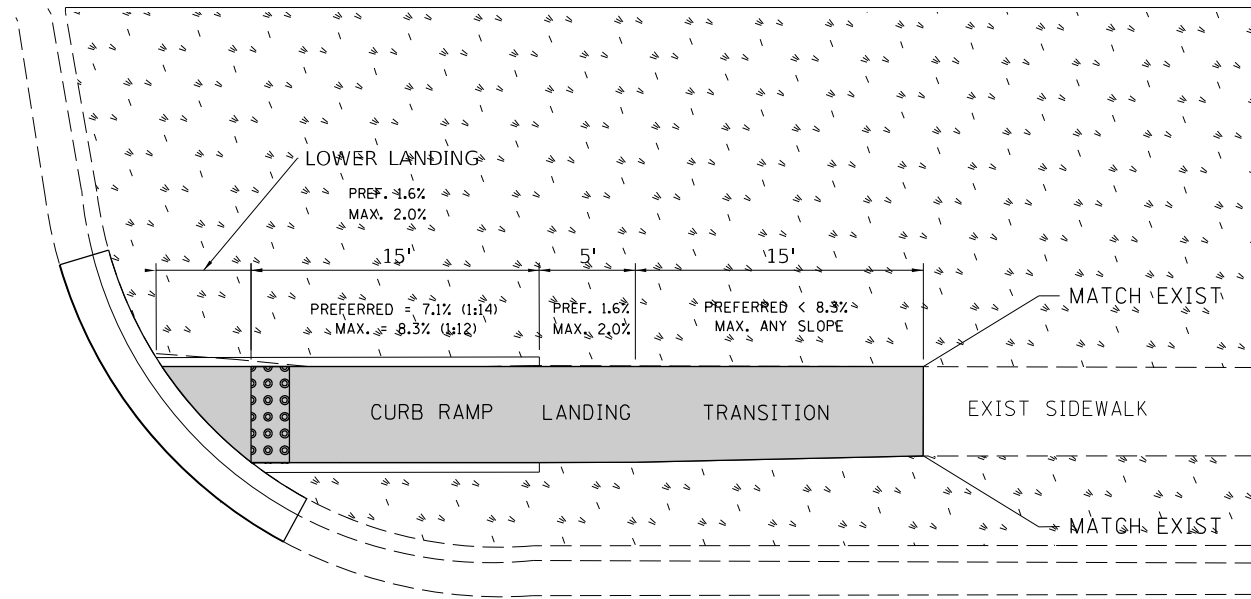
F.A.P. RTE. 322	SECTION 4,3,2,1(RS-6)	COUNTY *	TOTAL SHEETS 76	SHEET NO. 69
PD-01		CONTRACT NO. 78838		
ILLINOIS FED. AID PROJECT				

ADA DETAIL FOR SINGLE PERPENDICULAR CURB RAMPS W/ EXIST. 5% OR GREATER RUN. SLOPE

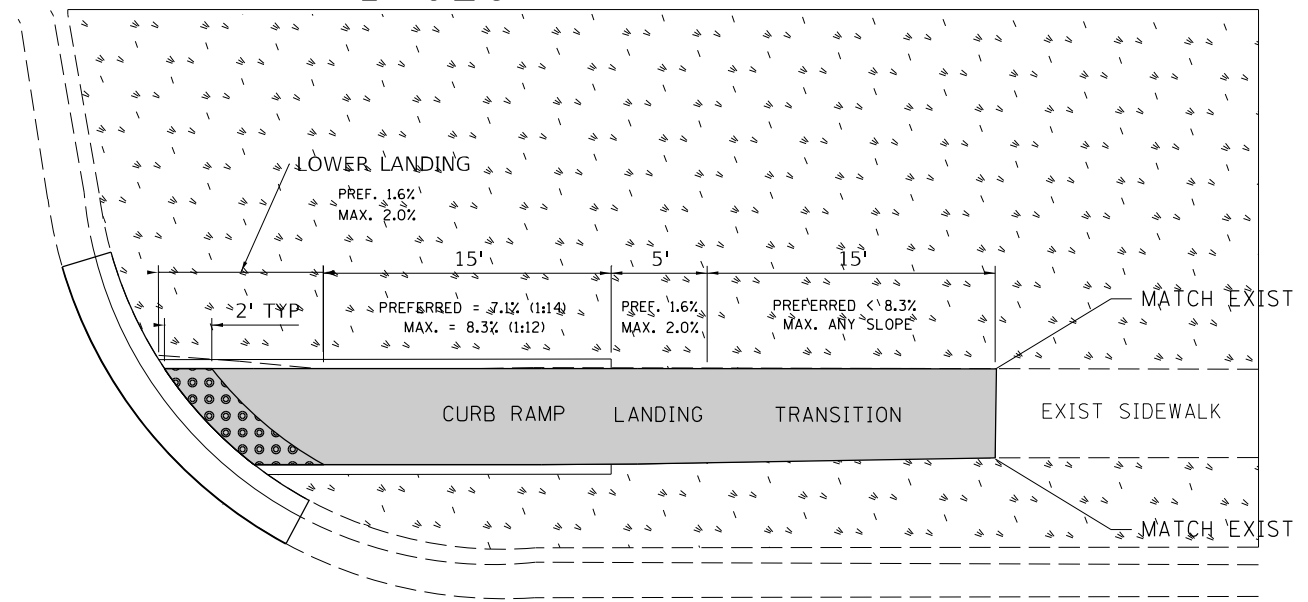
PD-02A



PD-02B



PD-02C



LEGEND

- EXIST. GRASS
- PROPOSED SIDEWALK
- DETECTABLE WARNINGS
- PROPOSED SIDE CURB

CONSTRUCTION NOTES:
1) ALL CROSS SLOPES ARE PREFERRED 1.6% (1:64), MAXIMUM 2% (1:50) EXCEPT WHEN TRANSITIONING TO EXISTING SIDEWALK

MODEL: Default
FILE NAME: p:\hammond.dwg
PROJECT: 78838 CAD Data
OFFICE: District 9
SHEET: 78838-02B.dwg

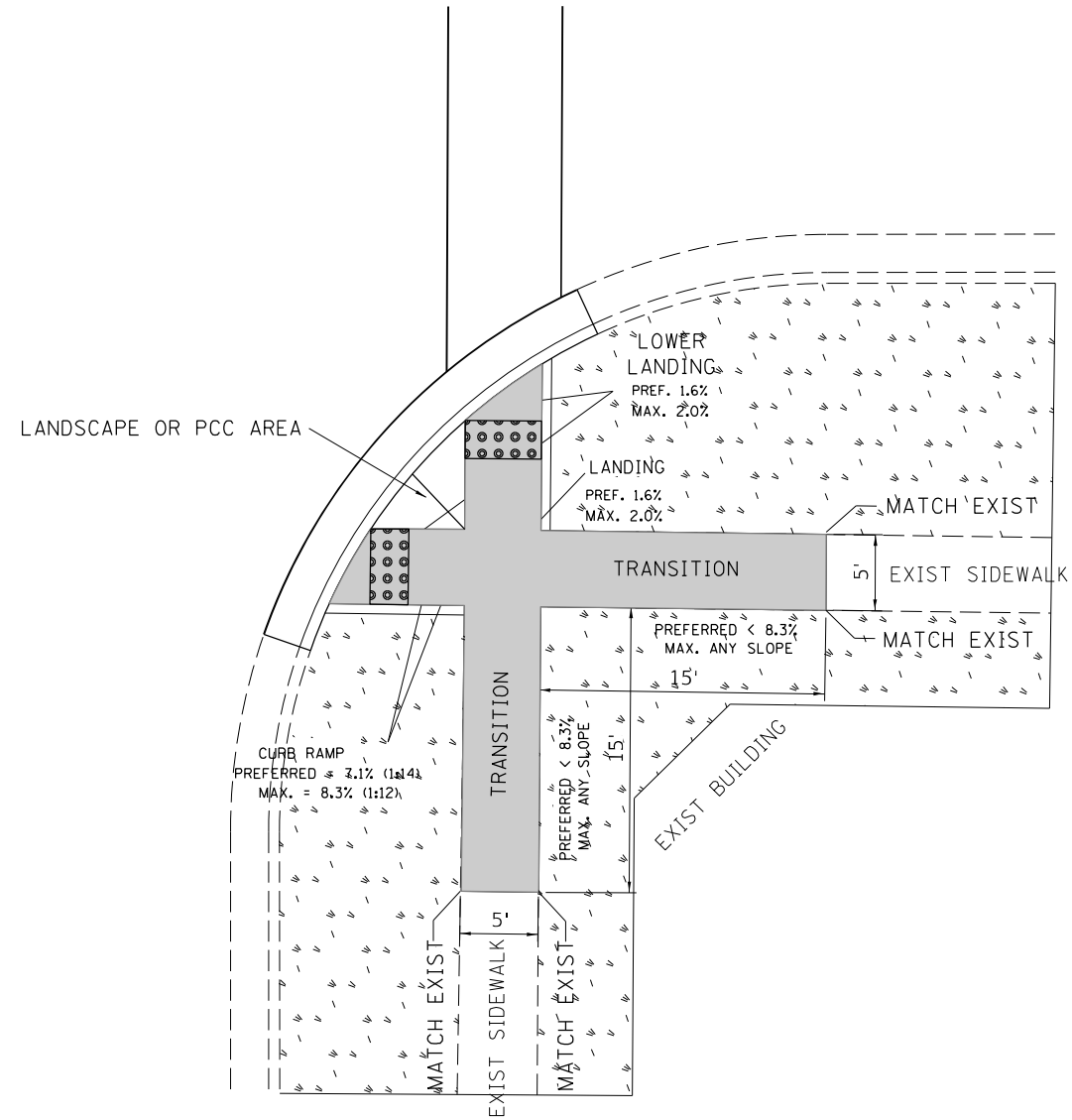
USER NAME = handycr	DESIGNED -	REVISED -
DRAWN - RL	10/2/2019	REVISED -
PLOT SCALE = 10,0000 * / in.	CHECKED -	REVISED -
PLOT DATE = 5/6/2021	DATE -	REVISED -

STATE OF ILLINOIS
DEPARTMENT OF TRANSPORTATION

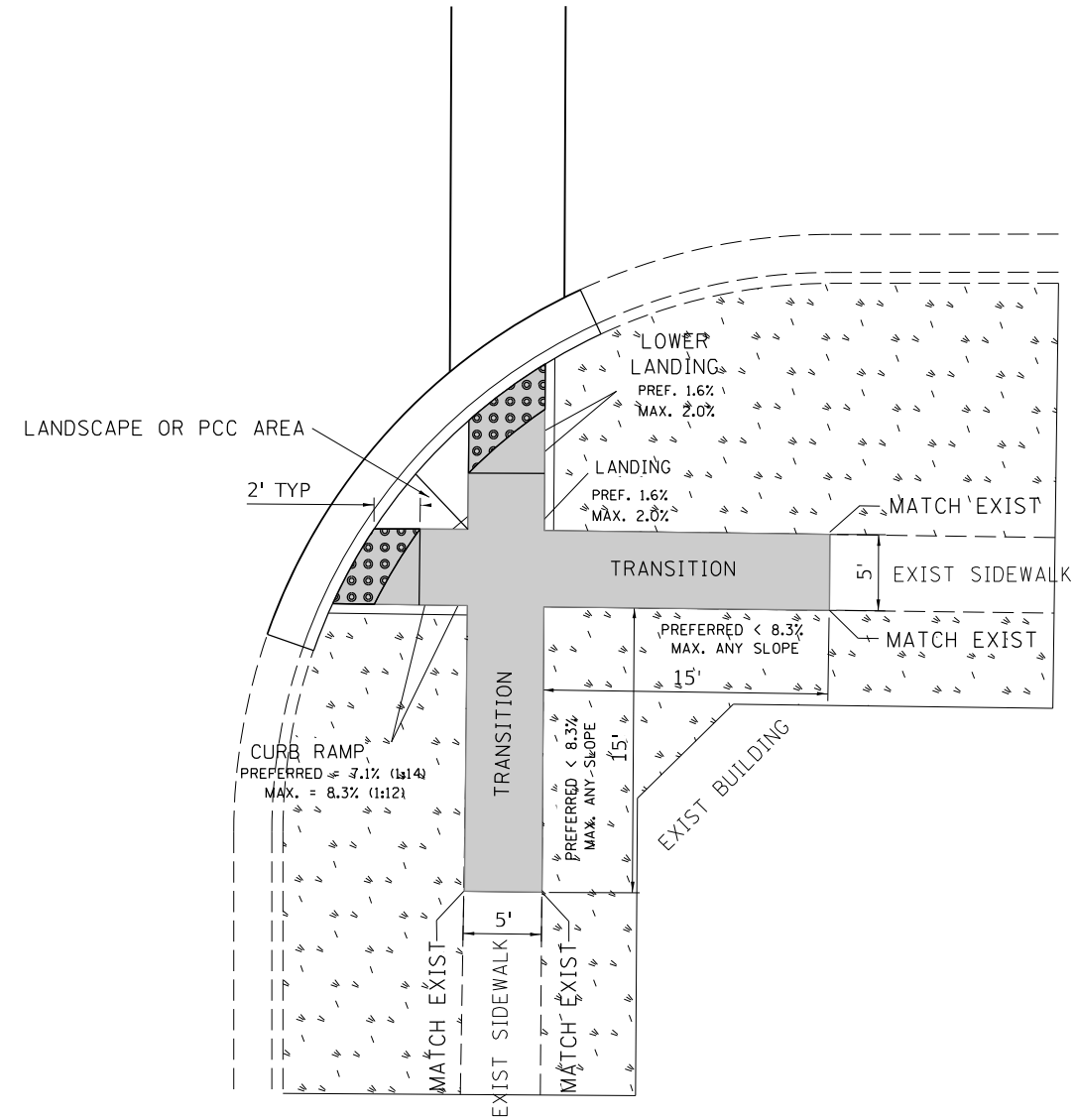
PROJECT DETAIL FOR SINGLE PERPENDICULAR CURB RAMPS (PD-02)		F.A.B. RTE. 322	SECTION 4,3,2,1(RS-6)	COUNTY *	TOTAL SHEETS 76	SHEET NO. 70
SCALE:	SHEET OF SHEETS	STA. TO STA.	CONTRACT NO. 78838			
			ILLINOIS FED. AID PROJECT			

ADA DETAIL FOR DOUBLE PERPENDICULAR CURB RAMPS

PD-03A



PD-03B



LEGEND

- PROPOSED SIDE CURB
- EXIST. GRASS
- PROPOSED SIDEWALK
- DETECTABLE WARNINGS

CONSTRUCTION NOTES:

1) ALL CROSS SLOPES ARE PREFERRED 1.6% (1:64), MAXIMUM 2% (1:50) EXCEPT WHEN TRANSITIONING TO EXISTING SIDEWALK

MODEL: Default
FILE NAME: p:\data\barroom.dat\illinois.gov\PROJECTS\DOT_Offices\District 9\Projects\78838\CADD\Drawings\DOT_Offices\District 9\Projects\78838\CADD\Drawings\DOT_Offices\District 9\Projects\78838\Plan_Sheets.dgn

USER NAME = handycr	DESIGNED -	REVISED -
DRAWN RL	10/2/2019	REVISED -
PLOT SCALE = 10,0000 * / in.	CHECKED -	REVISED -
PLOT DATE = 5/6/2021	DATE -	REVISED -

**STATE OF ILLINOIS
DEPARTMENT OF TRANSPORTATION**

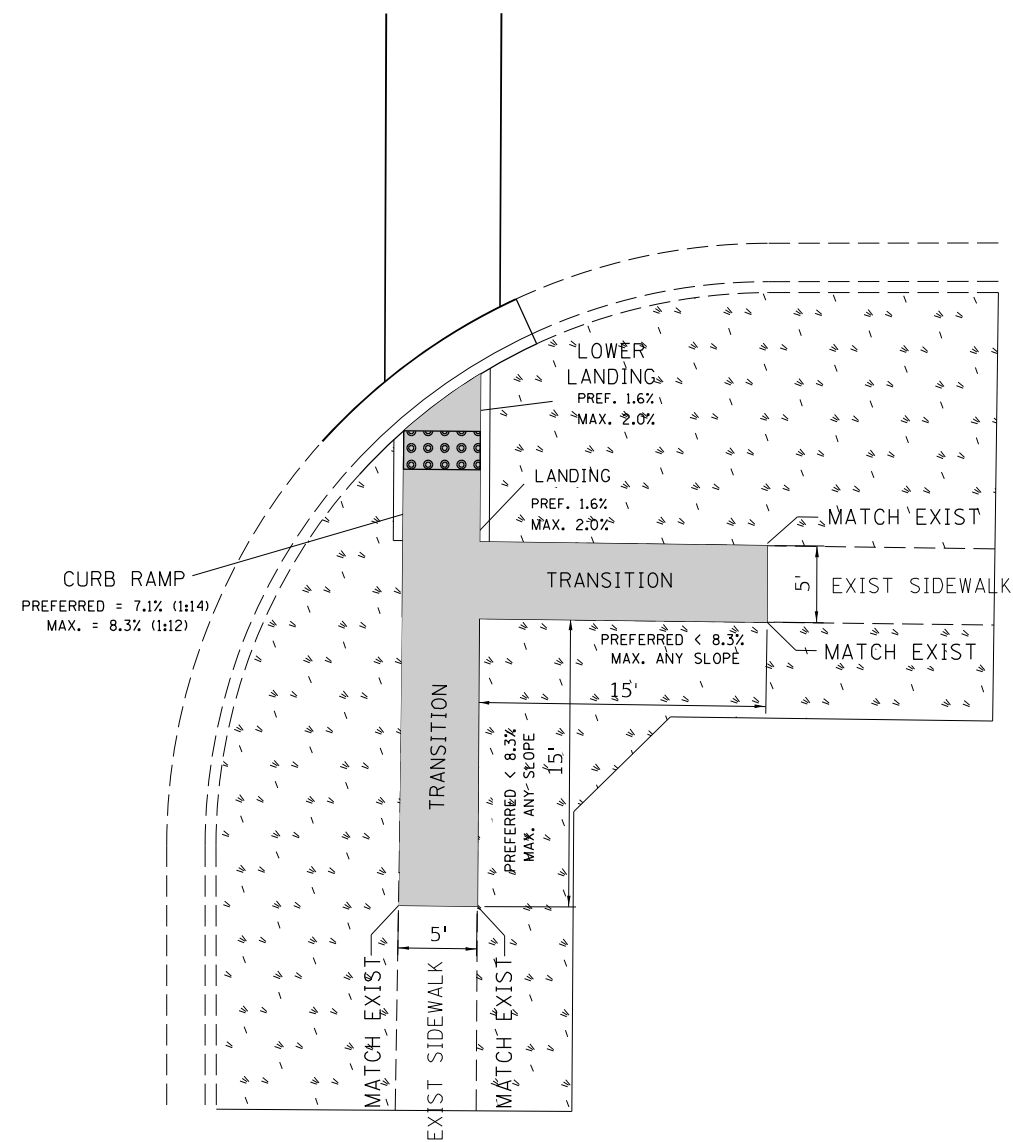
**PROJECT DETAIL FOR SINGLE PERPENDICULAR CURB RAMPS
(PD-03)**

SCALE: SHEET OF SHEETS STA. TO STA.

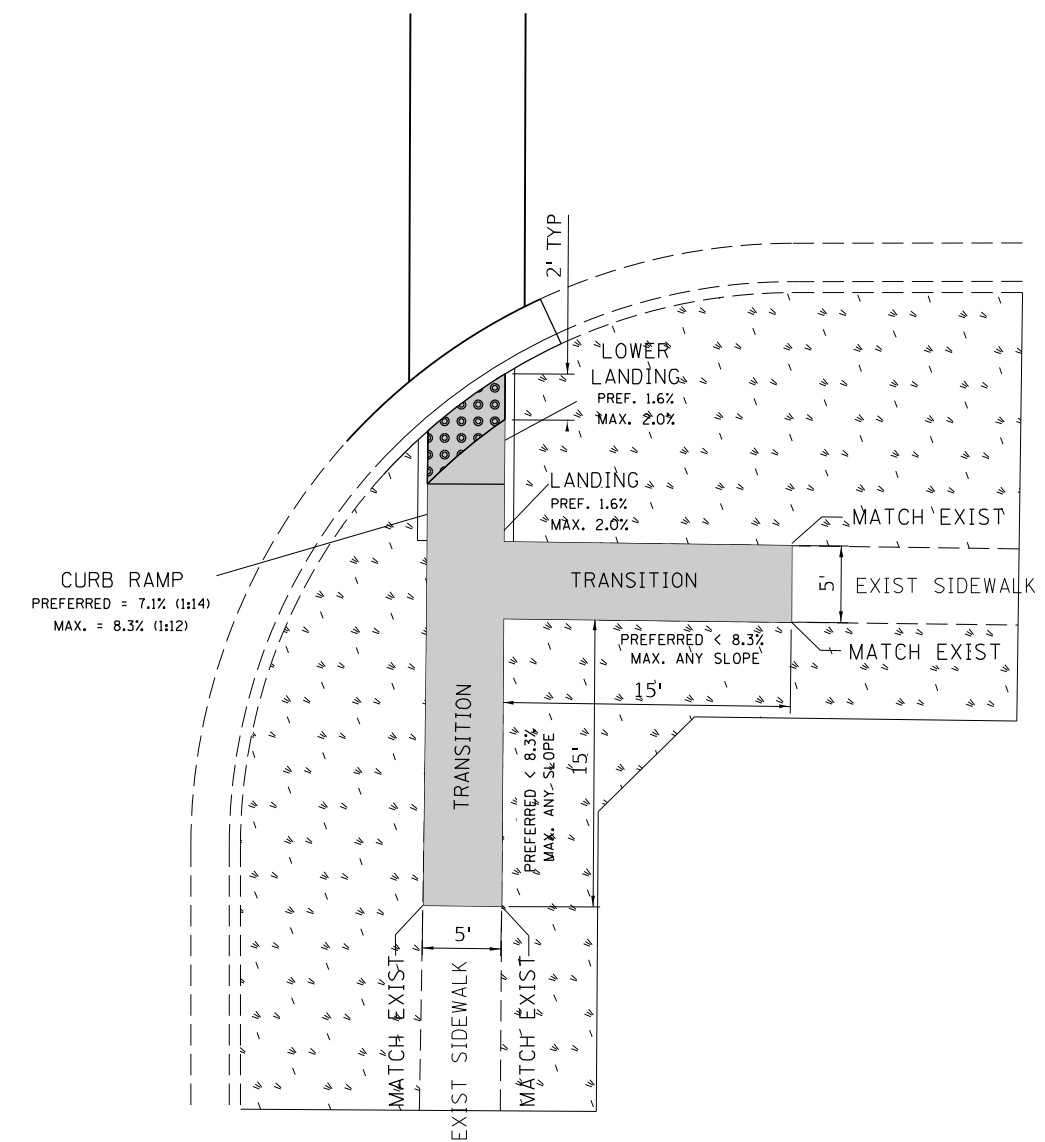
F.A.P. RTE.	SECTION	COUNTY	TOTAL SHEETS	SHEET NO.
322	4,3,2,1(RS-6)	"	76	71
PD-03		CONTRACT NO. 78838		
ILLINOIS FED. AID PROJECT				

ADA DETAIL FOR SINGLE PERPENDICULAR CURB RAMPS W/ TURNING SPACE

PD-04A



PD-04B



LEGEND

- PROPOSED SIDE CURB
- EXIST. GRASS
- PROPOSED SIDEWALK
- DETECTABLE WARNINGS

CONSTRUCTION NOTES:
 1) ALL CROSS SLOPES ARE PREFERRED 1.6% (1:64), MAXIMUM 2% (1:50) EXCEPT WHEN TRANSITIONING TO EXISTING SIDEWALK

MODEL: Default
 FILE NAME: p:\data\amr\room\dat\illinois\pwr\PROJECTS\DOT\Office\Drawings\9\Projects\78838\CADD\Drawings\DOT\Office\Drawings\9\Projects\78838\Plan_Sheets.dgn
 PROJECT: 78838

USER NAME = handycr	DESIGNED -	REVISED -	
	DRAWN - RL 10/2/2019	REVISED -	
PLOT SCALE = 10,0000 * / in.	CHECKED -	REVISED -	
PLOT DATE = 5/6/2021	DATE -	REVISED -	

**STATE OF ILLINOIS
DEPARTMENT OF TRANSPORTATION**

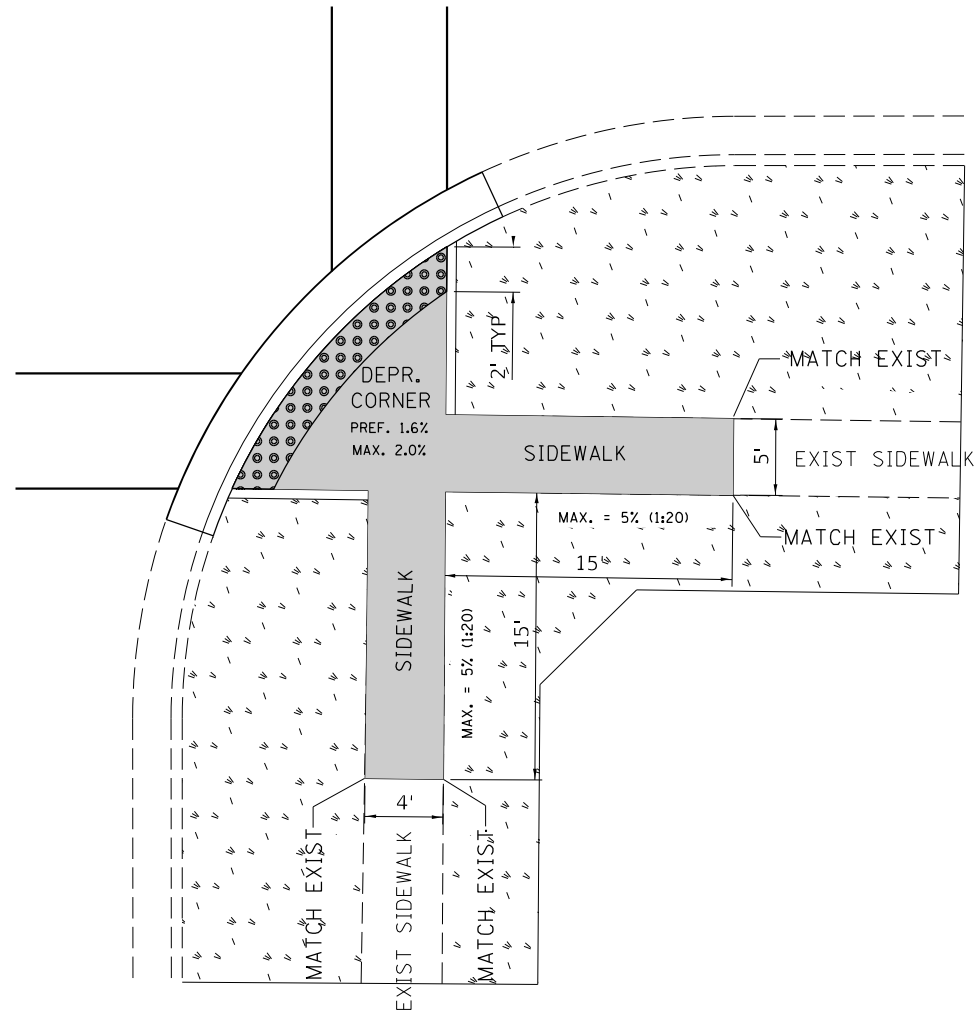
**PROJECT DETAIL FOR SINGLE PERPENDICULAR CURB RAMPS
(PD-04)**

SCALE: SHEET OF SHEETS STA. TO STA.

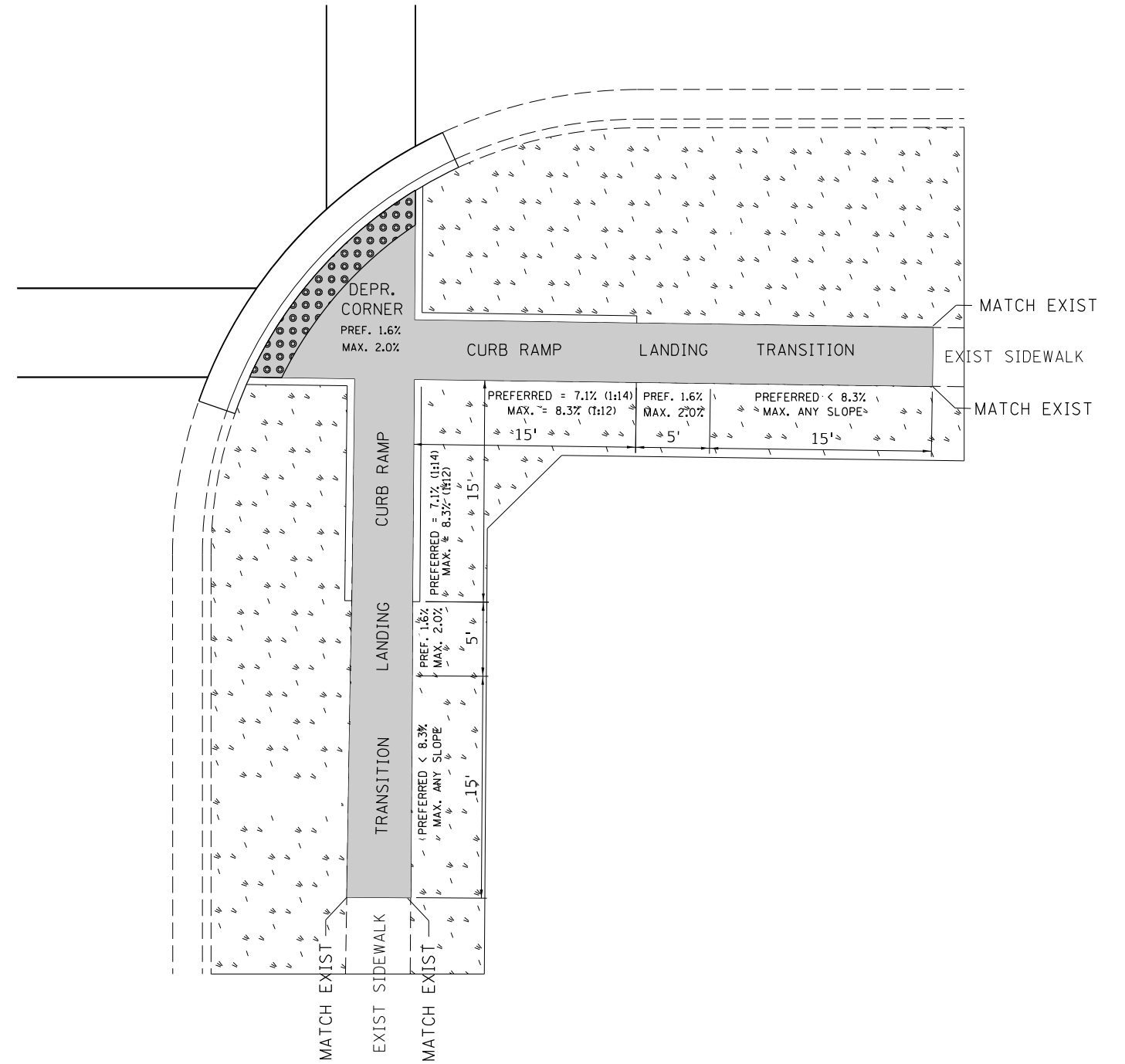
F.A.P. RTE.	SECTION	COUNTY	TOTAL SHEETS	SHEET NO.
322	4,3,2,1(RS-6)		76	72
PD-04		CONTRACT NO. 78838		
ILLINOIS FED. AID PROJECT				

ADA DETAIL FOR DEPRESSED CORNER CURB RAMPS

PD-05A



PD-05B



LEGEND

- PROPOSED SIDE CURB
- EXIST. GRASS
- PROPOSED SIDEWALK
- DETECTABLE WARNINGS

CONSTRUCTION NOTES:

1) ALL CROSS SLOPES ARE PREFERRED 1.6% (1:64), MAXIMUM 2% (1:50) EXCEPT WHEN TRANSITIONING TO EXISTING SIDEWALK

MODEL: Default
FILE NAME: p:\data\baronm.dwg
PROJECT: 78838-CA00DataCAD\Projects\DOT - Office\Drawings\78838-Plan_Sheets.dwg

USER NAME = handycr	DESIGNED -	REVISED -	
	DRAWN - RL 10/2/2019	REVISED -	
PLOT SCALE = 10,0000 * / in.	CHECKED -	REVISED -	
PLOT DATE = 5/6/2021	DATE -	REVISED -	

**STATE OF ILLINOIS
DEPARTMENT OF TRANSPORTATION**

**PROJECT DETAIL FOR SINGLE PERPENDICULAR CURB RAMPS
(PD-05)**

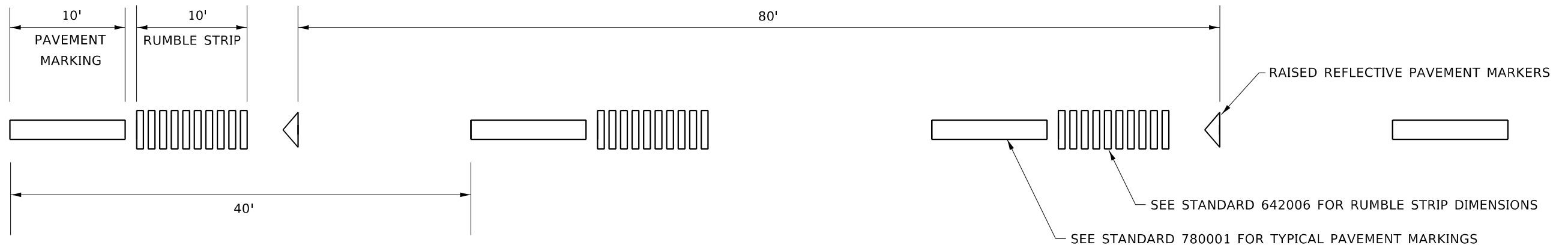
SCALE: SHEET OF SHEETS STA. TO STA.

F.A.P. RTE.	SECTION	COUNTY	TOTAL SHEETS	SHEET NO.
322	4,3,2,1(RS-6)		76	73
PD-05			CONTRACT NO. 78838	

ILLINOIS FED. AID PROJECT

JACKSON / PERRY

CENTERLINE RUMBLE STRIP DETAIL



MODEL: Default
 FILE NAME: p:\pub\mroom.dwg
 PROJECT: 78838\CAD\Drawings\DOT_Offices\Drawings\9\Projects\78838\CAD\Drawings\DOT\78838.dwg - Sheets.dwg

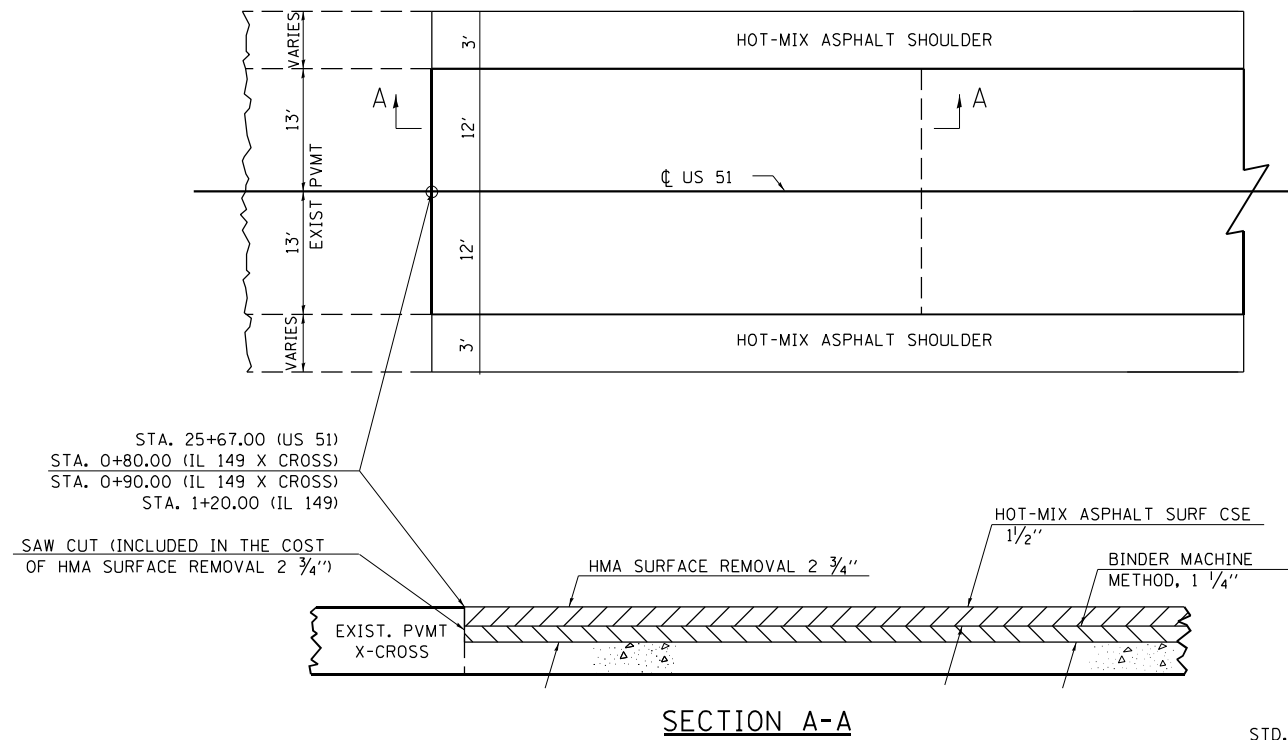
REVISIONS	
DRAWN	01-08-19
REVISED	
REVISED	
REVISED	

STD. 9-63

USER NAME = handycr PLOT SCALE = 100,0000' / in. PLOT DATE = 5/6/2021	DESIGNED - DRAWN - CHECKED - DATE -	REVISED - REVISED - REVISED - REVISED -	STATE OF ILLINOIS DEPARTMENT OF TRANSPORTATION	US 51 INLAY & HMA TRANSITION	SCALE: SHEET OF SHEETS STA. TO STA.	<table border="1" style="font-size: small;"> <tr> <th>F.A.P. RTE.</th> <th>SECTION</th> <th>COUNTY</th> <th>TOTAL SHEETS</th> <th>SHEET NO.</th> </tr> <tr> <td>322</td> <td>4,3,2,1(RS-6)</td> <td>JACKSON/PERRY</td> <td>76</td> <td>74</td> </tr> <tr> <td colspan="5" style="text-align: center;">CONTRACT NO. 78838</td> </tr> </table>	F.A.P. RTE.	SECTION	COUNTY	TOTAL SHEETS	SHEET NO.	322	4,3,2,1(RS-6)	JACKSON/PERRY	76	74	CONTRACT NO. 78838				
F.A.P. RTE.	SECTION	COUNTY	TOTAL SHEETS	SHEET NO.																	
322	4,3,2,1(RS-6)	JACKSON/PERRY	76	74																	
CONTRACT NO. 78838																					
ILLINOIS FED. AID PROJECT																					

**US 51 / IL 149 / RAILCROSS
INLAY DETAIL**

N.T.S.

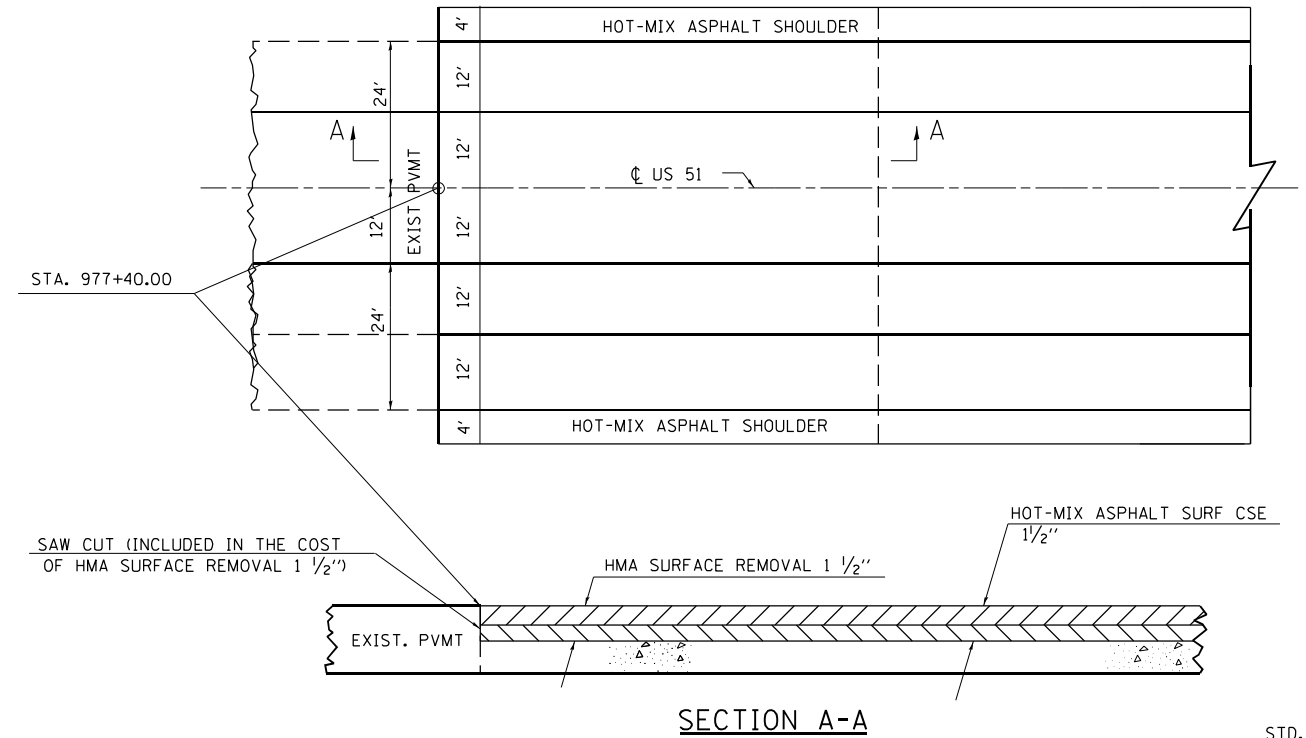


REVISIONS	
DRAWN	11-11-20
REVISED	
REVISED	
REVISED	

STD. 9-118

**US 51
INLAY DETAIL AT END OF PROJECT**

N.T.S.

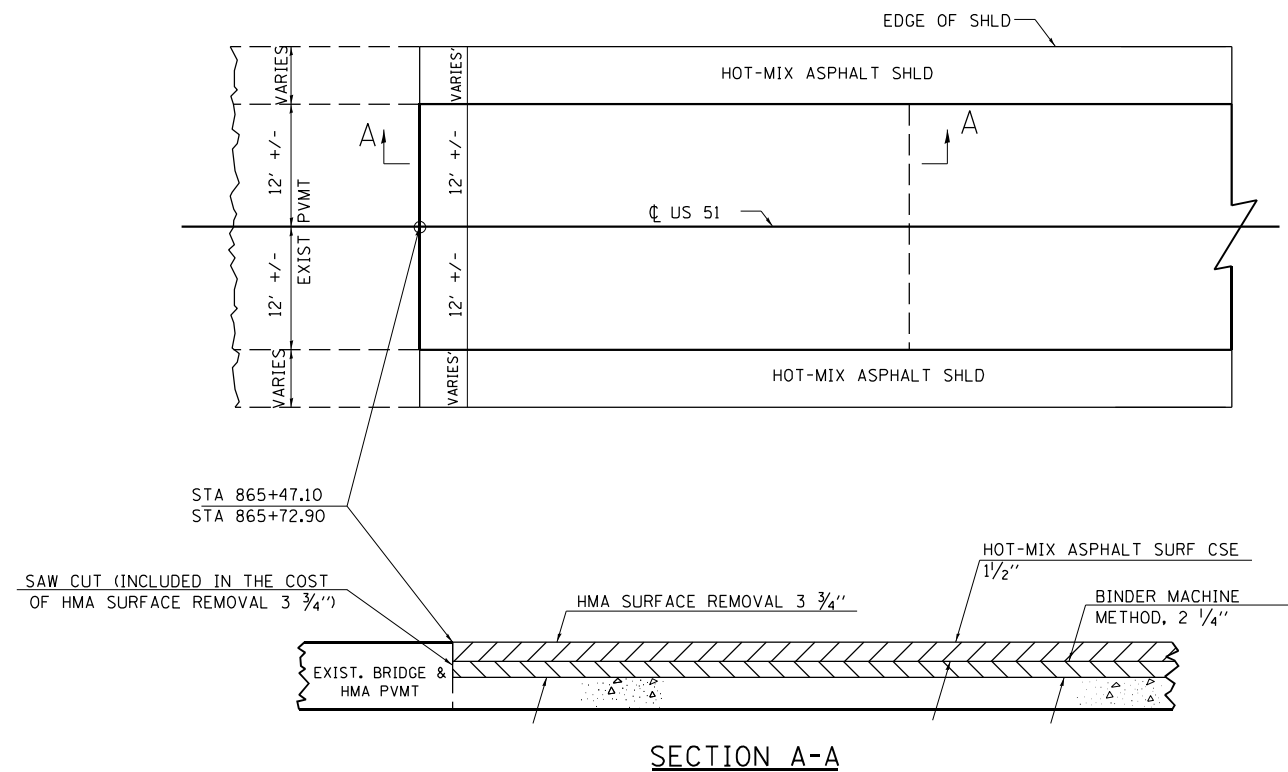


REVISIONS	
DRAWN	11-11-20
REVISED	
REVISED	
REVISED	

STD. 9-118

INLAY MILLING DETAIL AT BRIDGES

N.T.S.

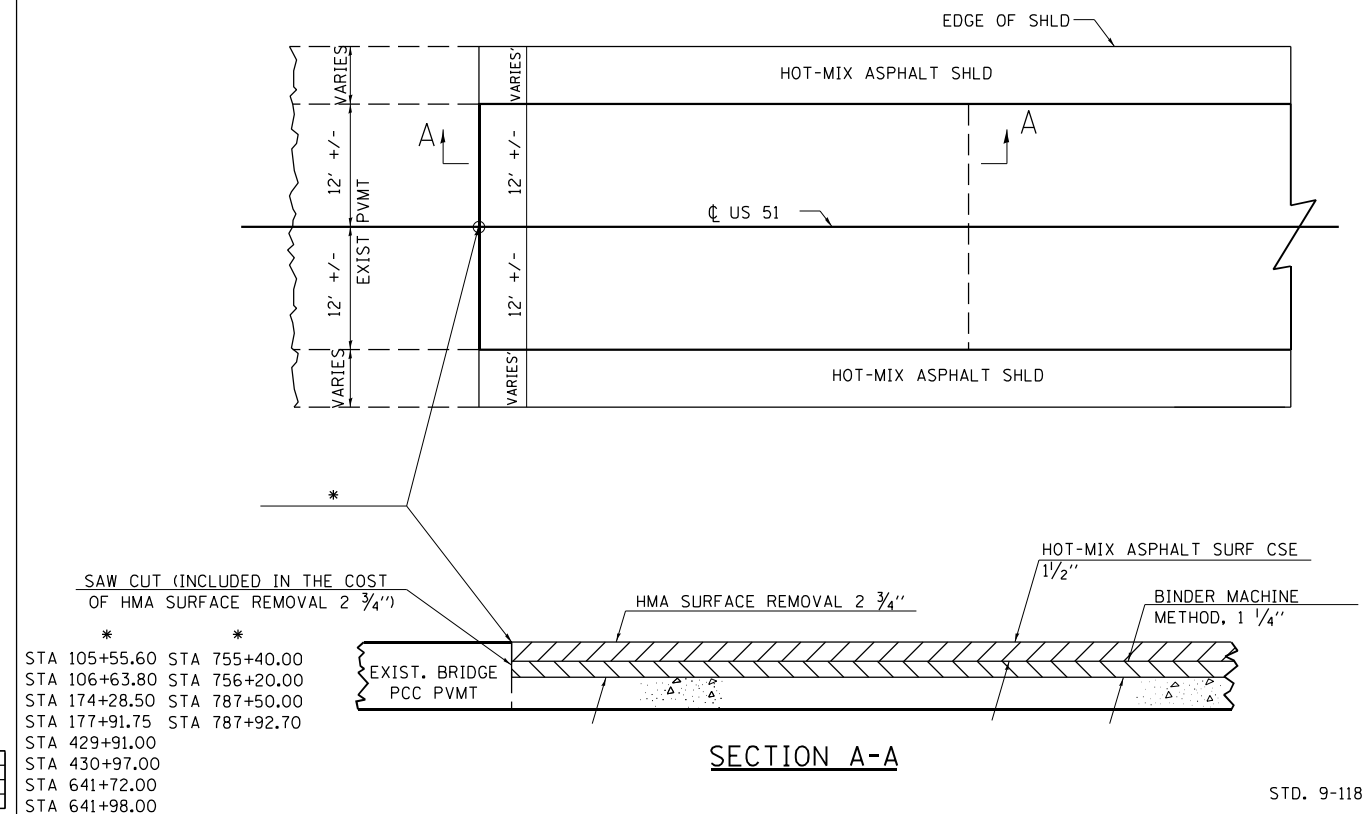


REVISIONS	
DRAWN	11-11-20
REVISED	
REVISED	
REVISED	

STD. 9-118

INLAY MILLING DETAIL AT BRIDGES

N.T.S.



REVISIONS	
DRAWN	11-11-20
REVISED	
REVISED	
REVISED	

STD. 9-118

**STATE OF ILLINOIS
DEPARTMENT OF TRANSPORTATION**

**US 51
HMA INLAY DETAIL**

SCALE: SHEET OF SHEETS STA. TO STA.

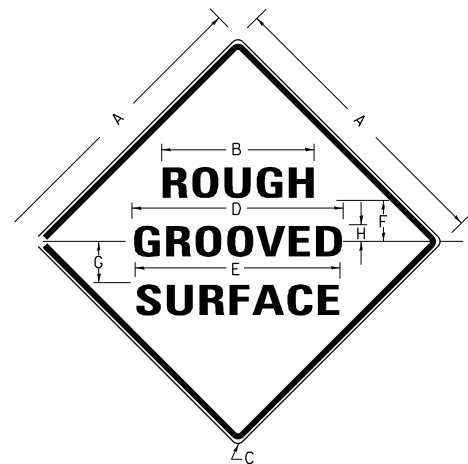
F.A.P. RTE.	SECTION	COUNTY	TOTAL SHEETS	SHEET NO.
322	4,3,2,1(RS-6)	JACKSON/PERRY	76	75
CONTRACT NO. 78838				
ILLINOIS FED. AID PROJECT				

MODEL: Default
FILE NAME: p:\pub\mtr\000\dot\illinc\dot\p\p\DOT\Documents\DOT Office\Drawings\9\Projects\78838\CADD\Drawings\9\78838\Plan_Sheets.dgn

USER NAME = handycr	DESIGNED -	REVISED -	P
PLOT SCALE = 100,0000' / in.	DRAWN -	REVISED -	
PLOT DATE = 5/6/2021	CHECKED -	REVISED -	
	DATE -	REVISED -	

ILLINOIS STANDARD

W8-I106



COLORS:

LEGEND AND BORDER- BLACK NON-REFLECTORIZED
BACKGROUND- ORANGE REFLECTORIZED

SIGN SIZE	DIMENSIONS							
	A	B	C	D	E	F	G	H
48X48	48.0	24.1	3.0	34.0	33.0	6.0	13.0	3.5

SIGN SIZE	SERIES LINES			MAR-GIN	BOR-DER	BLANK STD.
	1	2	3			
48X48	7C	7C	7C	0.8	1.2	B4-48D

ALL DIMENSIONS IN INCHES

NOTES:

PRIOR TO ALLOWING TRAFFIC ON ANY PORTION OF THE ROADWAY THAT HAS BEEN COLDMILLED, THE CONTRACTOR SHALL HAVE ERECTED "ROUGH GROOVED SURFACE" SIGNS THAT CONFORM TO THE ABOVE DETAILS. A MINIMUM OF ONE SIGN AT EACH END OF THE IMPROVEMENT WILL BE REQUIRED. THE CONTRACTOR SHALL MAINTAIN THE "ROUGH GROOVED SURFACE" SIGNS UNTIL THE COLDMILLED SURFACE IS COVERED WITH LEVELING BINDER OR SURFACE COURSE.

IF AT ANY TIME THE SIGNS ARE IN PLACE BUT NOT APPLICABLE, THEY SHALL BE TURNED FROM THE VIEW OF MOTORISTS OR COVERED AS DIRECTED BY THE ENGINEER.

THE COST OF FURNISHING, ERECTING, MAINTAINING, AND REMOVING THE REQUIRED SIGNS SHALL BE INCLUDED IN THE CONTRACT.

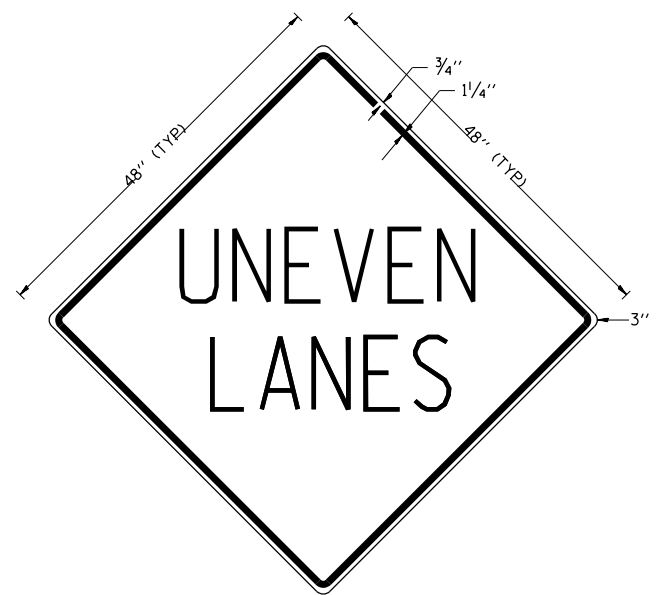
REVISIONS

REDRAWN	2-15-89
REVISED	4-6-93
REVISED	3-27-08
REVISED	

STD. 9-39

UNEVEN LANES SIGN

W8-11 (48" (TYP) x 48" (TYP))



COLORS:

LEGEND AND BORDER - BLACK NON-REFLECTORIZED
BACKGROUND - ORANGE REFLECTORIZED

NOTE: PRIOR TO ALLOWING TRAFFIC ON ANY PORTION OF THE ROADWAY THAT HAS BEEN COLDMILLED OR BEFORE RESURFACING OPERATIONS BEGIN, THE CONTRACTOR SHALL HAVE ERECTED "UNEVEN PAVEMENT" SIGNS THAT CONFORM TO THE ABOVE DETAILS. A MINIMUM OF ONE SIGN AT EACH END OF THE IMPROVEMENT WILL BE REQUIRED. THE CONTRACTOR SHALL MAINTAIN THE "UNEVEN PAVEMENT" SIGNS UNTIL THE RESURFACING OPERATIONS ARE COMPLETED.

IF AT ANY TIME THE SIGNS ARE IN PLACE BUT NOT APPLICABLE, THEY SHALL BE TURNED FROM THE VIEW OF MOTORISTS OR COVERED AS DIRECTED BY THE ENGINEER.

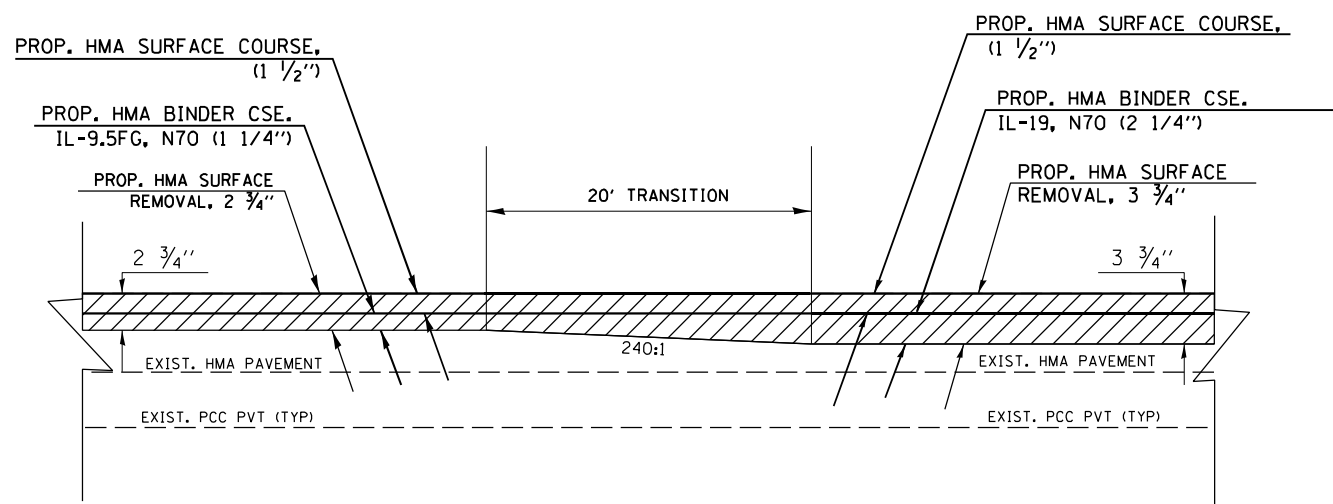
THE COST OF FURNISHING, ERECTING, MAINTAINING, AND REMOVING THE REQUIRED SIGNS SHALL BE INCLUDED IN THE CONTRACT.

REVISIONS

DRAWN	2-15-89
REVISED	4-06-93
REDESIGNED	
RESIZED	

STD. 9-41

**US 51
DETAIL FOR HMA TRANSITION**



TO BE USED:

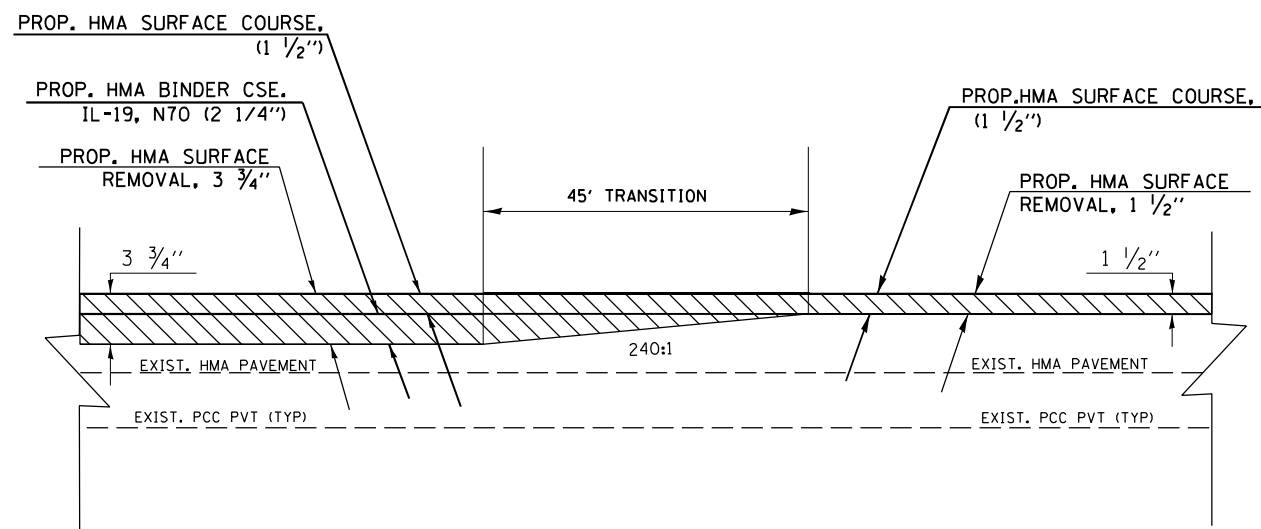
STA 803+42.00 TO 803+62.00 (PERRY COUNTY LINE)

REVISIONS

DRAWN	11-11-20
REVISED	
REVISED	
REVISED	

STD. 9-118

**US 51
DETAIL FOR HMA TRANSITION**



TO BE USED:

STA 871+27.41 TO 871+72.41

REVISIONS

DRAWN	02-22-21
REVISED	
REVISED	
REVISED	

STD. 9-118

MODEL: Default
FILE NAME: \\p01h1am000\dot\illinois\dot\Office\Drawings\9\Projects\78838\CADD\Drawings\9\78838\Plan_Sheets.dgn

USER NAME = handyc	DESIGNED -	REVISED -
PLOT SCALE = 100,0000' / in.	DRAWN -	REVISED -
PLOT DATE = 5/6/2021	CHECKED -	REVISED -
	DATE -	REVISED -

**STATE OF ILLINOIS
DEPARTMENT OF TRANSPORTATION**

**ROUGH GROOVED SURFACE & UNEVEN DETAILS
HMA TRANSITION**

SCALE: SHEET OF SHEETS STA. TO STA.

F.A.P. RTE.	SECTION	COUNTY	TOTAL SHEETS	SHEET NO.
322	4,3,2,1(RS-6)	JACKSON/PERRY	76	76
CONTRACT NO. 78838				
ILLINOIS FED. AID PROJECT				