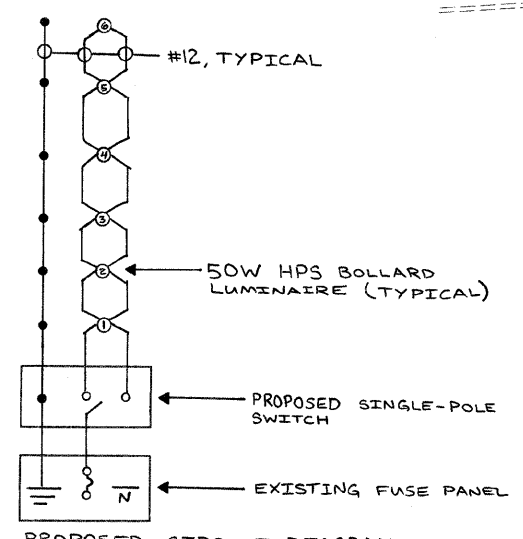
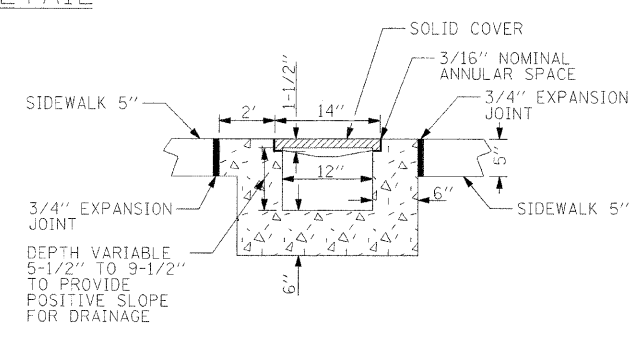


NOTE:
STATIONING IS WITH RESPECT TO DAVIS AVE. SEE SHEET 4.

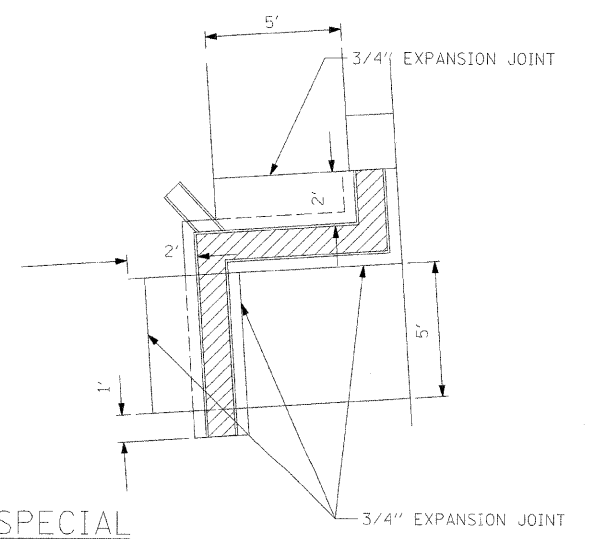


PROPOSED CIRCUIT DIAGRAM

VISITOR'S CENTER DETAIL
1" = 10'



TRENCH DRAIN, SPECIAL
NOT TO SCALE



FILE NAME = #FILE#	USER NAME = #USER#	DESIGNED - R.H.D	REVISED -
		DRAWN - J.H.F.	REVISED -
		CHECKED - T.T.P.	REVISED -
		DATE - 2/24/09	REVISED -

**STATE OF ILLINOIS
DEPARTMENT OF TRANSPORTATION**

**DETAILS
DAVID DAVIS STATE HISTORIC SITE**

SCALE: 1" = 20' SHEET NO. 5 OF 7 SHEETS STA. TO STA.

F.A. RTE.	SECTION	COUNTY	TOTAL SHEETS	SHEET NO.
		MCLEAN	7	5
FED. ROAD DIST. NO.		ILLINOIS FED. AID PROJECT		CONTRACT NO. 46027

JOB NO. 250-061-L VASCONCELLES ENGINEERING CORP. DESIGN FIRM REGISTRATION NUMBER 184-002107